



US00D936755S

(12) **United States Design Patent**  
**Khubani**

(10) **Patent No.:** **US D936,755 S**

(45) **Date of Patent:** **\*\* Nov. 23, 2021**

(54) **TOY RACE CAR**

(71) Applicant: **Ontel Products Corporation**, Fairfield, NJ (US)

(72) Inventor: **Ashok Khubani**, Palm Beach Gardens, FL (US)

(73) Assignee: **ONTEL PRODUCTS CORPORATION**, Fairfield, NJ (US)

(\*\*) Term: **15 Years**

(21) Appl. No.: **29/721,044**

(22) Filed: **Jan. 17, 2020**

(51) **LOC (13) Cl.** ..... **21-01**

(52) **U.S. Cl.**  
USPC ..... **D21/549**

(58) **Field of Classification Search**  
USPC ..... D21/424, 434, 433, 548, 549, 552, 554,  
D21/580, 559, 581, 533, 550; D12/92,  
D12/86, 90, 91, 88, 164  
See application file for complete search history.

(56) **References Cited**

U.S. PATENT DOCUMENTS

D534,592 S \* 1/2007 Hill ..... D21/548  
D718,667 S \* 12/2014 Manzoni ..... D12/92  
D756,847 S \* 5/2016 Nicoghosian ..... D12/88  
D852,899 S \* 7/2019 Langberg ..... D21/548

D870,823 S \* 12/2019 Manzoni ..... D21/548  
D908,814 S \* 1/2021 Wozniak ..... D21/548  
D913,845 S \* 3/2021 Cattabriga ..... D12/86  
D922,244 S \* 6/2021 Biancalana ..... D11/125  
D926,891 S \* 8/2021 Khubani ..... D21/549  
D928,891 S \* 8/2021 Manzoni ..... D21/548

\* cited by examiner

*Primary Examiner* — Khawaja Anwar

*Assistant Examiner* — Julice Seung Eun Oum

(74) *Attorney, Agent, or Firm* — Dickinson Wright PLLC

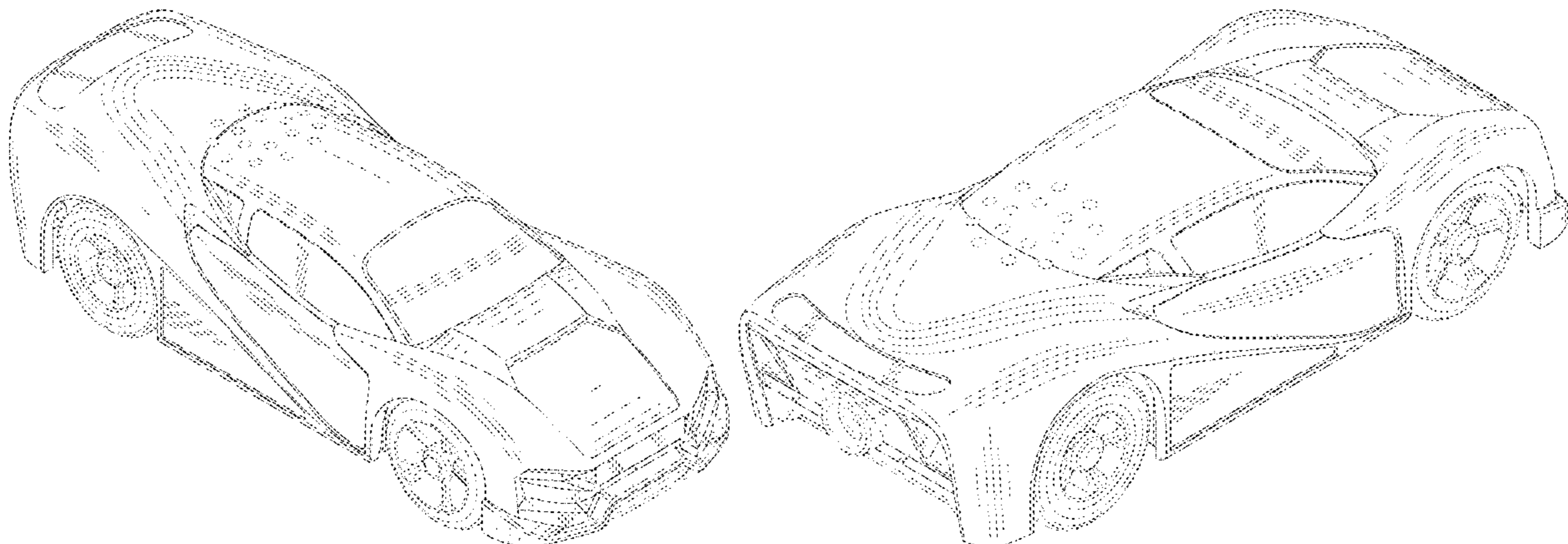
(57) **CLAIM**

The ornamental design for a toy race car, as shown and described.

**DESCRIPTION**

FIG. 1 is a top, front perspective view of the toy race car, showing our new design;  
FIG. 2 is a top, rear perspective view of the toy race car;  
FIG. 3 is a front view of the toy race car;  
FIG. 4 is a rear view of the toy race car;  
FIG. 5 is a right side view of the toy race car;  
FIG. 6 is a left side view of the toy race car;  
FIG. 7 is a top view of the toy race car; and,  
FIG. 8 is a bottom view of the toy race car.  
The broken lines in the drawings illustrate portions of the toy race car that form no part of the claimed design.

**1 Claim, 7 Drawing Sheets**



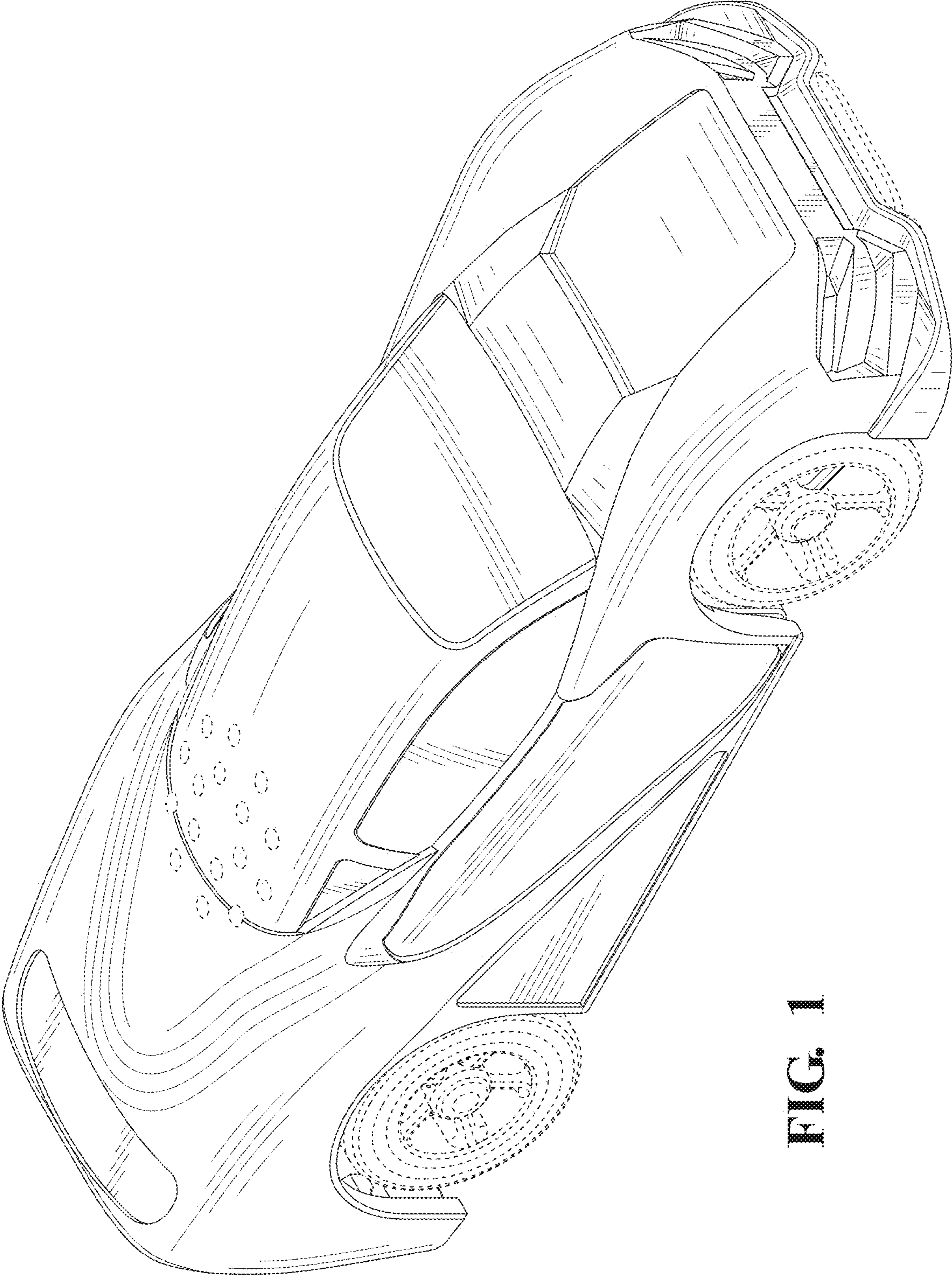


FIG. 1

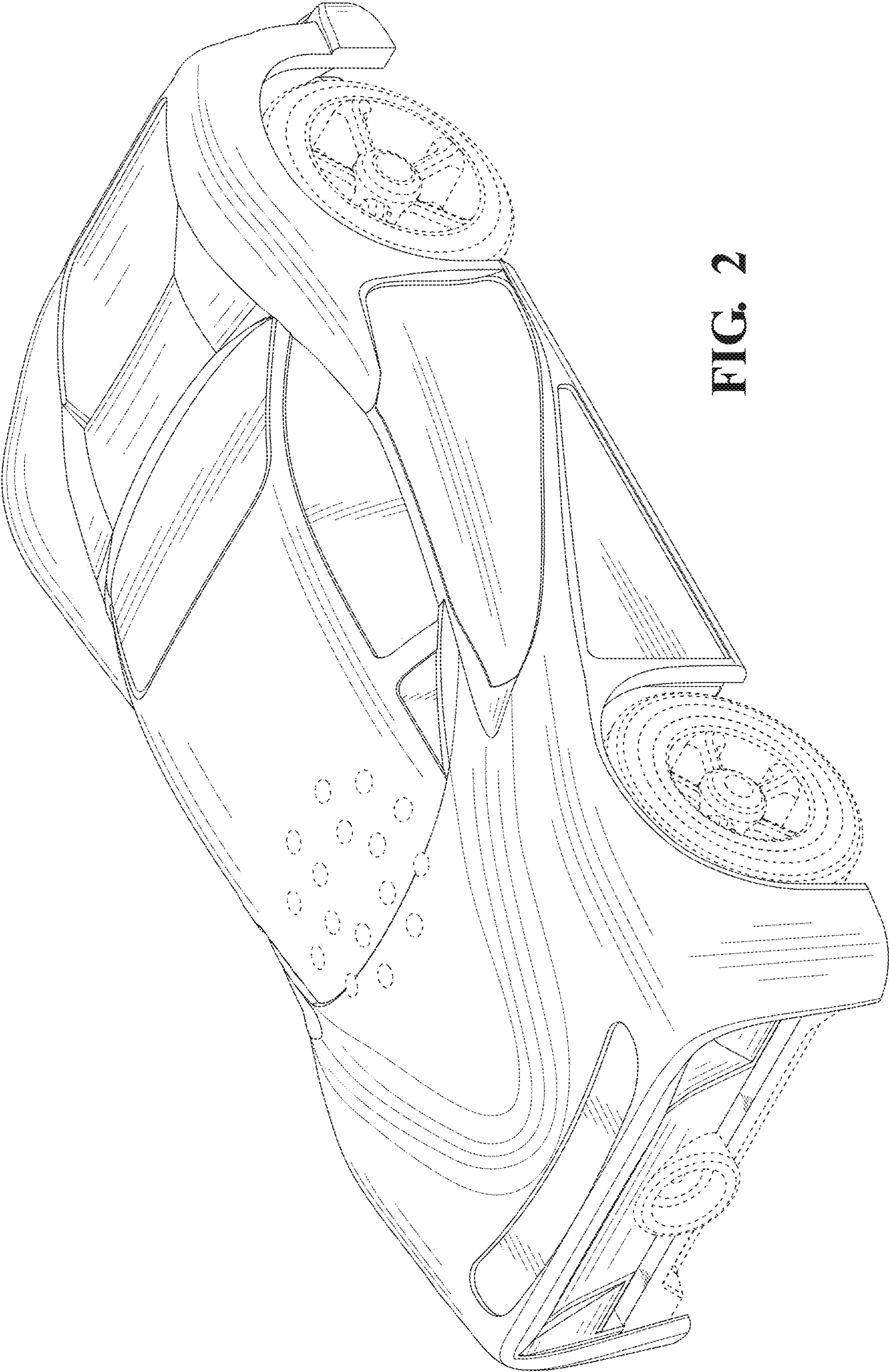
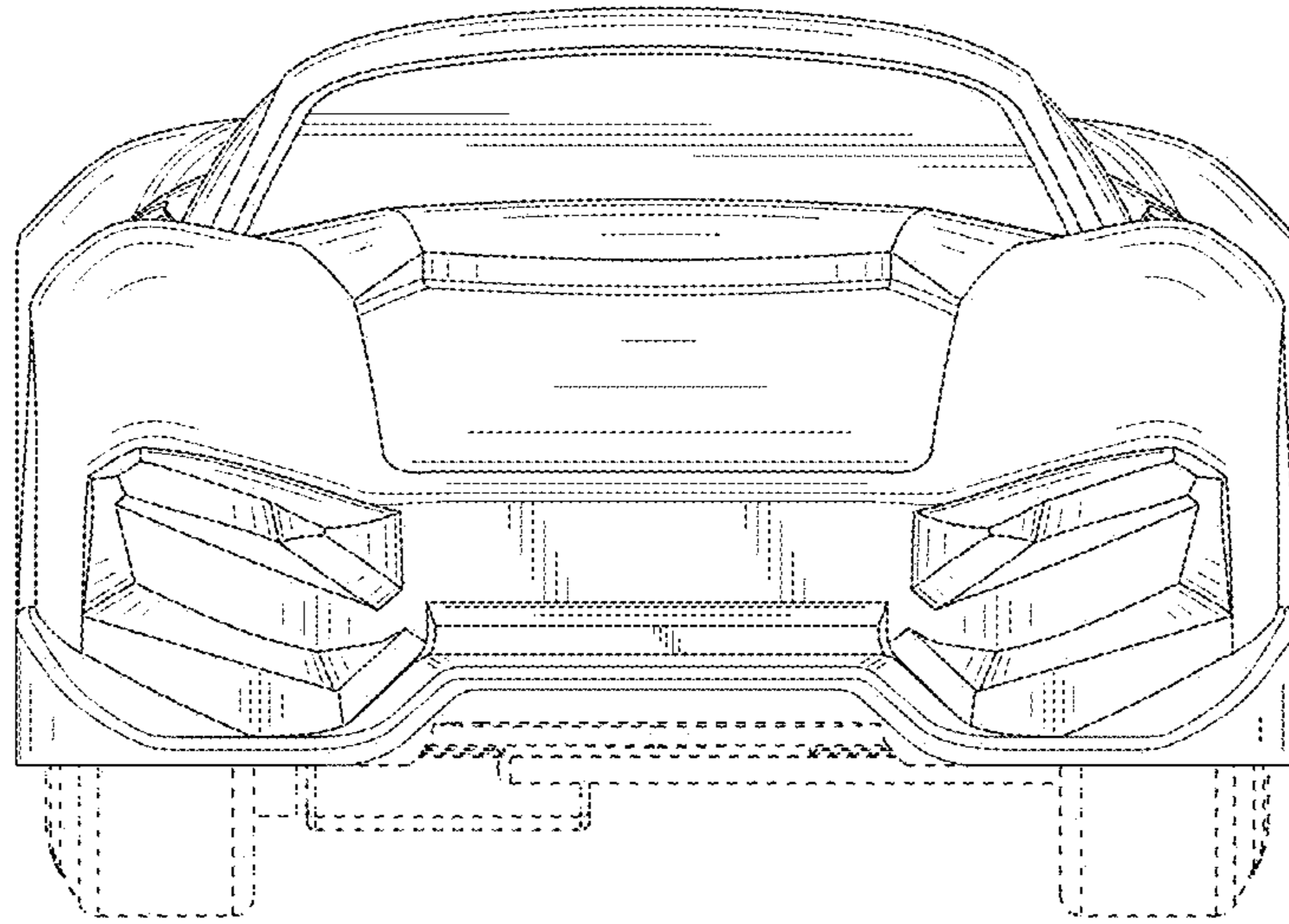
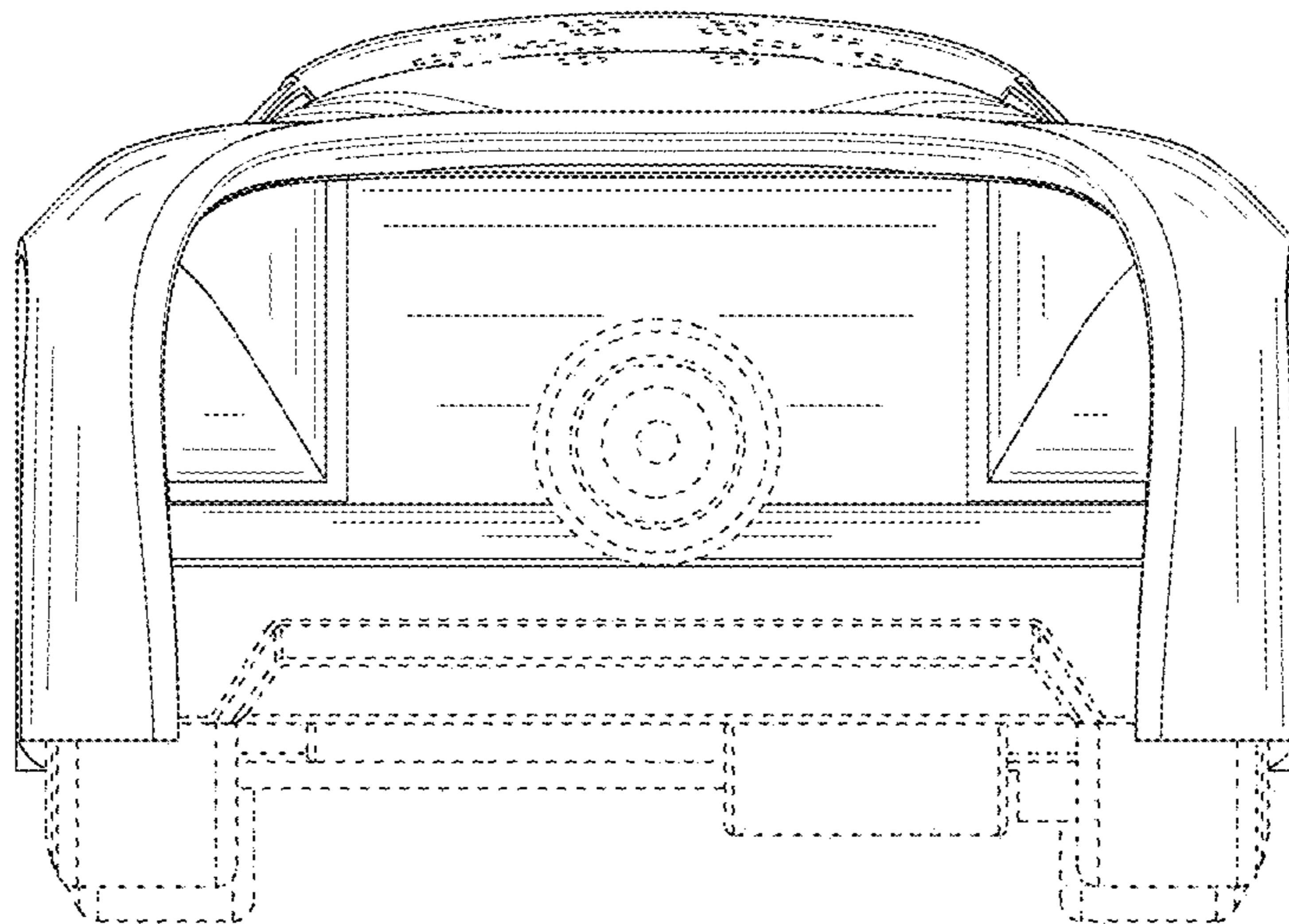


FIG. 2



**FIG. 3**



**FIG. 4**

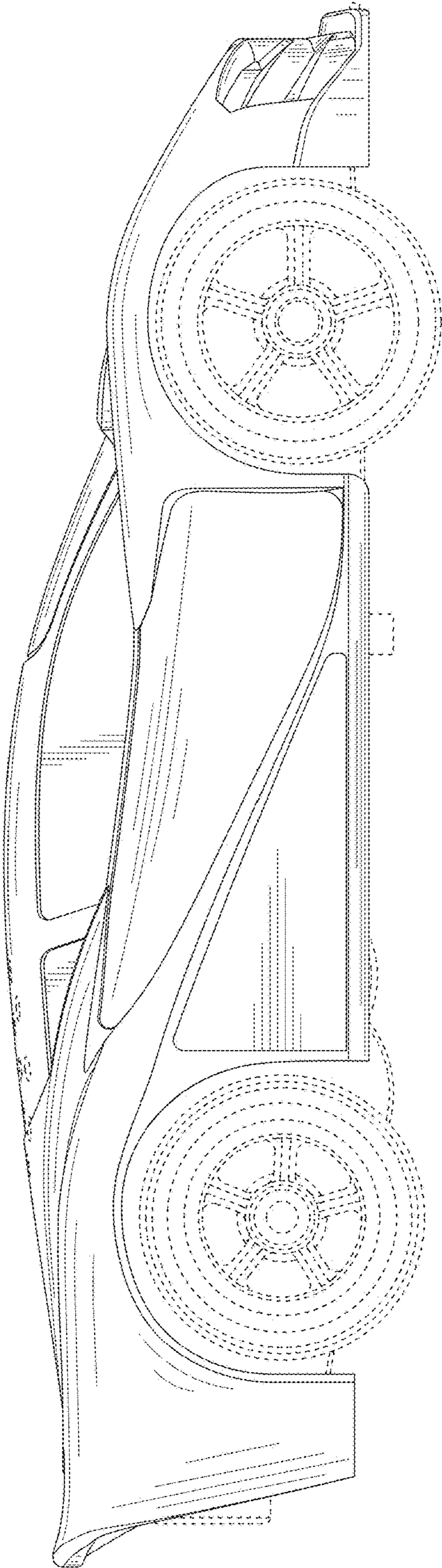


FIG. 5

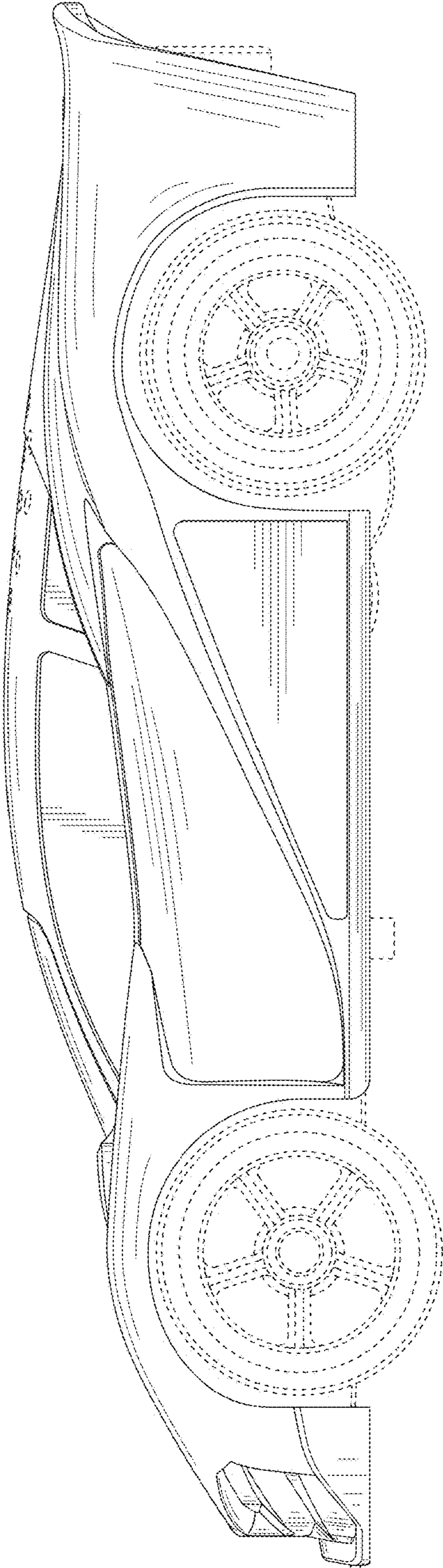
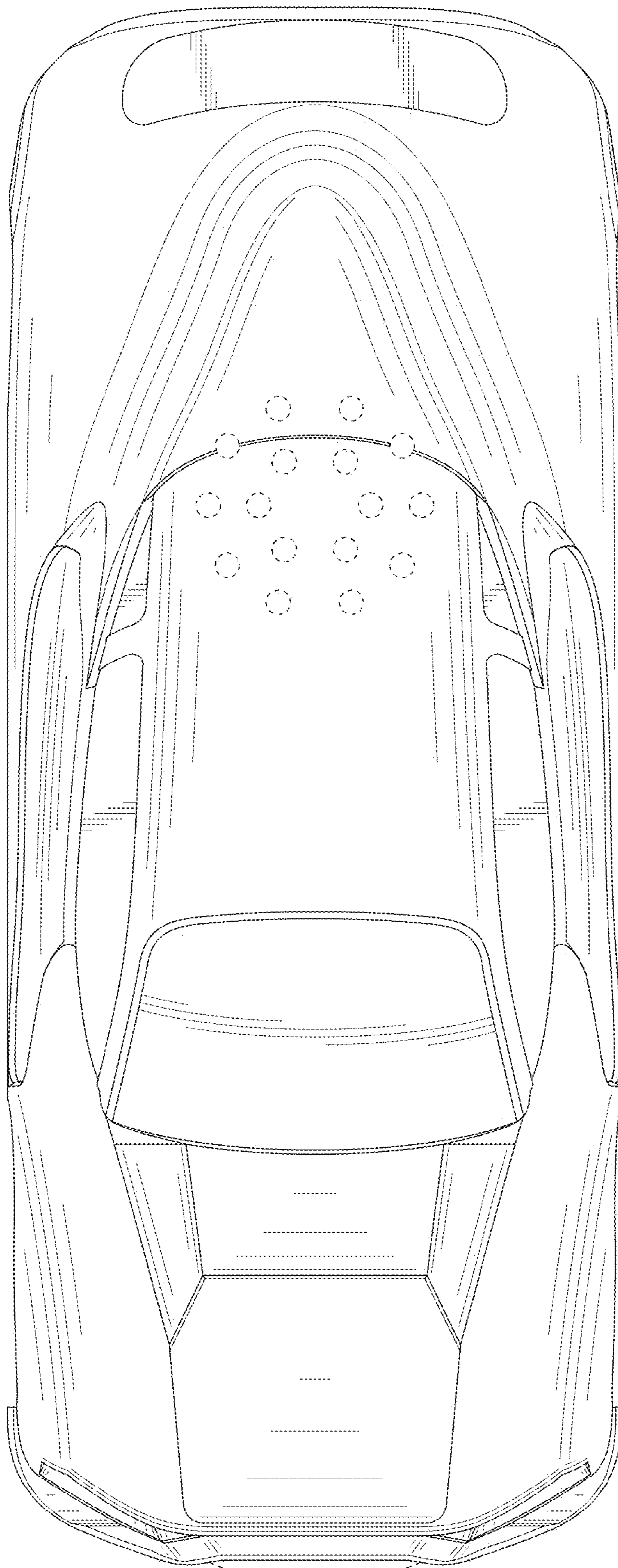
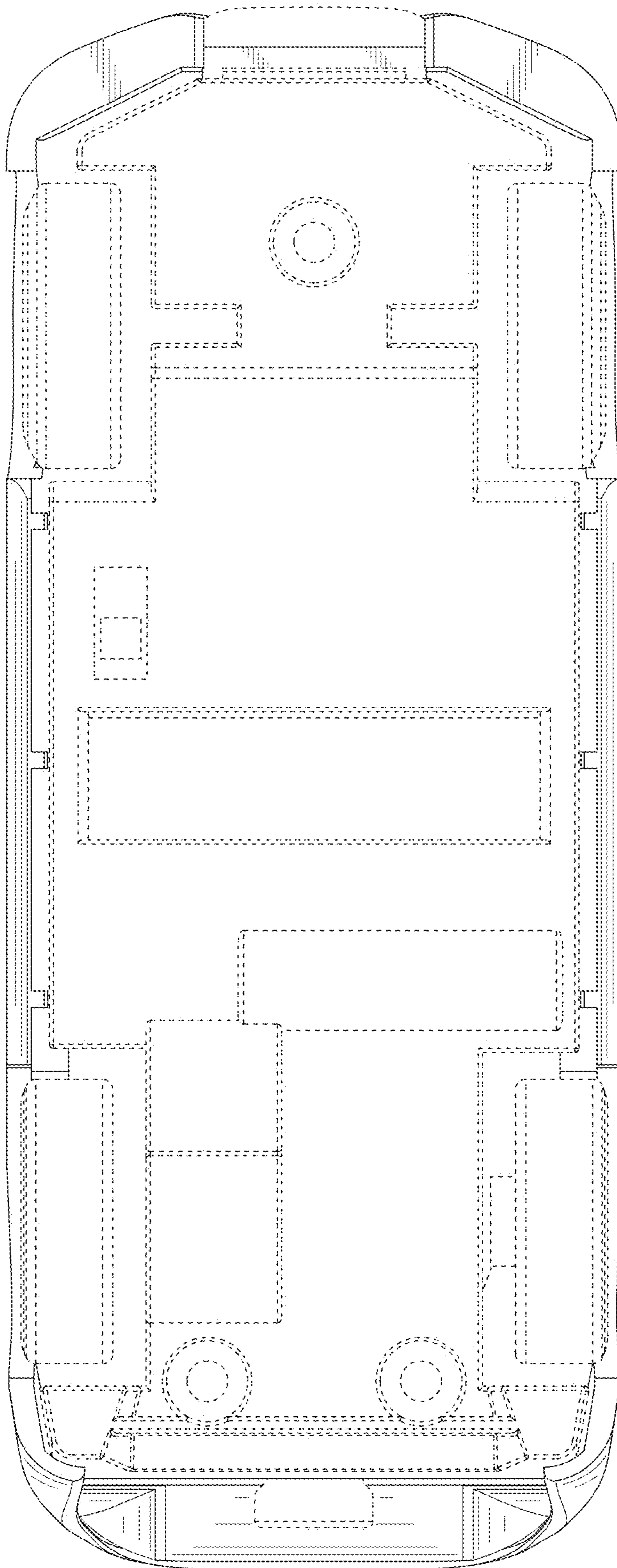


FIG. 6



**FIG. 7**



**FIG. 8**