



US00D936753S

(12) **United States Design Patent** (10) **Patent No.:** **US D936,753 S**
Wu (45) **Date of Patent:** **** Nov. 23, 2021**

(54) **KIDS FIRE TOOL BENCH TOY**

(71) Applicant: **Wanyi Wu**, Lufeng (CN)

(72) Inventor: **Wanyi Wu**, Lufeng (CN)

(**) Term: **15 Years**

(21) Appl. No.: **29/765,095**

(22) Filed: **Jan. 5, 2021**

(51) **LOC (13) Cl.** **21-01**

(52) **U.S. Cl.**

USPC **D21/522**

(58) **Field of Classification Search**

USPC D21/519, 522; D6/705

CPC A47C 13/00; A47B 67/02; A47B 23/00;
A63F 7/06

See application file for complete search history.

(56) **References Cited**

U.S. PATENT DOCUMENTS

- 4,223,894 A * 9/1980 Fabricant A63F 9/0243
222/78
- D262,555 S 1/1982 Skubic
- D276,741 S * 12/1984 Appel D21/522
- D277,019 S * 1/1985 Appel D21/522
- D282,218 S * 1/1986 Catelli D21/522
- D326,295 S * 5/1992 Monneret D21/521
- D328,620 S 8/1992 Maple
- D332,646 S * 1/1993 Aker D21/522
- D342,765 S * 12/1993 Monneret D21/519
- D358,852 S * 5/1995 Monneret D21/522
- D377,378 S * 1/1997 Monneret D21/522
- D394,477 S * 5/1998 Blumenthal D21/522
- D427,390 S 6/2000 Gill
- D453,539 S * 2/2002 Lanchais D21/522
- 6,964,595 B2 * 11/2005 Libretti A47D 1/10
446/482

- D631,134 S 1/2011 German et al.
- D676,498 S * 2/2013 Desberg D21/522
- D677,343 S * 3/2013 Chase D21/522
- D734,585 S 7/2015 Brennan
- D739,196 S 9/2015 Mohr et al.
- D762,283 S 7/2016 Guest et al.
- 2013/0181067 A1 * 7/2013 Todokoro A63H 23/10
239/442

FOREIGN PATENT DOCUMENTS

CN 301084589 * 12/2009

OTHER PUBLICATIONS

The 6 Best Water Tables of 2021, <https://www.thespruce.com/best-water-tables-4682577>, site visited Apr. 10, 2021.*

(Continued)

Primary Examiner — John R Yeh

(74) *Attorney, Agent, or Firm* — Xiaofang Zhong; Law Office of Xiaofang Zhong, PLLC

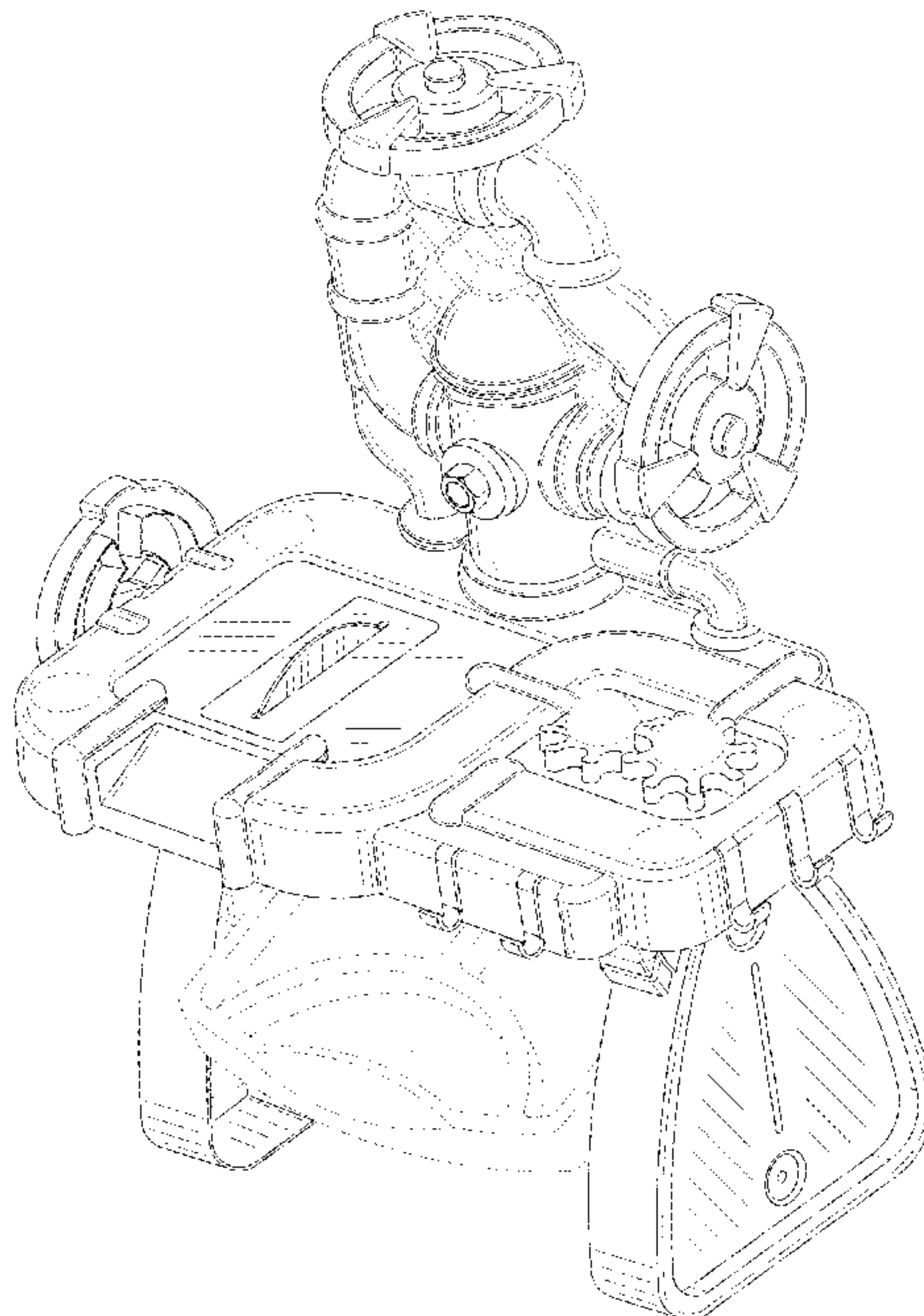
(57) **CLAIM**

The ornamental design for a kids fire tool bench toy, as shown and described.

DESCRIPTION

FIG. 1 is a perspective view of a kids fire tool bench toy showing my new design;
 FIG. 2 is a front elevational view thereof;
 FIG. 3 is a back elevational view thereof;
 FIG. 4 is a left-side elevational view thereof;
 FIG. 5 is a right-side elevational view thereof;
 FIG. 6 is a top plan view thereof; and,
 FIG. 7 is a bottom plan view thereof.
 The broken lines in the figures illustrate portions of the kids fire tool bench toy that form no part of the claimed design.

1 Claim, 7 Drawing Sheets



(56)

References Cited

OTHER PUBLICATIONS

15 Best Outdoor Water Toys for Toddlers, article date 2020, <https://toysenberry.com/best-outdoor-water-toys-for-toddlers/>, site visited Apr. 10, 2021.*

Hape Firehouse Playset, Crate and Barrel website reviews 2021, site visited Sep. 24, 2021, [https://www.crateandbarrel.com/hape-firehouse-play-set/s208236?localedetail=US&a=1552&campaignid=12235822266&a . . .](https://www.crateandbarrel.com/hape-firehouse-play-set/s208236?localedetail=US&a=1552&campaignid=12235822266&a...).*

* cited by examiner

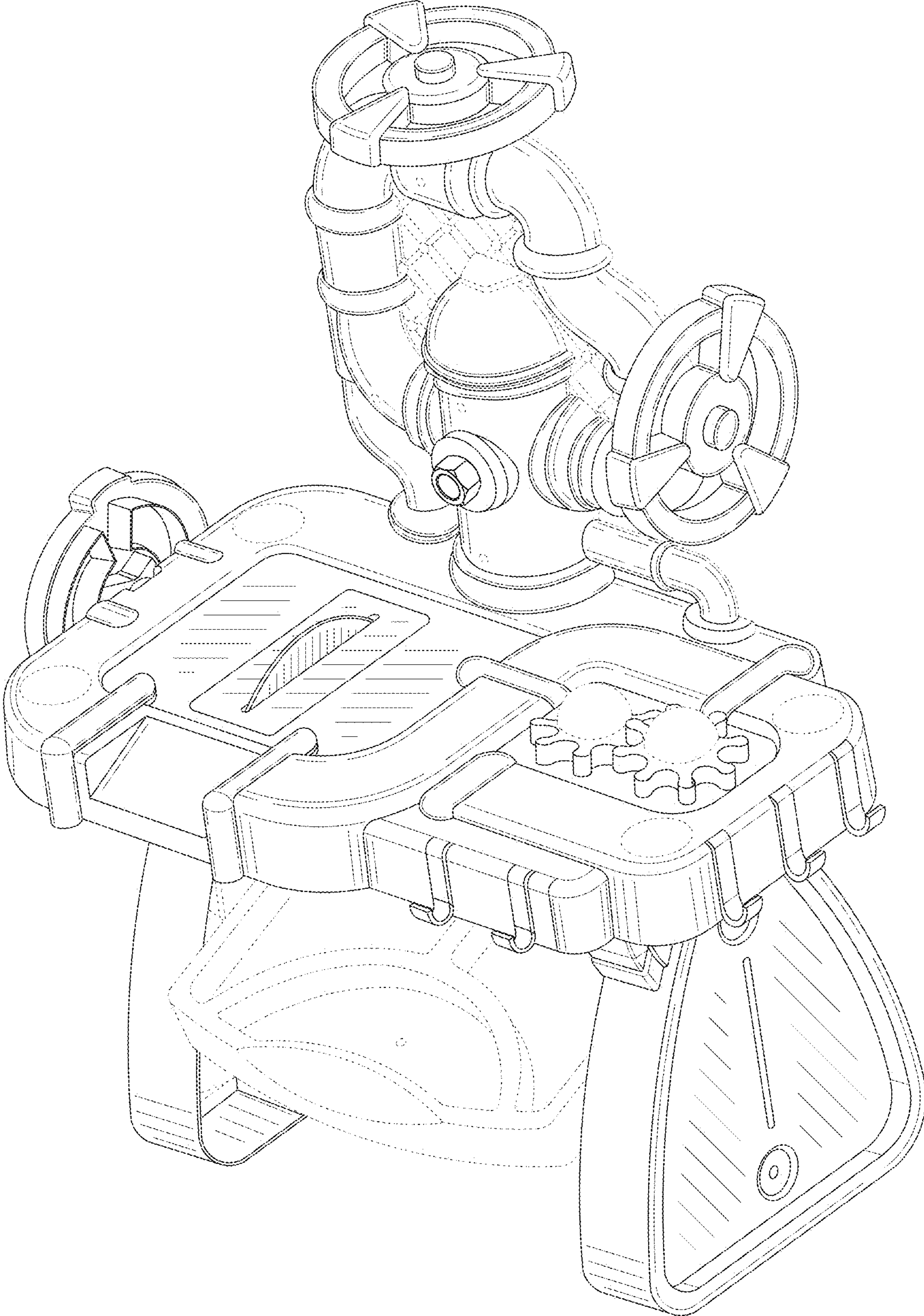


FIG. 1

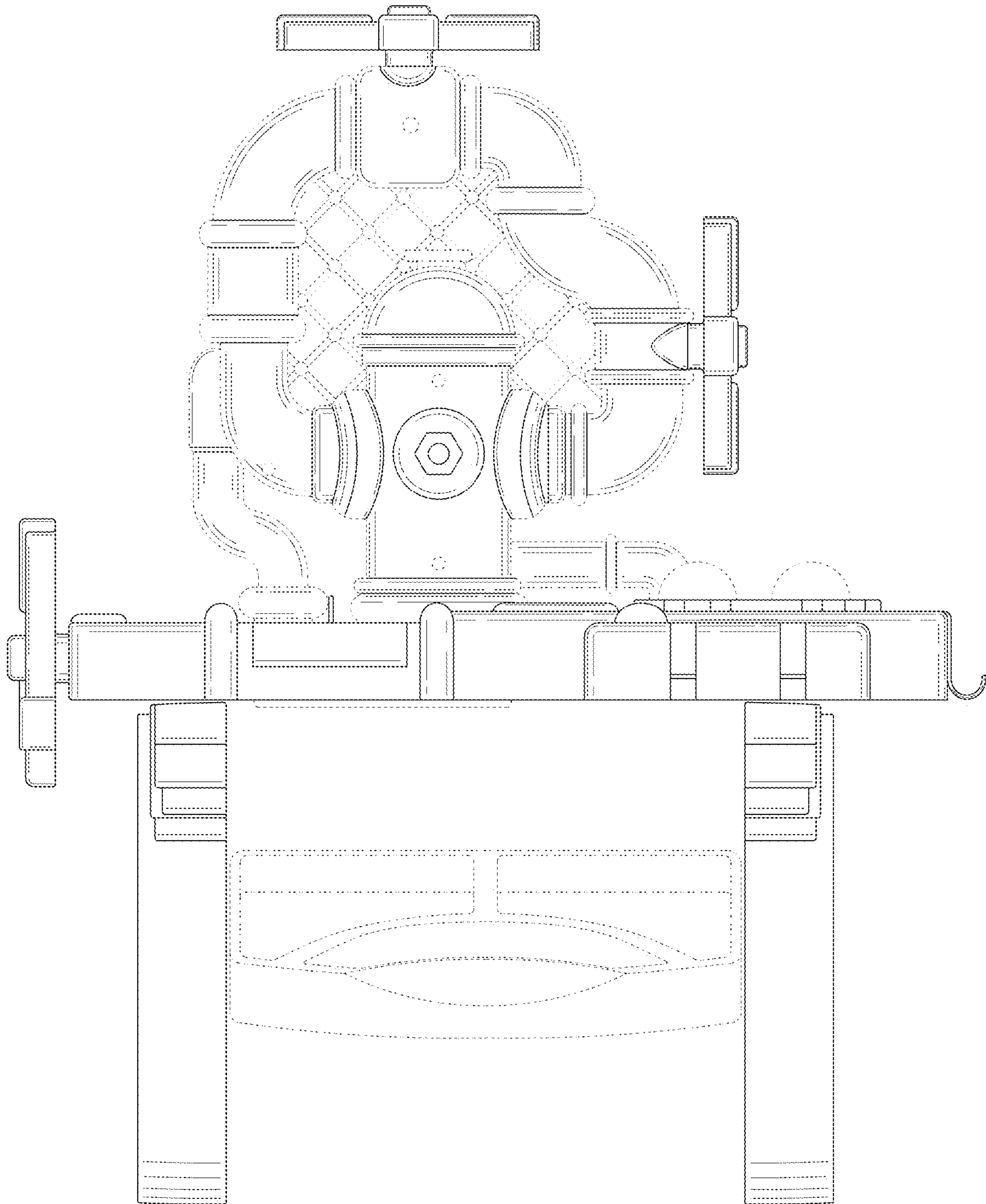


FIG. 2

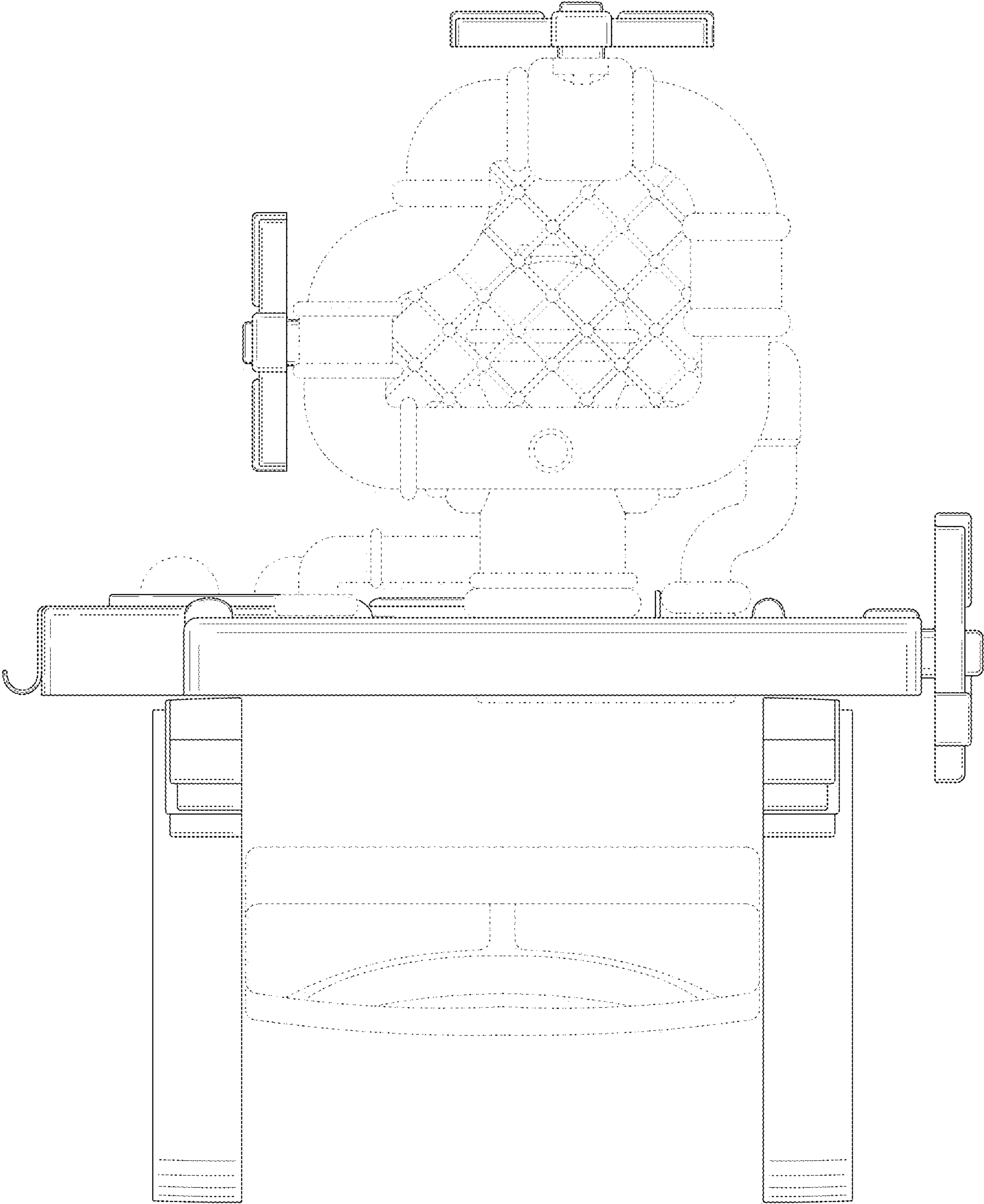


FIG. 3

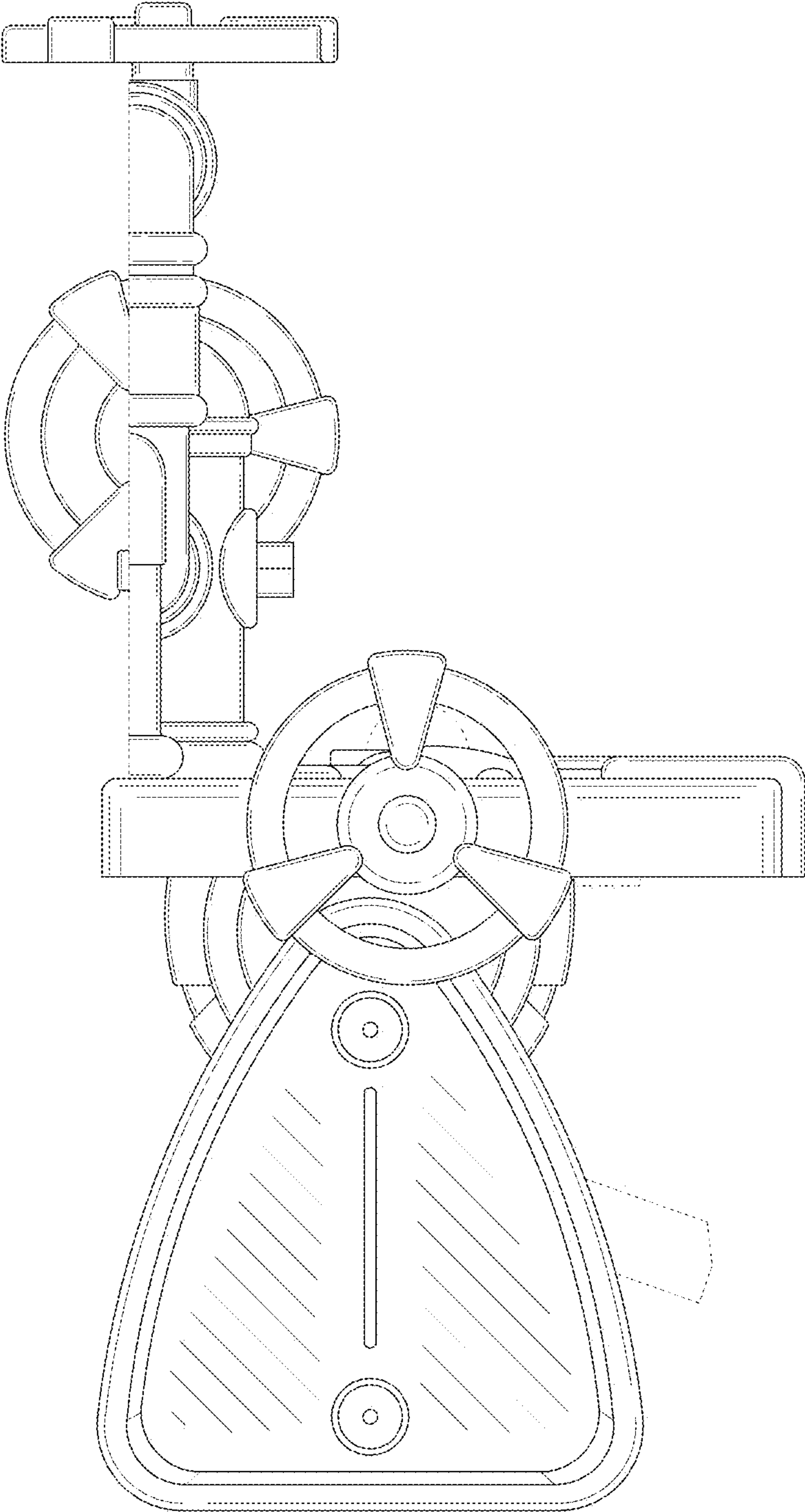


FIG. 4

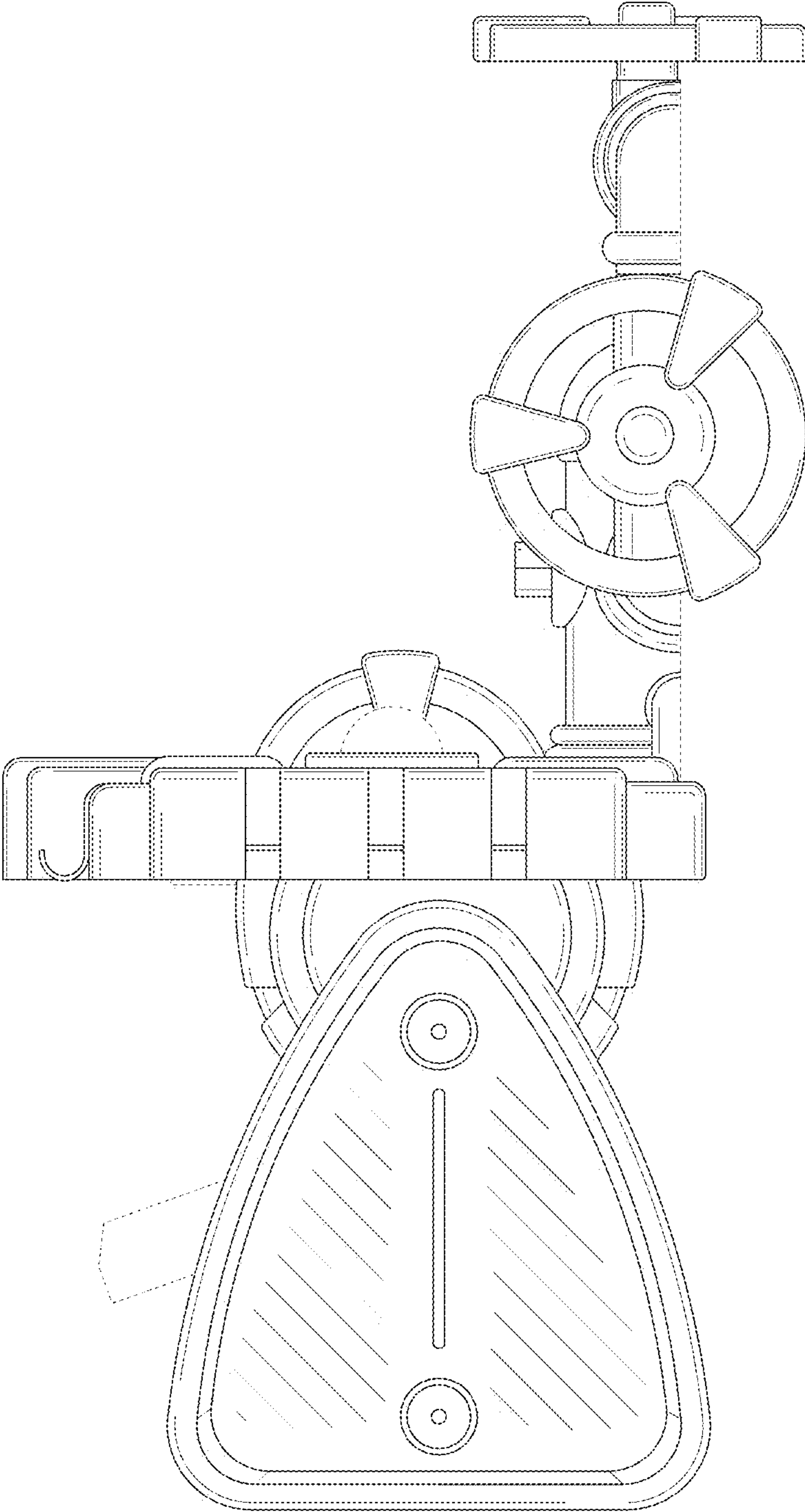


FIG. 5

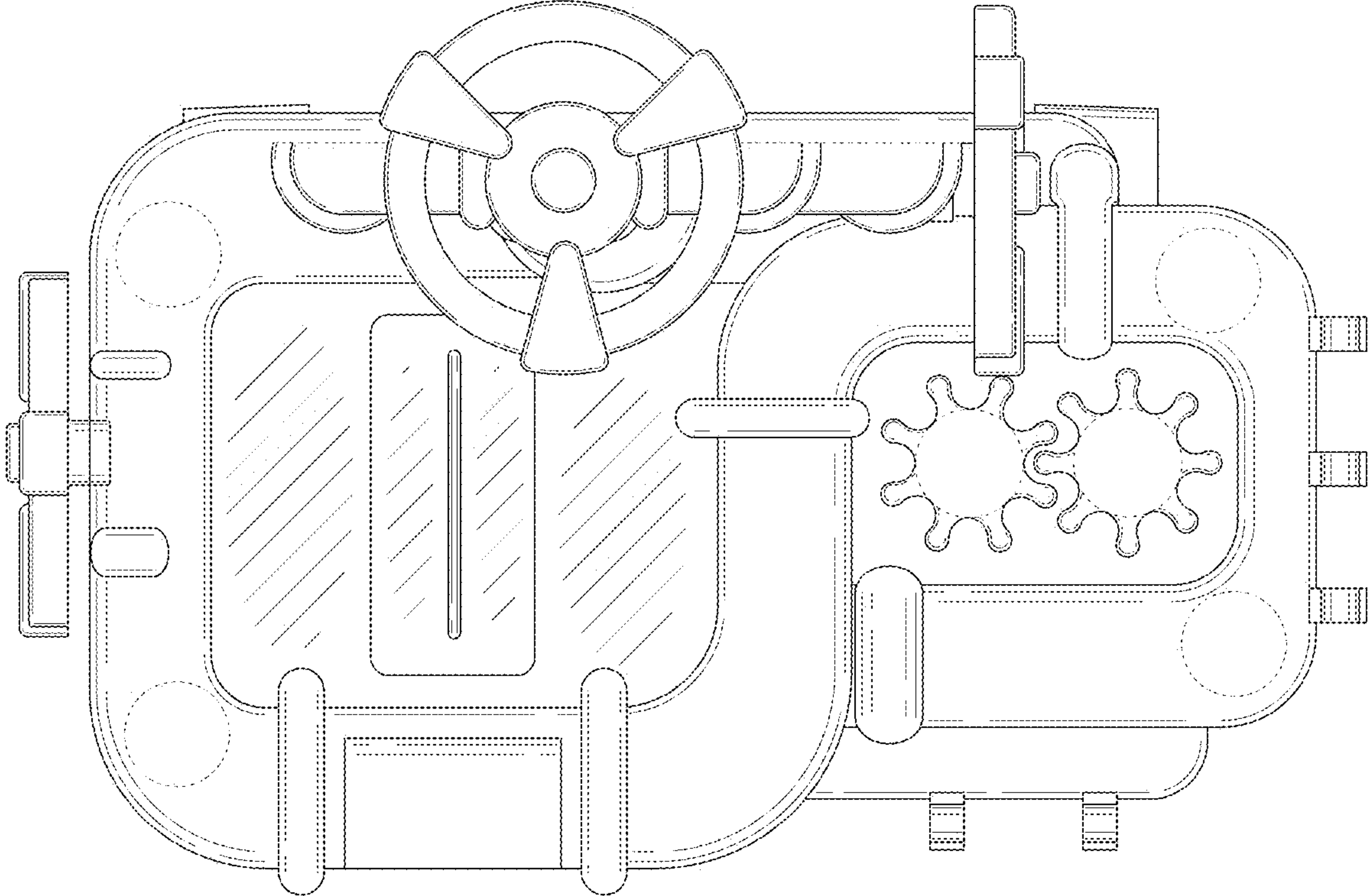


FIG. 6

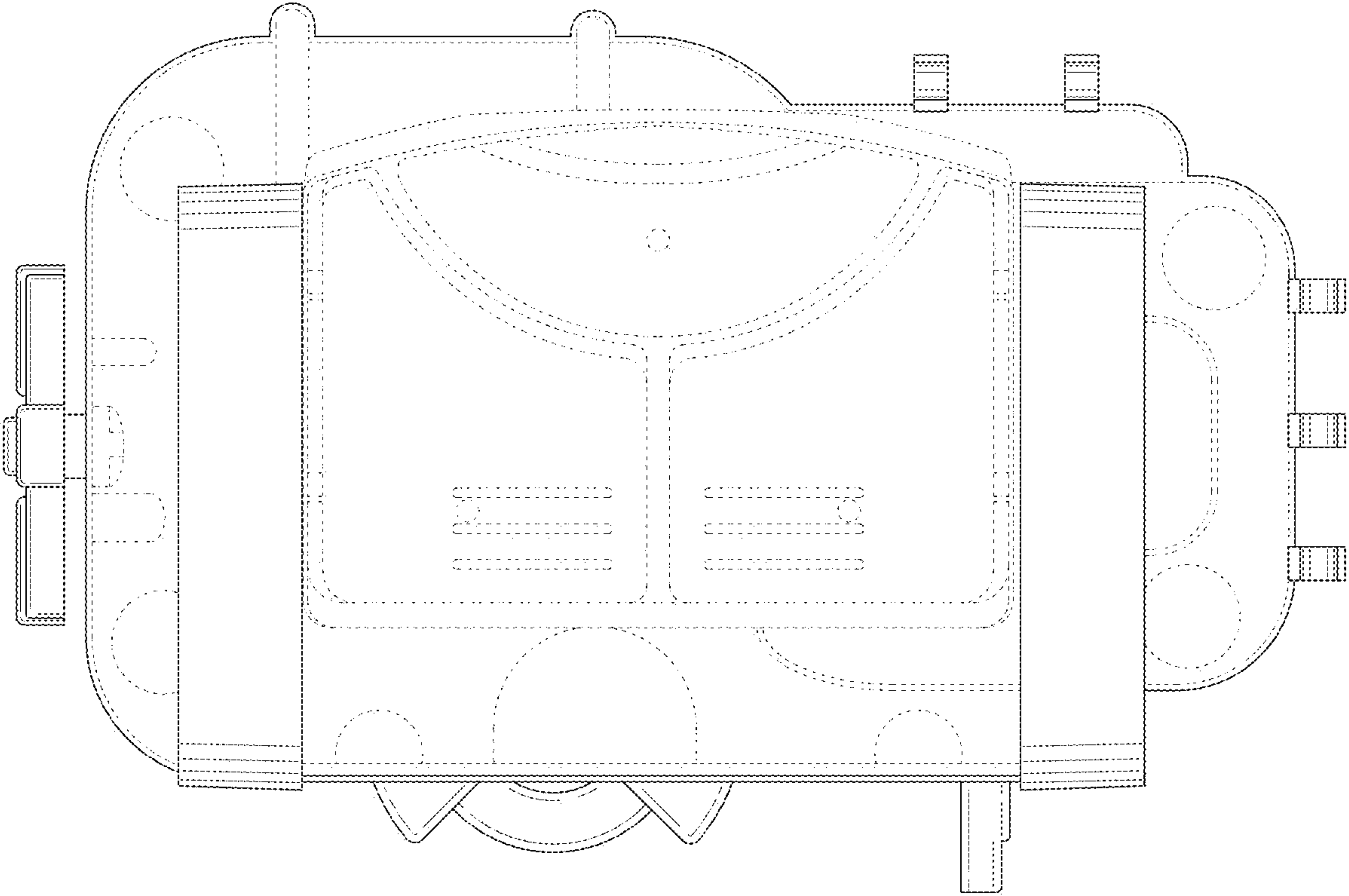


FIG. 7