



US00D936752S

(12) **United States Design Patent** (10) **Patent No.:** **US D936,752 S**  
**Sisamos** (45) **Date of Patent:** **\*\* Nov. 23, 2021**

(54) **SNAP-LOCK CONSTRUCTION TOY AXLE**  
(71) Applicant: **Costas Sisamos**, Limassol (CY)  
(72) Inventor: **Costas Sisamos**, Limassol (CY)  
(\*\*) Term: **15 Years**  
(21) Appl. No.: **29/721,603**  
(22) Filed: **Jan. 22, 2020**  
(51) **LOC (13) Cl.** ..... **21-01**  
(52) **U.S. Cl.**  
USPC ..... **D21/503**  
(58) **Field of Classification Search**  
USPC ..... D21/484–505  
CPC ..... A63H 33/00; A63H 33/04; A63H 33/06;  
A63H 33/062; A63H 33/08; A63H  
33/084; A63H 33/088; A63H 33/101;  
A63H 33/108; A63H 33/12  
See application file for complete search history.

(56) **References Cited**  
U.S. PATENT DOCUMENTS  
4,548,590 A \* 10/1985 Green ..... A63H 33/065  
403/354  
D307,775 S \* 5/1990 Pedersen ..... D21/500  
D391,843 S \* 3/1998 Glickman ..... D8/382  
D393,417 S \* 4/1998 Glickman ..... D8/382  
D415,217 S \* 10/1999 Rudy ..... D21/503  
6,325,694 B1 \* 12/2001 Clever ..... A63H 33/082  
403/165  
D667,895 S \* 9/2012 Rya ..... D21/500  
D757,860 S \* 5/2016 Cochella ..... D21/484  
D820,359 S \* 6/2018 Deemer ..... D21/484  
D834,105 S \* 11/2018 Bilodeau ..... D21/484  
D877,263 S \* 3/2020 Cochella ..... D21/484

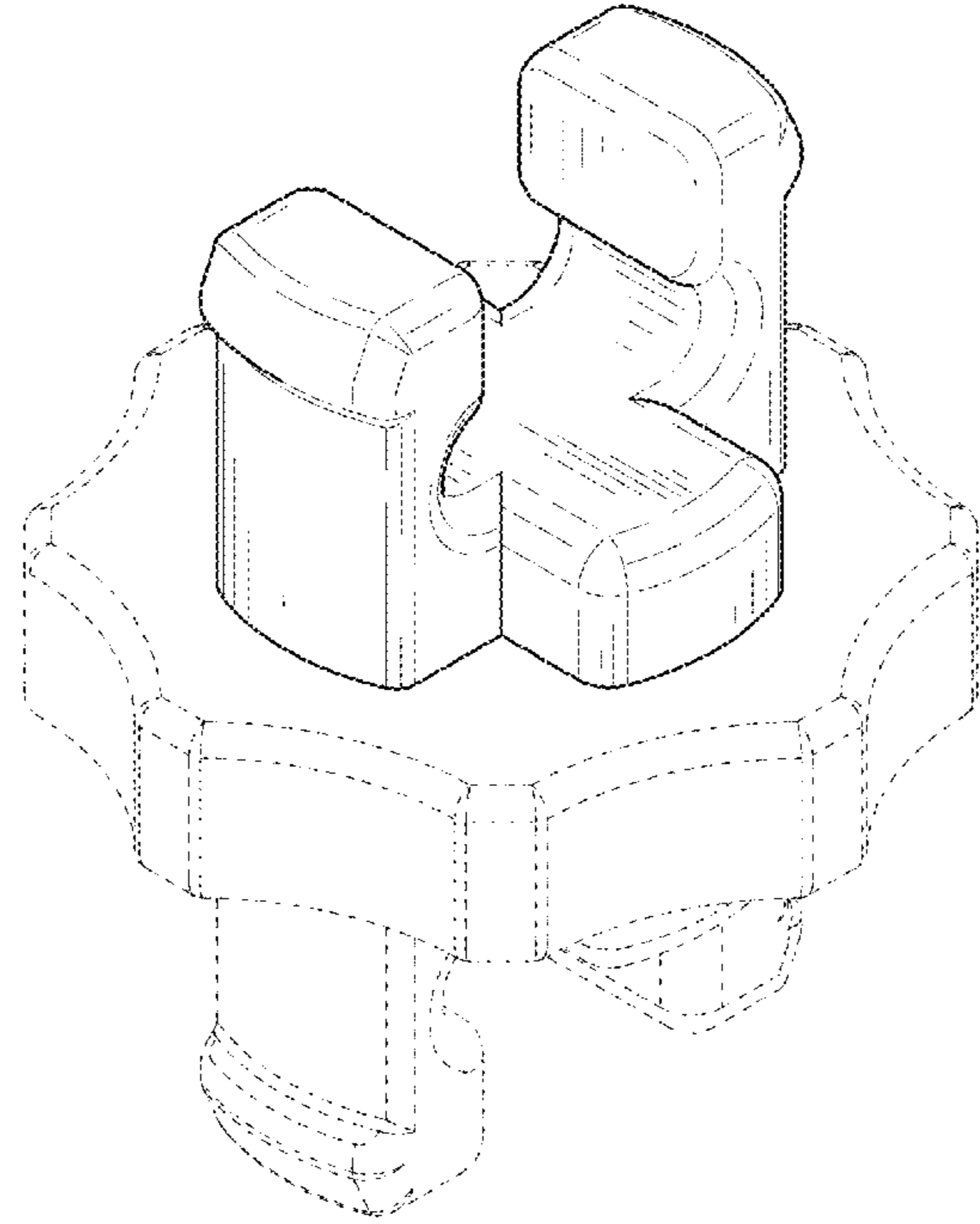
2006/0264147 A1\* 11/2006 Shoptaugh ..... A63H 33/042  
446/120  
2014/0090630 A1\* 4/2014 Bird ..... F41B 7/08  
124/31  
2020/0261819 A1\* 8/2020 Sisamos ..... A63H 17/262  
\* cited by examiner

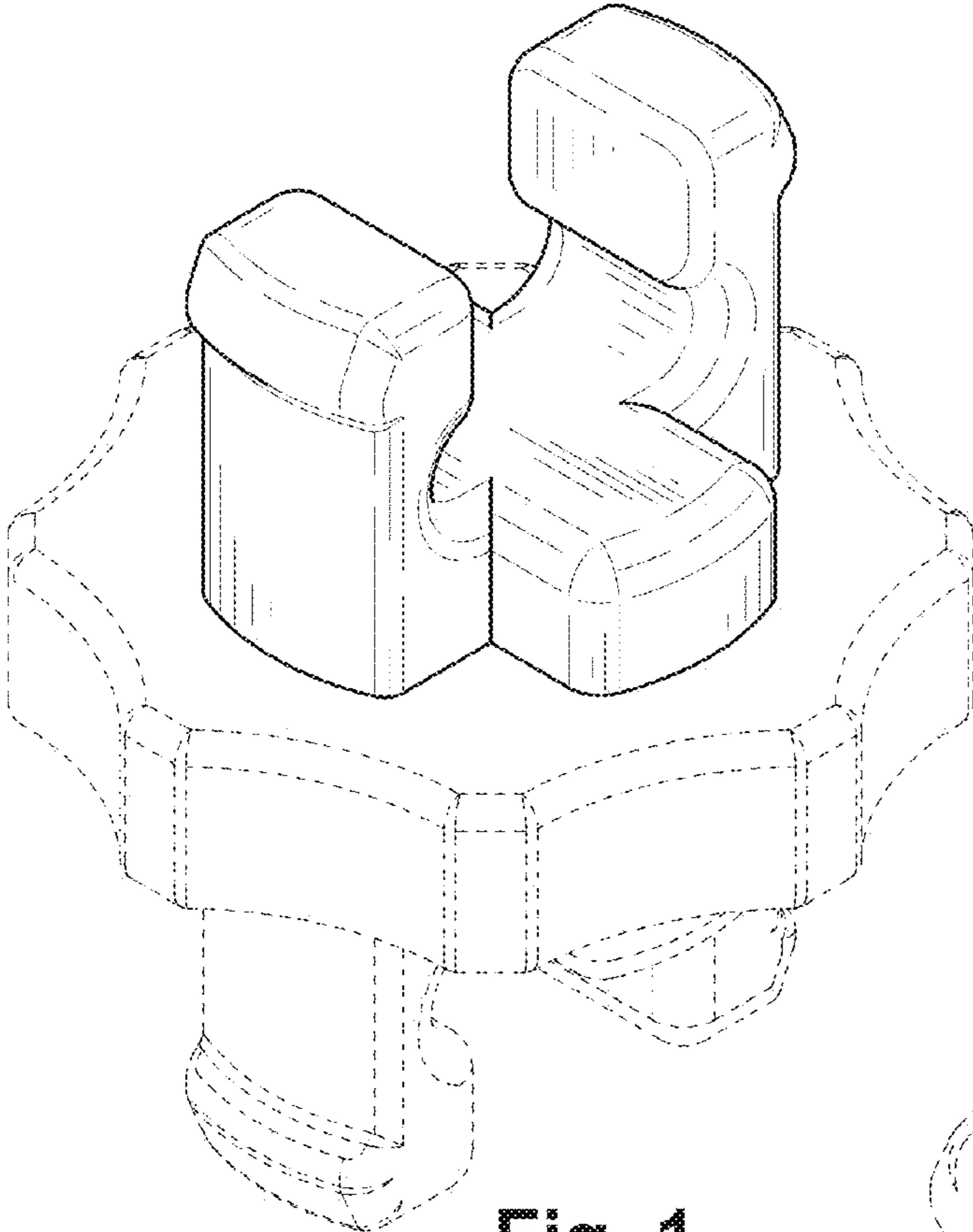
*Primary Examiner* — Cynthia M. Chin  
(74) *Attorney, Agent, or Firm* — Eschweiler & Potashnik, LLC

(57) **CLAIM**  
The ornamental design for a snap-lock construction toy axle, as shown and described.

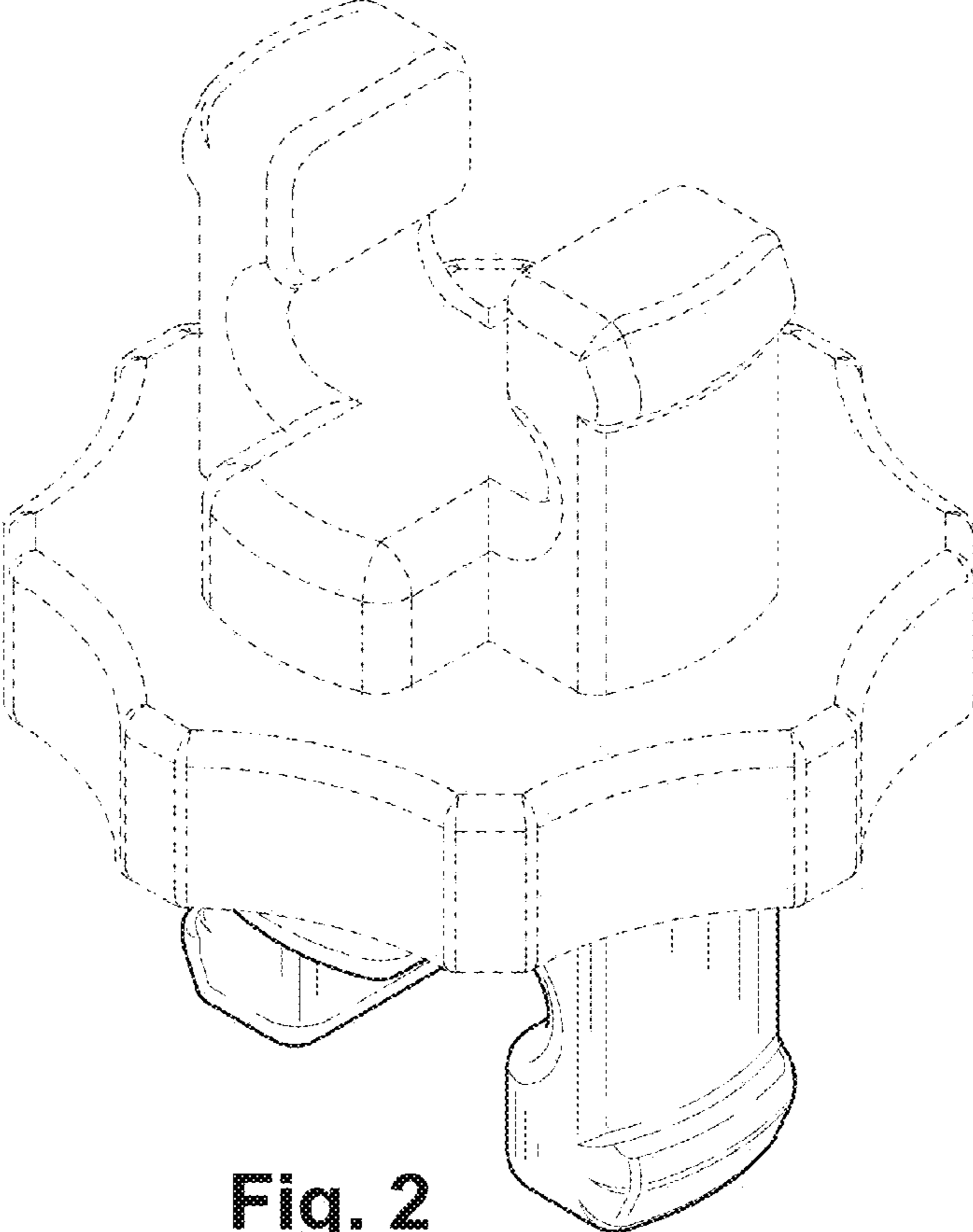
**DESCRIPTION**  
FIG. 1 illustrates a front, top, and right side perspective view of a snap-lock construction toy axle according to the present invention.  
FIG. 2 illustrates a rear, bottom, and side perspective view of the snap-lock construction toy axle according to the embodiment of FIG. 1.  
FIG. 3 illustrates a side elevation view of the snap-lock construction toy axle according to the embodiment of FIG. 1.  
FIG. 4 illustrates a front elevation view of the snap-lock construction toy axle according to the embodiment of FIG. 1.  
FIG. 5 illustrates a top elevation view of the snap-lock construction toy axle according to the embodiment of FIG. 1; and,  
FIG. 6 illustrates a bottom elevation view of the snap-lock construction toy axle according to the embodiment of FIG. 1.  
The broken lines are for the purpose of illustrating portions of the article that form no part of the claimed design.

**1 Claim, 3 Drawing Sheets**

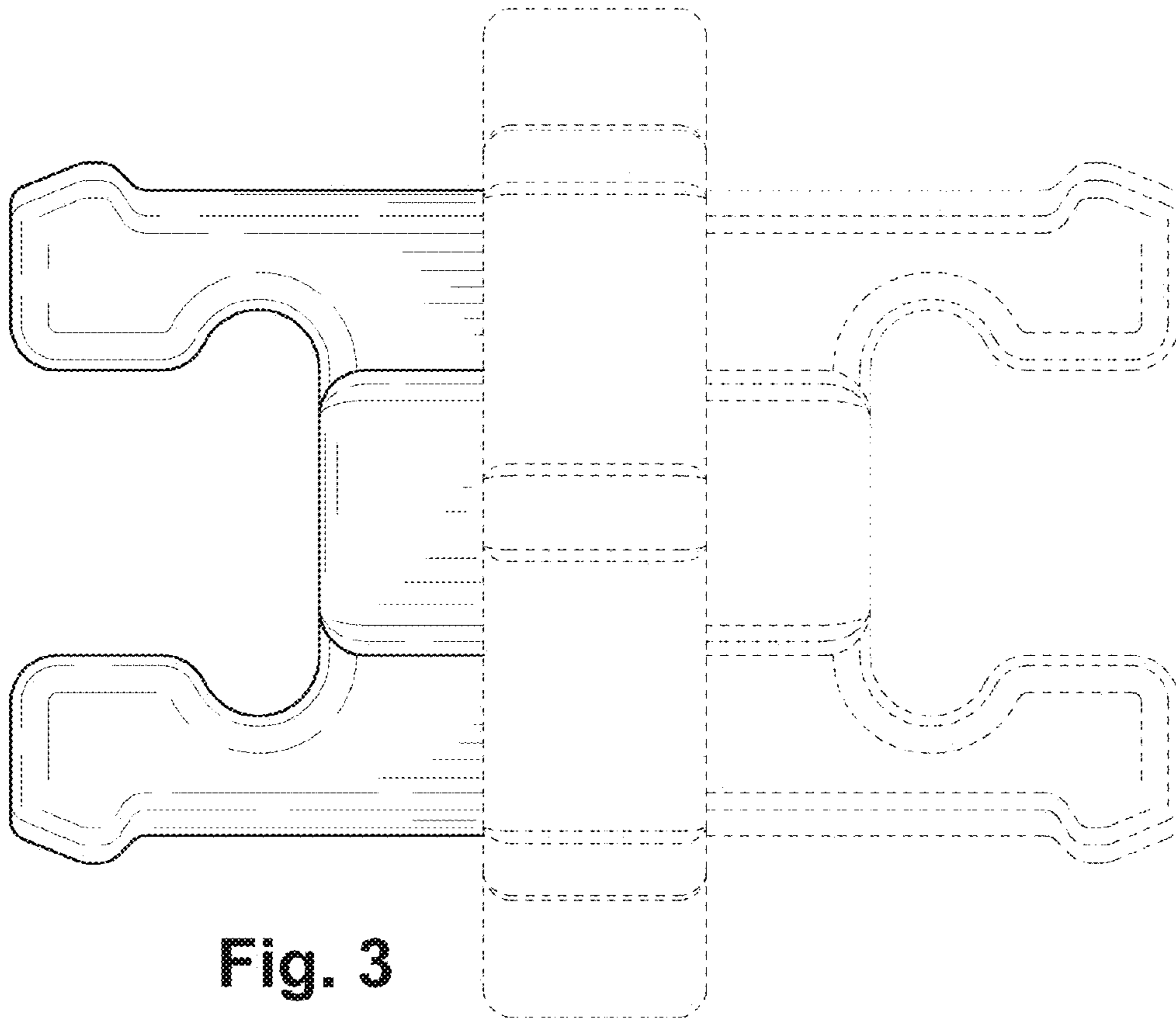




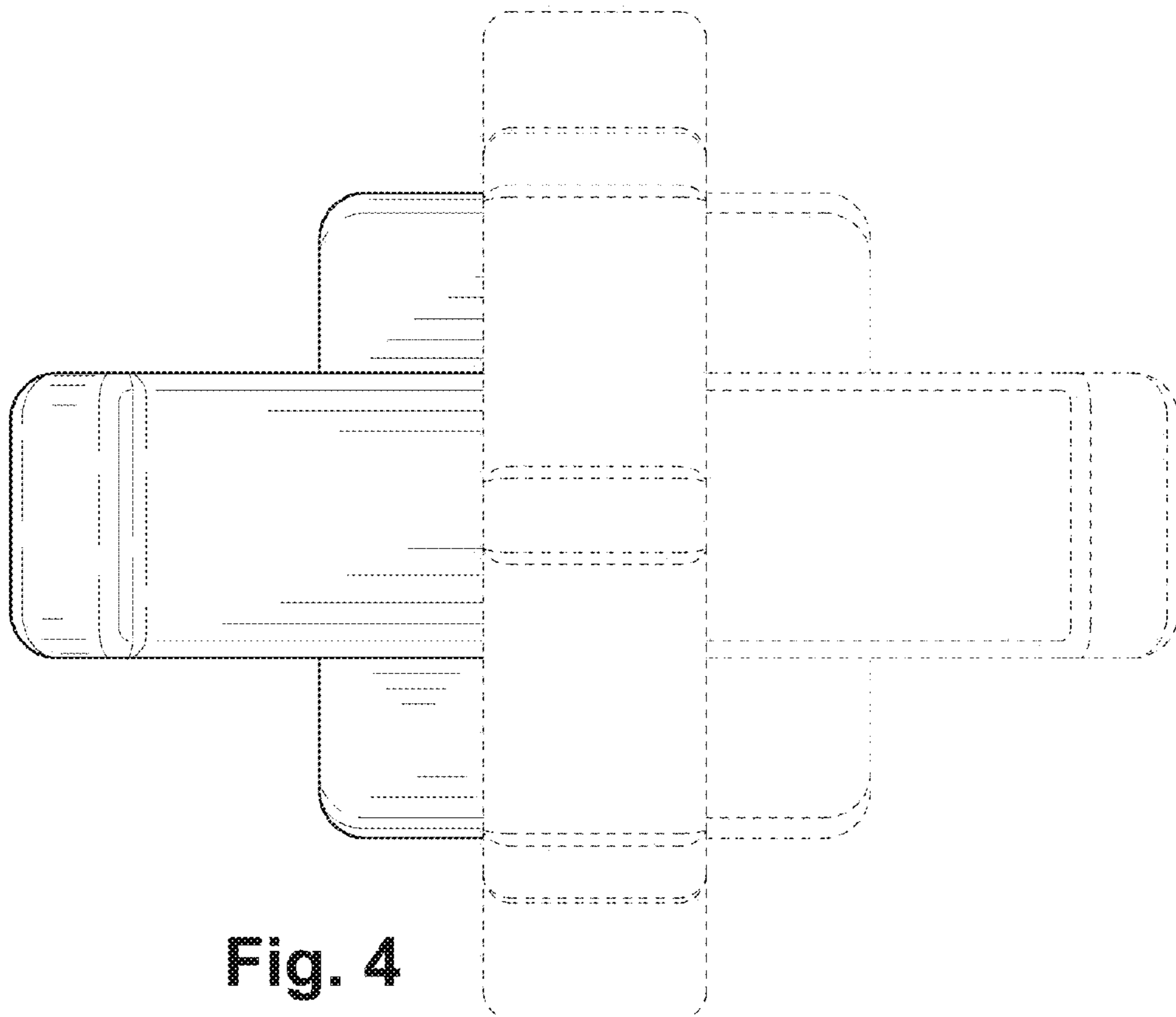
**Fig. 1**



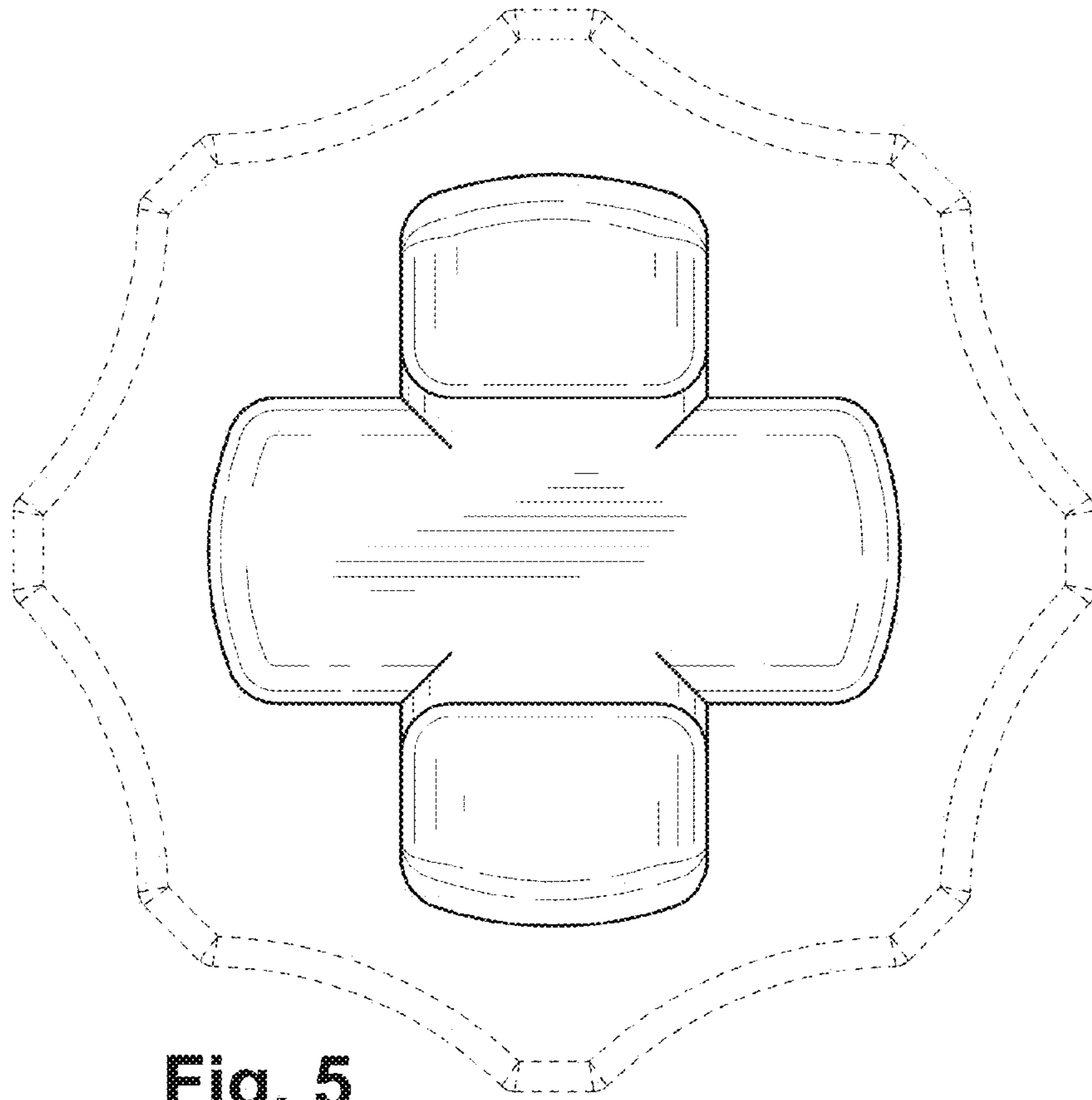
**Fig. 2**



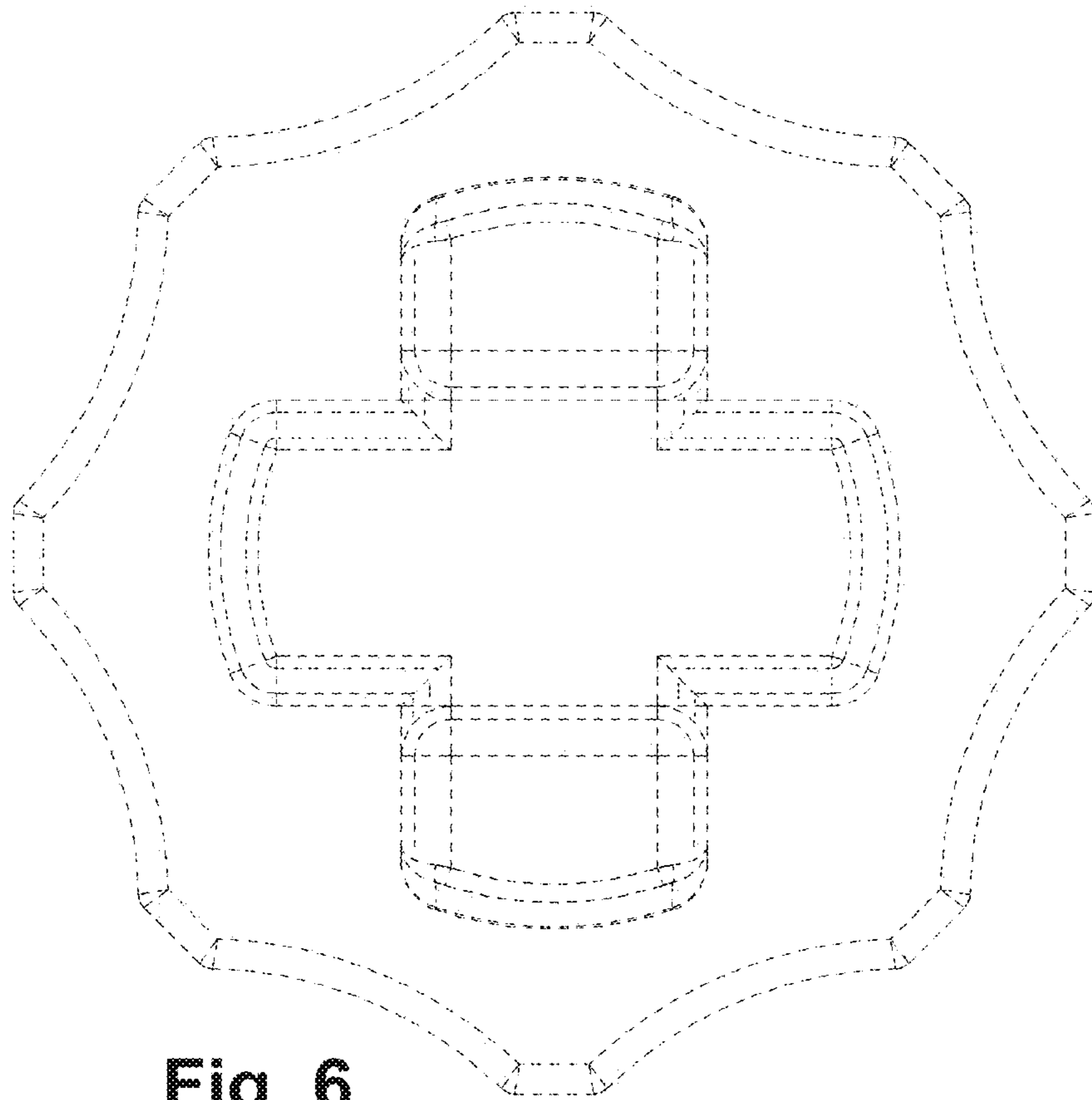
**Fig. 3**



**Fig. 4**



**Fig. 5**



**Fig. 6**