



US00D936751S

(12) **United States Design Patent** (10) **Patent No.:** **US D936,751 S**
Sisamos (45) **Date of Patent:** **** Nov. 23, 2021**

(54) **SNAP-LOCK CONSTRUCTION TOY BEAM CONNECTOR**

D887,498 S * 6/2020 Vandiver D21/484
2014/0090630 A1* 4/2014 Bird F41B 7/08
124/31

(71) Applicant: **Costas Sisamos**, Limassol (CY)

* cited by examiner

(72) Inventor: **Costas Sisamos**, Limassol (CY)

Primary Examiner — Cynthia M. Chin
(74) *Attorney, Agent, or Firm* — Eschweiler & Potashnik, LLC

(**) Term: **15 Years**

(57) **CLAIM**

(21) Appl. No.: **29/721,602**

The ornamental design for a snap-lock construction toy beam connector, as shown and described.

(22) Filed: **Jan. 22, 2020**

DESCRIPTION

(51) **LOC (13) Cl.** **21-01**

(52) **U.S. Cl.**
USPC **D21/492; D21/504**

(58) **Field of Classification Search**
USPC D21/484, 485, 489, 490, 492, 493, 494,
D21/495, 500, 501, 502, 503, 504
CPC A63H 33/00; A63H 33/04; A63H 33/06;
A63H 33/062; A63H 33/08; A63H
33/084; A63H 33/088; A63H 33/101;
A63H 33/108; A63H 33/12
See application file for complete search history.

FIG. 1 illustrates a front, top, and right side perspective view of a snap-lock construction toy beam connector according to the present invention.

FIG. 2 illustrates a rear, bottom, and left side perspective view of the snap-lock construction toy beam connector of FIG. 1.

FIG. 3 illustrates a front elevation view of the snap-lock construction toy beam connector of FIG. 1. FIG. 4 illustrates a rear elevation view of the snap-lock construction toy beam connector of FIG. 1.

FIG. 5 illustrates a left side elevation view of the snap-lock construction toy beam connector of FIG. 1.

FIG. 6 illustrates a right side elevation view of the snap-lock construction toy beam connector of FIG. 1.

FIG. 7 illustrates a top elevation view of the snap-lock construction toy beam connector of FIG. 1; and,

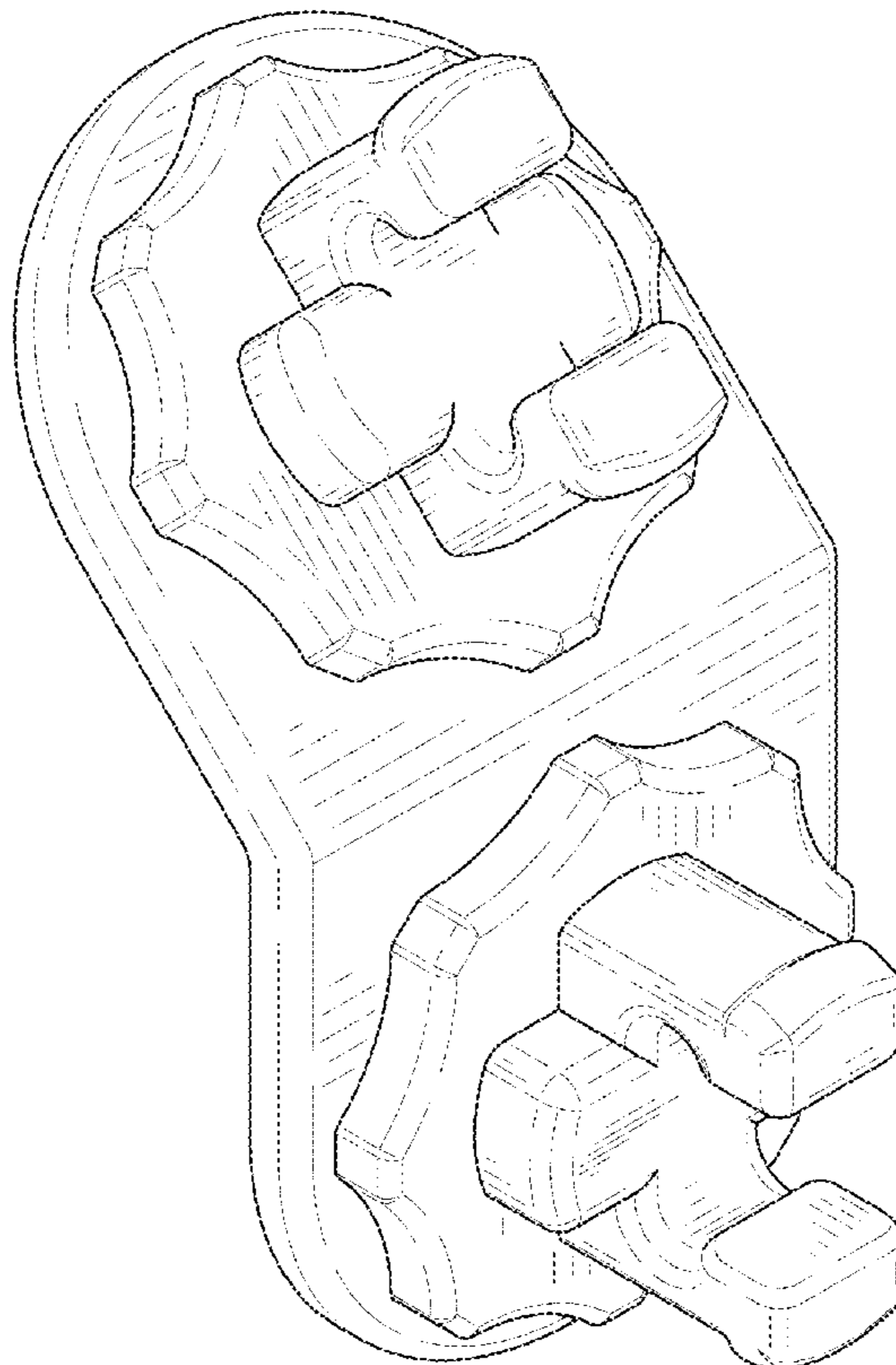
FIG. 8 illustrates a bottom elevation view of the snap-lock construction toy beam connector of FIG. 1.

(56) **References Cited**

U.S. PATENT DOCUMENTS

4,802,876 A * 2/1989 Bertrand A63H 33/08
446/469
D667,895 S * 9/2012 Rya D21/500
D783,729 S * 4/2017 Glasband D21/484

1 Claim, 4 Drawing Sheets



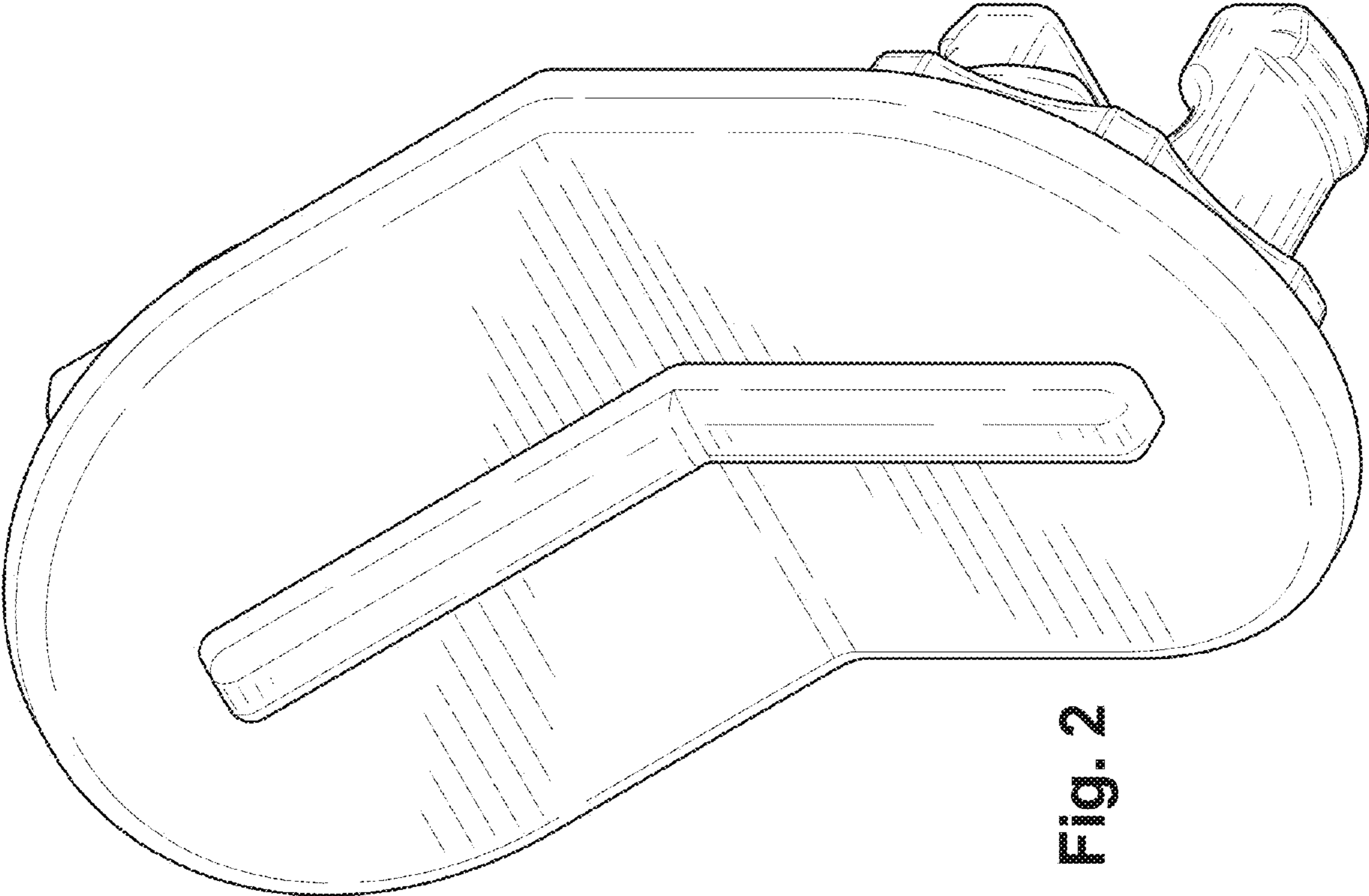


Fig. 2

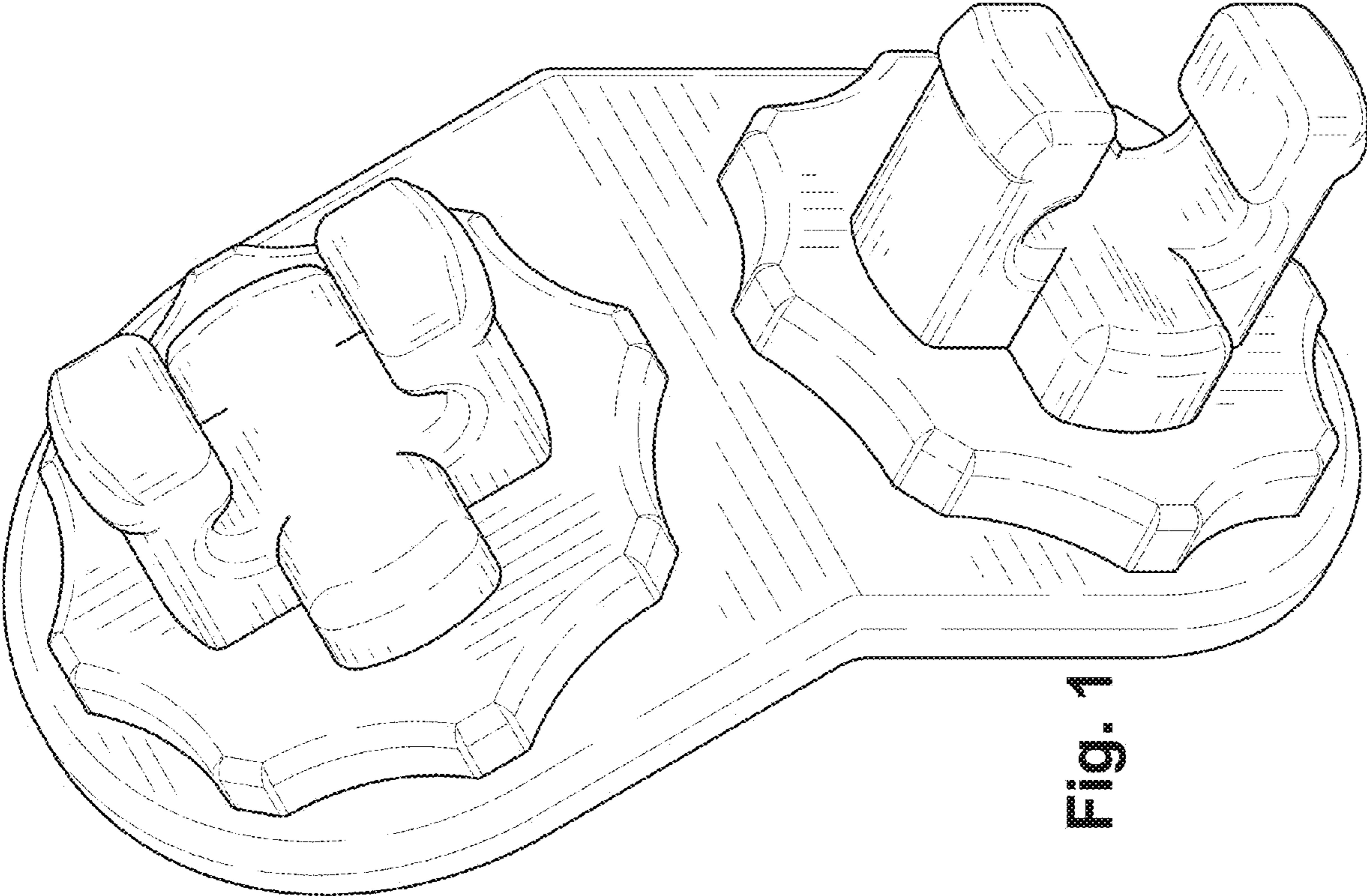


Fig. 1

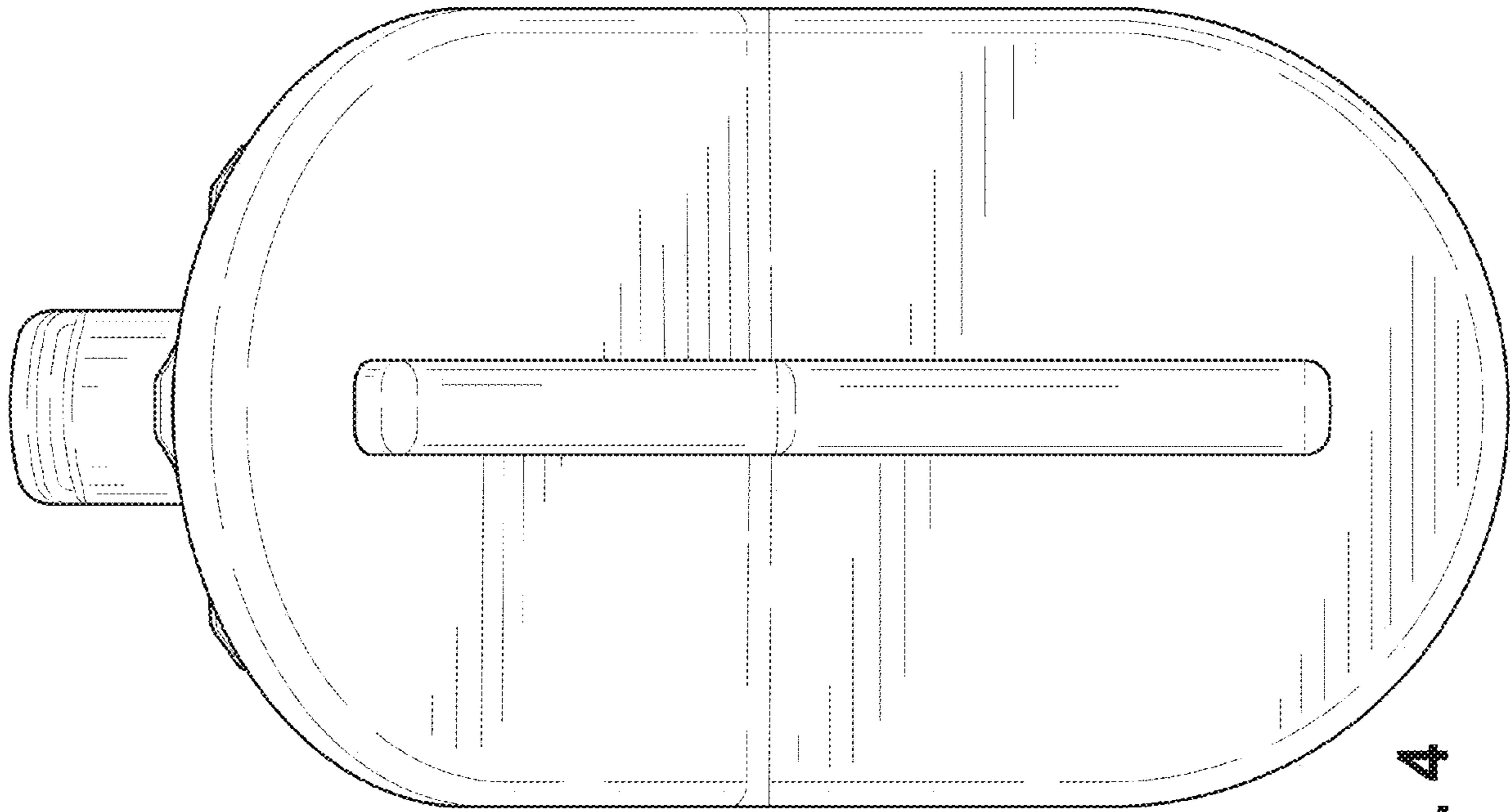


Fig. 4

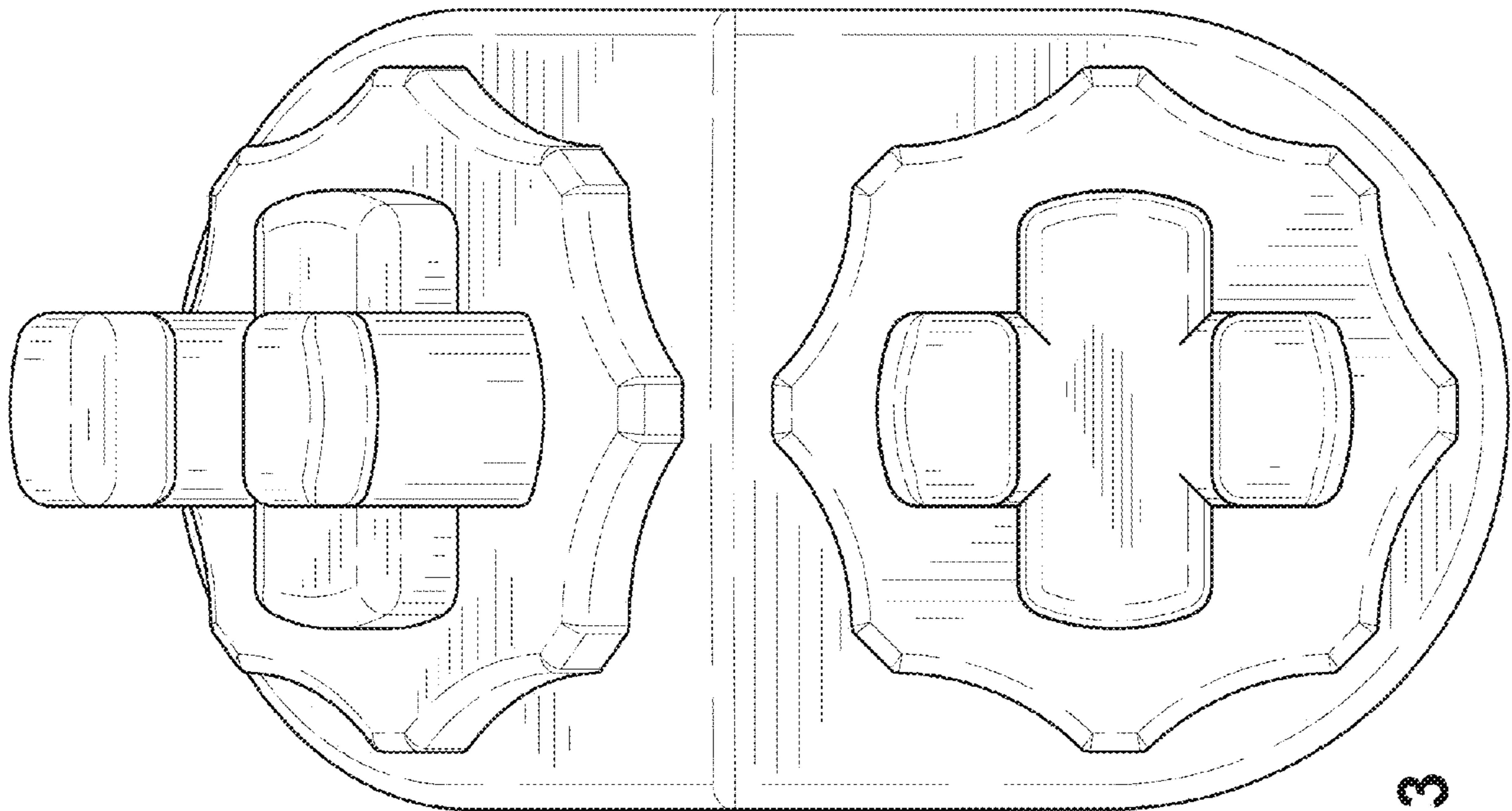


Fig. 3

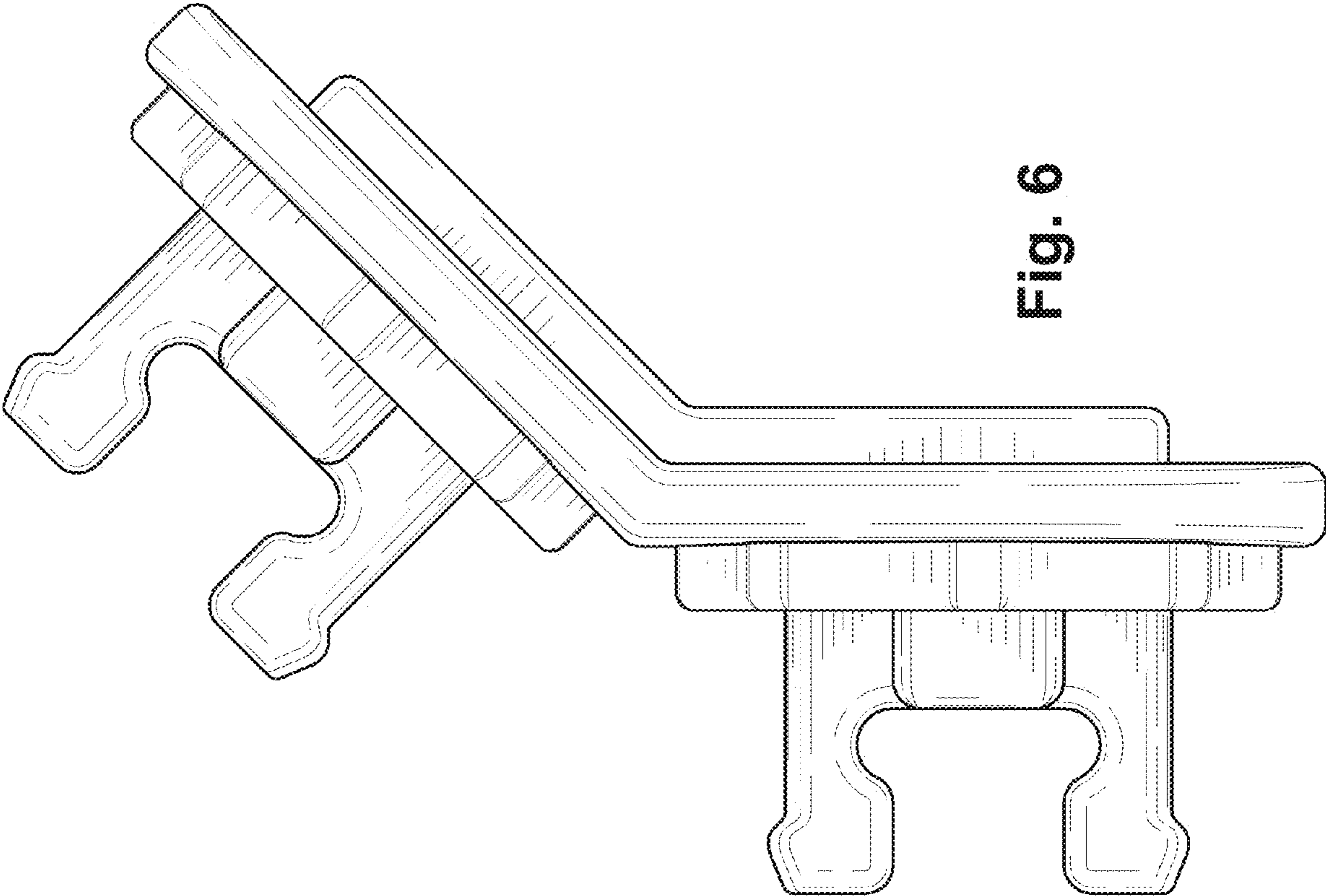


Fig. 6

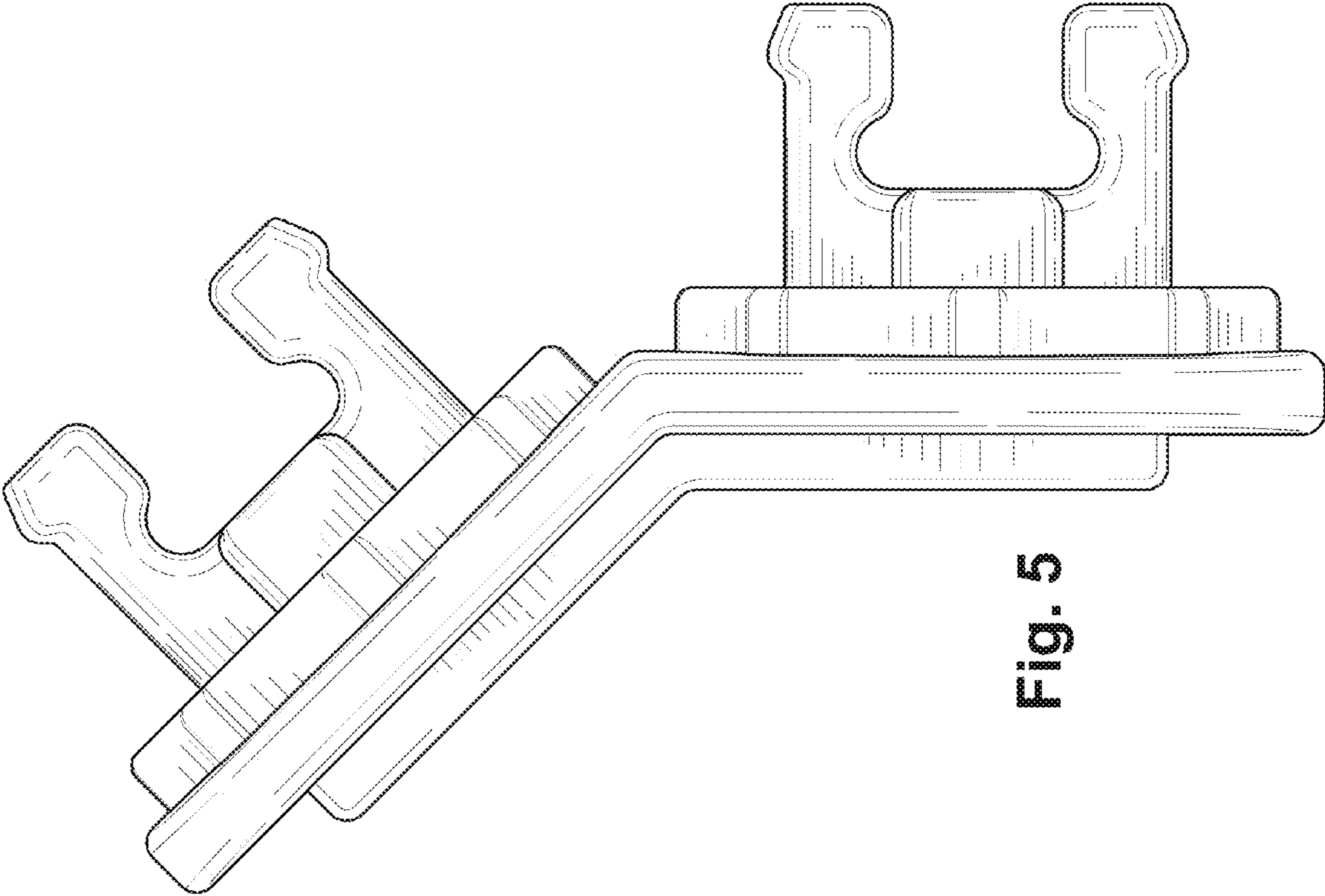


Fig. 5

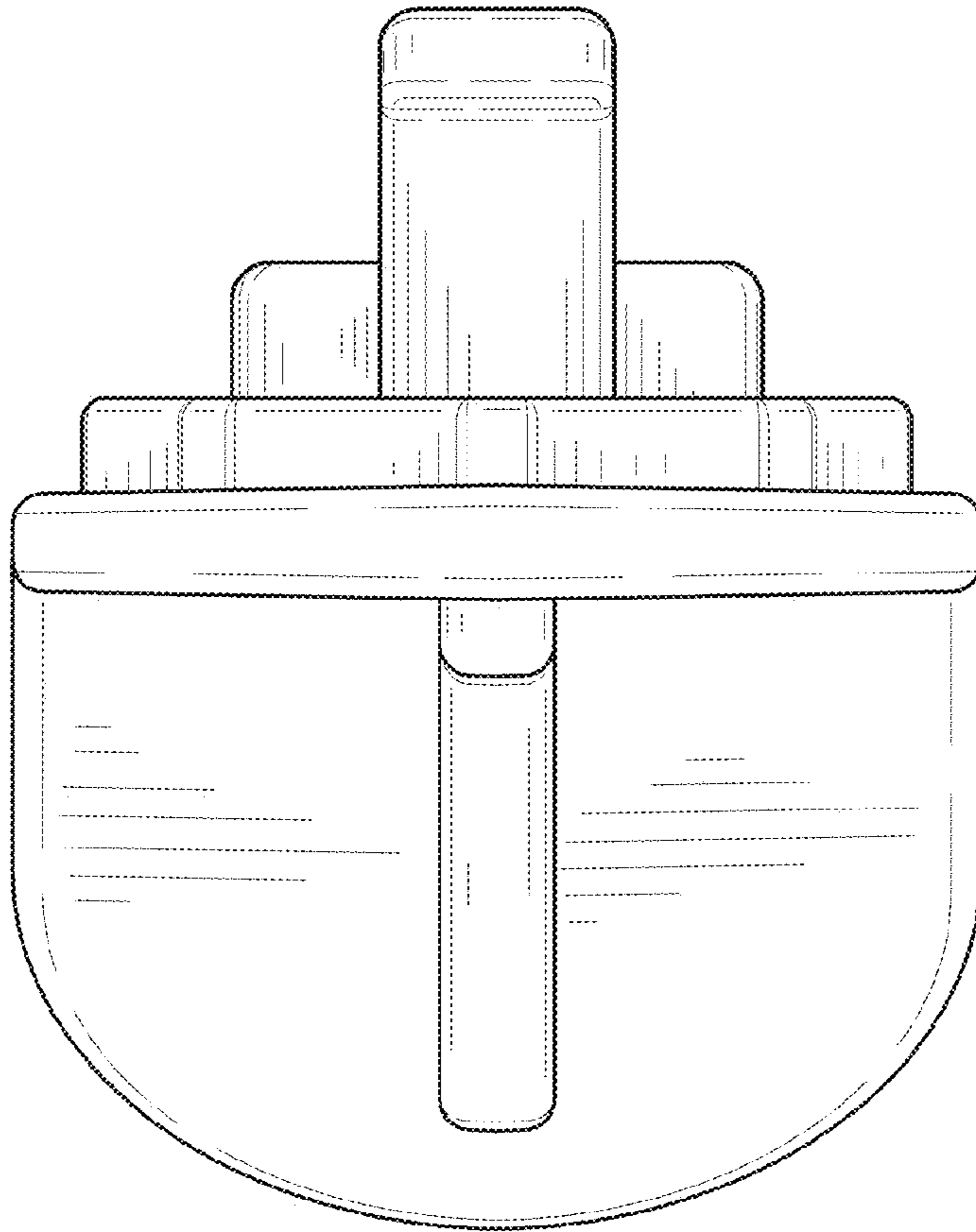


Fig. 8

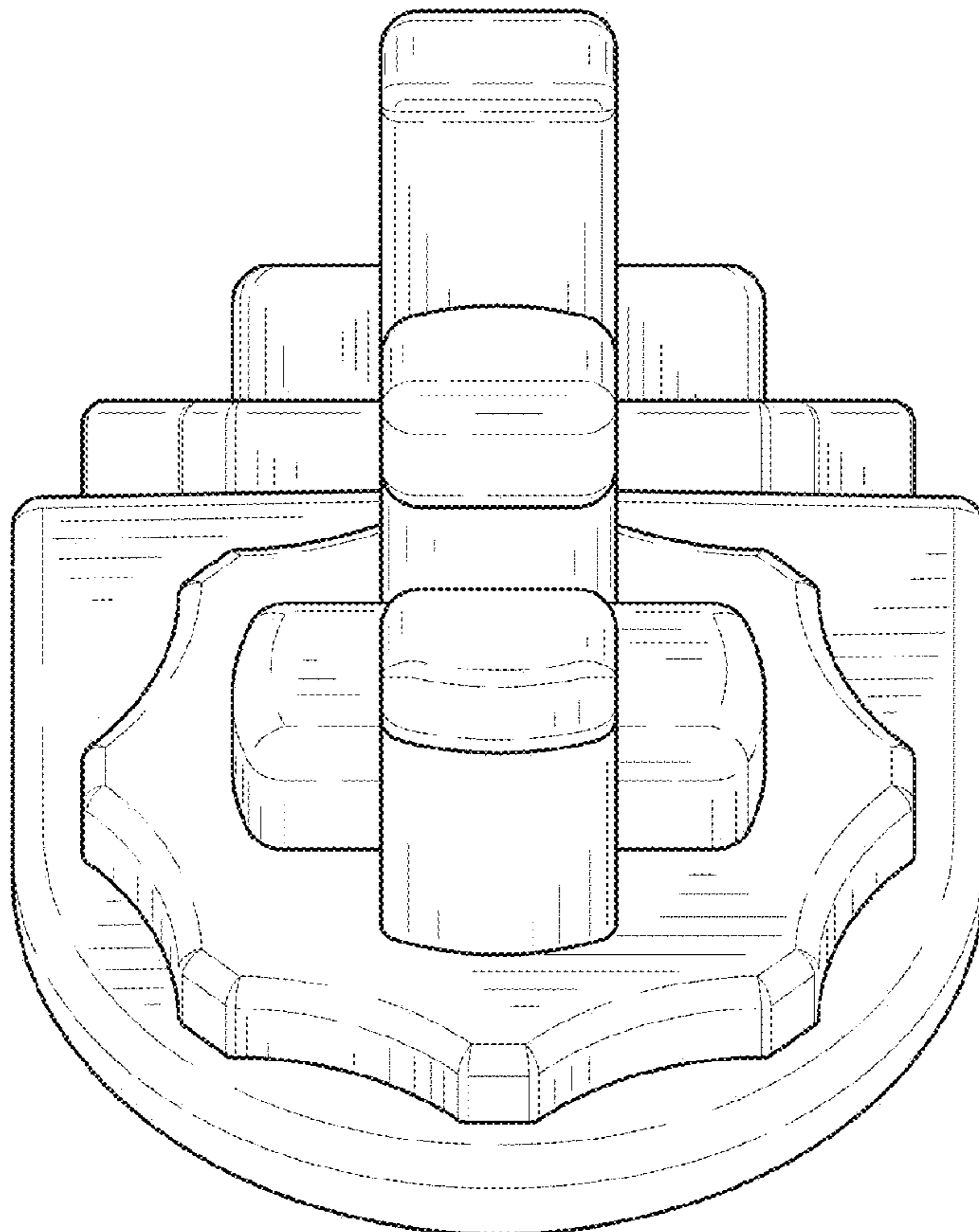


Fig. 7