



US00D936750S

(12) **United States Design Patent**
Wu et al.

(10) **Patent No.:** **US D936,750 S**
(45) **Date of Patent:** **** Nov. 23, 2021**

(54) **SCOOTER**
(71) Applicant: **Zhejiang Taotao Vehicles Co., Ltd.**,
Lishui (CN)
(72) Inventors: **Jianbing Wu**, Chibi (CN); **Haibo Zhu**,
Binhai (CN); **Matao Cao**, Jinhua (CN)
(73) Assignee: **Zhejiang Taotao Vehicles Co., Ltd.**,
Lishui (CN)

6,443,470 B1 * 9/2002 Ulrich B62K 3/002
280/87.041
D645,522 S * 9/2011 Powers D21/423
8,925,935 B2 * 1/2015 Powers B62K 15/00
280/655.1
D877,257 S * 3/2020 Cao D21/423
D877,258 S * 3/2020 Cao D21/423
2012/0049476 A1 * 3/2012 Querro B62K 19/18
280/87.041
2013/0320648 A1 * 12/2013 Eckert B62K 3/002
280/279

(**) Term: **15 Years**
(21) Appl. No.: **29/690,449**
(22) Filed: **May 8, 2019**

* cited by examiner

Primary Examiner — Cynthia M. Chin
(74) *Attorney, Agent, or Firm* — Bayromoglu Law Offices
LLC

(30) **Foreign Application Priority Data**
Jan. 17, 2019 (CN) 201930026721.3
(51) **LOC (13) Cl.** **21-01**
(52) **U.S. Cl.**
USPC **D21/423**
(58) **Field of Classification Search**
USPC D21/419, 421, 423, 760, 765, 771;
D12/1
CPC B62K 3/002; B62K 9/00; B62K 2202/00;
B60Y 2200/126
See application file for complete search history.

(57) **CLAIM**

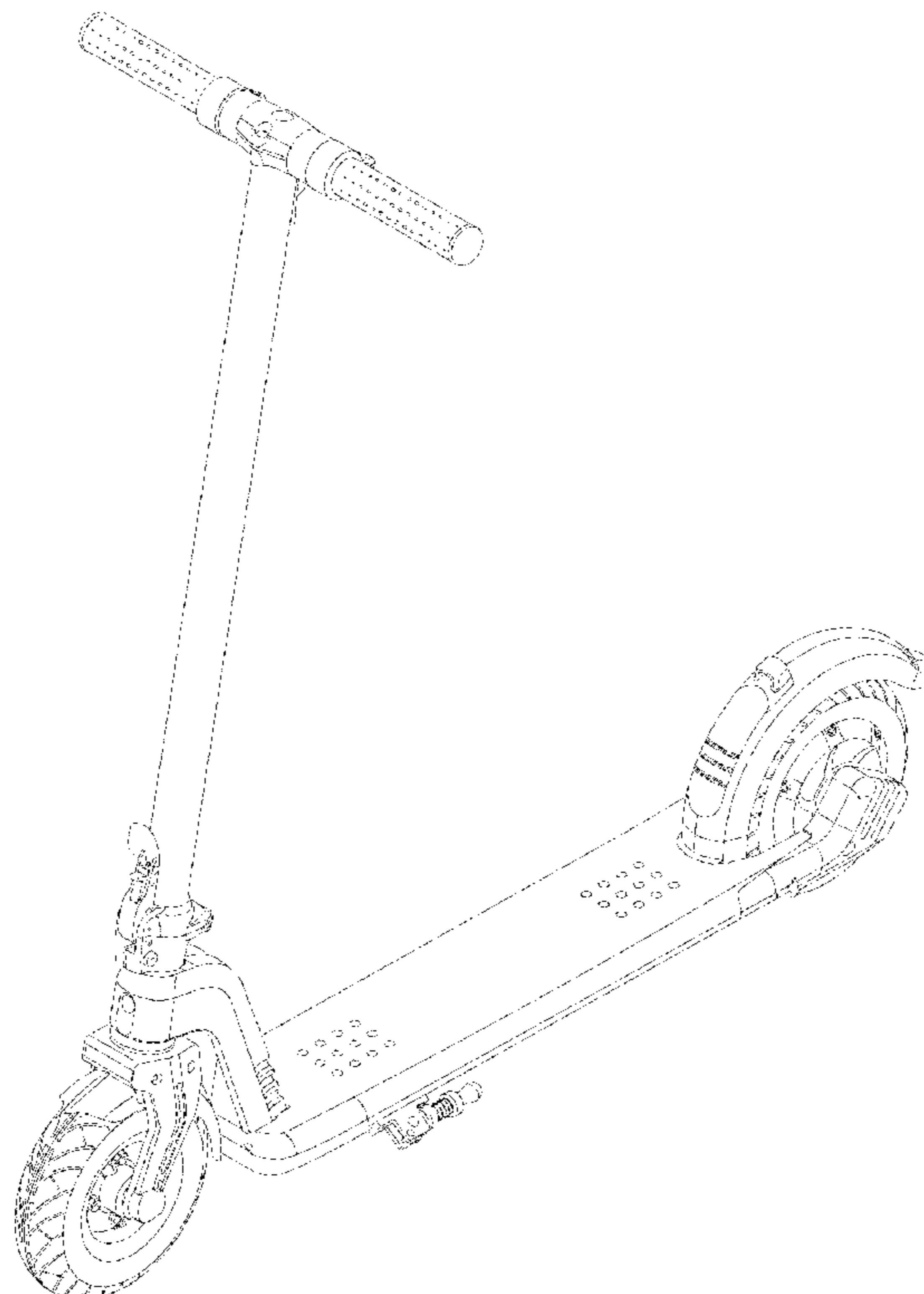
The ornamental design for a scooter, as shown and described.

DESCRIPTION

FIG. 1 is a perspective view of a scooter according to our new design;
FIG. 2 is a left side elevation view thereof;
FIG. 3 is a right side elevation view thereof;
FIG. 4 is a front elevation view thereof;
FIG. 5 is a rear elevation view thereof;
FIG. 6 is a top plan view thereof; and,
FIG. 7 is a bottom plan view thereof.
The broken lines are for the purpose of illustrating portions of the scooter that form no part of the claimed design.

(56) **References Cited**
U.S. PATENT DOCUMENTS
D447,187 S * 8/2001 Powers D21/423
6,431,302 B2 * 8/2002 Patmont B62M 6/45
180/228

1 Claim, 7 Drawing Sheets



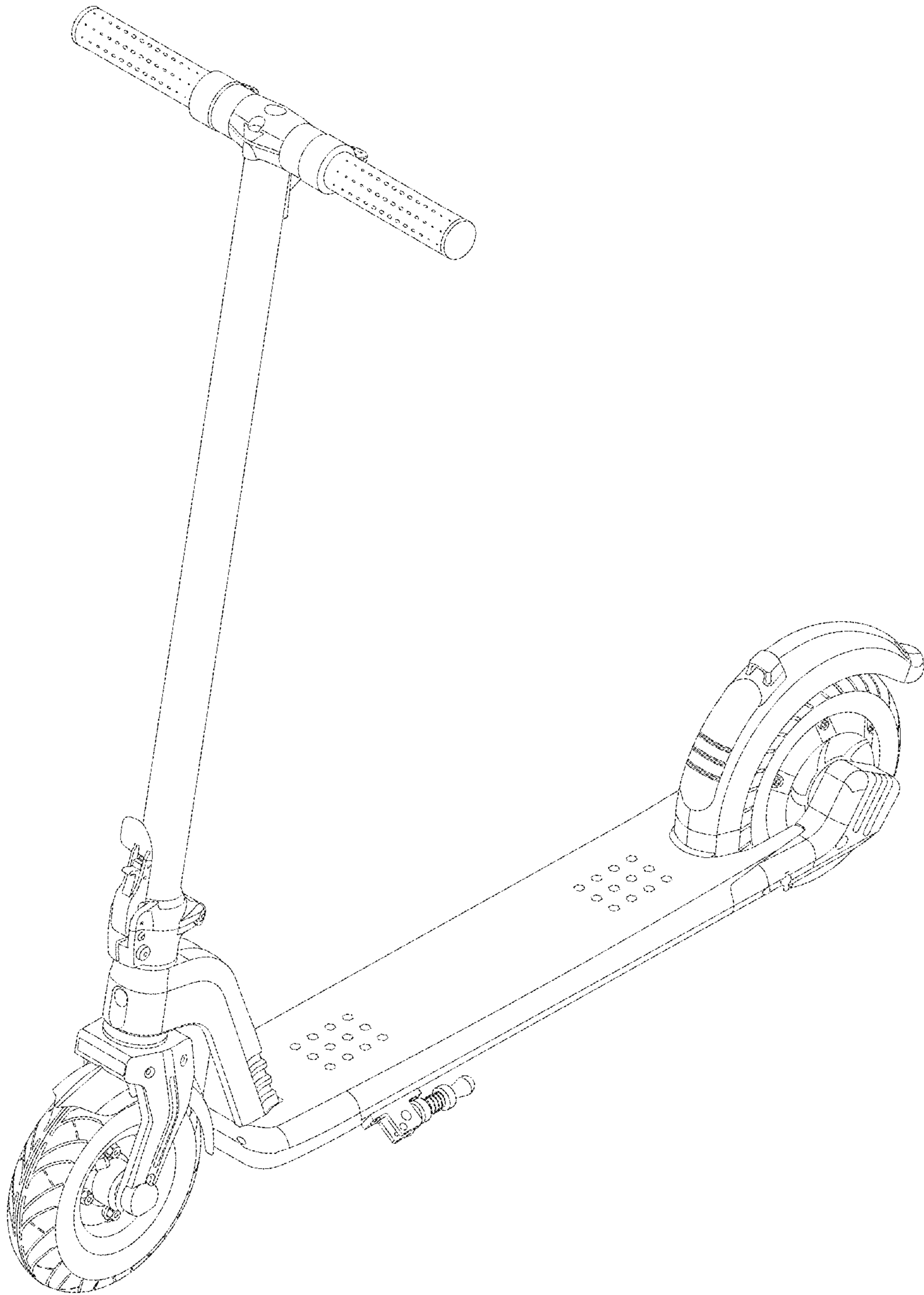


FIG. 1

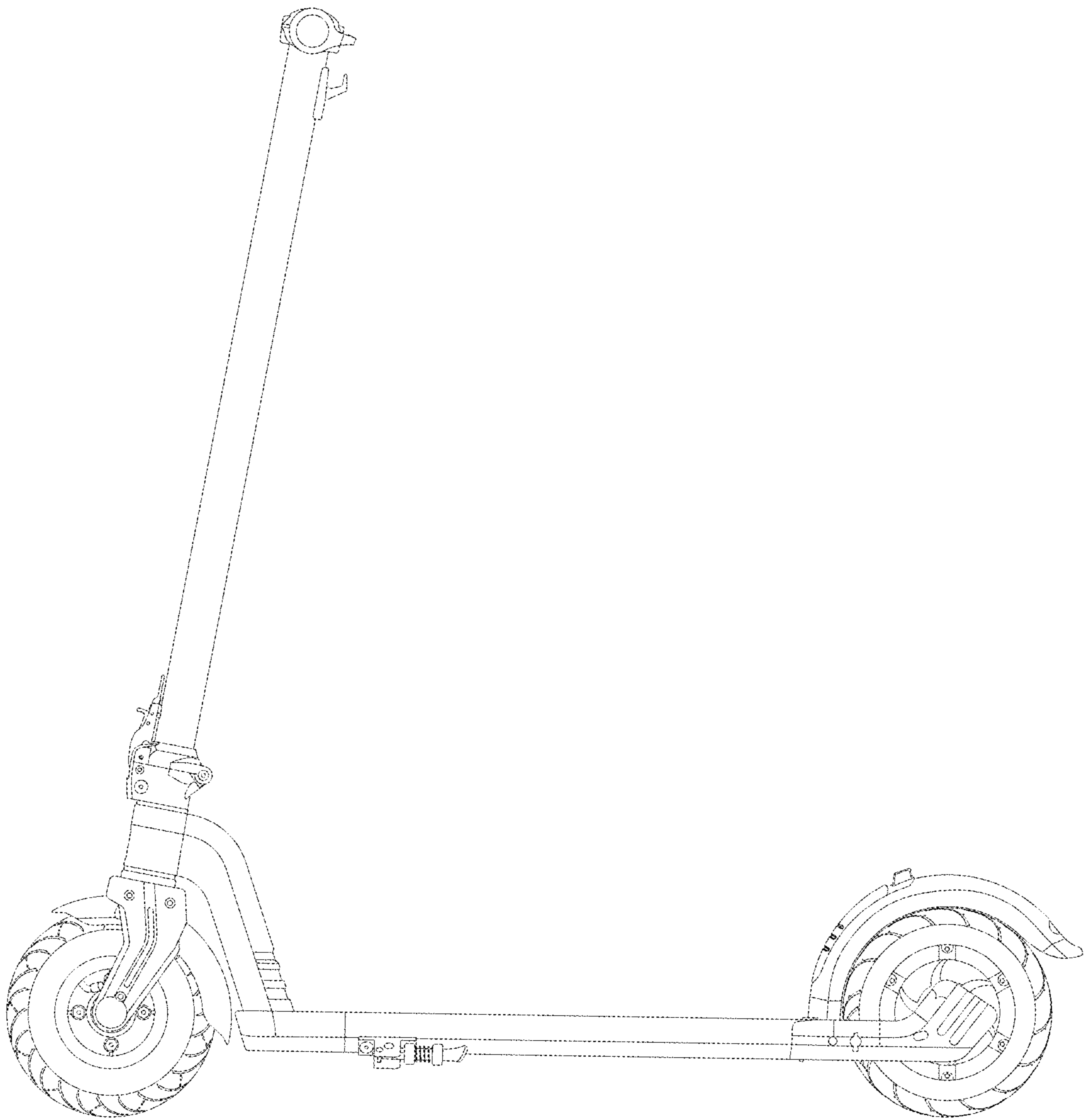


FIG. 2

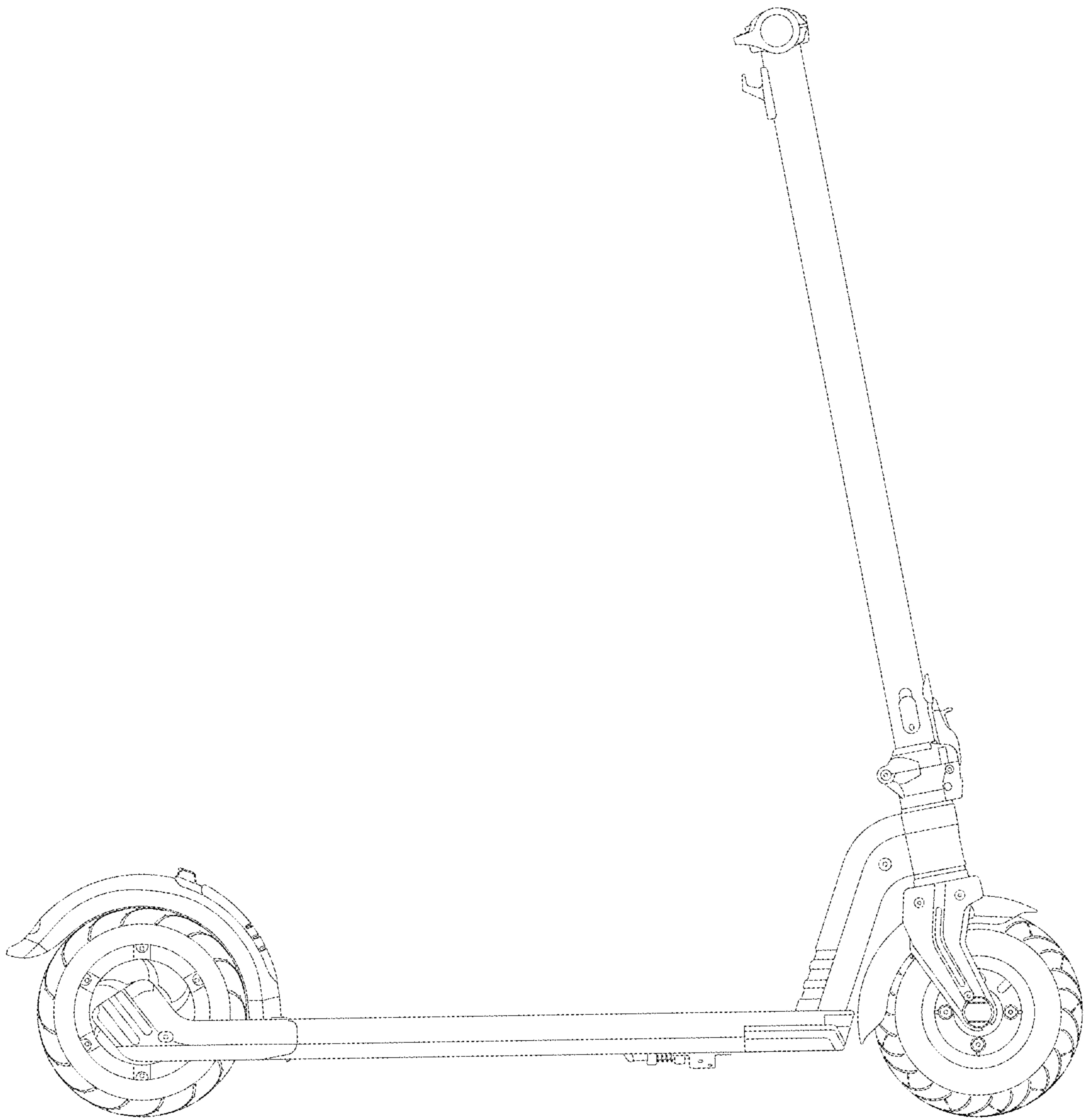


FIG. 3

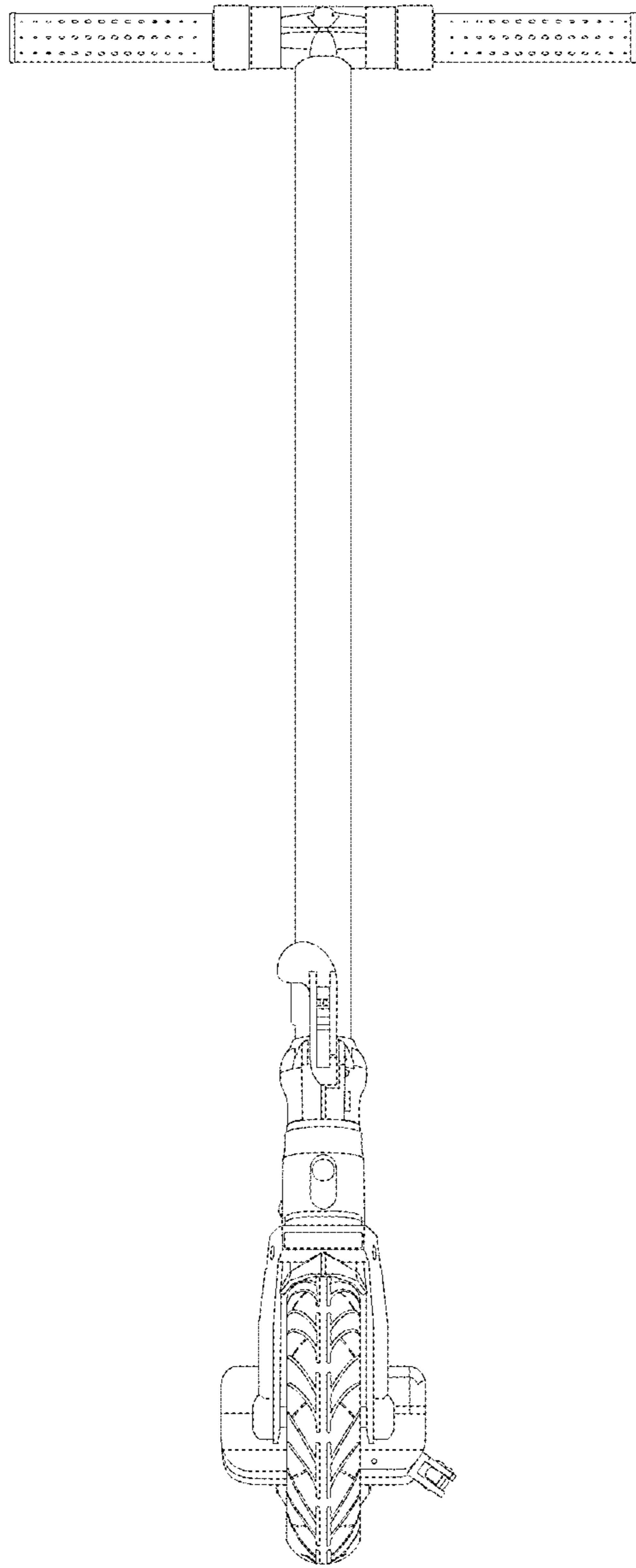


FIG. 4

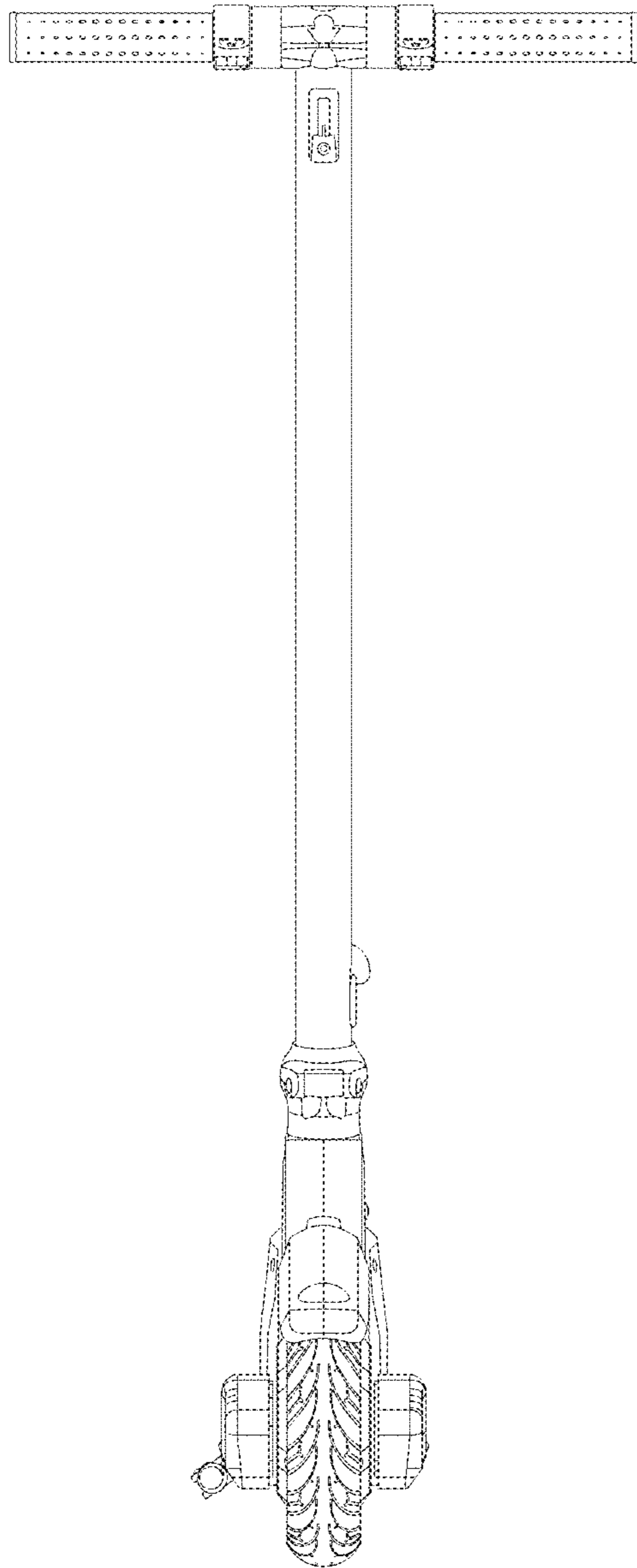


FIG. 5

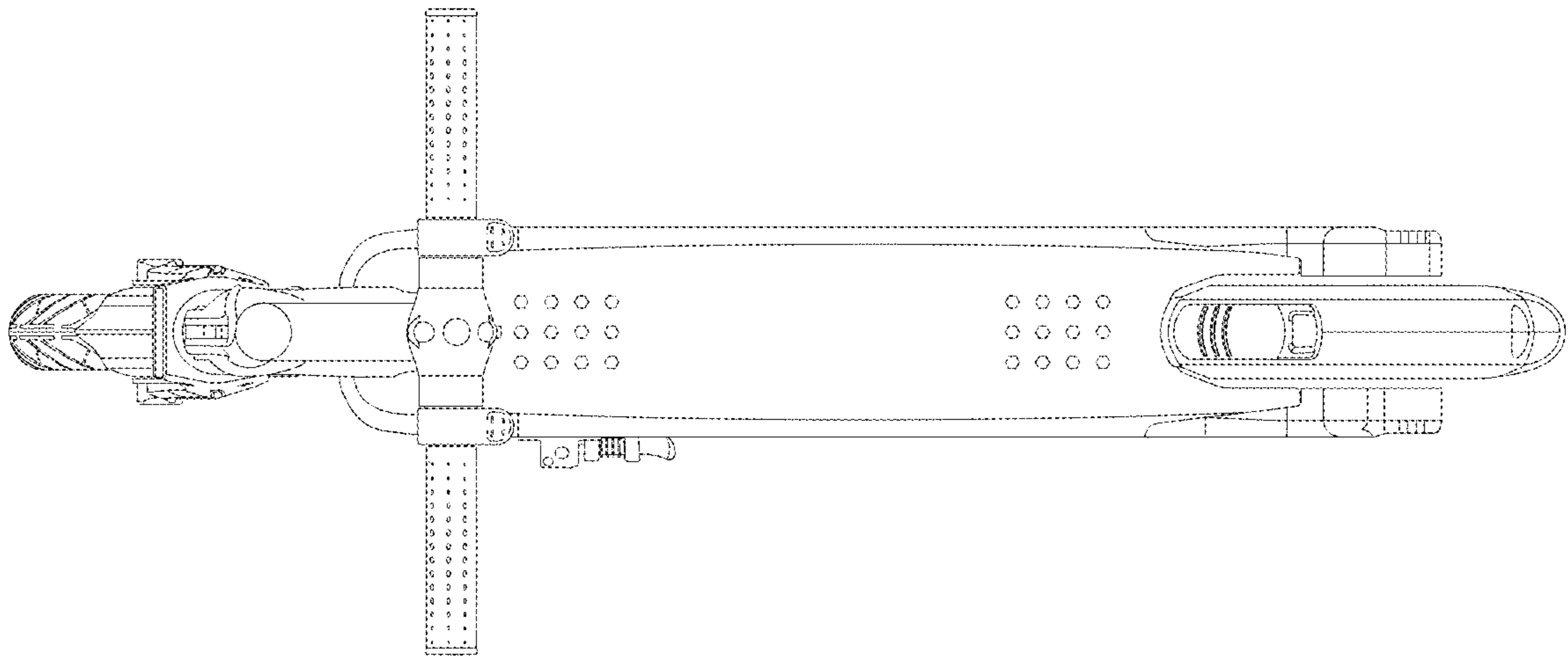


FIG. 6

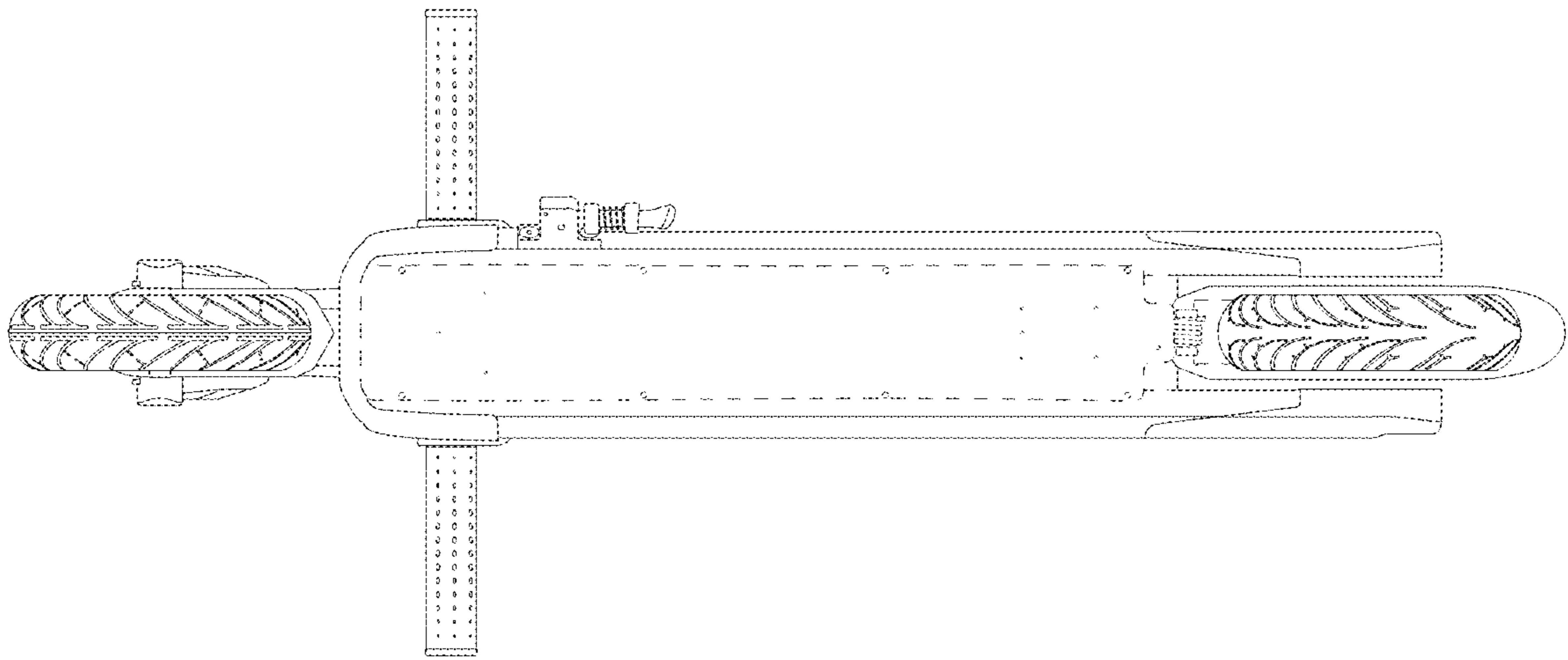


FIG. 7