



US00D936749S

(12) **United States Design Patent**  
**Xu et al.**

(10) **Patent No.:** **US D936,749 S**  
(45) **Date of Patent:** **\*\* Nov. 23, 2021**

(54) **SCOOTER**  
(71) Applicant: **Zhejiang Taotao Vehicles Co., Ltd.**,  
Lishui (CN)  
(72) Inventors: **Wei Xu**, Wulian County (CN); **Haibo**  
**Zhu**, Binhai County (CN); **Jianbing**  
**Wu**, Chibi (CN); **Hongxia Zhu**, Lishui  
(CN)  
(73) Assignee: **Zhejiang Taotao Vehicles Co., Ltd.**,  
Lishui (CN)

6,443,470 B1 \* 9/2002 Ulrich ..... B62K 3/002  
280/87.041  
D645,522 S \* 9/2011 Powers ..... D21/423  
8,925,935 B2 \* 1/2015 Powers ..... B62K 15/00  
280/655.1  
D877,257 S \* 3/2020 Cao ..... D21/423  
D877,258 S \* 3/2020 Cao ..... D21/423  
2012/0049476 A1 \* 3/2012 Querro ..... B62K 19/18  
280/87.041  
2013/0320648 A1 \* 12/2013 Eckert ..... B62K 3/002  
280/279

(\*\*) Term: **15 Years**

\* cited by examiner

(21) Appl. No.: **29/689,044**

*Primary Examiner* — Cynthia M. Chin

(22) Filed: **Apr. 26, 2019**

(74) *Attorney, Agent, or Firm* — Bayramoglu Law Offices  
LLC

(30) **Foreign Application Priority Data**

(57) **CLAIM**

Oct. 29, 2018 (CN) ..... 201830606572.3

The ornamental design for a scooter, as shown and  
described.

(51) **LOC (13) Cl.** ..... **21-01**

(52) **U.S. Cl.**  
USPC ..... **D21/423**

(58) **Field of Classification Search**  
USPC ..... D21/419, 421, 423, 760, 765, 771;  
D12/1  
CPC ..... B62K 3/002; B62K 9/00; B62K 2202/00;  
B60Y 2200/126  
See application file for complete search history.

**DESCRIPTION**

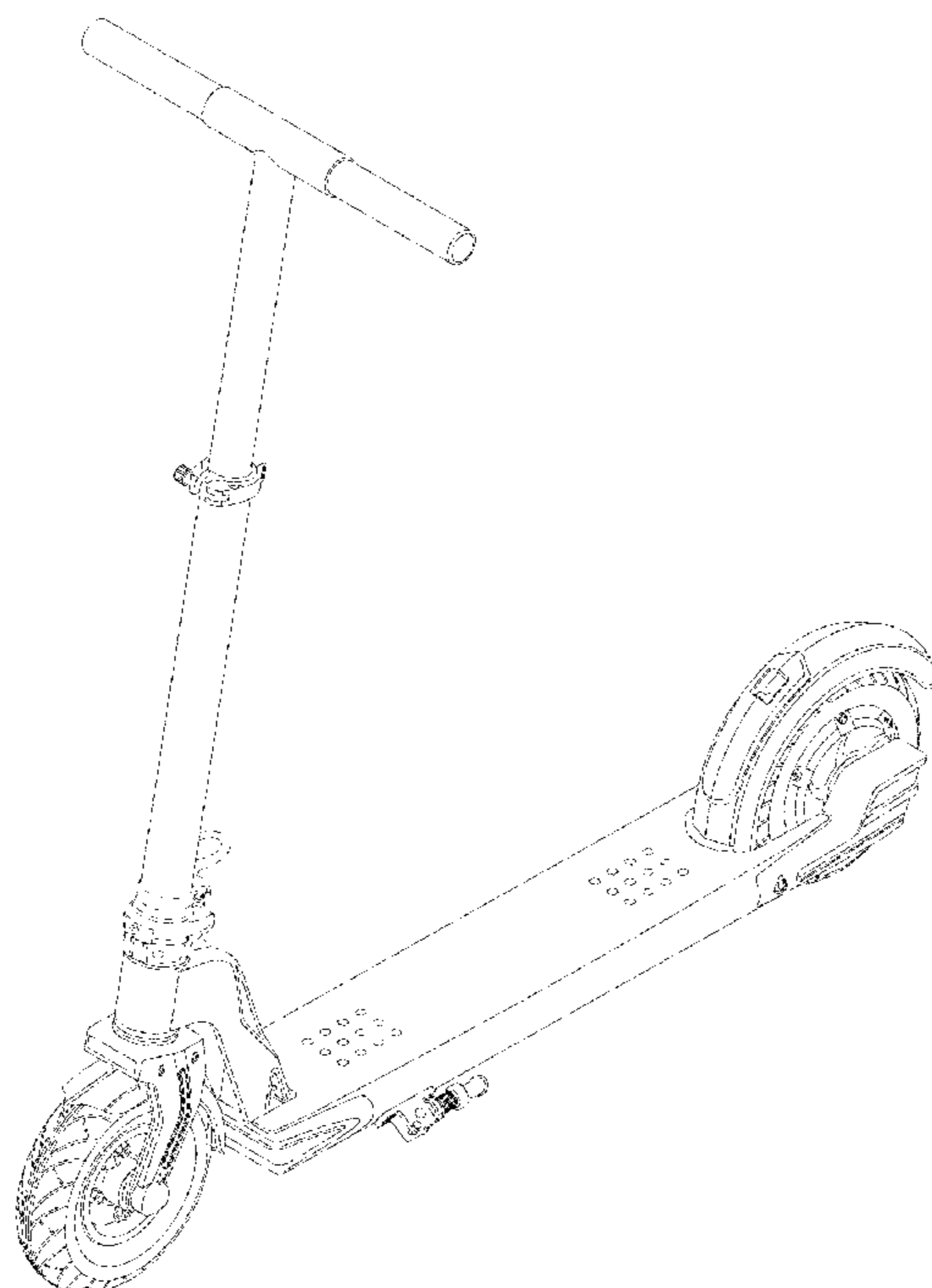
(56) **References Cited**

FIG. 1 is a perspective view of a scooter according to our  
new design;  
FIG. 2 is a left side elevation view thereof;  
FIG. 3 is a right side elevation view thereof;  
FIG. 4 is a front elevation view thereof;  
FIG. 5 is a rear elevation view thereof;  
FIG. 6 is a top plan view thereof; and,  
FIG. 7 is a bottom plan view thereof.  
The broken lines are for the purpose of illustrating portions  
of the scooter that form no part of the claimed design.

**U.S. PATENT DOCUMENTS**

D447,187 S \* 8/2001 Powers ..... D21/423  
6,431,302 B2 \* 8/2002 Patmont ..... B62M 6/45  
180/228

**1 Claim, 7 Drawing Sheets**



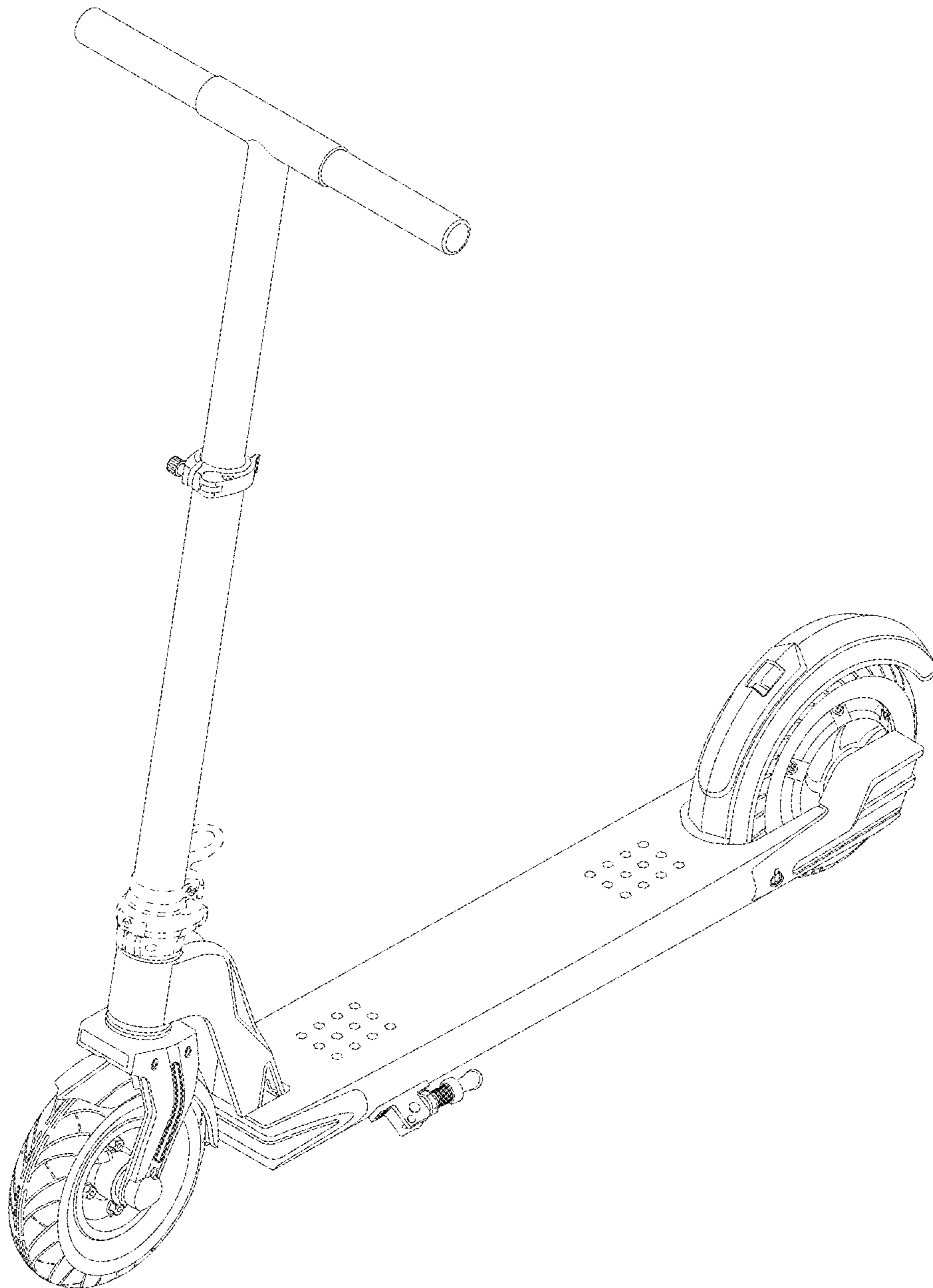


FIG. 1

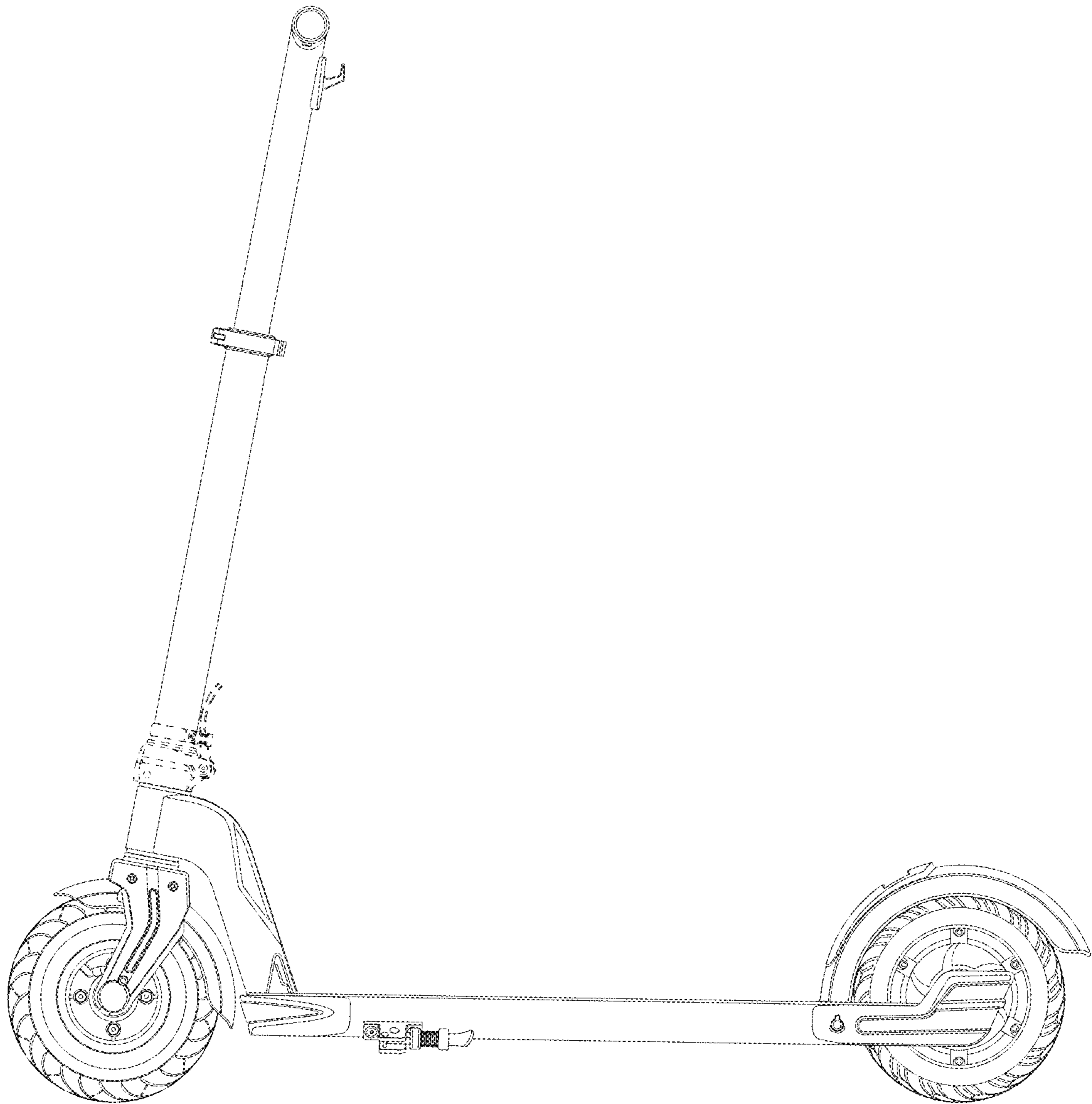


FIG. 2

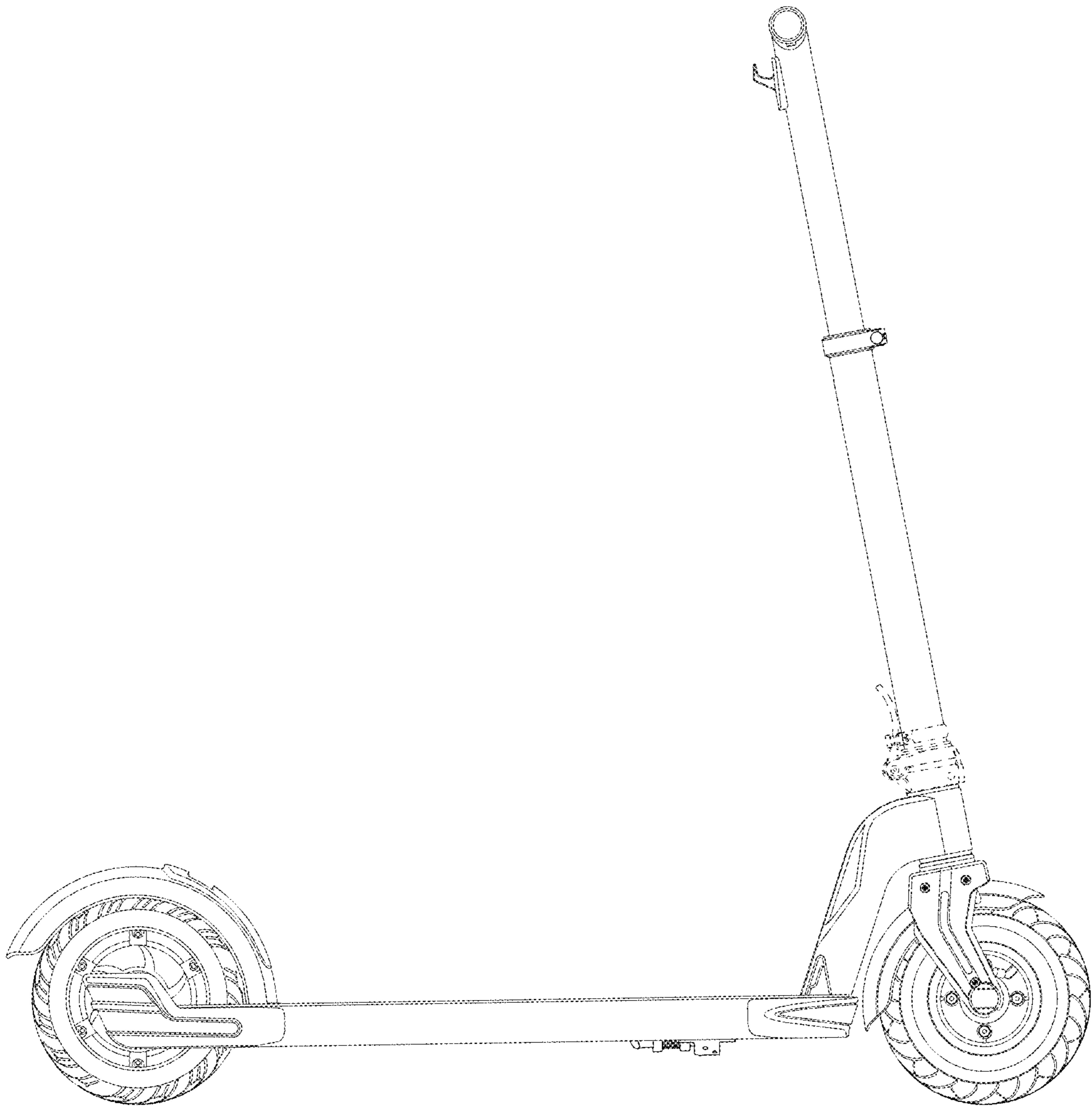


FIG. 3

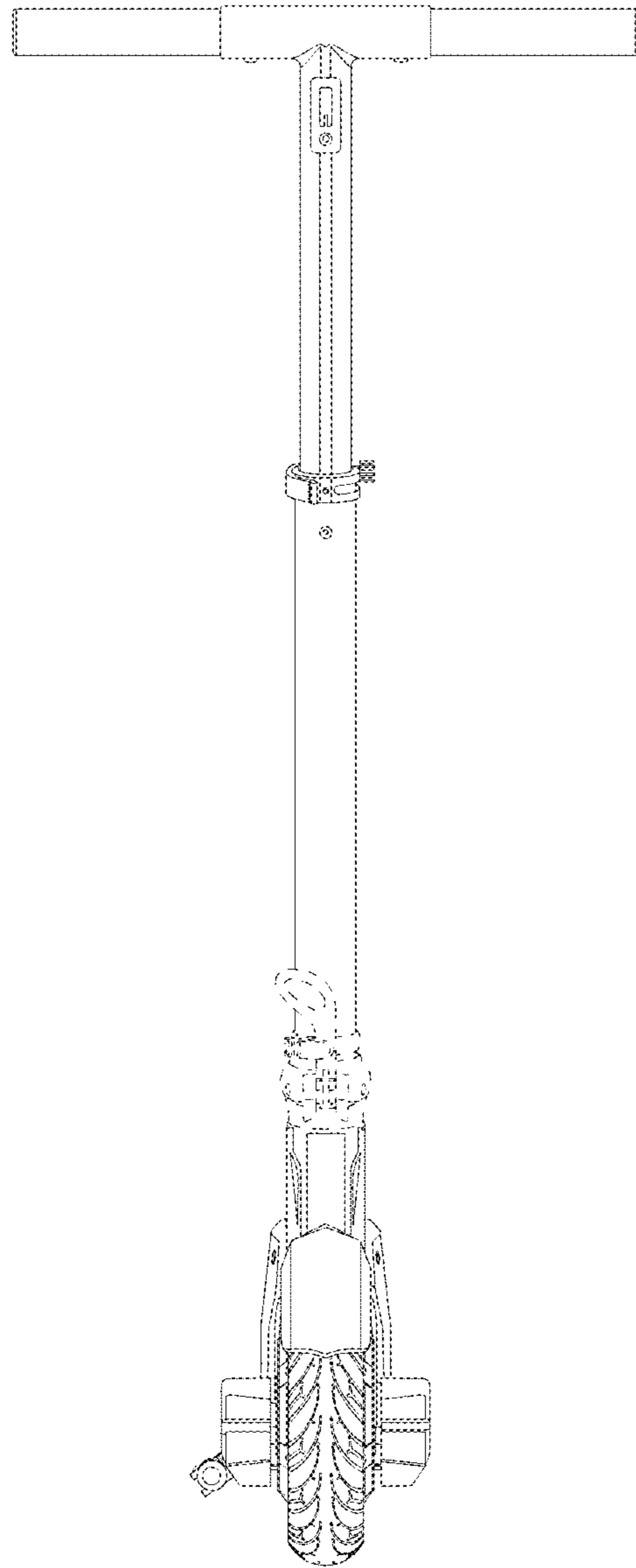


FIG. 4

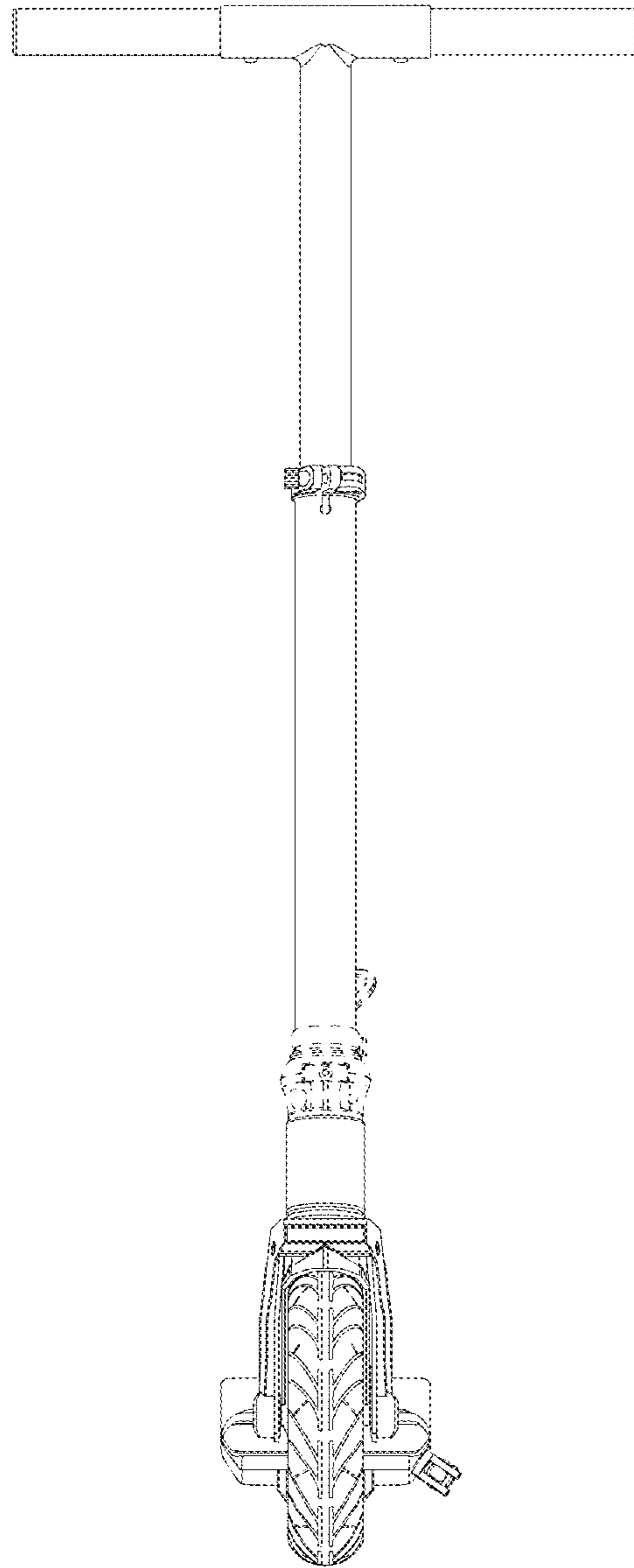


FIG. 5

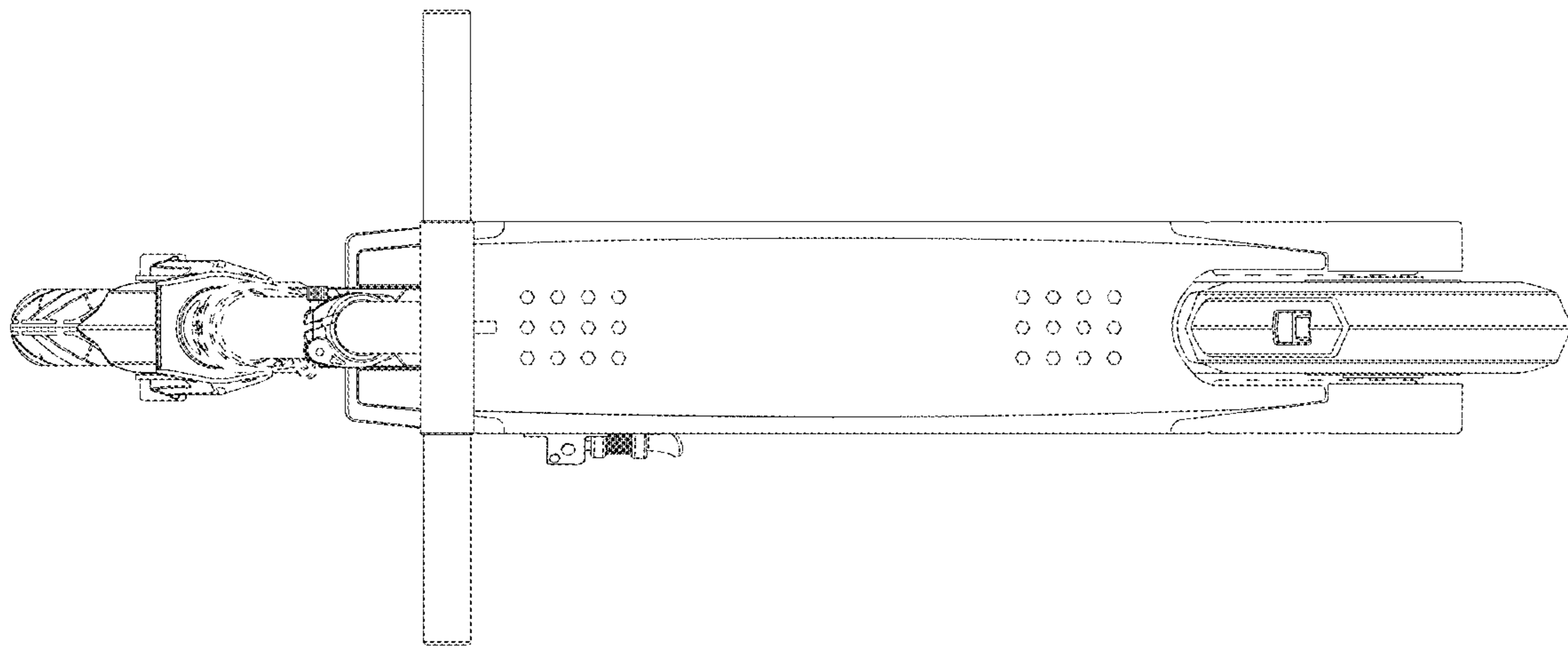


FIG. 6

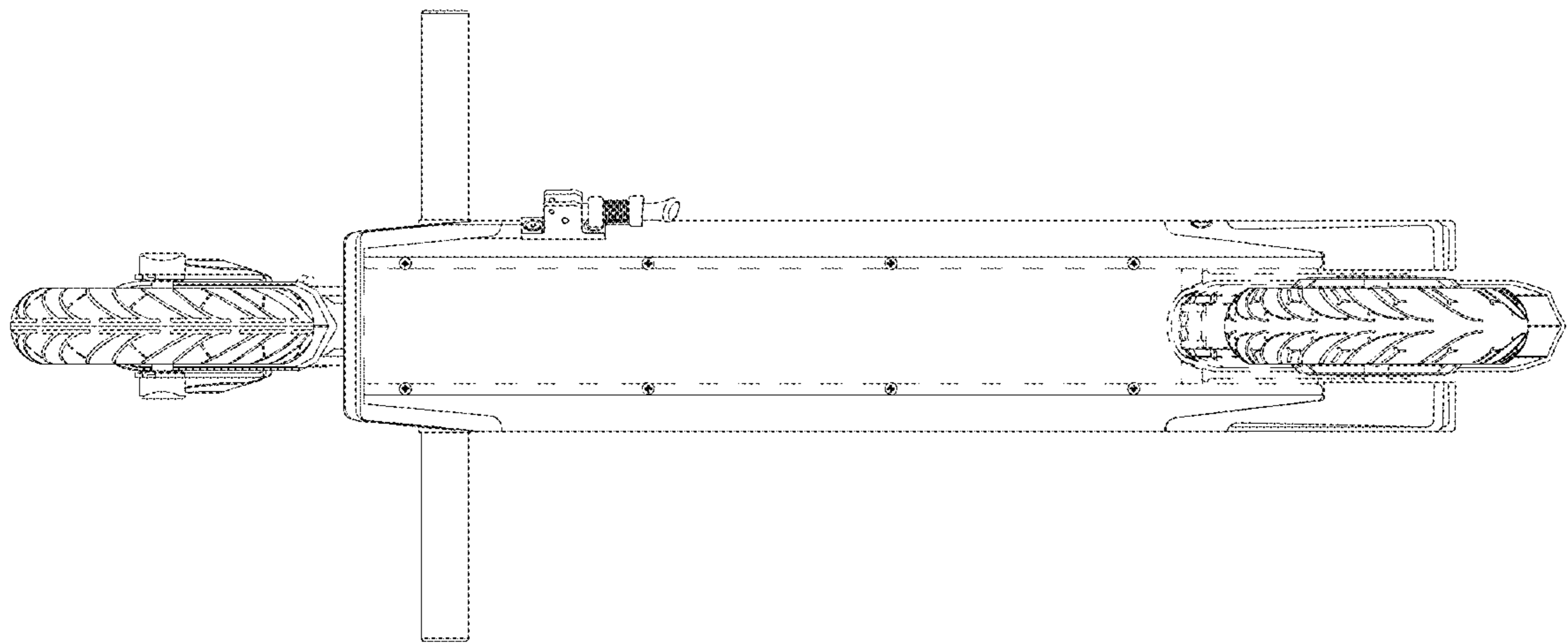


FIG. 7