



US00D936747S

(12) **United States Design Patent**
Edwards et al.

(10) **Patent No.:** **US D936,747 S**

(45) **Date of Patent:** **** Nov. 23, 2021**

(54) **GAMING SYSTEM**

(71) Applicant: **IGT, Las Vegas, NV (US)**

(72) Inventors: **Douglas Edwards**, Henderson, NV (US); **Theodore J. Swanson**, Henderson, NV (US); **Brandon Bruno**, Cherry Hill, NJ (US); **Matteo Carli**, Reno, NV (US); **Paul Baskerville**, Las Vegas, NV (US)

(73) Assignee: **IGT, Las Vegas, NV (US)**

(**) Term: **15 Years**

(21) Appl. No.: **29/721,081**

(22) Filed: **Jan. 17, 2020**

(51) **LOC (13) Cl.** **21-03**

(52) **U.S. Cl.**
USPC **D21/369**

(58) **Field of Classification Search**
USPC D21/369, 324, 333, 395, 300, 371, 385, D21/397, 363, 365, 366, 367, 325, 642, D21/370, 383, 360, 415, 428, 584, 329, D21/349, 393
See application file for complete search history.

(56) **References Cited**

U.S. PATENT DOCUMENTS

D197,214 S *	12/1963	Dreyfuss	D6/640
D397,161 S *	8/1998	Hanscom	D21/369
D508,269 S *	8/2005	Wichinsky	D21/325
D714,392 S *	9/2014	Arabian	D21/369
D727,869 S *	4/2015	Jarema, III	D14/172
D729,321 S *	5/2015	Arabian	D21/369
D810,830 S *	2/2018	Sharp	D21/329
D833,534 S *	11/2018	Lee	D21/369
D846,649 S *	4/2019	Schoonmaker	D21/369
D871,506 S *	12/2019	Castro	D21/369

D880,604 S *	4/2020	Olive	D21/369
D907,129 S *	1/2021	Olive	D21/395
2008/0246214 A1 *	10/2008	Toyoda	G07F 17/3211 273/146

OTHER PUBLICATIONS

“Baccarat Gaming Systems”, available prior to Jan. 17, 2020 (2 pages).

(Continued)

Primary Examiner — Khawaja Anwar

Assistant Examiner — Julice Seung Eun Oum

(74) *Attorney, Agent, or Firm* — Neal, Gerber & Eisenberg LLP

(57) **CLAIM**

The ornamental design for a gaming system, as shown and described herein.

DESCRIPTION

FIG. 1 is at front perspective view of a gaming system of one embodiment of our new design.

FIG. 2 is a front view of the gaming system of FIG. 1.

FIG. 3 is a right side view of the gaming system of FIG. 1.

FIG. 4 is a left side view of the gaming system of FIG. 1.

FIG. 5 is a top view of the gaming system of FIG. 1.

FIG. 6 is at front perspective view of a gaming system of another embodiment of our new design.

FIG. 7 is a front view of the gaming system of FIG. 6.

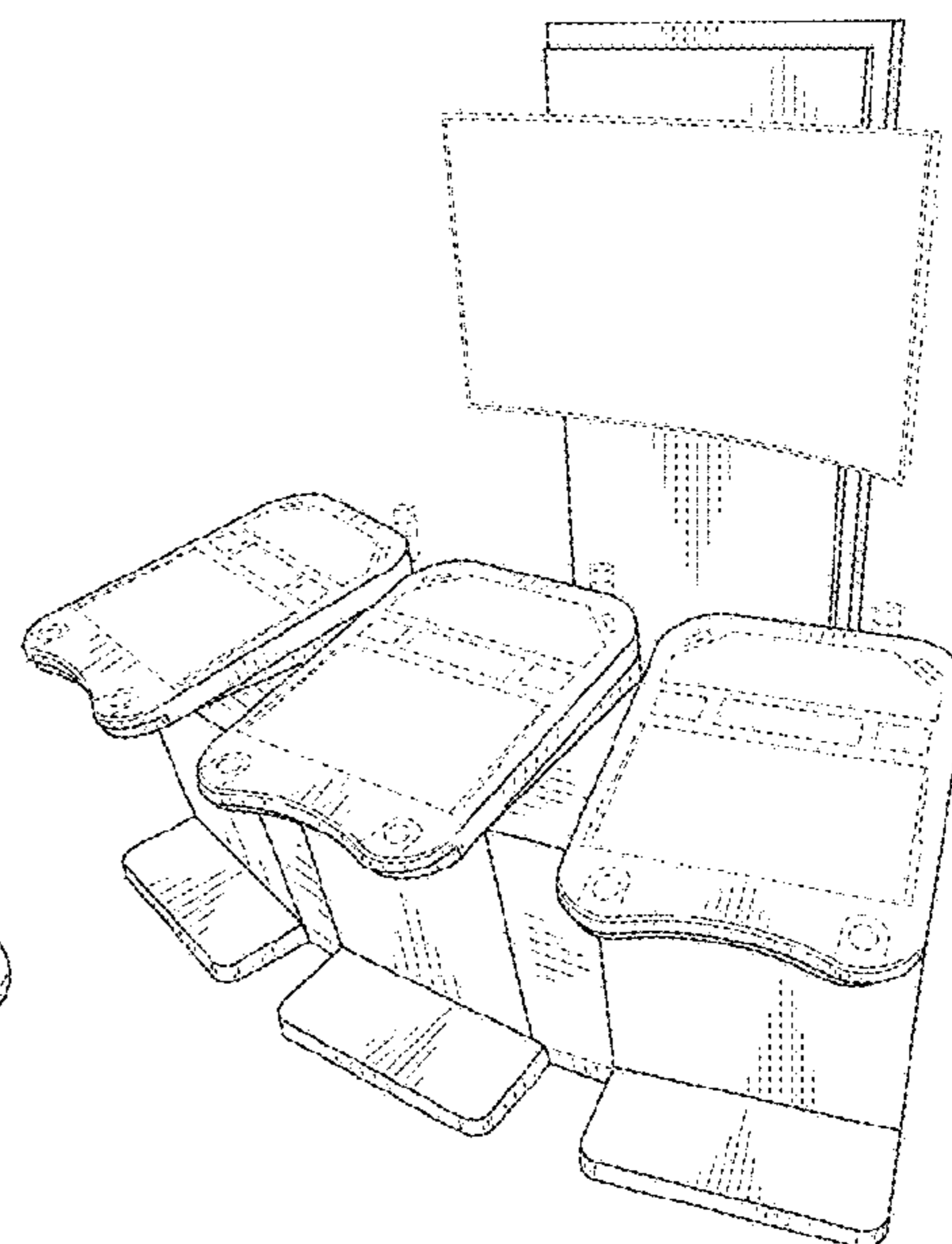
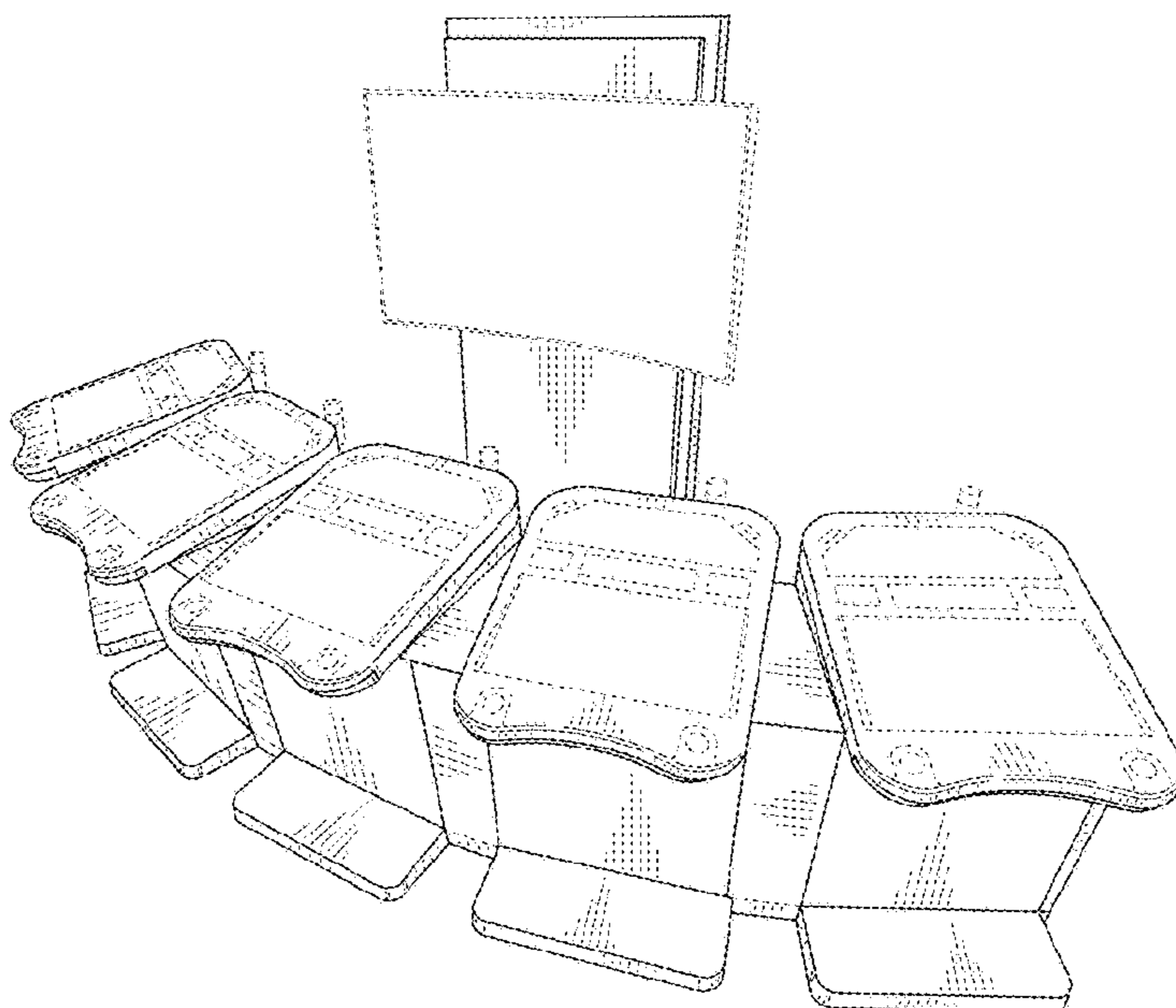
FIG. 8 is a right side view of the gaming system of FIG. 6.

FIG. 9 is a left side view of the gaming system of FIG. 6; and,

FIG. 10 is a top view of the gaming system of FIG. 6.

The portions shown in phantom are not part of the claimed design.

1 Claim, 10 Drawing Sheets



(56)

References Cited

OTHER PUBLICATIONS

“Black Jack Gaming System”, available prior to Jan. 17, 2020 (1 page).

“Black Jack Gaming Systems”, available prior to Jan. 17, 2020 (3 pages).

“Roulette Gaming System”, available prior to Jan. 17, 2020 (1 page).

“Stadium Gaming System”, available prior to Jan. 17, 2020 (1 page).

* cited by examiner

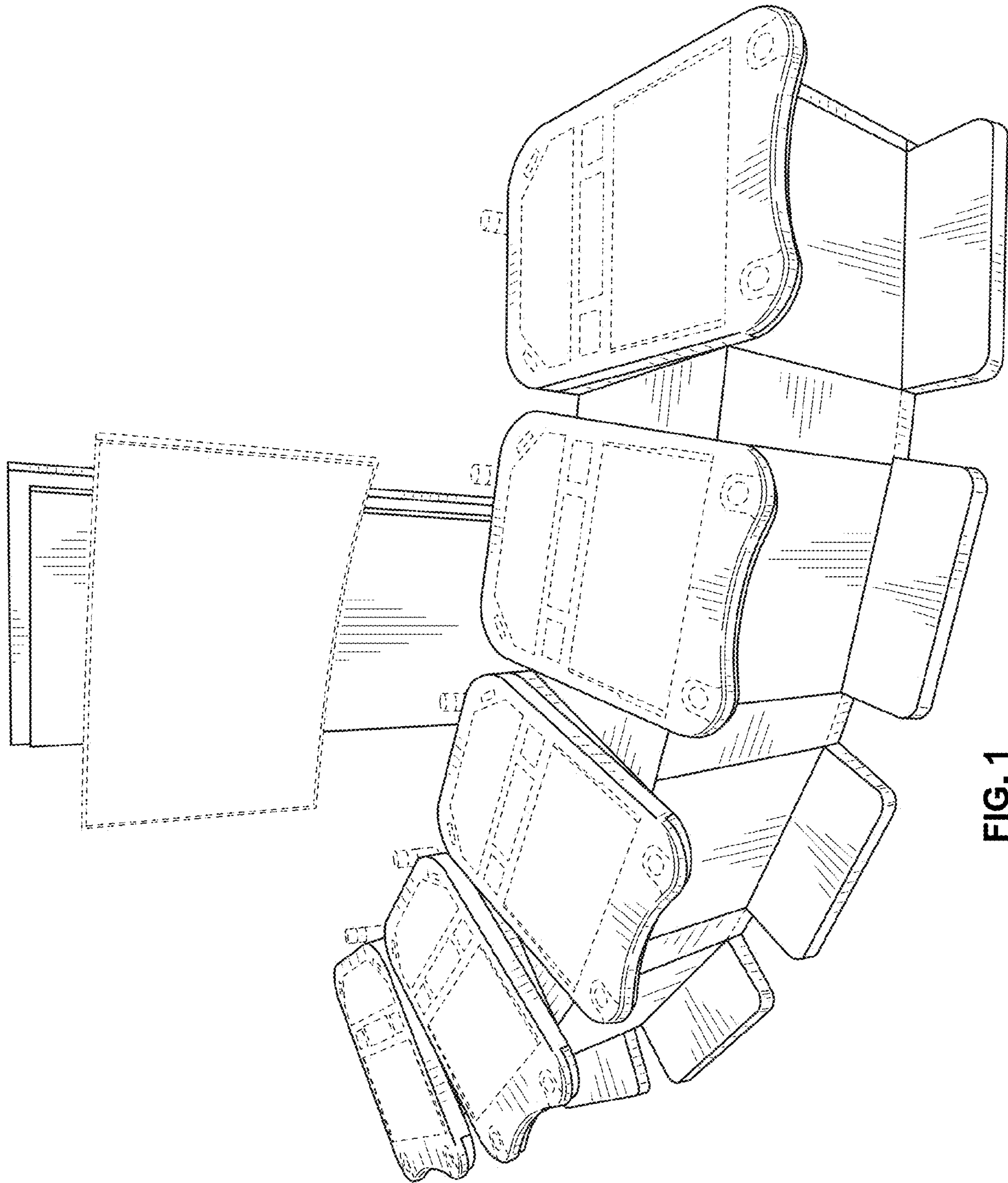


FIG. 1

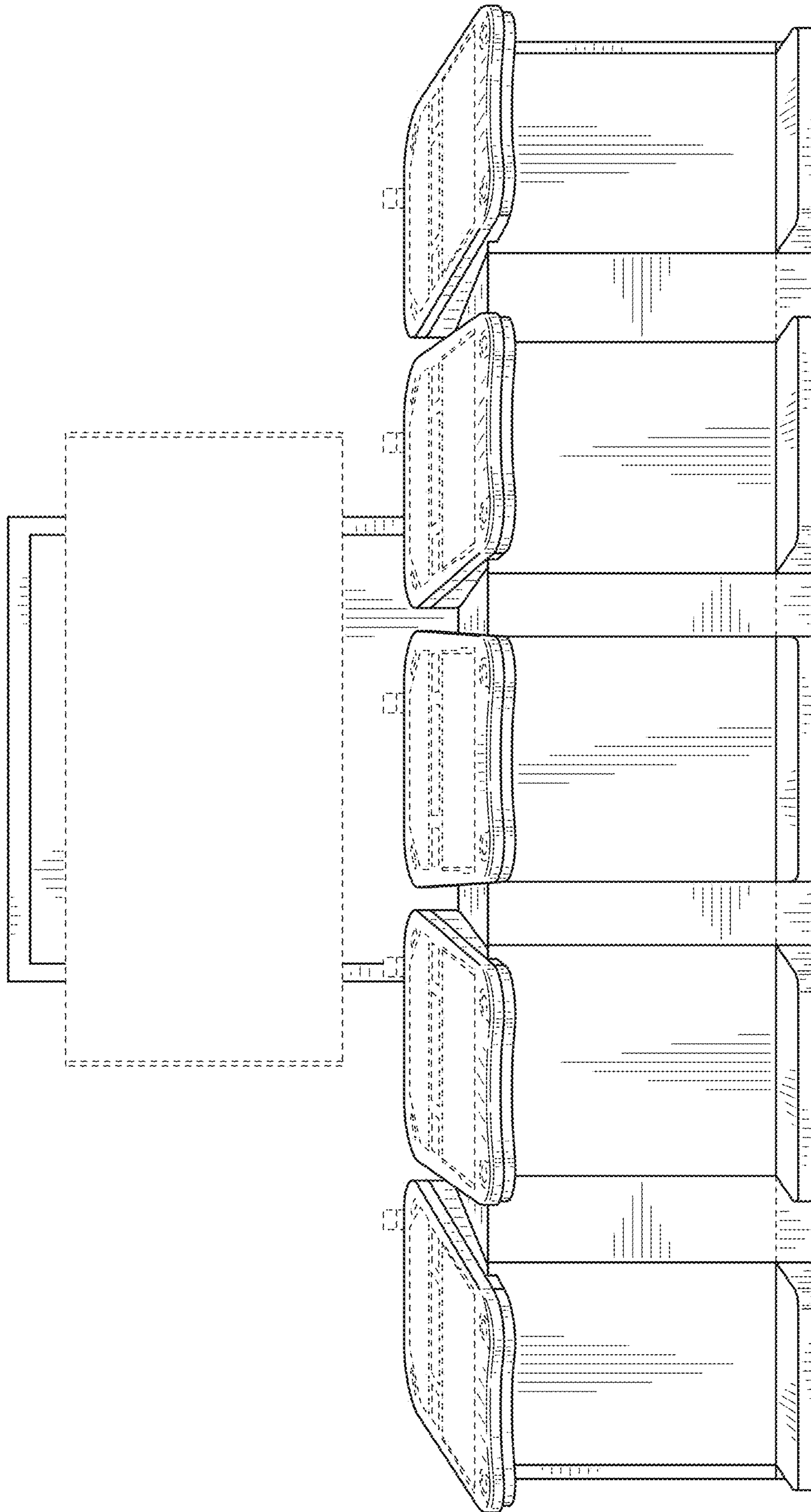


FIG. 2

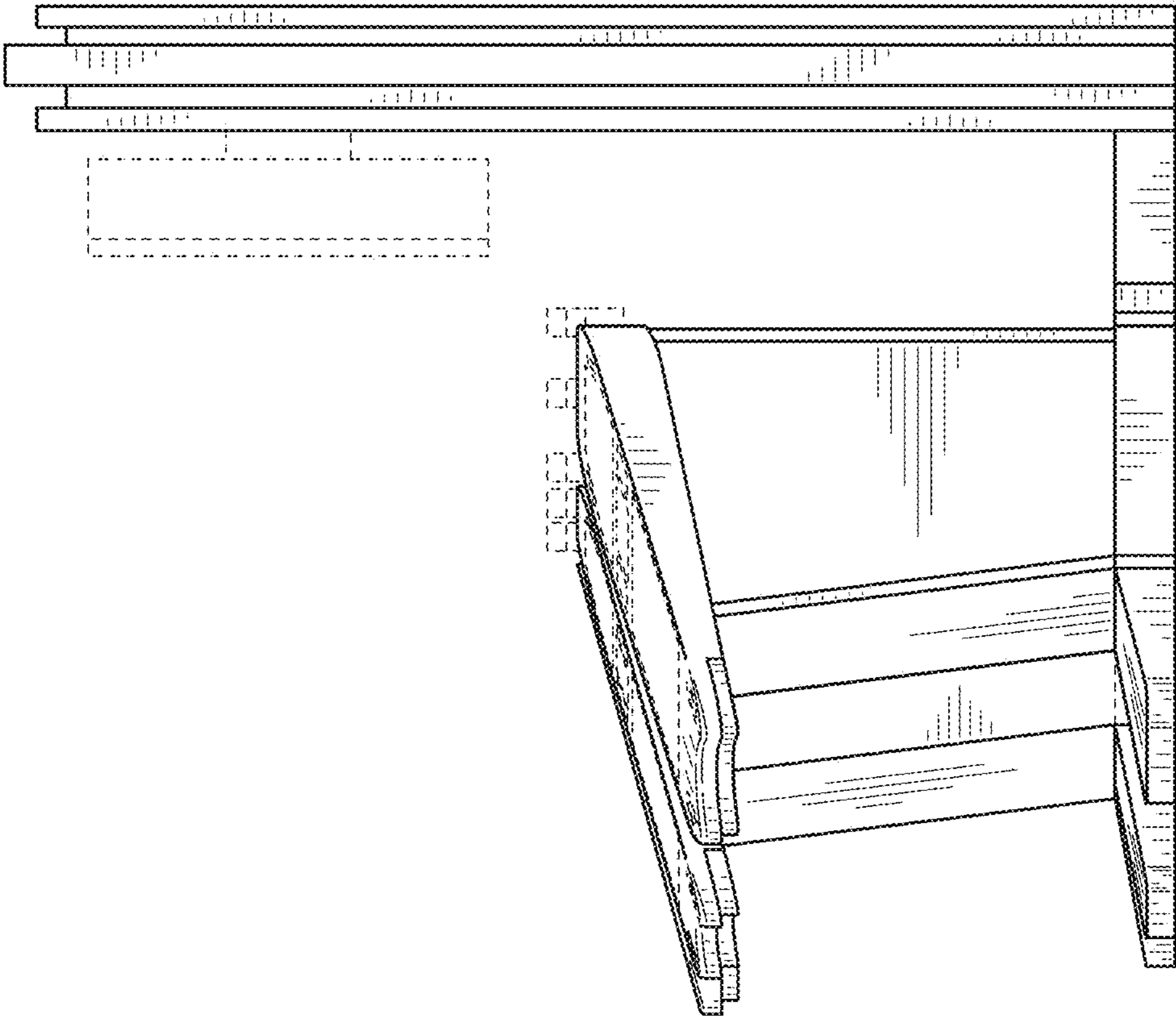


FIG. 3

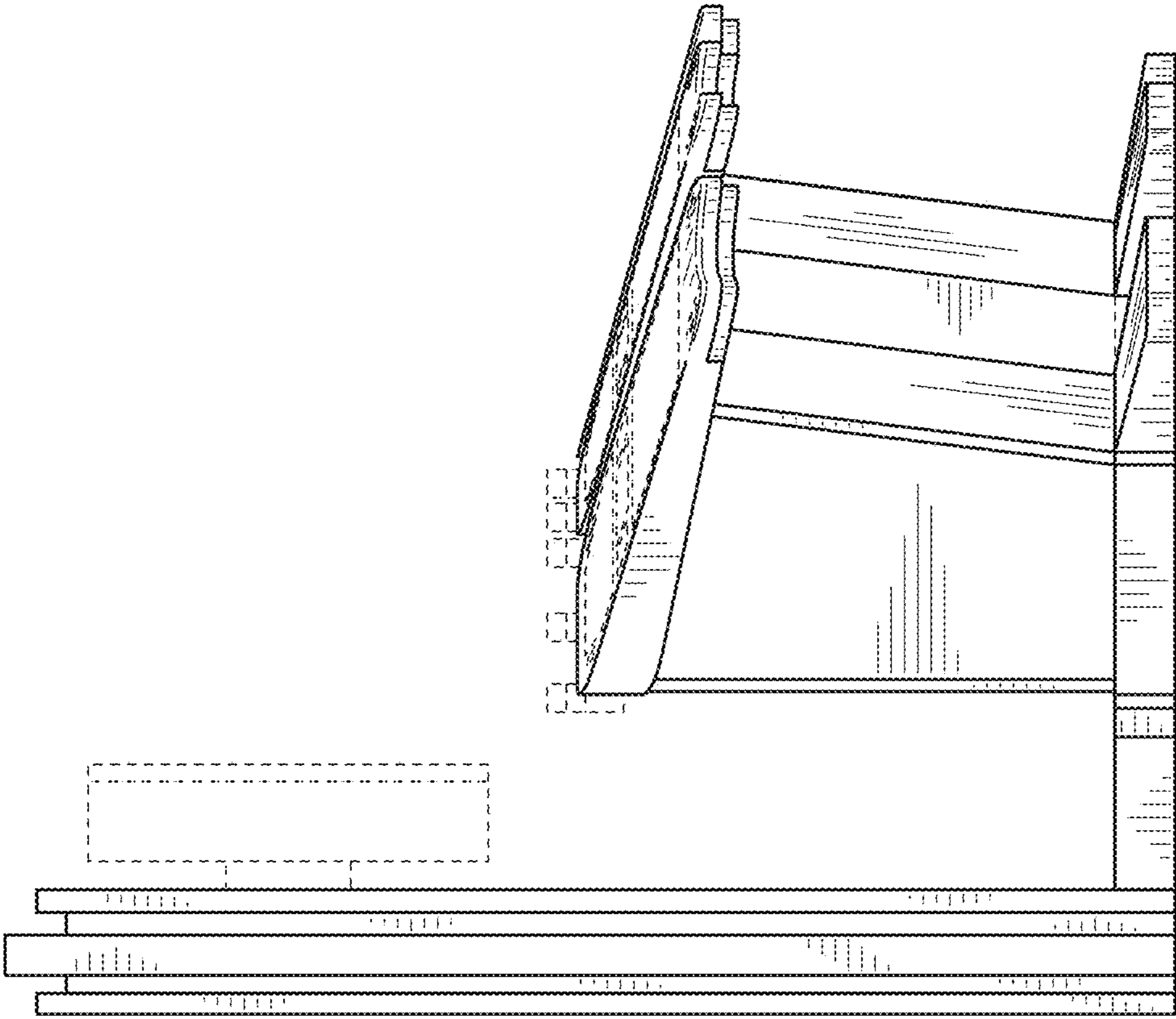


FIG. 4

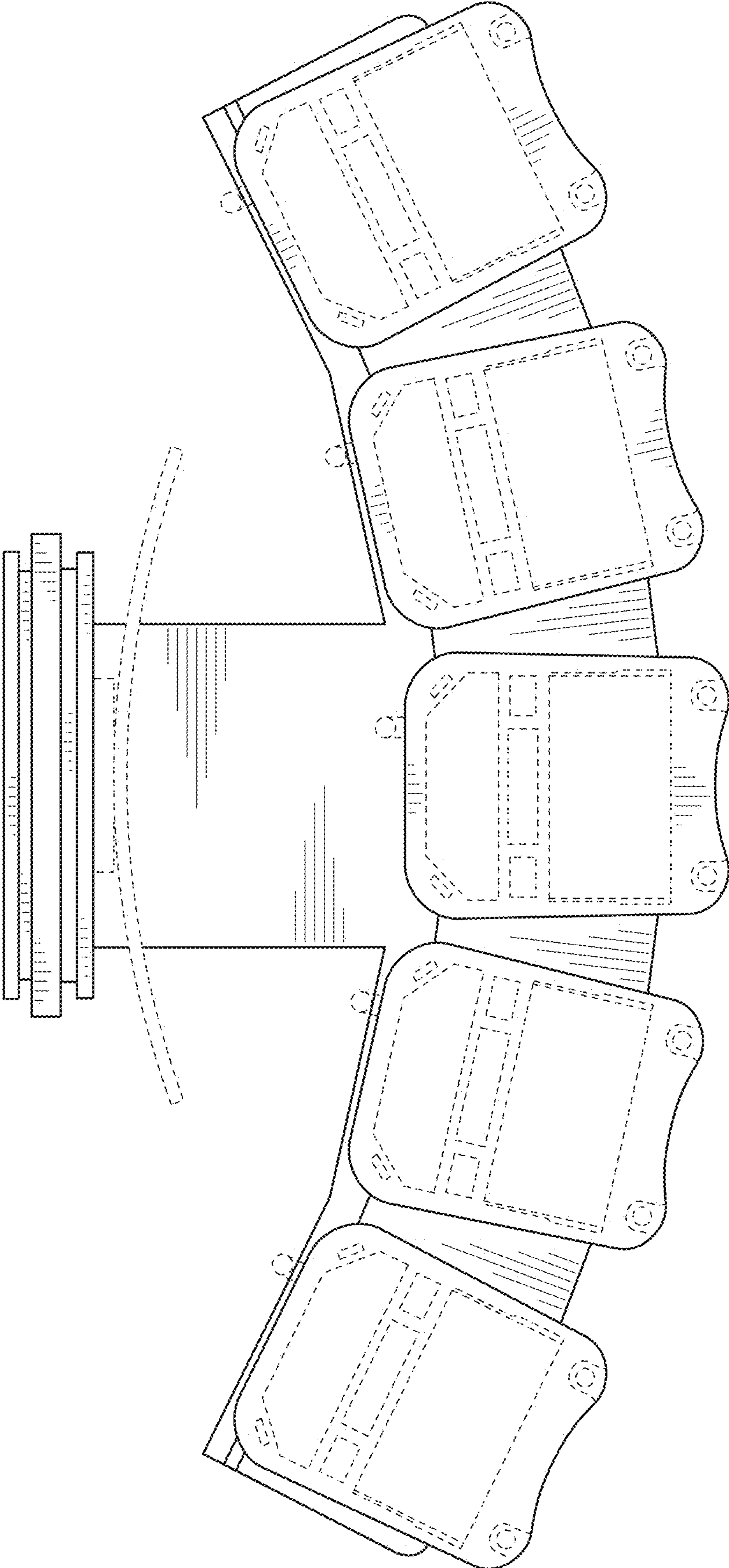


FIG. 5

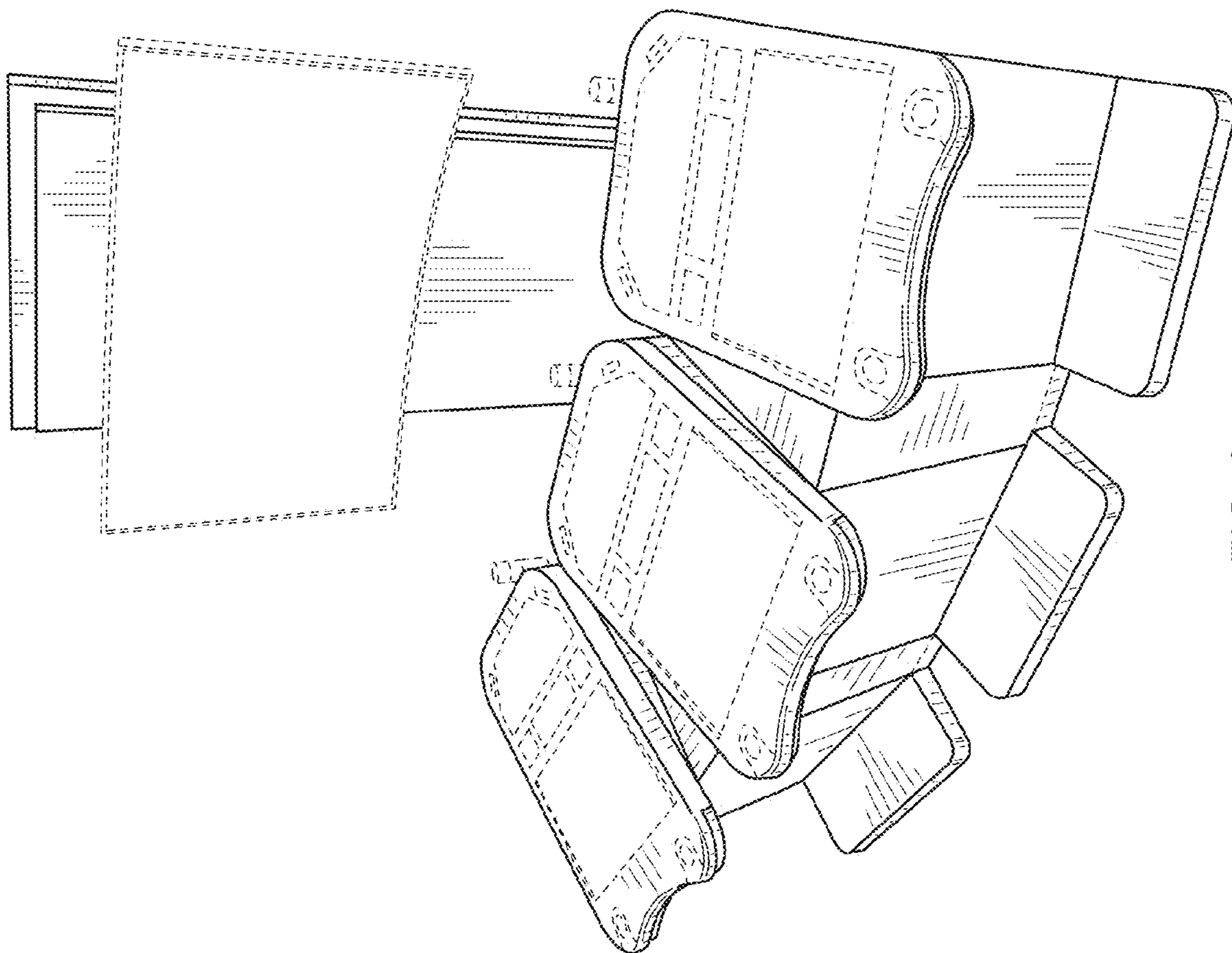


FIG. 6

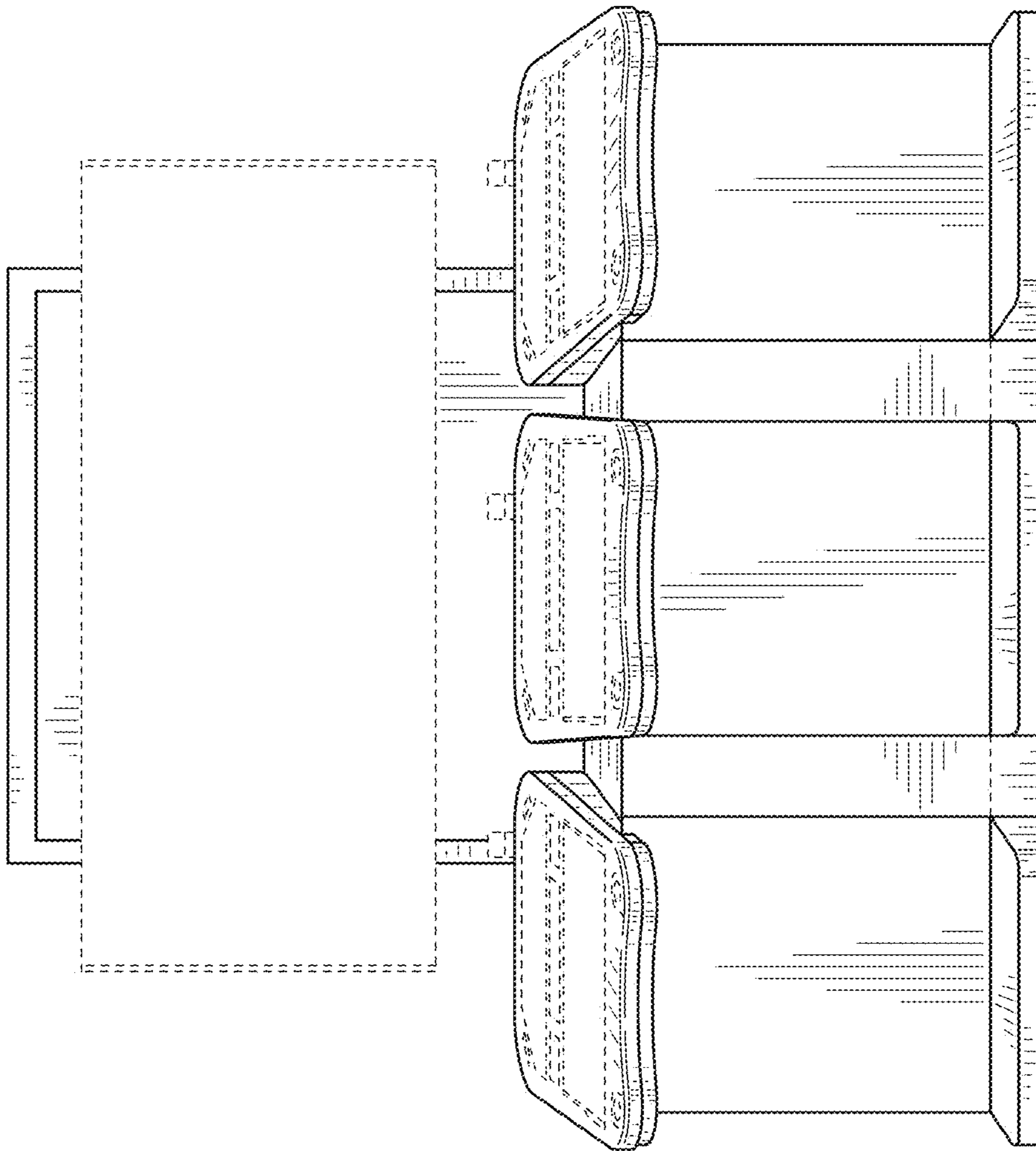


FIG. 7

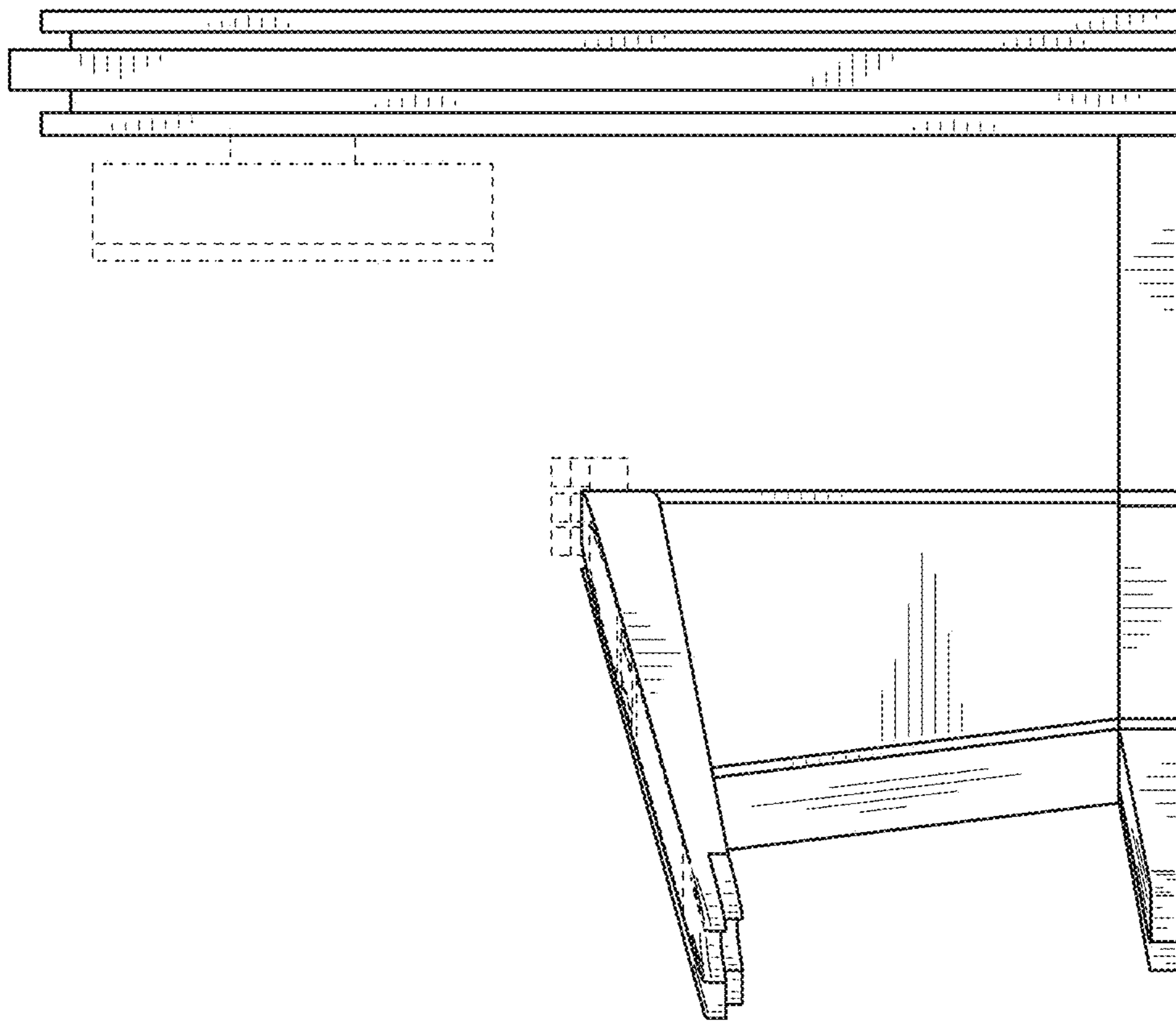


FIG. 8

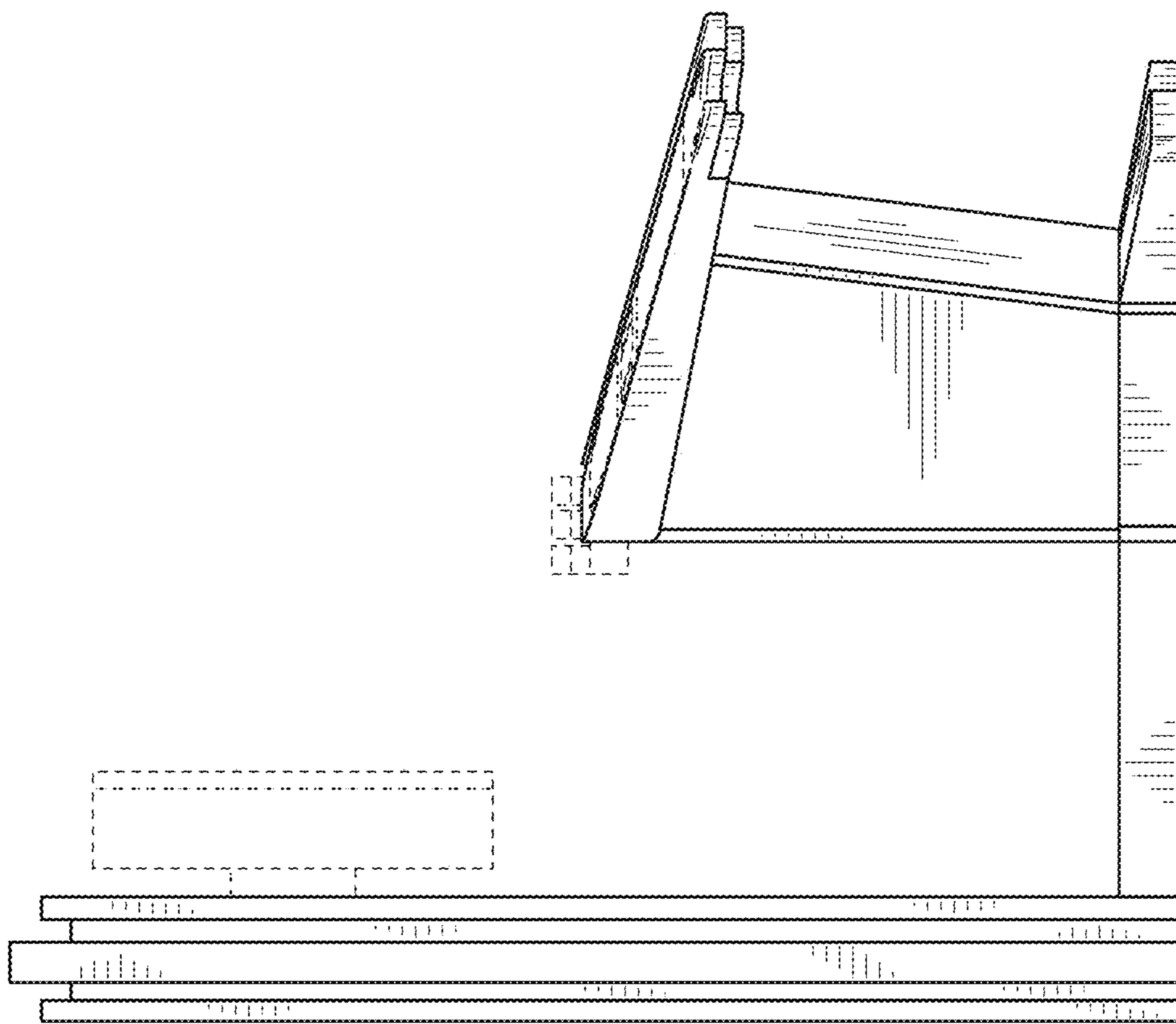


FIG. 9

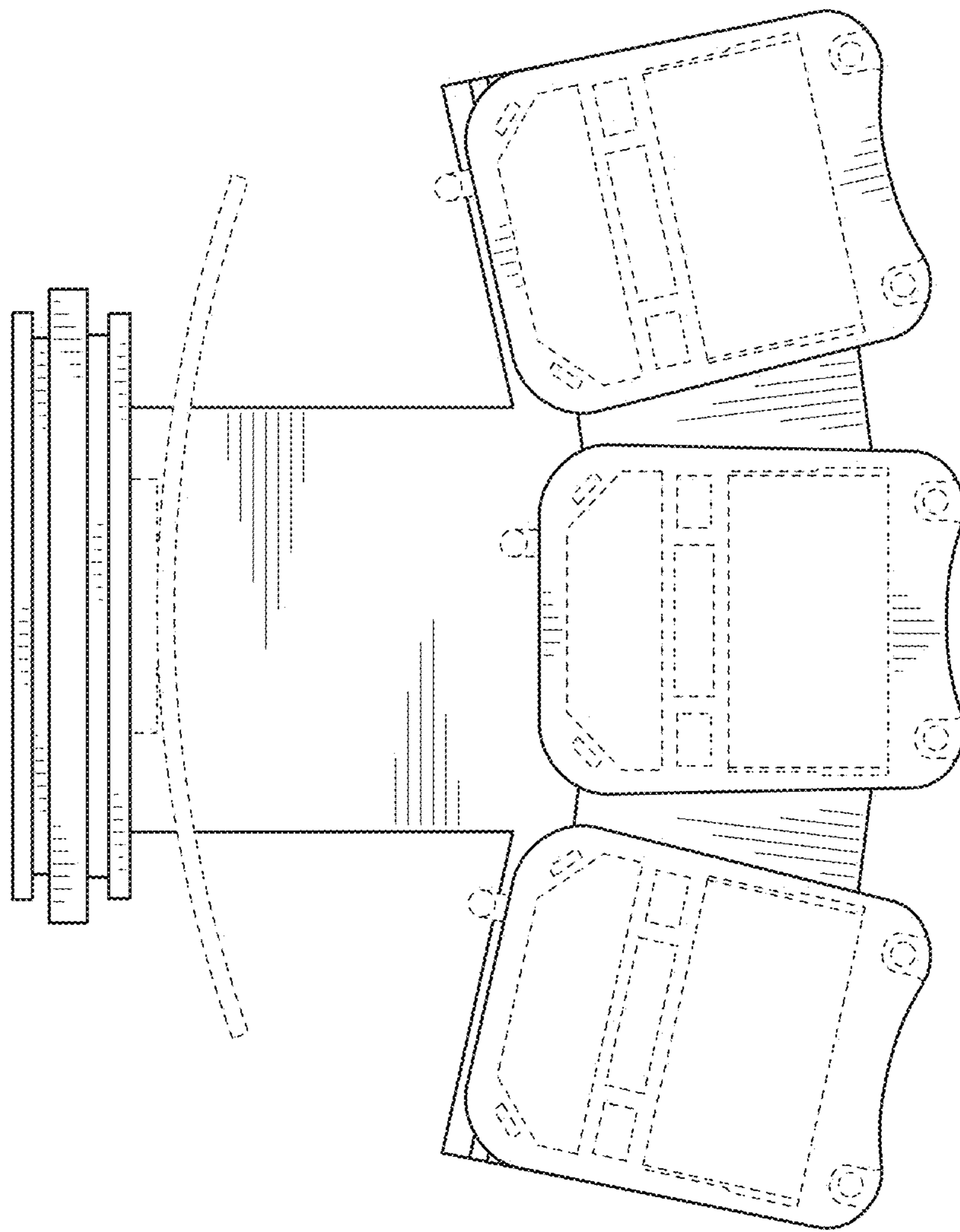


FIG. 10