



US00D936745S

(12) **United States Design Patent**
Herring

(10) **Patent No.:** **US D936,745 S**

(45) **Date of Patent:** **** Nov. 23, 2021**

(54) **GAME**

(71) Applicant: **Lynn Herring**, Kingston, NY (US)

(72) Inventor: **Lynn Herring**, Kingston, NY (US)

(**) Term: **15 Years**

(21) Appl. No.: **29/668,714**

(22) Filed: **Nov. 1, 2018**

(51) **LOC (13) Cl.** **21-01**

(52) **U.S. Cl.**
USPC **D21/344**; D21/334; D21/386

(58) **Field of Classification Search**
USPC D21/334, 335-344, 355-359, 365, 318,
D21/397, 351, 385, 386, 389, 404, 478,
D21/479, 483-486, 489-492, 493, 494,
D21/497, 499, 507, 510, 511, 561, 627,
D21/583, 503; 273/271, 241, 242,
273/244-247, 259, 275-277, 281, 317.3,
273/108.1, 108.5, 118 D, 236-240, 283,
273/309, 441, 461, 264; D6/406.1, 406.3,
D6/406.4, 406.6; D19/86, 92, 95, 87,
D19/113, 75, 77, 78, 80; 108/14, 62, 43,
108/67; 434/416, 247, 248, 251, 408,
434/413, 145, 430; 446/118, 124, 119,
446/108, 127, 85; D7/388; D1/101, 103,
D1/199

CPC A63F 3/00094; A63F 3/00; A63F 3/00003;
A63F 3/00028; A63F 3/00041; A63F
3/00044; A63F 3/00047; A63F 3/00173;
A63F 3/00176; A63F 3/00214; A63F
3/00261; A63F 3/00643; A63F
3/00646-00659; A63F 3/04; A63F
2003/00182; A63F 2003/00186; A63F
2003/00223; A63F 2003/00457; A63F
2003/0046; A63F 2003/00463; A63F
2003/00466; A63F 2003/0047; A63F
2003/00485; A63F 2003/00492; A63F
2003/00507; A63F 2003/00514; A63F

2003/00533; A63F 2003/00552; A63F
2003/00558; A63F 2003/00943; A63F
2003/00946; A63F 2003/00952-00962;
A63F 2003/00974; A63F 7/00; A63F
7/06; A63F 7/0612; A63F 7/0604; A63F
(Continued)

(56) **References Cited**

U.S. PATENT DOCUMENTS

741,903 A * 10/1903 Gates A63F 9/06
434/259
D54,074 S * 11/1919 Fritz D1/127
(Continued)

FOREIGN PATENT DOCUMENTS

GB 1109204 A 4/1968
GB 1114268 A 5/1968
(Continued)

Primary Examiner — Susan Moon Lee

(74) *Attorney, Agent, or Firm* — Hoffman Warnick LLC

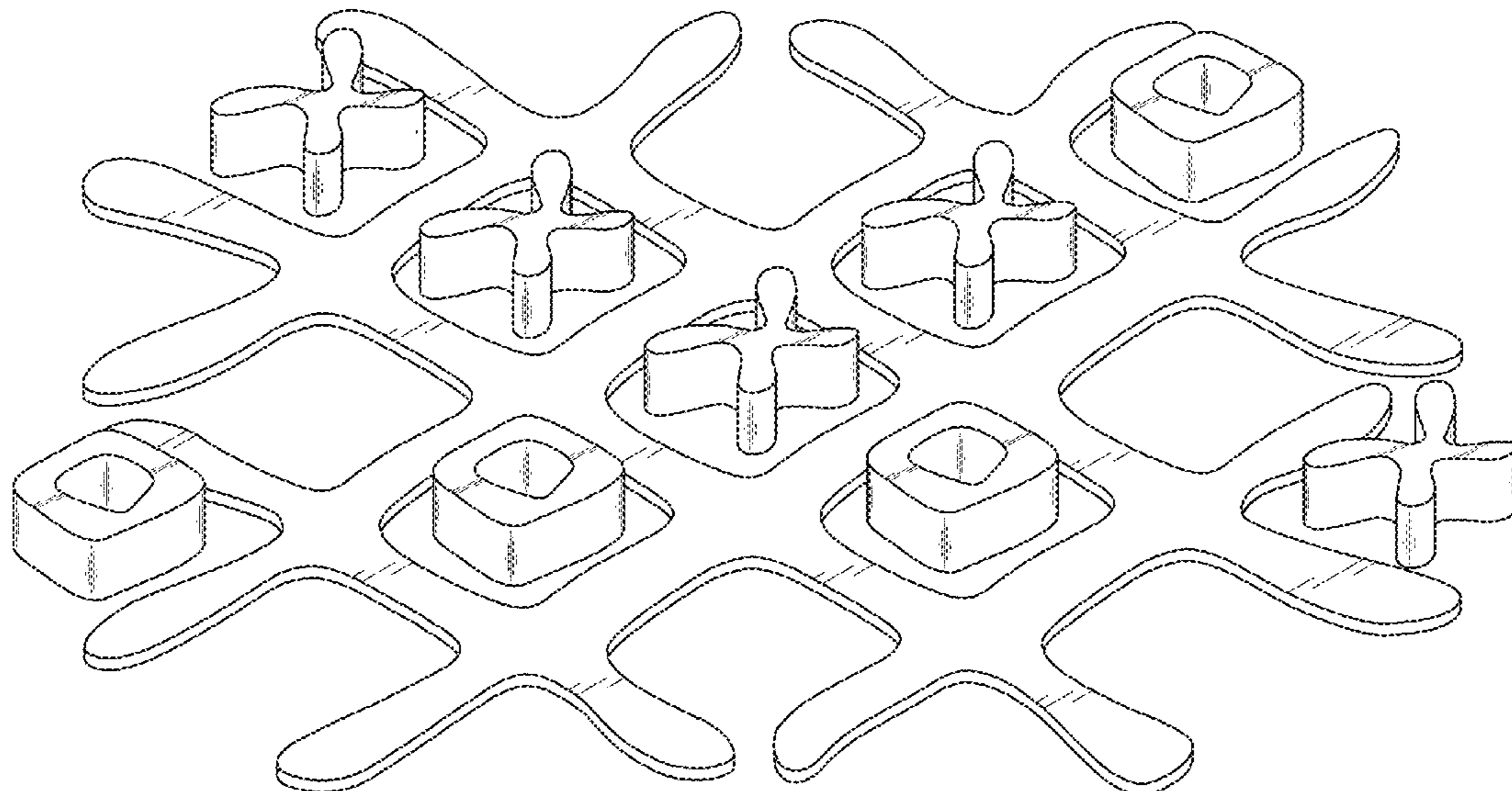
(57) **CLAIM**

The ornamental design for a game, as shown and described.

DESCRIPTION

FIG. 1 is a top perspective view of the “O” game piece component of the game, shown separately for clarity; FIG. 2 is a top plan view thereof; FIG. 3 is a top perspective view of the “X” game piece component of the game, shown separately for clarity; FIG. 4 is a top plan view thereof; FIG. 5 is top perspective view of the grid playing board component of the game, shown separately for clarity; FIG. 6 is a top plan view thereof; and, FIG. 7 is a perspective view of a game in accordance with the present design.

1 Claim, 5 Drawing Sheets



US D936,745 S

(58) **Field of Classification Search**

CPC .. 7/0616-0636; A63F 7/30; A63F 7/36; A63F 7/0005; A63F 7/0017; A63F 7/0023; A63F 2007/0035; A63F 2007/367; A63F 2007/3674; A63F 9/00; A63F 9/08; A63F 9/001; A63F 9/0826; A63F 9/0073; A63F 9/0078; A63F 9/0602; A63F 9/0613; A63F 9/12-1208; A63F 9/1288; A63F 2009/0012; A63F 2009/1212-1228; A63F 2009/1292; A63F 2009/1296

See application file for complete search history.

D297,303 S * 8/1988 Finklestein D21/489
 4,763,898 A * 8/1988 Hemmann A63F 9/00
 273/153 R
 D304,218 S * 10/1989 Klitsner D21/496
 D311,556 S * 10/1990 Popek D19/59
 4,968,040 A * 11/1990 McElhaney A63F 9/20
 273/290
 4,990,116 A * 2/1991 Chen A63H 33/084
 446/124
 D319,477 S * 8/1991 McElhaney D21/391
 D325,938 S 5/1992 Stuhr
 D340,480 S * 10/1993 Cummings D21/437
 5,318,307 A * 6/1994 Bouchard A63B 67/06
 273/348.4

(56) **References Cited**

U.S. PATENT DOCUMENTS

1,634,180 A * 6/1927 Felton A63F 3/00176
 273/261
 D110,357 S 7/1938 Horn
 D116,559 S 9/1939 Fisher
 D119,260 S 3/1940 Gould
 2,313,473 A 3/1943 Heacock et al.
 D143,443 S 1/1946 Rogers
 2,406,759 A * 9/1946 Glukes A63H 33/065
 446/127
 2,628,838 A 2/1953 Smalley
 D169,400 S * 4/1953 Wales D21/390
 2,967,714 A 1/1961 Calabrese
 3,021,140 A * 2/1962 Lushansky, Jr. A63F 3/00261
 273/271
 D192,516 S 4/1962 Schram et al.
 D202,629 S 10/1965 Hurley et al.
 D214,386 S * 6/1969 Perruccio et al. D21/347
 D217,975 S 7/1970 Pruett et al.
 D218,242 S * 8/1970 Gompes et al. D21/479
 D220,963 S 6/1971 Cohen et al.
 3,599,977 A 8/1971 Glass
 3,603,591 A * 9/1971 Shoptaugh A63F 3/00574
 273/264
 3,710,455 A * 1/1973 Liversidge A63F 9/00
 434/259
 D226,570 S 3/1973 Neece
 3,867,784 A * 2/1975 Lange A63H 33/086
 446/128
 D241,361 S * 9/1976 Crew D21/437
 D245,276 S * 8/1977 Jenkins D21/470
 D245,277 S * 8/1977 Jenkins D21/470
 D245,719 S * 9/1977 Hasegawa D21/386
 D248,412 S 7/1978 Brown
 4,163,560 A * 8/1979 Solomon A63F 3/00697
 273/273
 D254,336 S * 3/1980 Miller D1/106
 D254,337 S * 3/1980 Miller D1/106
 D254,338 S * 3/1980 Miller D1/106
 D254,339 S * 3/1980 Miller D1/106
 4,222,181 A 9/1980 Cummings
 4,254,957 A * 3/1981 Kramer A63F 3/00574
 273/271
 4,257,601 A * 3/1981 Kurita A63F 9/0098
 273/115
 D265,408 S 7/1982 Ericson
 4,398,892 A * 8/1983 Solomon A63F 9/24
 434/259
 D272,374 S * 1/1984 Keegan D21/388
 4,428,732 A 1/1984 Meyer
 4,497,491 A * 2/1985 Holman A63F 3/00094
 273/271
 D280,996 S * 10/1985 Epstein D21/468
 4,609,356 A * 9/1986 Gilden A63F 9/0666
 434/259

D349,300 S * 8/1994 Lau D19/62
 D357,510 S * 4/1995 Kushner D21/503
 D375,761 S 11/1996 Cone, Jr.
 D393,667 S * 4/1998 Perry D21/386
 5,984,756 A * 11/1999 Krog A63H 33/10
 446/120
 D435,955 S * 1/2001 Speck D1/106
 6,293,550 B1 * 9/2001 Zeitlin A63F 3/00094
 273/239
 D449,349 S 10/2001 Fong
 D476,379 S * 6/2003 Manville D21/386
 6,572,429 B2 * 6/2003 Cheung A63H 33/062
 446/120
 D479,566 S * 9/2003 Manville D21/386
 D497,068 S * 10/2004 Lipsztein D6/601
 D507,307 S 7/2005 Austin
 D513,043 S 12/2005 Hunley
 D537,607 S * 3/2007 Adkins D1/122
 D541,352 S 4/2007 Andersen
 D545,510 S * 6/2007 Viola D30/160
 D572,985 S * 7/2008 Galeano D8/1
 D623,239 S 9/2010 Bartley, Sr. et al.
 D677,977 S * 3/2013 O'Connell D7/388
 8,505,918 B1 * 8/2013 Appelblatt A63F 3/0023
 273/271
 D706,519 S * 6/2014 Speck D1/199
 8,746,699 B1 6/2014 Pruzan et al.
 8,857,817 B2 * 10/2014 Cruz-Rivera A63F 3/00006
 273/287
 8,864,137 B2 * 10/2014 Ritter A63F 9/30
 273/440
 D741,410 S 10/2015 Mandaher
 9,579,588 B2 * 2/2017 Sokolov A63F 9/1204
 9,675,900 B2 * 6/2017 Sokolov A63H 33/084
 D809,610 S * 2/2018 Chan D21/500
 D820,035 S * 6/2018 Hsu D7/388
 D822,122 S 7/2018 Bilezikian et al.
 D832,682 S * 11/2018 Ebersole D8/356
 10,729,970 B1 * 8/2020 Yenidogan A63F 9/24
 D900,338 S * 10/2020 Hamilton D25/35
 D929,800 S * 9/2021 Veldkamp D7/388
 2002/0086605 A1 * 7/2002 Cheung A63H 33/062
 446/124
 2004/0262839 A1 * 12/2004 LeGate-Aitken A63F 9/02
 273/271
 2010/0260905 A1 * 10/2010 Axelrod A23K 20/174
 426/311
 2016/0045820 A1 * 2/2016 Rasmussen A63F 3/00094
 463/9
 2016/0055755 A1 2/2016 Hawkins

FOREIGN PATENT DOCUMENTS

GB 1352501 A 5/1974
 GB 2068297 A 8/1981
 WO 9530457 A1 11/1995

* cited by examiner

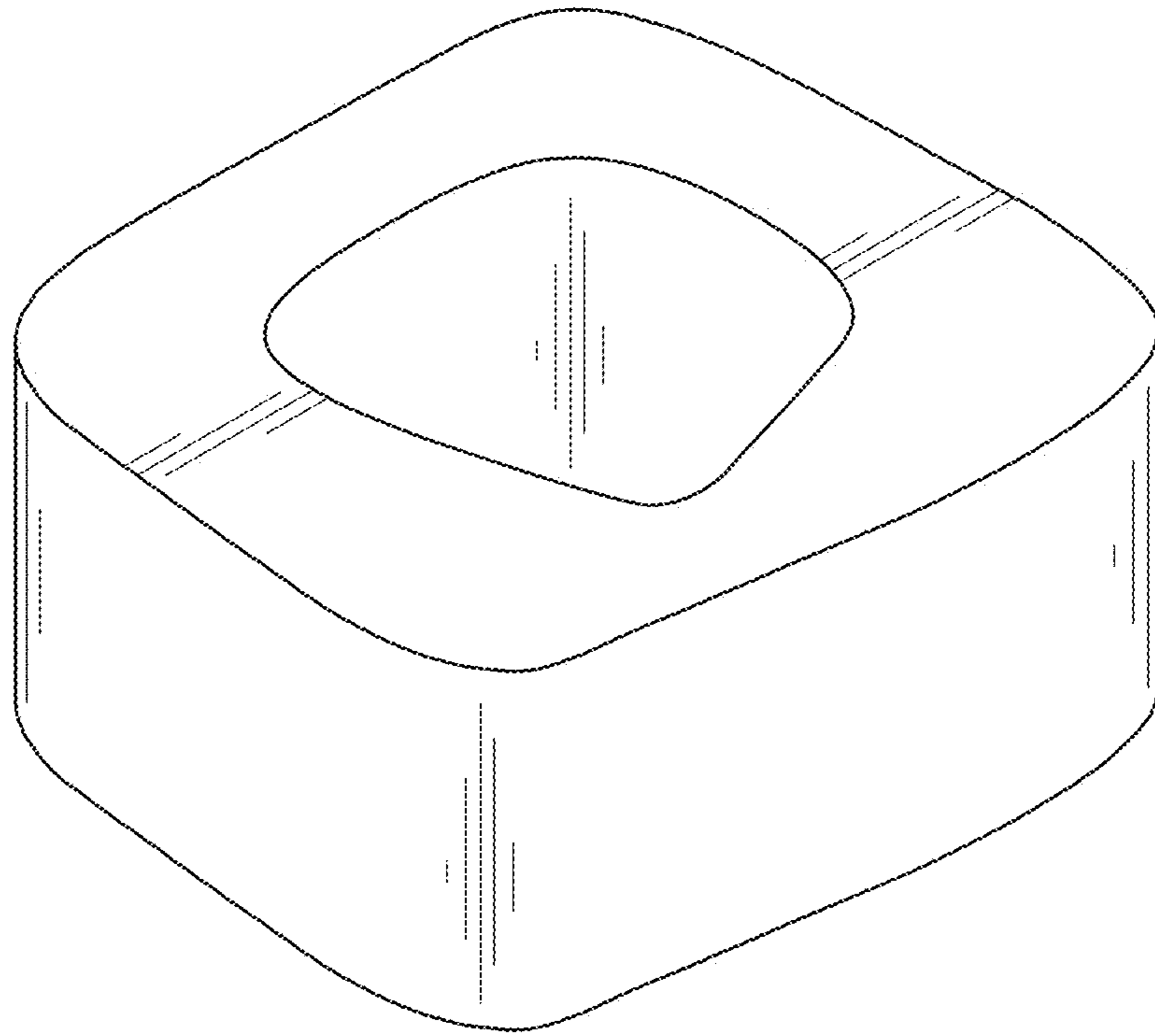


FIG. 1

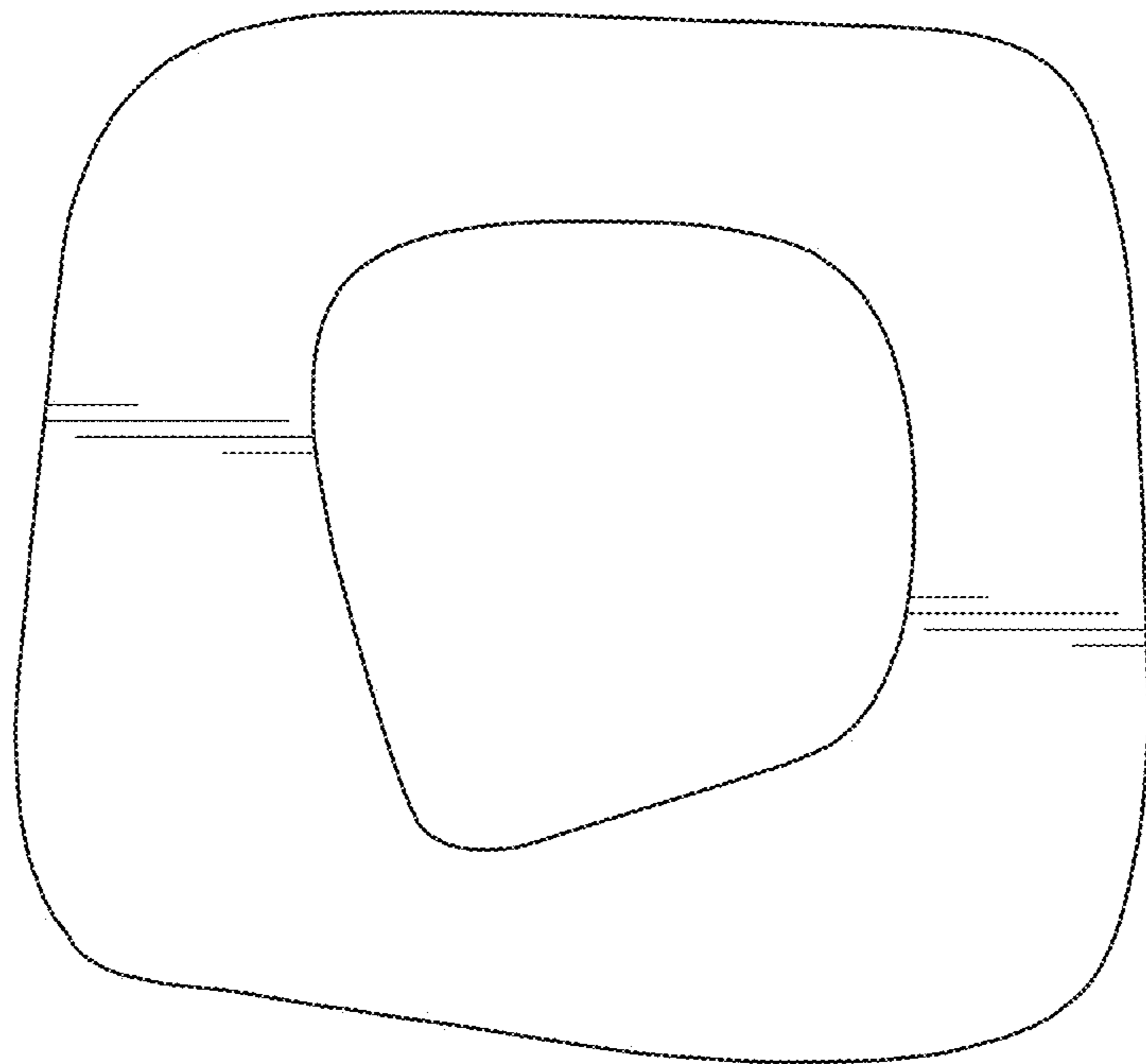


FIG. 2

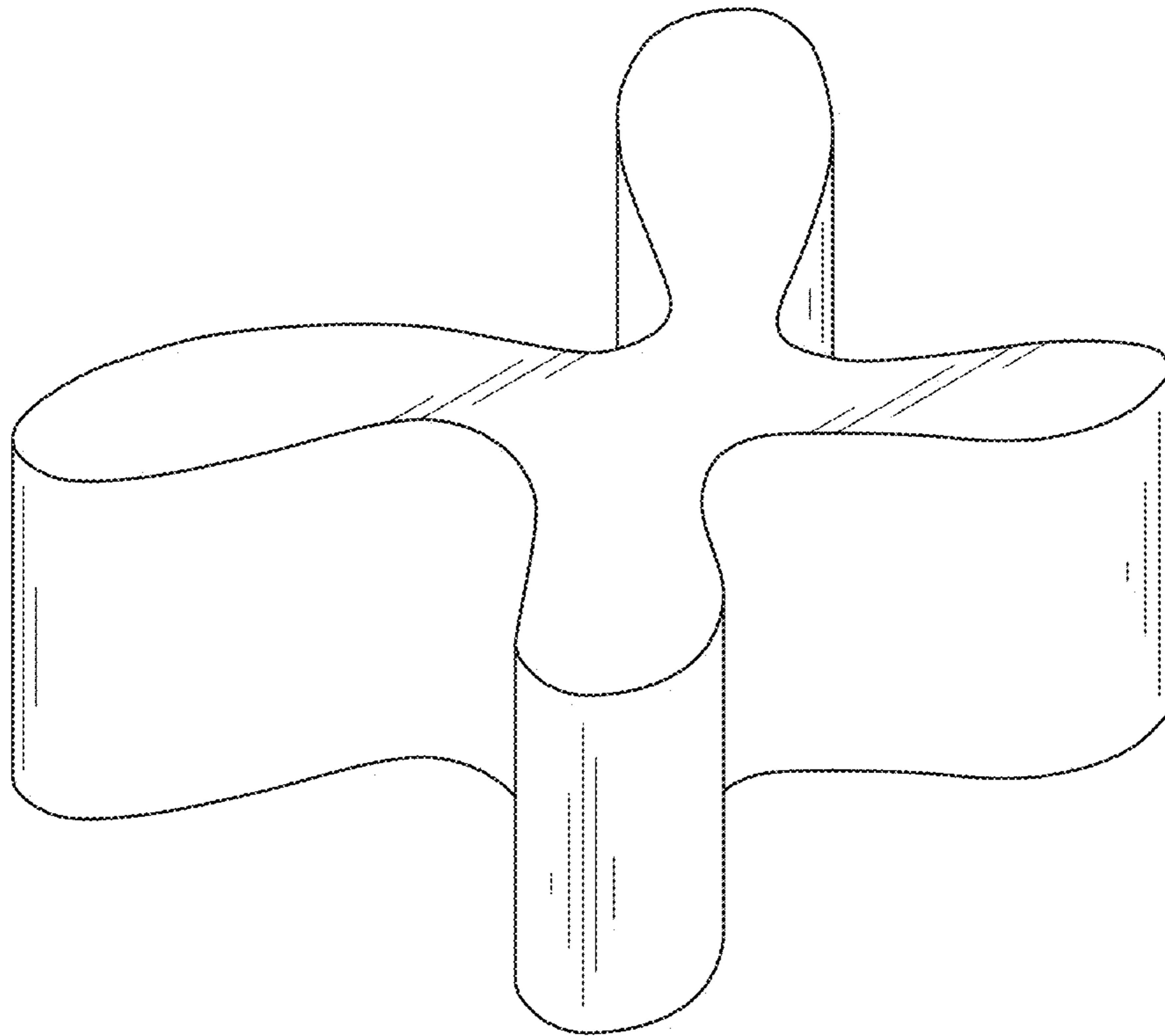


FIG. 3

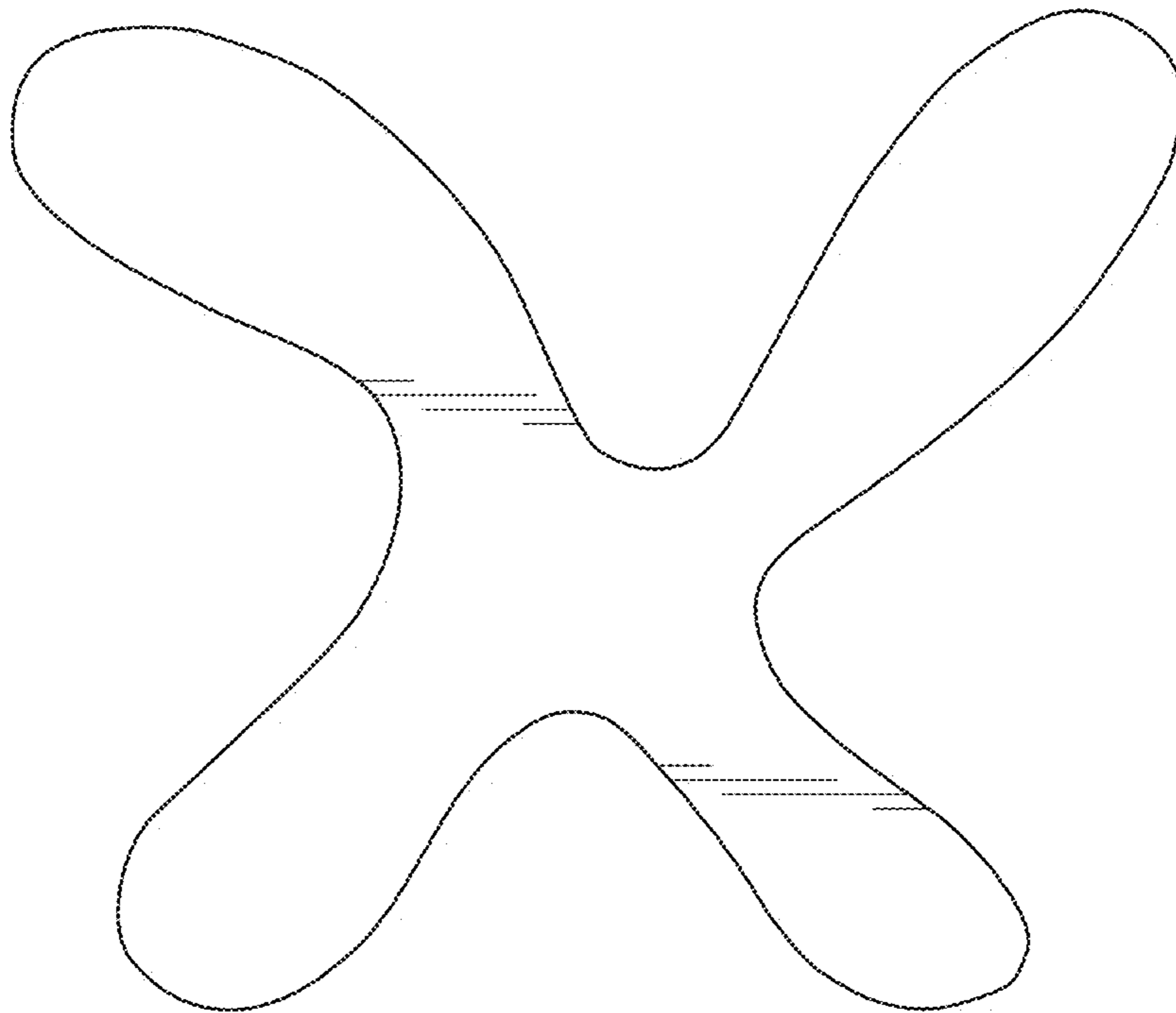


FIG. 4

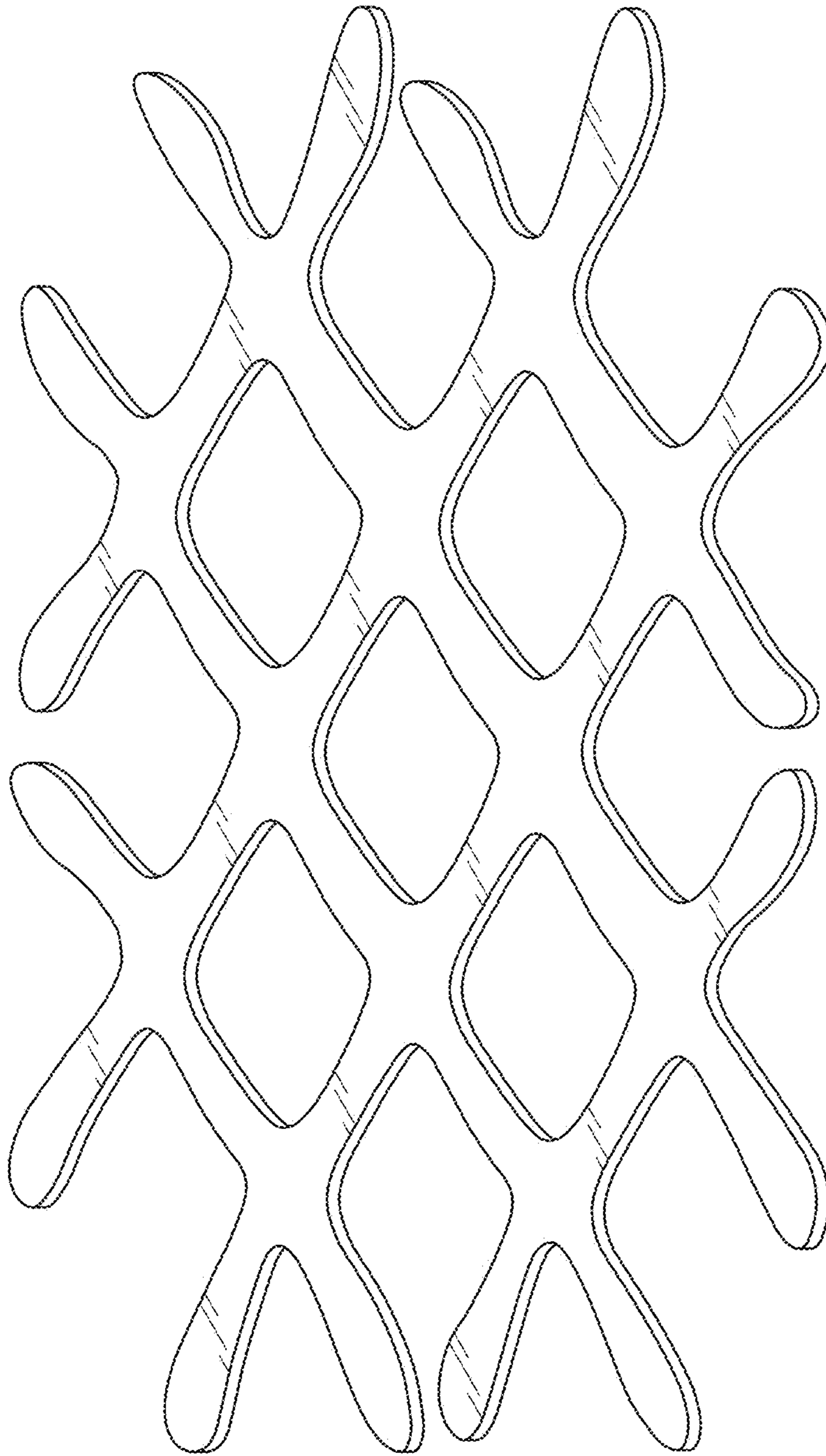


FIG. 5

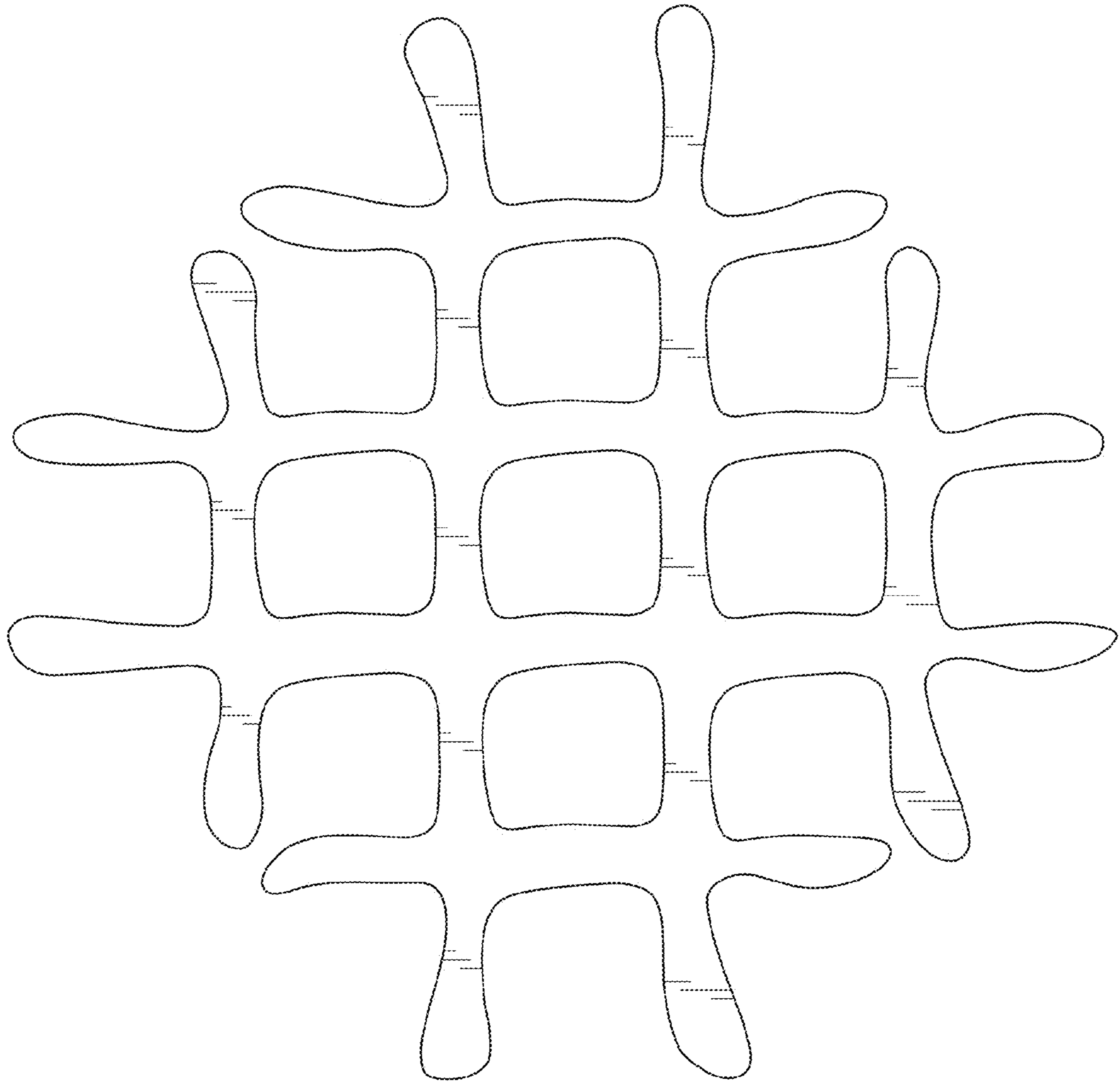


FIG. 6

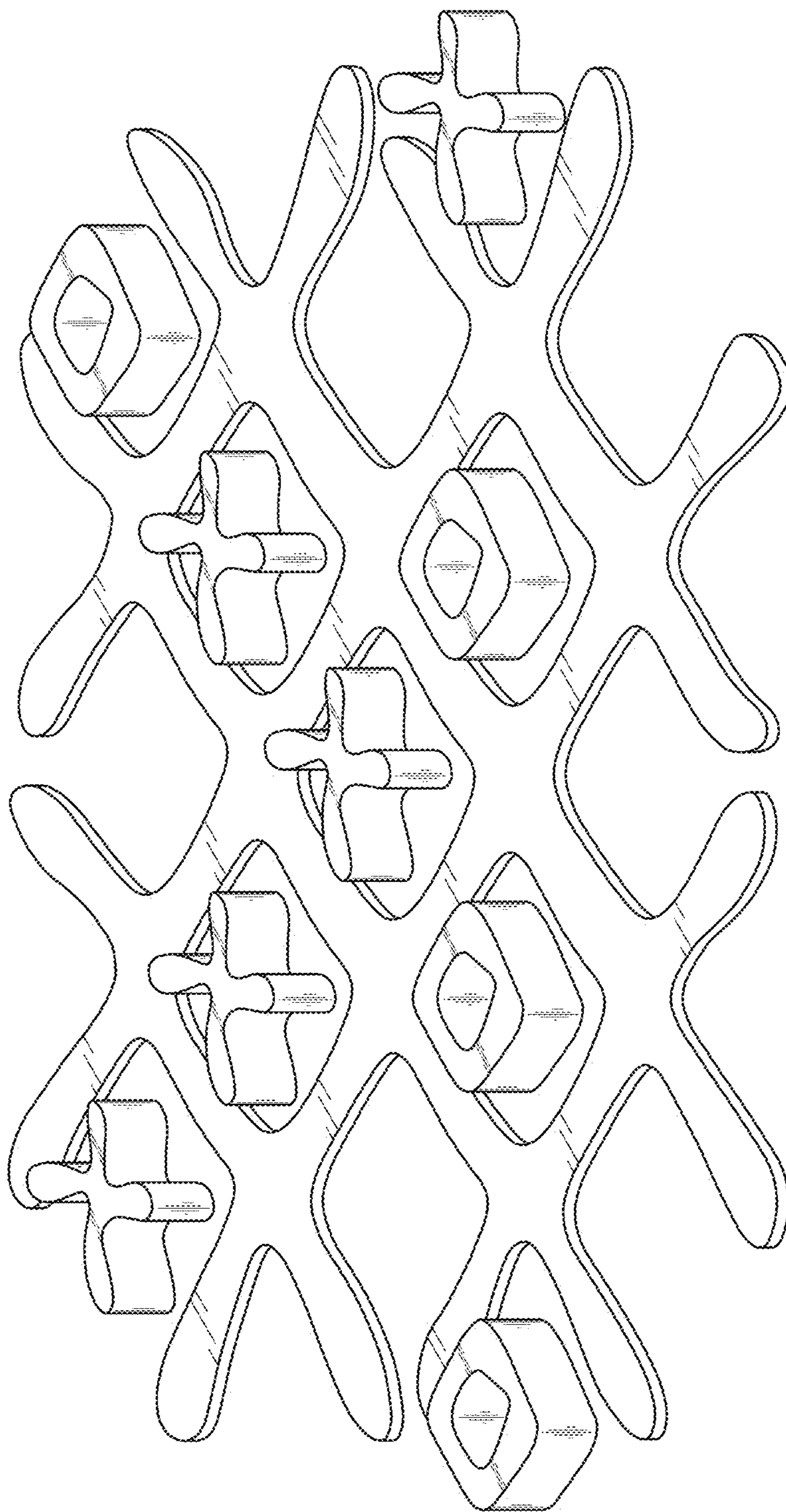


FIG. 7