



US00D936744S

(12) **United States Design Patent** (10) **Patent No.:** **US D936,744 S**
Singanallur Murali (45) **Date of Patent:** **** Nov. 23, 2021**

(54) **STEERING WHEEL STAND**

(71) Applicant: **Shyam Singanallur Murali**, Tamil Nadu (IN)

(72) Inventor: **Shyam Singanallur Murali**, Tamil Nadu (IN)

(**) Term: **15 Years**

(21) Appl. No.: **29/719,202**

(22) Filed: **Jan. 2, 2020**

(51) **LOC (13) Cl.** **21-01**

(52) **U.S. Cl.**

USPC **D21/333**

(58) **Field of Classification Search**

USPC D21/324–329, 333, 349, 351–355, 366, D21/369, 370, 371, 385, 426, 427, 430, D21/471, 695, 696, 814; 472/59; 434/55; D6/334, 335, 356, 366, 368, D6/716; D12/112, 861; D14/399–402, D14/412, 414, 416, 432

CPC A63F 13/08; A63F 13/803; A63F 13/28; G09B 9/12; A47C 1/026; A47C 1/143; A47C 7/72; A47C 7/5068

See application file for complete search history.

(56) **References Cited**

U.S. PATENT DOCUMENTS

D510,391 S	*	10/2005	Merril	D21/324
D544,923 S	*	6/2007	Brase	D21/326
D598,207 S	*	8/2009	Smit	D6/335
D615,596 S	*	5/2010	Bik	D21/333
D642,222 S	*	7/2011	Pezzoni	D21/333
D656,553 S	*	3/2012	Blaskov	D21/326
D701,917 S	*	4/2014	Ghahramanian	D21/326
D852,562 S	*	7/2019	Jui	D6/716
D856,020 S	*	8/2019	Ghahramanian	D6/367
D912,733 S	*	3/2021	Ghahramanian	D21/333

OTHER PUBLICATIONS

“Racing Steering Wheel Stand Gaming Simulator Cockpit”, posted Oct. 29, 2019[Online], [Retrieved Jun. 2, 2021], retrieved from

internet: https://www.ubuy.com.gh/catalog/product/view/id/17494768/s/racing-steering-wheel-stand-gaming-simulator-cockpit-with-gear-shifter-and-pedal-mount-compatible-with-logitech-thrustmaster-fanatec-wheels-height-adjustable-easy-storage-instruction-manual-gift-box.*

US Trademark Registration No. 5246523; Mark—Flybold Filing date: Feb. 16, 2017 Registration date: Jul. 18, 2017.

“Racing Steering Wheel Stand Gaming Simulator Cockpit” by Flybold, Published Online on [Nov. 6, 2019] https://images-na.ssl-images-amazon.com/images/I/71ERwf3NGsL._AC_.jpg.

“Racing Wheel Stand Adjustable Gaming Wheel Stand” by Mophorn, Published Online on [Apr. 22, 2018] https://images-na.ssl-images-amazon.com/images/I/71d0VObfmL._SL1500_.jpg.

“Mini Racing Steering Wheel Stand” by Dzfollow, Found Online on [Jan. 13, 2020] <https://ae01.alicdn.com/kf/HTB1ObFCgiMnBKNjSZFoq6zOSFXaU.jpg>.

“Adjustable Racing Steering Wheel Stand” by Happybuy, Published Online on [Jul. 17, 2019] https://images-na.ssl-images-amazon.com/images/I/718Nk9AHDIL._SL1500_.jpg.

* cited by examiner

Primary Examiner — Mehri F Bajoul

(74) *Attorney, Agent, or Firm* — Theodore Joseph Chiacchio

(57) **CLAIM**

The ornamental design for a steering wheel stand, as shown and described.

DESCRIPTION

FIG. 1 is a front top right side perspective view for a steering wheel stand, showing my new design;

FIG. 2 is a rear left side perspective view of FIG. 1 thereof;

FIG. 3 is a front perspective view of FIG. 1 thereof;

FIG. 4 is a rear perspective view of FIG. 1 thereof;

FIG. 5 is a left side perspective view of FIG. 1 thereof; and,

FIG. 6 is a right side perspective view of FIG. 1 thereof.

The broken lines indicate portions of the steering wheel stand that form no part of the claimed design.

1 Claim, 6 Drawing Sheets

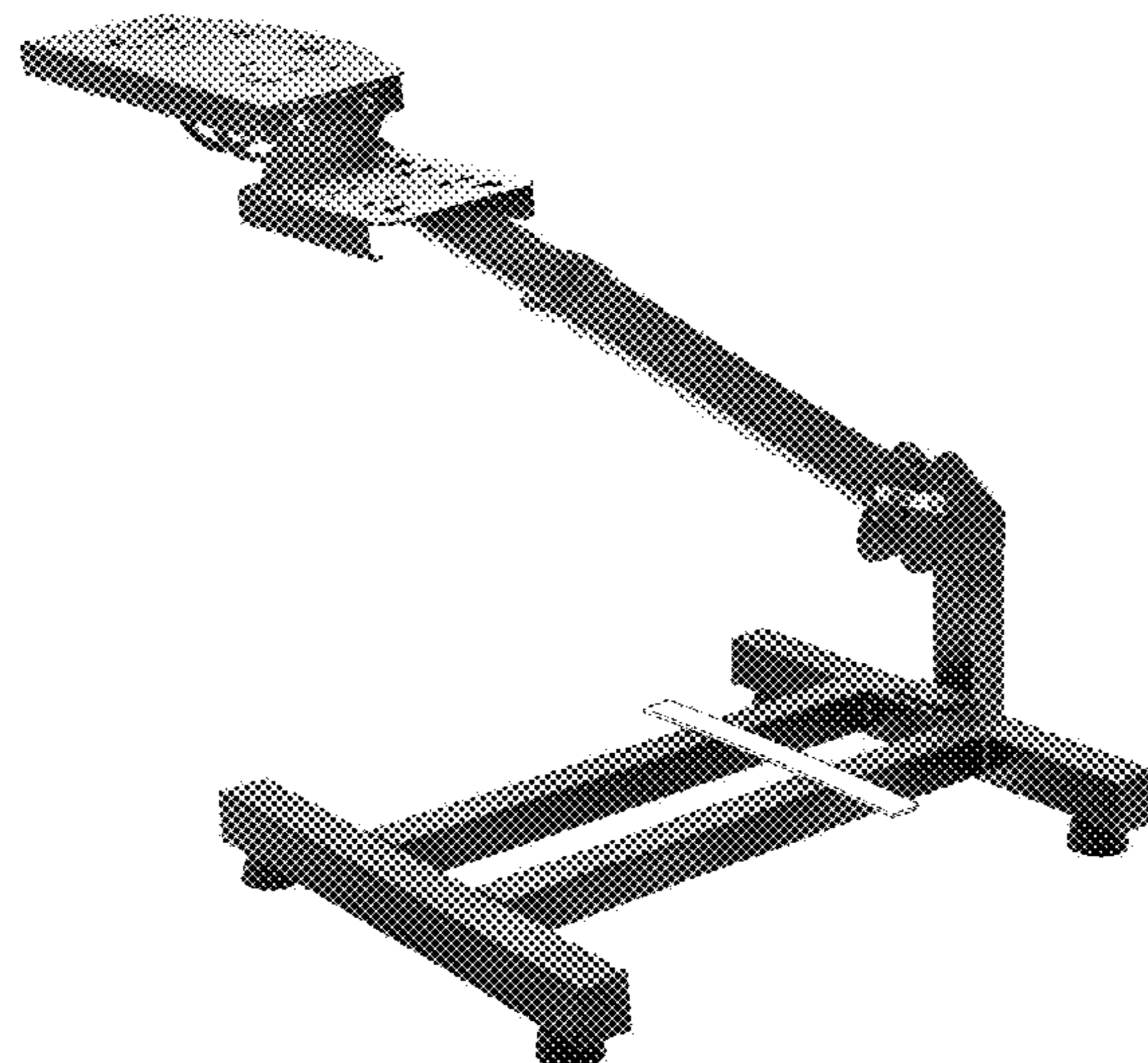




FIG. 1



FIG. 2

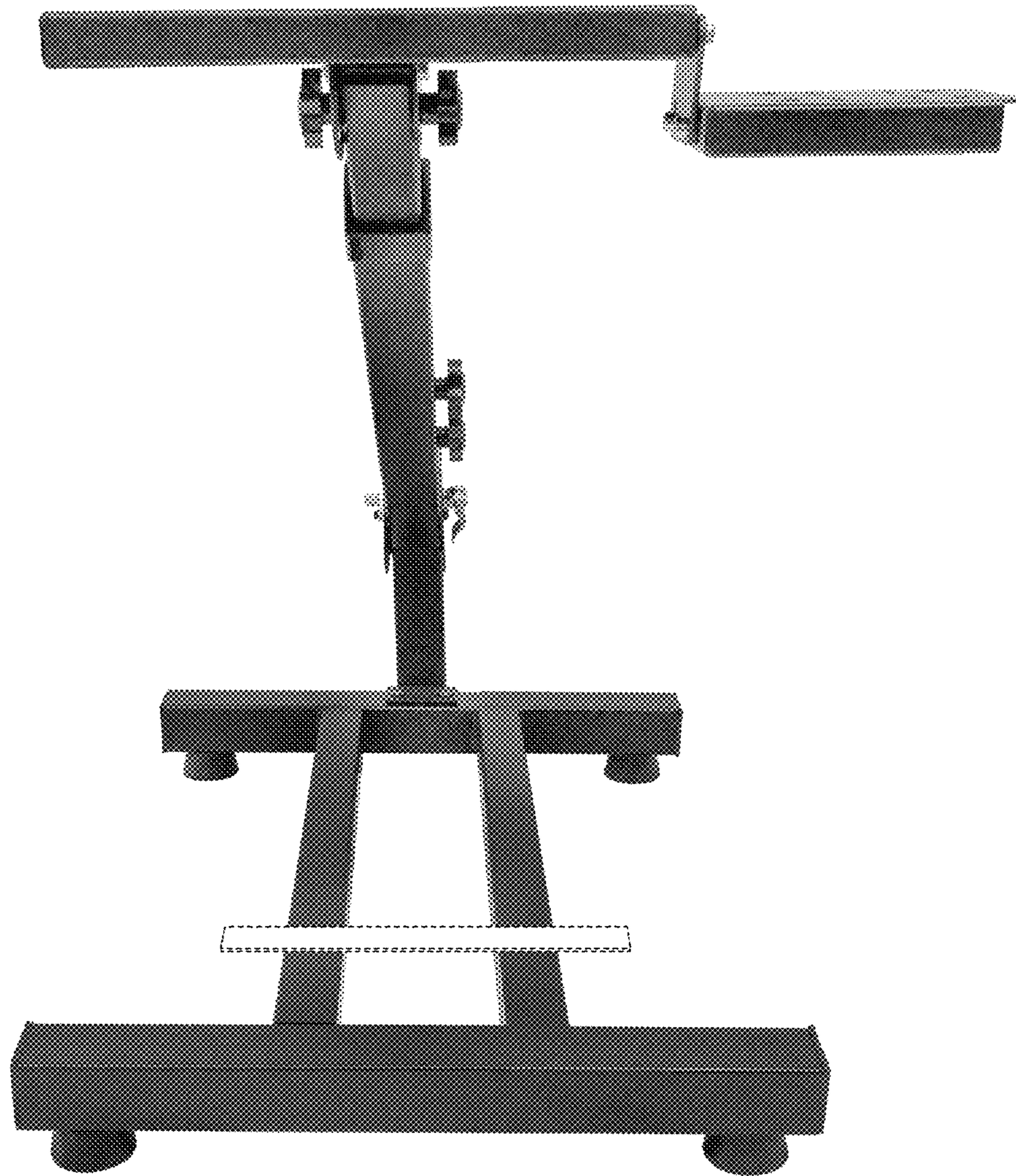


FIG. 3

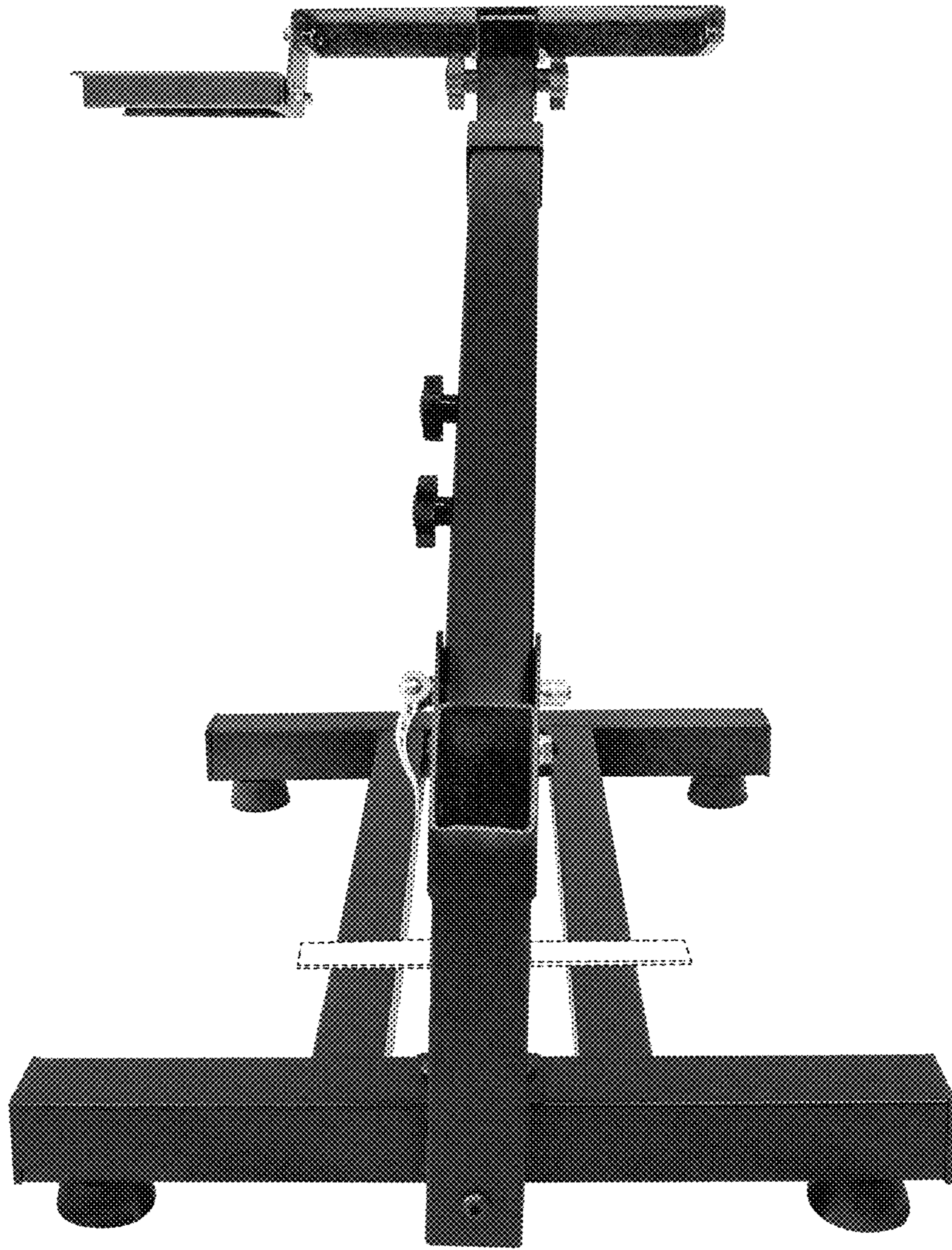


FIG. 4



FIG. 5

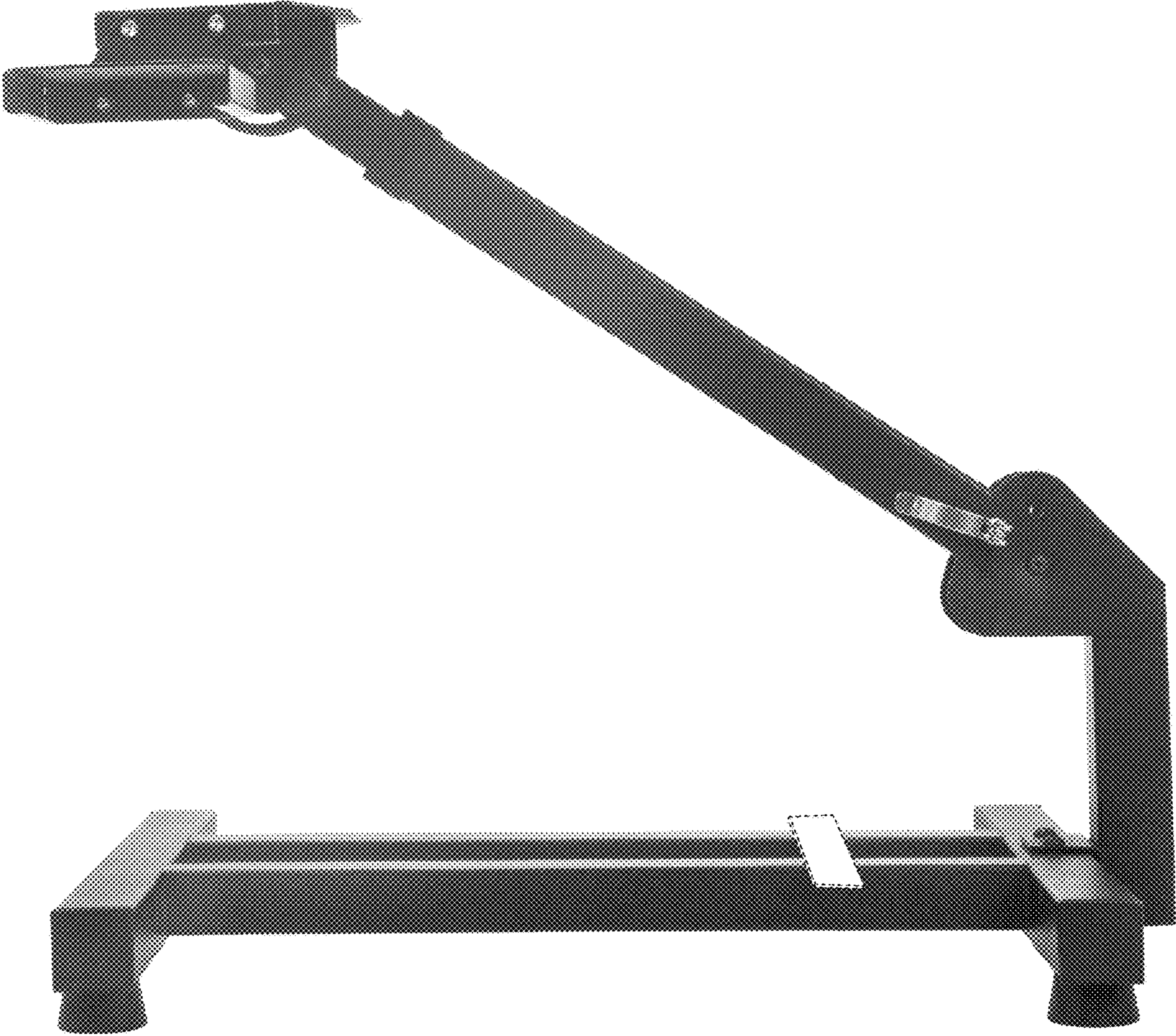


FIG. 6