



US00D936742S

(12) **United States Design Patent**
Monarque

(10) **Patent No.:** **US D936,742 S**

(45) **Date of Patent:** **** Nov. 23, 2021**

(54) **SHELF TAB**

(71) Applicant: **Michael Monarque**, Corona, CA (US)

(72) Inventor: **Michael Monarque**, Corona, CA (US)

(**) Term: **15 Years**

(21) Appl. No.: **29/703,592**

(22) Filed: **Aug. 28, 2019**

(51) **LOC (13) Cl.** **19-08**

(52) **U.S. Cl.**
USPC **D20/22**

(58) **Field of Classification Search**
USPC D7/387, 624.2; D9/550, 563; D10/46,
D10/47, 52, 104.1, 104.2; D14/490, 491;
D19/1-12; D20/10, 11, 18, 22-29, 42,
D20/49
CPC G09F 1/00; G09F 1/04; G09F 3/00; G09F
3/005; G09F 3/0288; G09F 3/0289; G09F
3/02; G09F 3/04; G09F 3/06; G09F 3/08;
G09F 3/10; G06K 19/0776
See application file for complete search history.

(56) **References Cited**

U.S. PATENT DOCUMENTS

D15,469 S *	10/1884	Housh	D19/6
D39,926 S *	4/1909	Weigang	D20/24
1,926,553 A *	9/1933	Morse	G09F 3/10
				40/638
2,360,916 A *	10/1944	Von Trott	B42D 15/04
				446/147
2,480,416 A *	8/1949	Modes	B65D 85/544
				206/312
D358,429 S *	5/1995	Ely	D20/27
5,669,165 A *	9/1997	Santorsola	G09F 11/23
				116/316

D510,601 S *	10/2005	Best	D20/27
D622,774 S *	8/2010	Seum	D20/22
D635,194 S *	3/2011	Katz	D20/27
D637,234 S *	5/2011	Reiss	D20/22
D656,012 S *	3/2012	Leu	D9/434
D666,245 S *	8/2012	Birdwell	D20/27
D674,842 S *	1/2013	Birdwell	D20/27
D675,261 S *	1/2013	Birdwell	D20/27
D701,915 S *	4/2014	O'Beirne	D20/27
D722,115 S *	2/2015	Wajs, Jr.	D20/23
D749,678 S *	2/2016	Wajs, Jr.	D20/23

* cited by examiner

Primary Examiner — Mary Ann Calabrese

Assistant Examiner — Catherine Ho

(74) *Attorney, Agent, or Firm* — Grants Law Firm; Allan Grant

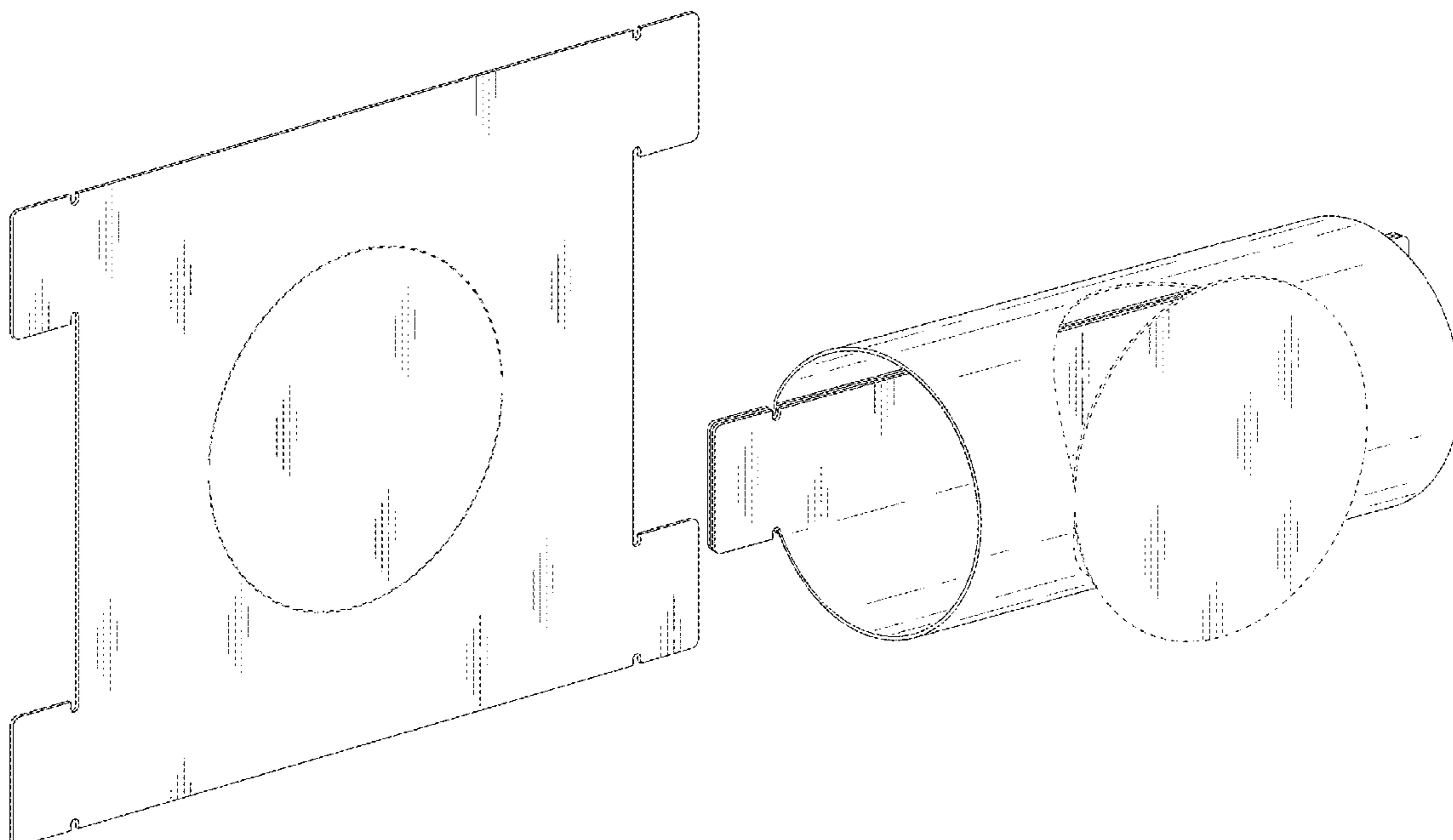
(57) **CLAIM**

I claim the ornamental design for a shelf tab, as shown and as described.

DESCRIPTION

FIG. 1 is a perspective view of a shelf tab, showing my new design;
 FIG. 2 is the front view thereof;
 FIG. 3 is a back view thereof;
 FIG. 4 is a side view thereof;
 FIG. 5 is the other side view thereof;
 FIG. 6 is a top view thereof;
 FIG. 7 is bottom view thereof;
 FIG. 8 is a perspective view of a shelf tab shown in a rolled position; and,
 FIG. 9 is a perspective view of a shelf tab shown in an environment of use.
 The broken line portion of the figure drawings is included to show environment that form no part of the claimed design.

1 Claim, 5 Drawing Sheets



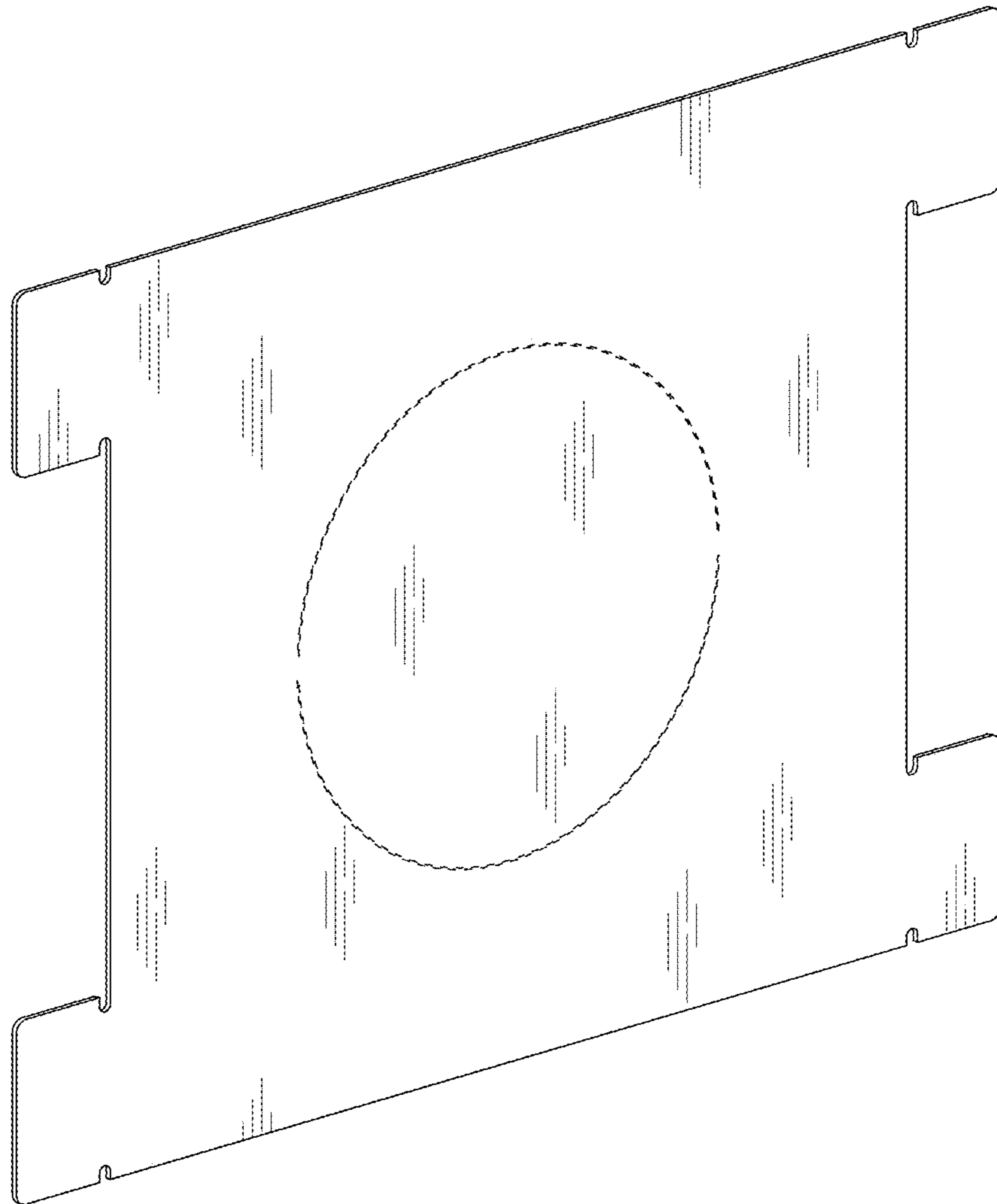


Fig. 1

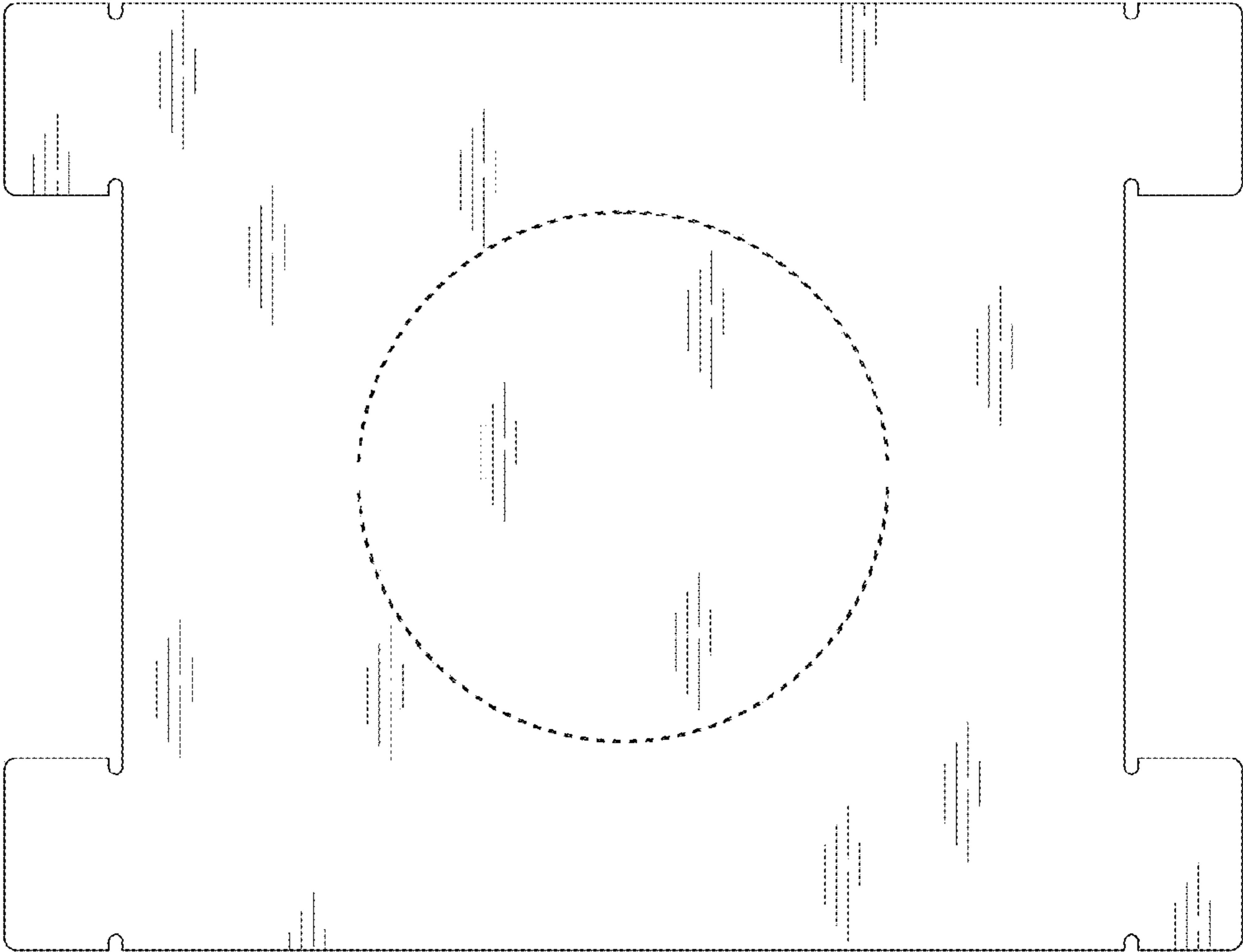


Fig. 2

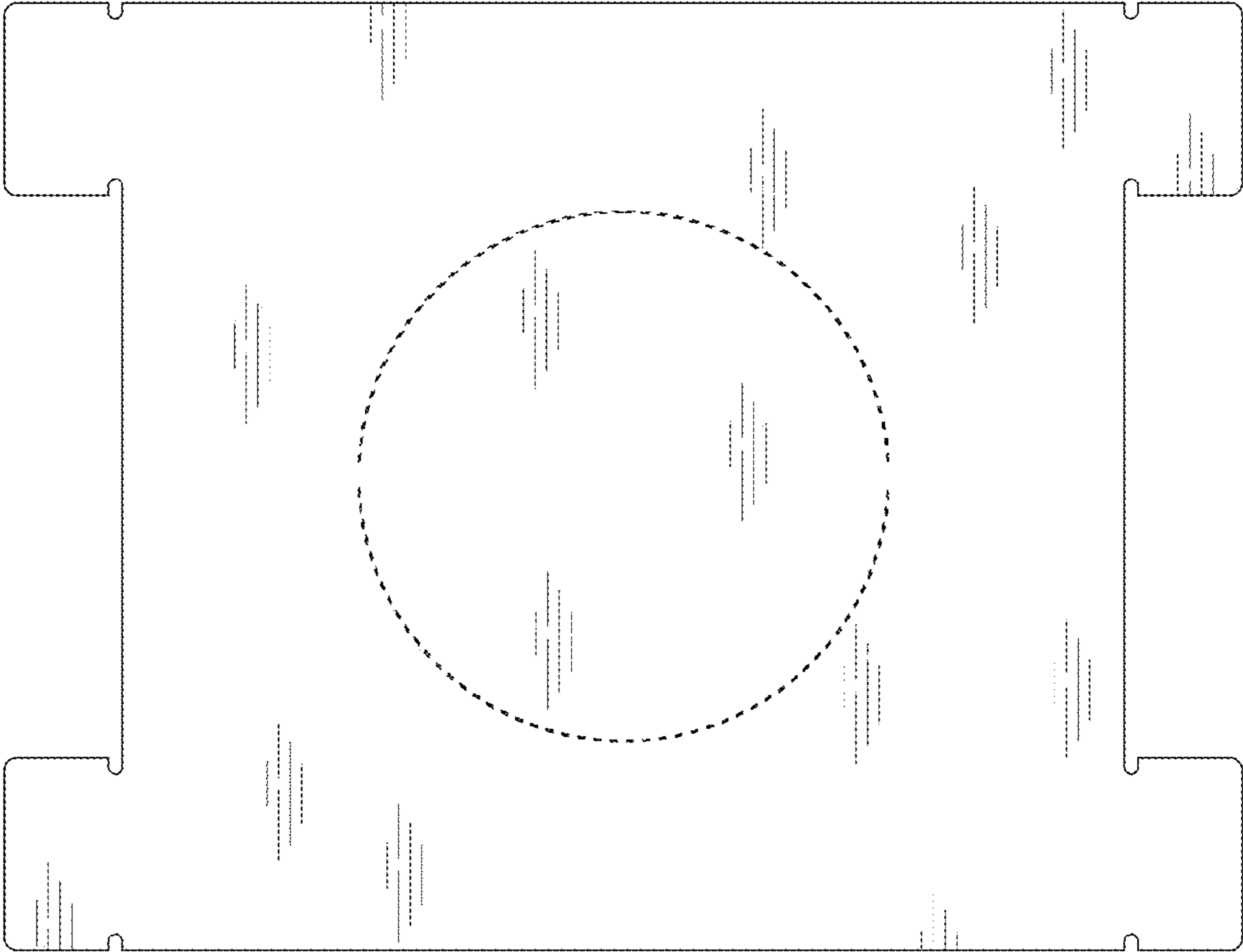


Fig. 3

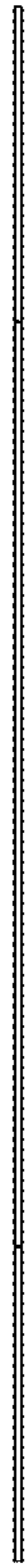


Fig. 4



Fig. 5

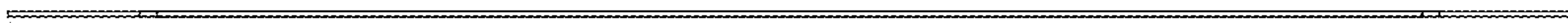


Fig. 6

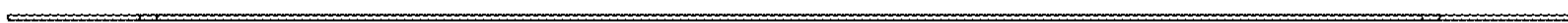


Fig. 7

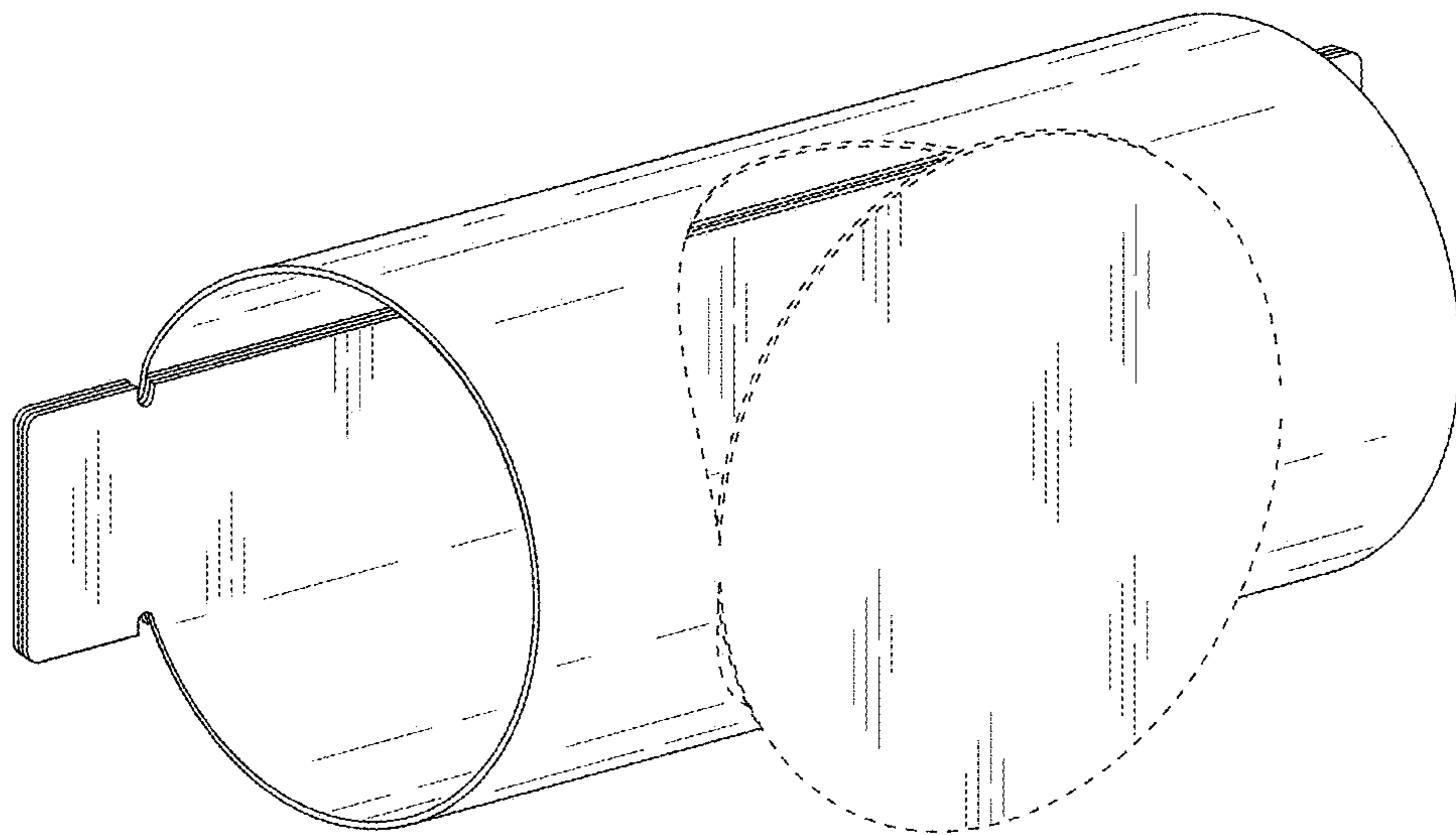


Fig. 8

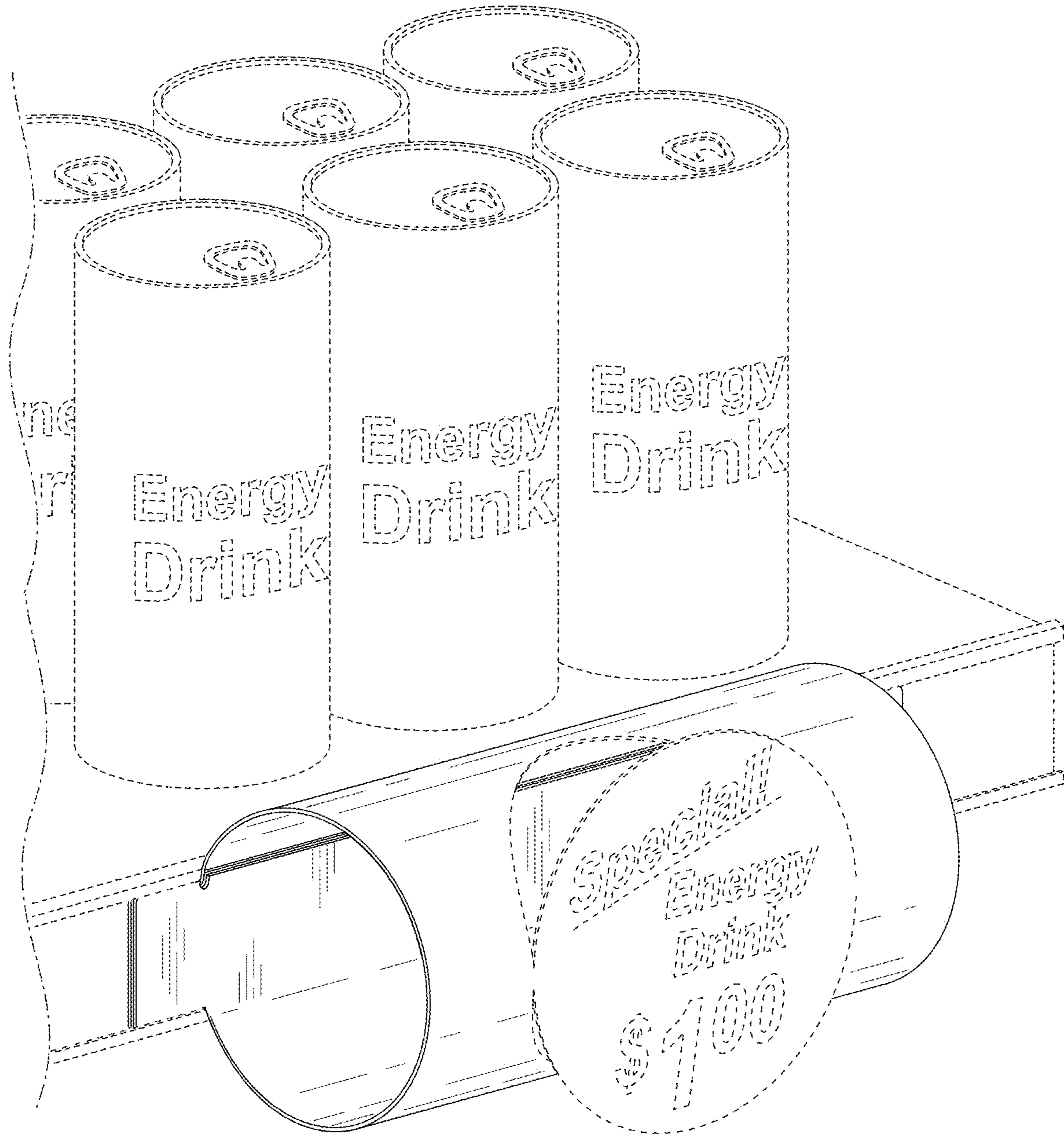


Fig. 9