

US00D936741S

(12) **United States Design Patent** (10) **Patent No.:** **US D936,741 S**
Yoon et al. (45) **Date of Patent:** **** Nov. 23, 2021**

(54) **DIGITAL SIGNAGE**

(71) Applicant: **LG Electronics Inc.**, Seoul (KR)
(72) Inventors: **Sangwon Yoon**, Seoul (KR); **Chanwoo Park**, Seoul (KR); **Yongho Lee**, Seoul (KR)
(73) Assignee: **LG ELECTRONICS INC.**, Seoul (KR)

(**) Term: **15 Years**

(21) Appl. No.: **35/508,892**

(22) Filed: **Sep. 25, 2019**

(80) **Hague Agreement Data**

Int. Filing Date: **Sep. 25, 2019**
Int. Reg. No.: **DM/204718**
Int. Reg. Date: **Sep. 25, 2019**
Int. Reg. Pub. Date: **Mar. 27, 2020**

(30) **Foreign Application Priority Data**

Mar. 26, 2019 (KR) 30-2019-0013555

(51) **LOC (13) Cl.** **20-03**

(52) **U.S. Cl.**
USPC **D20/19**

(58) **Field of Classification Search**
USPC D6/301; D14/126, 307, 371; D20/10, D20/16, 17, 19, 21, 39, 41, 42, 99
CPC . G09F 1/10; G09F 1/1012; G09F 7/00; G09F 7/18; G09F 7/22; G09F 9/00; G09F 9/3026; G09F 9/305; G09F 9/33; G09F 9/35; G09F 11/00; G09F 2011/027; G09F 13/00; G09F 13/02; G09F 13/04; G09F 13/0413; G09F 13/16; G09F 13/165; G09F 13/20; G09F 13/0022; G09F 2013/0436; G09F 2013/184; G09F 2013/222; G09F 2013/225; G09F 15/00; G09F 15/0006; G09F 15/0075

See application file for complete search history.

(56) **References Cited**

U.S. PATENT DOCUMENTS

D737,234 S *	8/2015	Kim	D14/126
D841,739 S *	2/2019	Yoon	D20/10
D847,111 S *	4/2019	Won	D14/126
D886,196 S *	6/2020	Lee	D20/39
D887,379 S *	6/2020	Cha	D14/126
D887,380 S *	6/2020	Lee	D14/126
D896,193 S *	9/2020	Cha	D14/126
D901,408 S *	11/2020	Kim	D14/126
D901,409 S *	11/2020	Kim	D14/126
D901,410 S *	11/2020	Kim	D14/126
D901,411 S *	11/2020	Kim	D14/126

* cited by examiner

Primary Examiner — Mary Ann Calabrese

Assistant Examiner — Catherine Ho

(74) *Attorney, Agent, or Firm* — Birch, Stewart, Kolasch & Birch, LLP

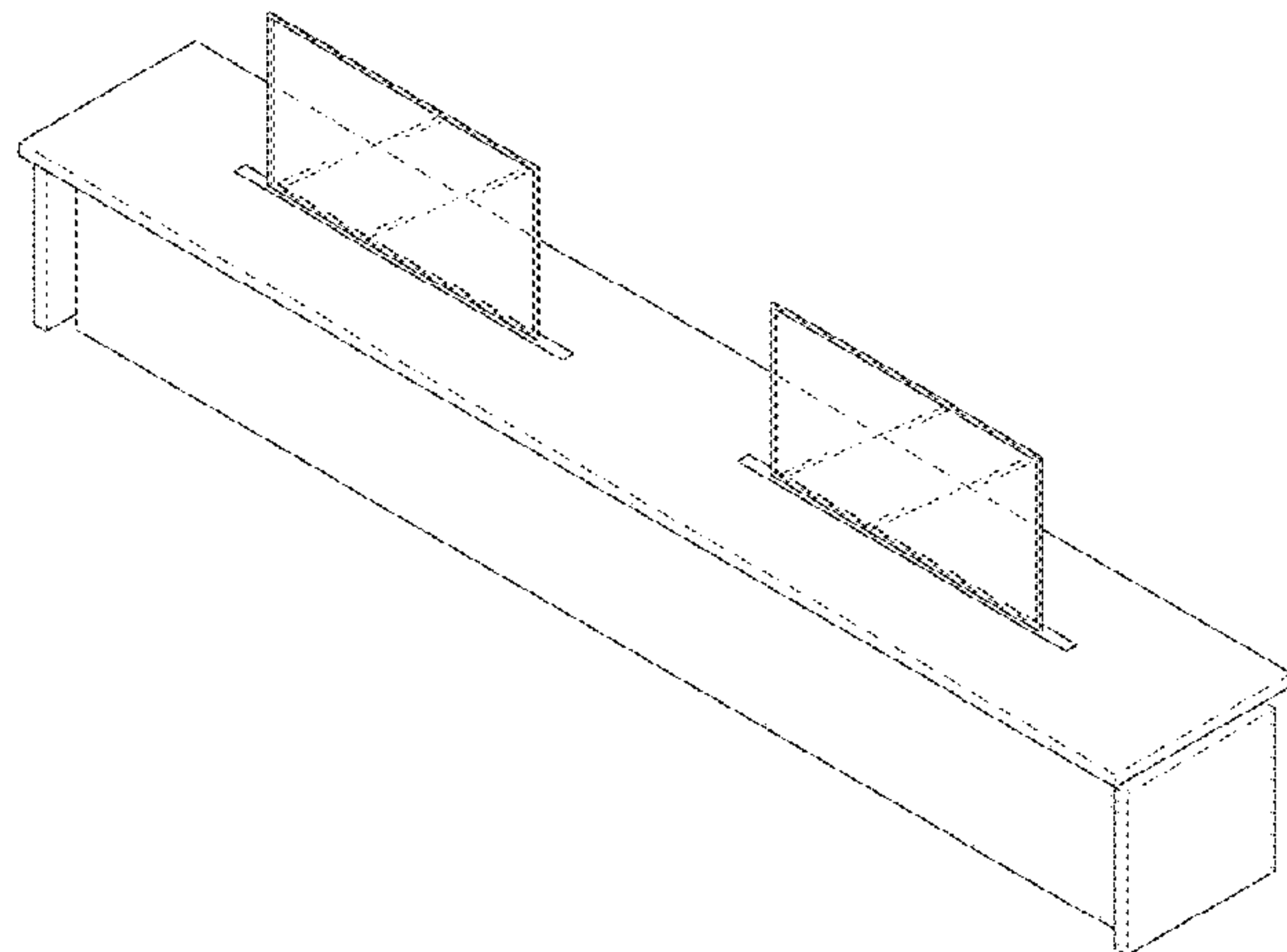
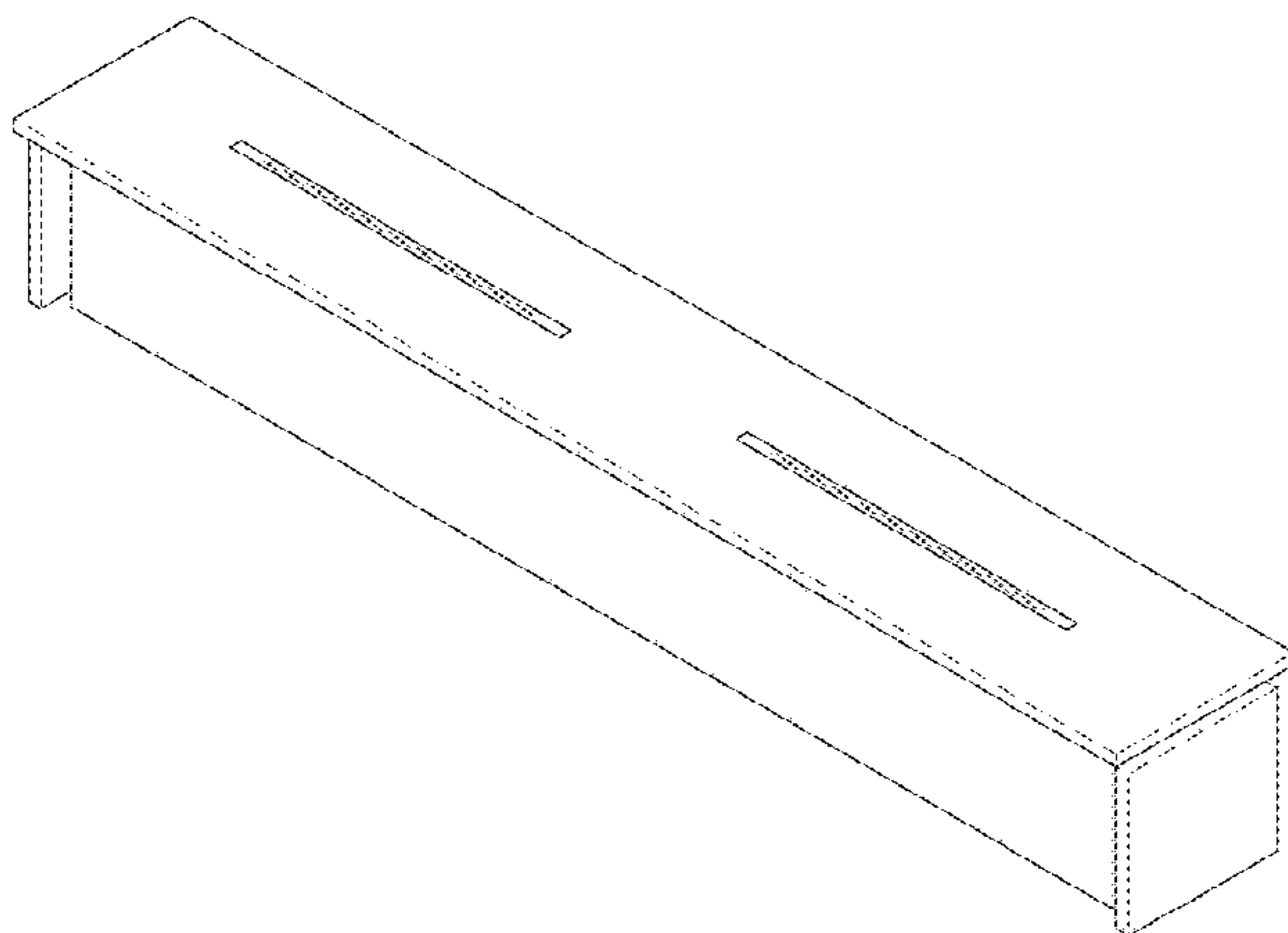
(57) **CLAIM**

The ornamental design for a digital signage, as shown and described.

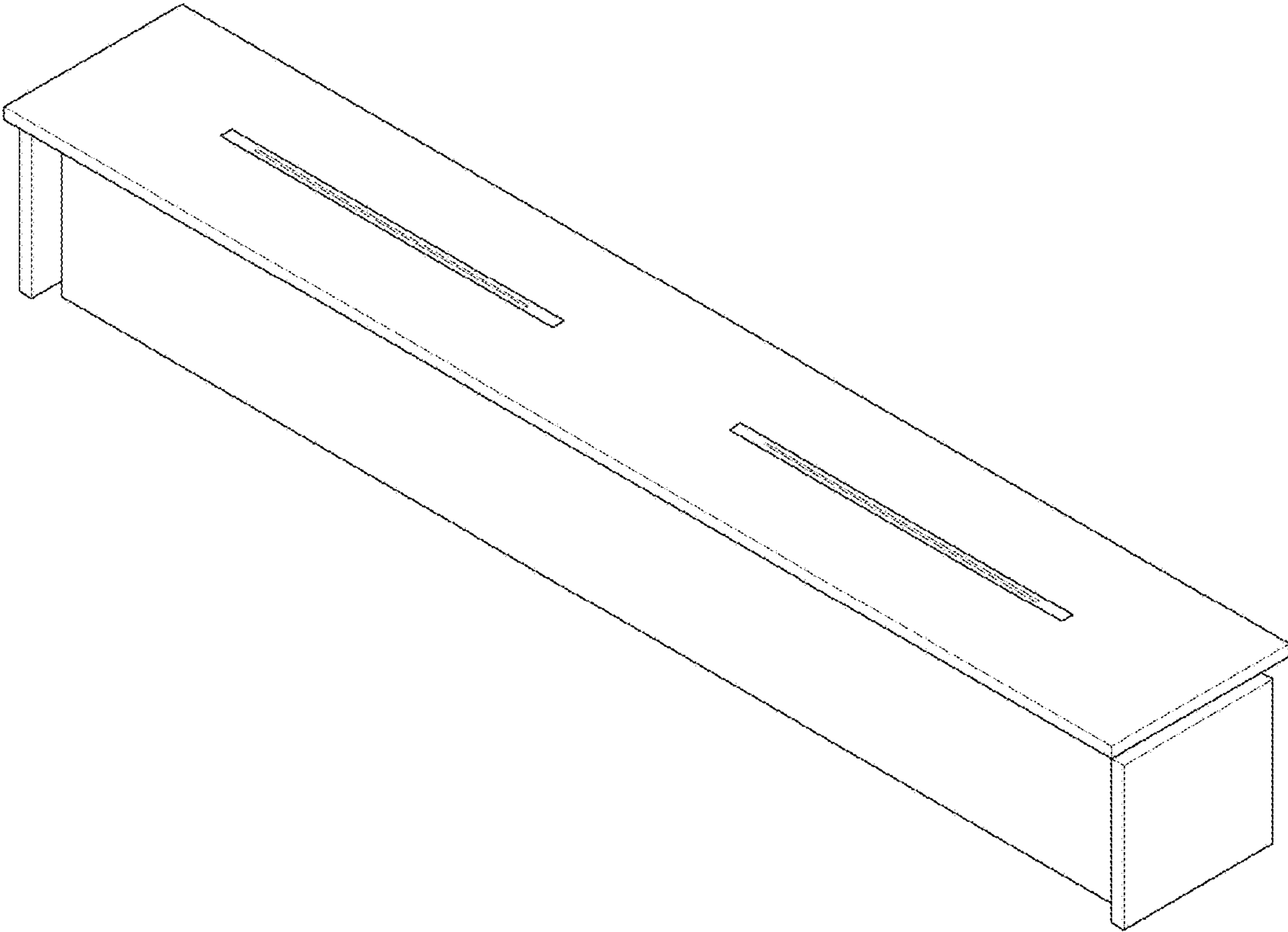
DESCRIPTION

- 1.1 is a perspective view.
- 1.2 is a front view thereof.
- 1.3 is a left side view thereof,
- 1.4 is a top view thereof.
- 1.5 is a bottom view thereof.
- 1.6 is a perspective view with the display portion partially extended.
- 1.7 is a perspective view with the display portion fully extended.
- 1.8 is a front view thereof.
- 1.9 is a left view thereof.
- 1.10 is a top view thereof.
- 1.11 is a bottom view thereof.

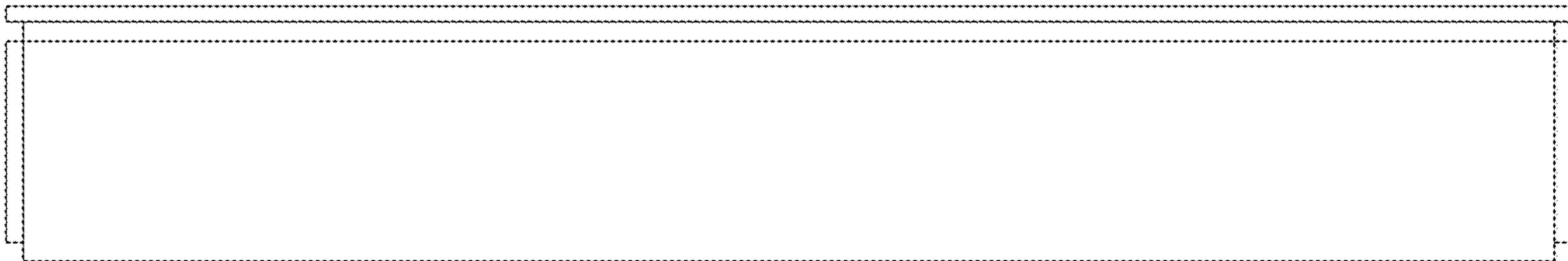
1 Claim, 11 Drawing Sheets



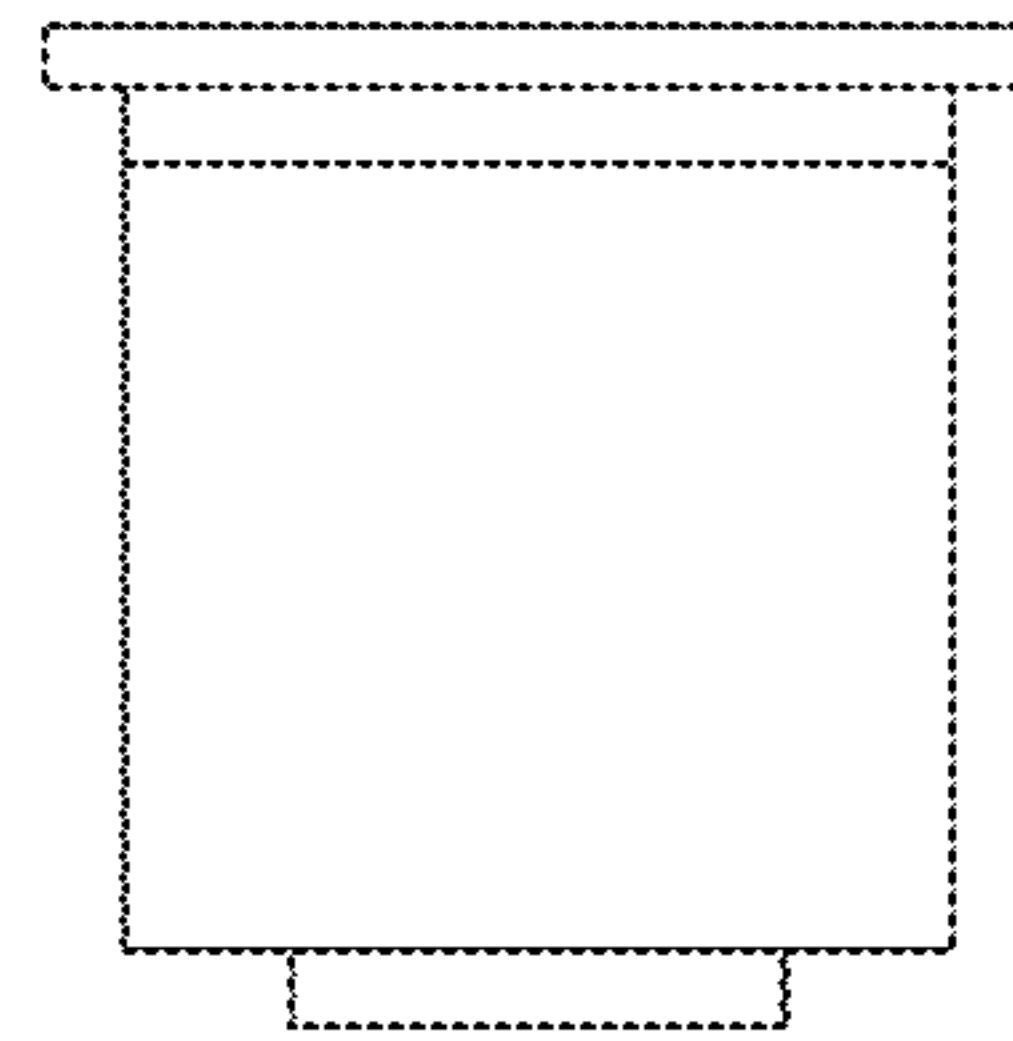
1.1



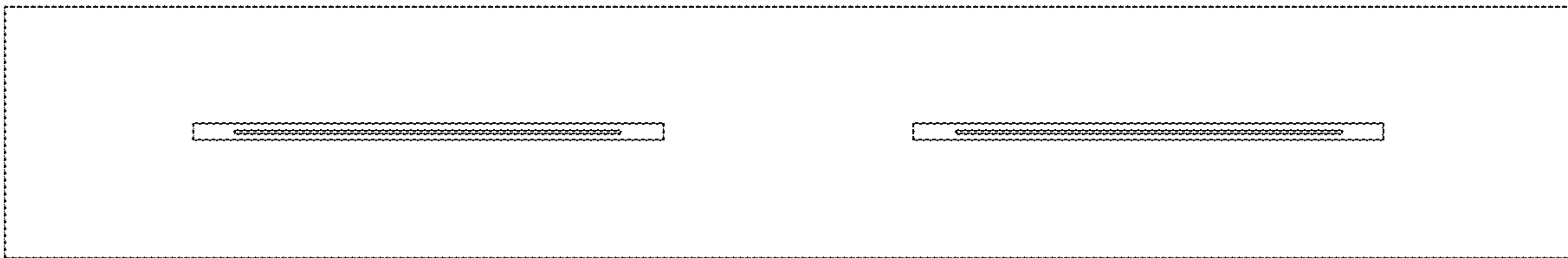
1.2



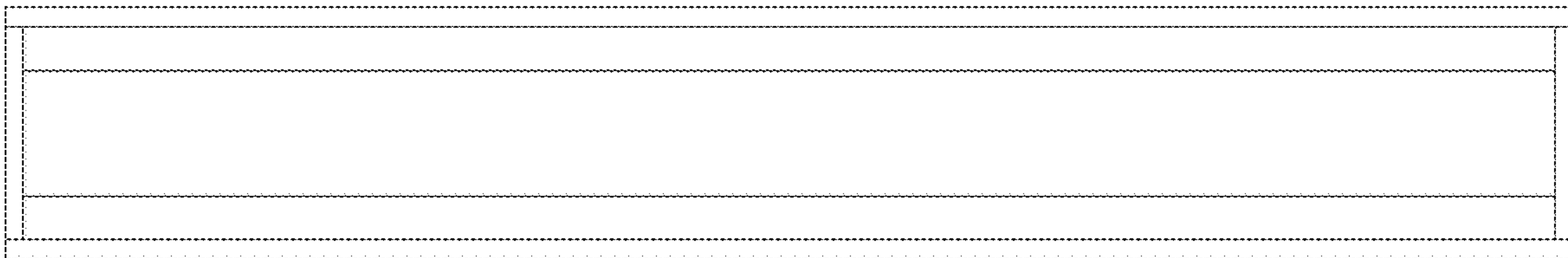
1.3



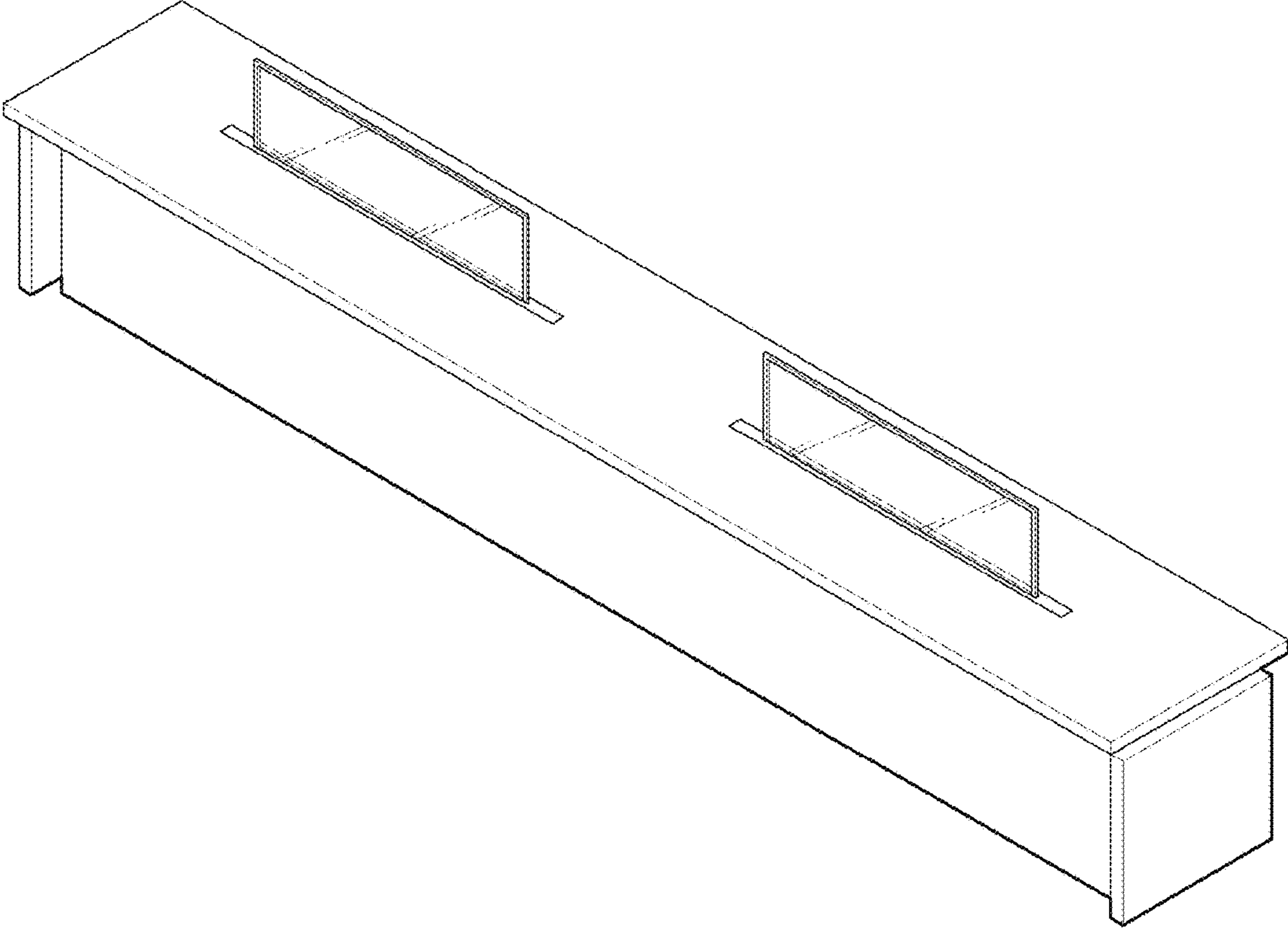
1.4



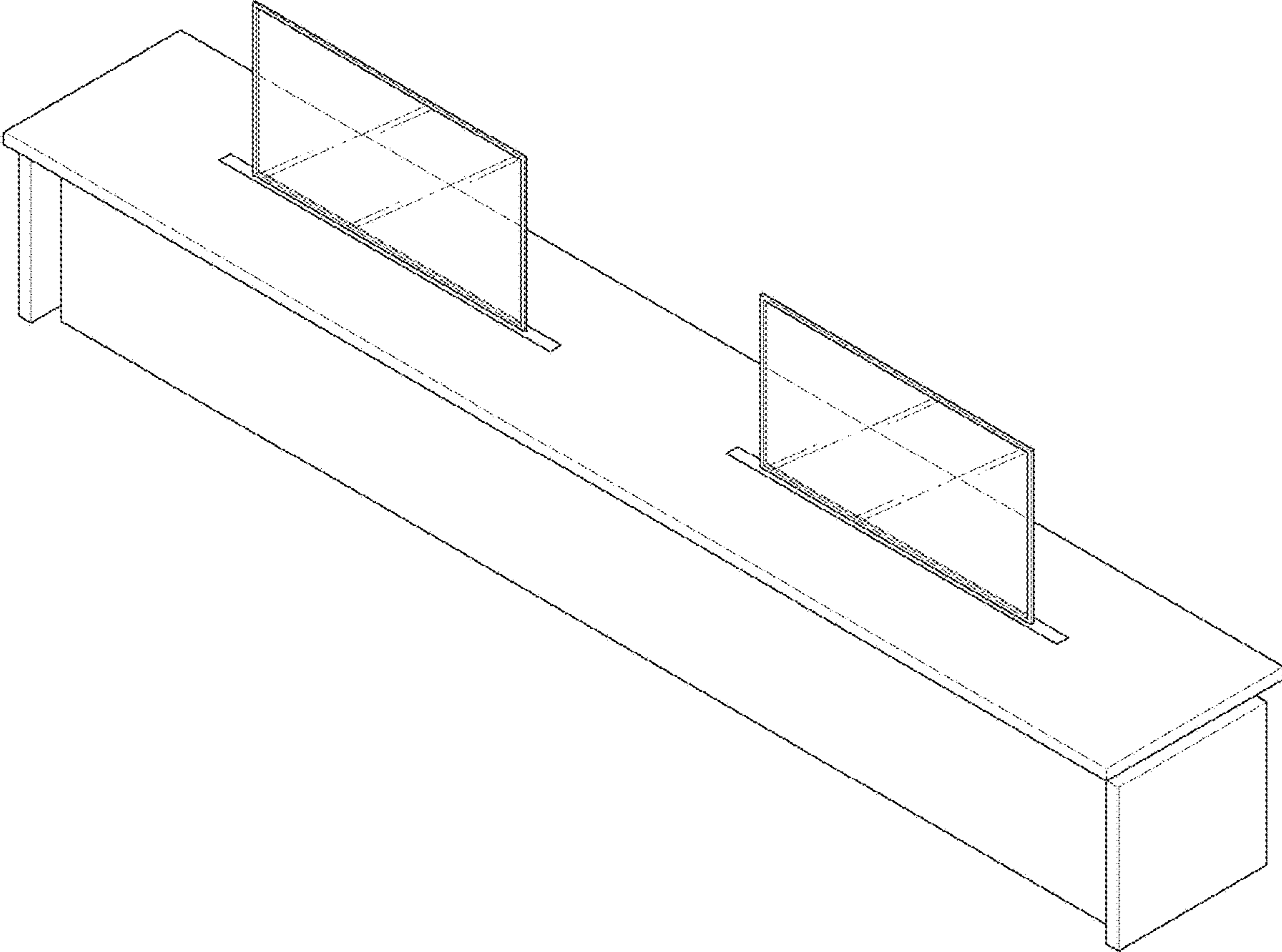
1.5



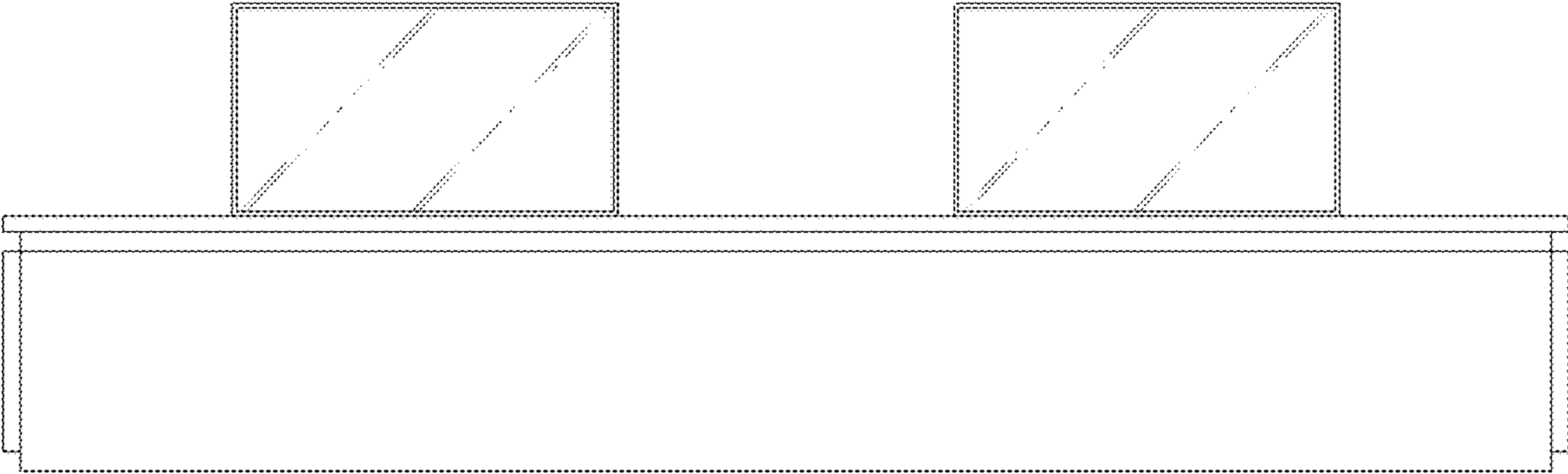
1.6



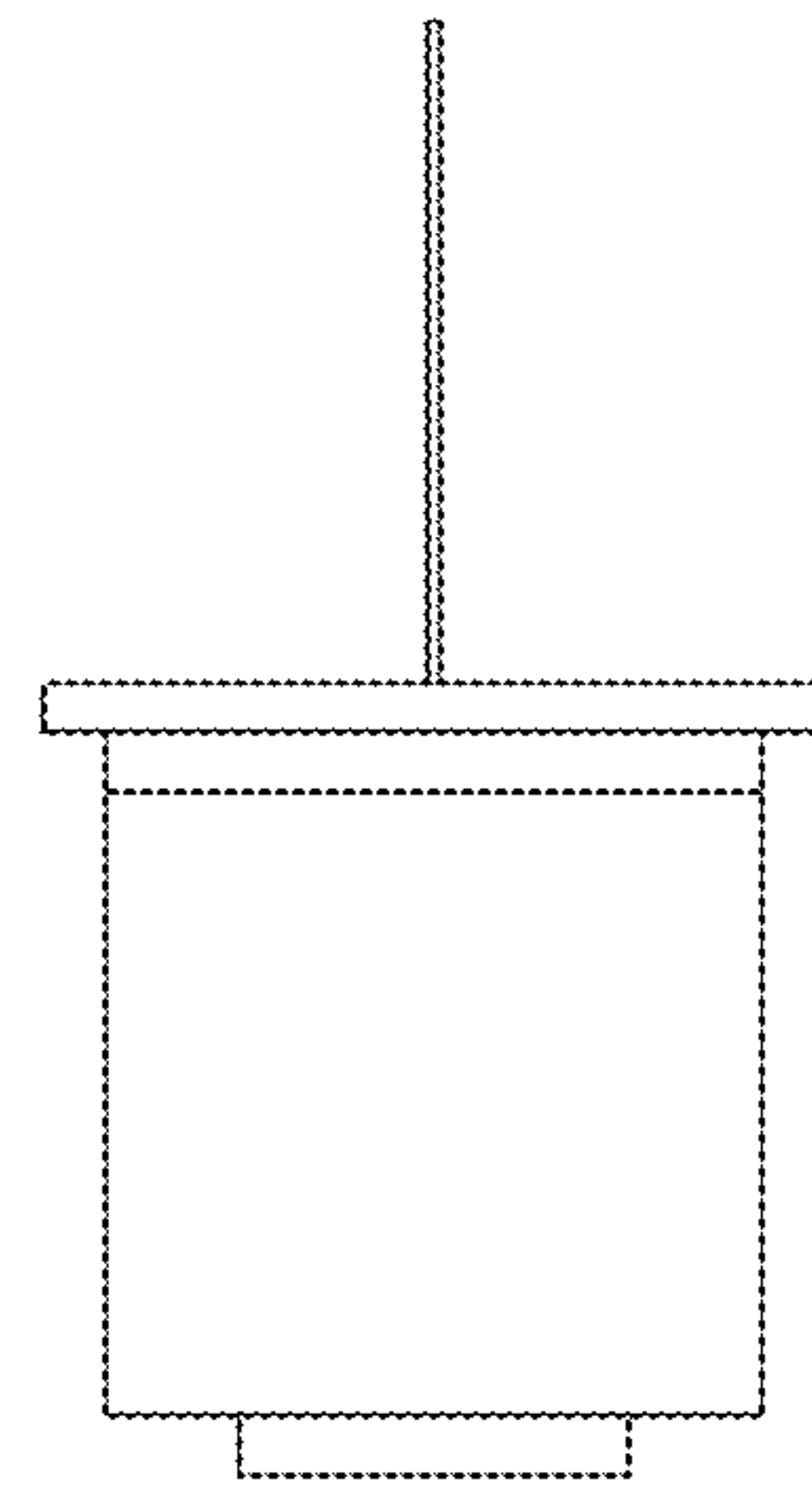
1.7



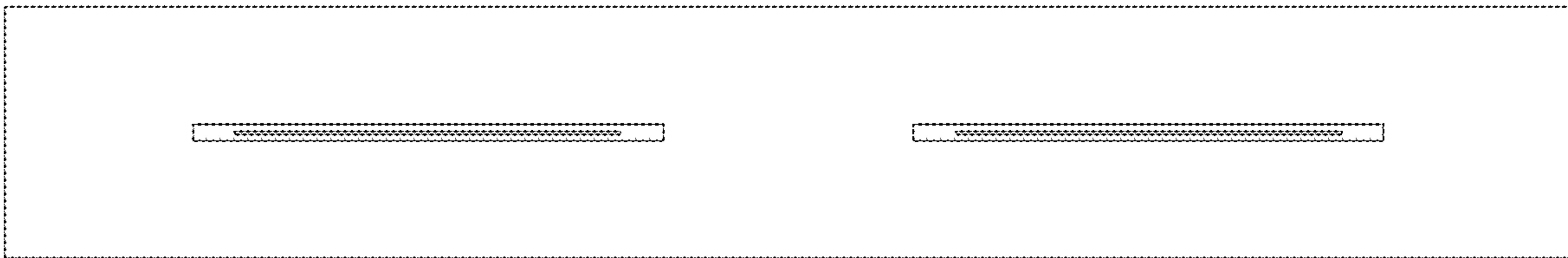
1.8



1.9



1.10



1.11

