



US00D936739S

(12) **United States Design Patent**  
**Hamamatsu**

(10) **Patent No.:** **US D936,739 S**

(45) **Date of Patent:** **\*\* Nov. 23, 2021**

- (54) **PEN**
- (71) Applicant: **MITSUBISHI PENCIL COMPANY, LIMITED**, Tokyo (JP)
- (72) Inventor: **Shinya Hamamatsu**, Tokyo (JP)
- (73) Assignee: **MITSUBISHI PENCIL COMPANY, LIMITED**, Tokyo (JP)
- (\*\*) Term: **15 Years**
- (21) Appl. No.: **29/725,244**
- (22) Filed: **Feb. 24, 2020**

- D286,791 S \* 11/1986 Booker ..... D19/168
  - 5,433,545 A \* 7/1995 Keil ..... B43K 5/03  
401/199
  - 5,615,963 A \* 4/1997 Kobayashi ..... B05C 17/002  
401/199
  - D408,448 S \* 4/1999 Rebien ..... D19/170
  - D408,451 S \* 4/1999 Ido ..... D19/200
  - D446,242 S \* 8/2001 Stukenkemper ..... D19/168
  - 6,332,247 B1 \* 12/2001 Hsieh ..... B43K 25/00  
24/10 R
  - 6,439,793 B1 \* 8/2002 Nishitani ..... B43K 8/06  
401/261
  - D485,298 S \* 1/2004 Hung ..... D19/163
  - D491,223 S \* 6/2004 Wang ..... D19/169
- (Continued)

- (30) **Foreign Application Priority Data**
- Aug. 22, 2019 (JP) ..... 2019-018578
- (51) **LOC (13) Cl.** ..... **19-06**
- (52) **U.S. Cl.**
- USPC ..... **D19/171**
- (58) **Field of Classification Search**
- USPC ..... D19/115-204; D14/411
- CPC . B43K 5/005; B43K 7/12; B43K 8/00; B43K  
8/02; B43K 8/04; B43K 8/06; B43K  
21/003; B43K 21/006; B43K 23/004
- See application file for complete search history.

**FOREIGN PATENT DOCUMENTS**

- CN 306262420 \* 1/2021
  - CN 306671641 \* 7/2021
- (Continued)

*Primary Examiner* — Elizabeth A. Albert  
(74) *Attorney, Agent, or Firm* — Andrew F. Young, Esq.;  
Nolte Lackenbach Siegel

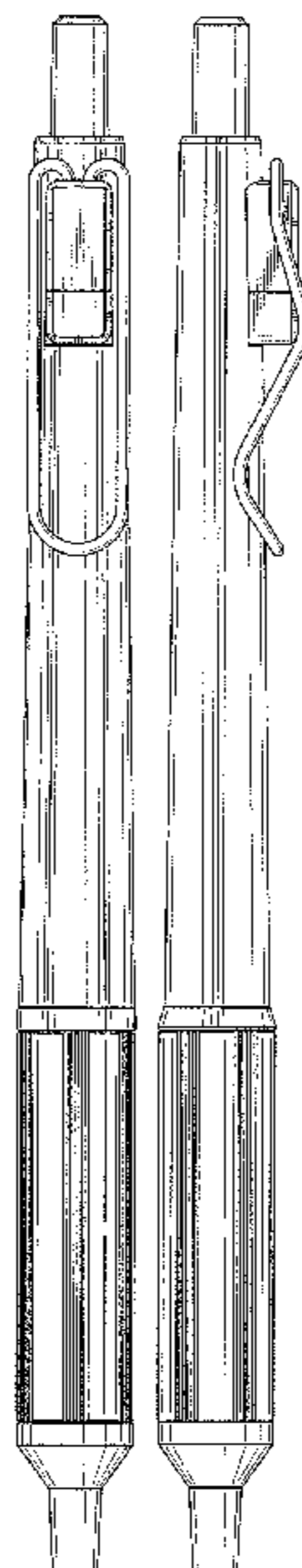
- (56) **References Cited**
- U.S. PATENT DOCUMENTS**
- D157,918 S \* 3/1950 Stewart ..... D19/200
- D172,313 S \* 5/1954 Rucker ..... D19/186
- 3,779,652 A \* 12/1973 Kunitoku ..... B43K 21/00  
401/50
- D251,123 S \* 2/1979 Horntrich ..... D19/164
- D264,854 S \* 6/1982 Spiegel ..... D19/168
- D265,212 S \* 6/1982 Spiegel ..... D19/170
- D268,935 S \* 5/1983 Horntrich ..... D19/164
- D286,164 S \* 10/1986 Tinz ..... D19/169

(57) **CLAIM**  
The ornamental design for a pen, as shown and described.

**DESCRIPTION**

FIG. 1 is a perspective view of a pen showing my new design;  
FIG. 2 is a front elevational view thereof;  
FIG. 3 is a left side elevational view thereof;  
FIG. 4 is a right side elevational view thereof;  
FIG. 5 is a rear elevational view thereof;  
FIG. 6 is a top plan view thereof;  
FIG. 7 is a bottom plan view thereof; and,  
FIG. 8 is an enlarged cross-sectional view thereof taken along line 8-8 in FIG. 4.

**1 Claim, 5 Drawing Sheets**



(56)

References Cited

U.S. PATENT DOCUMENTS

6,761,496 B2 \* 7/2004 Osada ..... B43K 1/12  
 401/199  
 D493,834 S \* 8/2004 Yeh ..... D19/121  
 D494,217 S \* 8/2004 Tien ..... D19/170  
 D498,791 S \* 11/2004 Morrow ..... D19/197  
 D499,142 S \* 11/2004 Morrow ..... D19/172  
 7,172,359 B2 \* 2/2007 Mock ..... B43K 8/022  
 401/202  
 7,179,004 B2 \* 2/2007 Cetera ..... B43K 25/026  
 24/11 HC  
 D555,726 S \* 11/2007 Huff ..... D19/166  
 D572,753 S \* 7/2008 Brigham ..... D19/185  
 D601,198 S \* 9/2009 Kouda ..... D19/171  
 D611,988 S \* 3/2010 Huff ..... D19/170  
 D646,719 S \* 10/2011 Kim ..... D19/169  
 8,092,108 B2 \* 1/2012 Bainbridge ..... B43K 11/00  
 401/171  
 D659,141 S \* 5/2012 Watson ..... D14/411  
 8,640,310 B2 \* 2/2014 Caniparoli ..... F21L 4/005  
 24/3.12  
 D708,617 S \* 7/2014 Nakata ..... D14/411  
 D717,301 S \* 11/2014 Groene ..... D14/411

9,050,850 B2 \* 6/2015 Gillum ..... B43K 5/1845  
 D768,133 S \* 10/2016 Reed ..... D14/411  
 D787,105 S \* 5/2017 Kelleghan ..... D26/46  
 D812,060 S \* 3/2018 Lehman ..... D14/411  
 D822,763 S \* 7/2018 Yochai ..... D19/163  
 D879,098 S \* 3/2020 Wu ..... D14/411  
 D888,058 S \* 6/2020 Ding ..... D14/411  
 D892,800 S \* 8/2020 Xu ..... D14/411  
 D895,727 S \* 9/2020 Lau ..... D19/170  
 D901,585 S \* 11/2020 Vadenne ..... D19/186  
 D903,681 S \* 12/2020 Tao ..... D14/411  
 D918,208 S \* 5/2021 Guo ..... D14/411  
 2007/0127975 A1 \* 6/2007 Cetera ..... B43K 25/026  
 401/131  
 2011/0158738 A1 \* 6/2011 Bainbridge ..... B43K 8/12  
 401/206

FOREIGN PATENT DOCUMENTS

JP D1616017 S 10/2018  
 JP D1631254 S 5/2019  
 JP 1659764 \* 5/2020  
 KR 3004957640000 6/2008  
 WO D207398-001 \* 9/2020

\* cited by examiner

FIG. 1

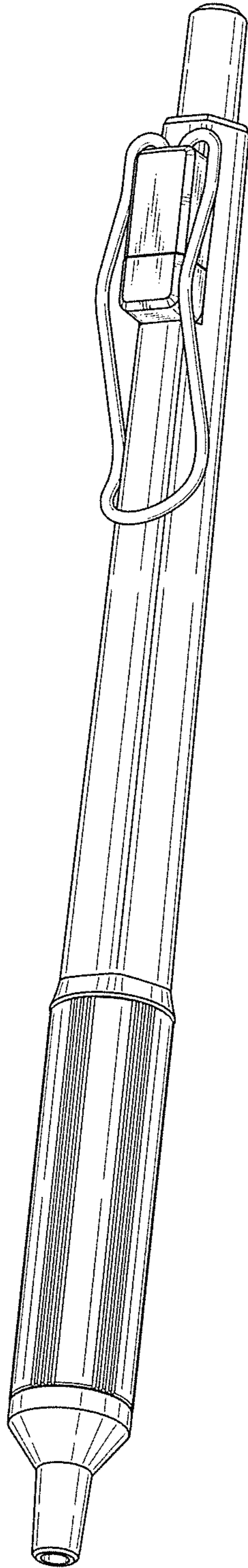


FIG. 2

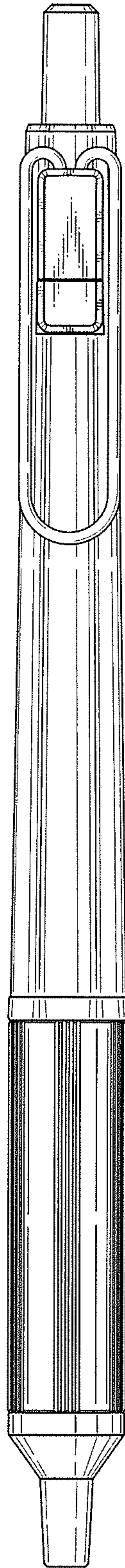


FIG. 3

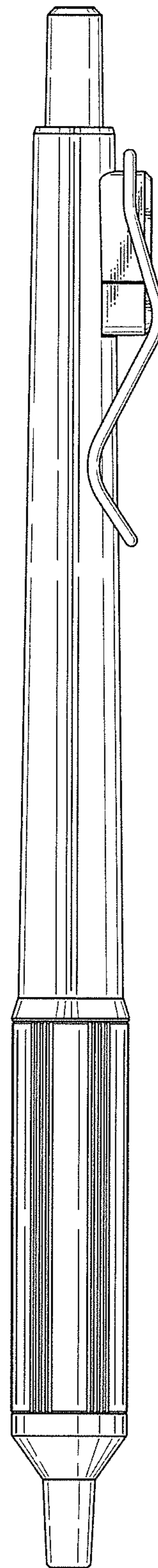




FIG. 4

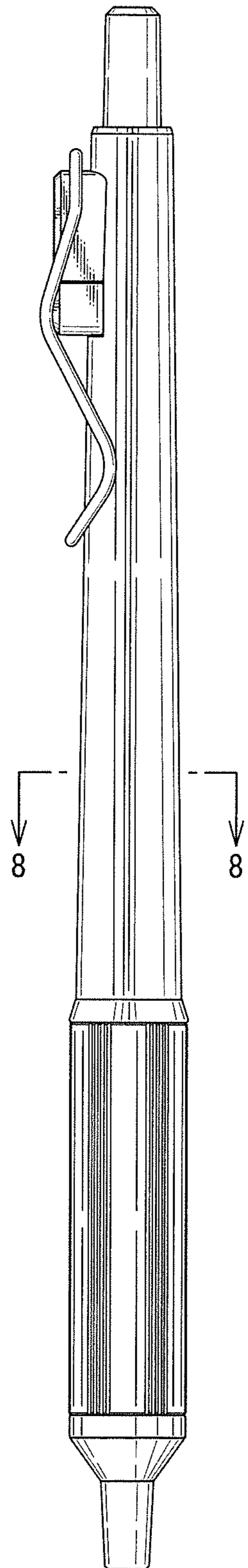


FIG. 5

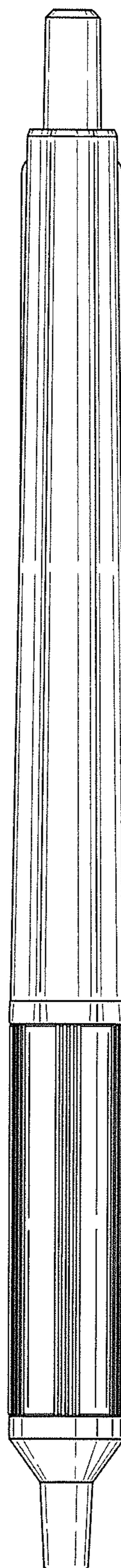


FIG. 6

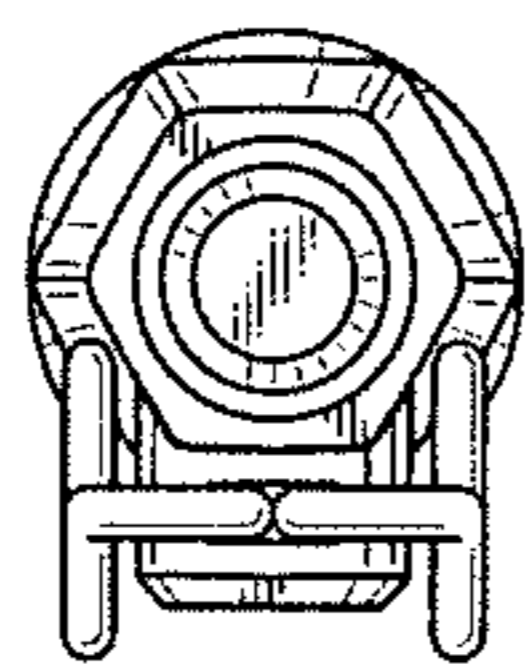


FIG. 7

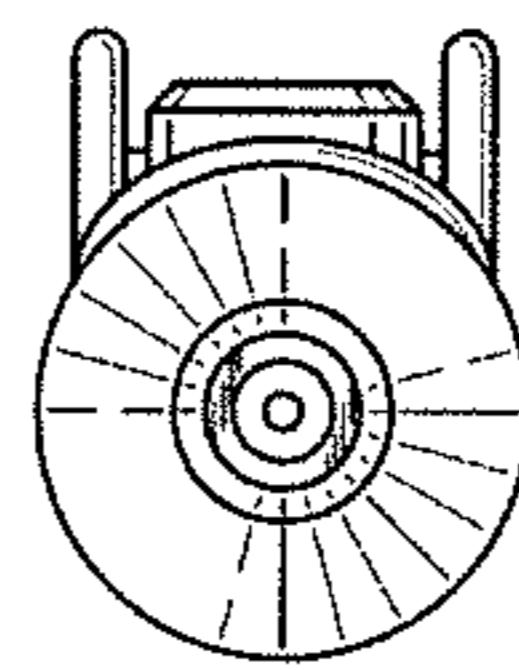


FIG. 8

