



US00D936736S

(12) **United States Design Patent** (10) **Patent No.:** **US D936,736 S**
Lu (45) **Date of Patent:** **** Nov. 23, 2021**

(54) **RENEWABLE TRANSPARENT VISIBLE REFILLABLE INK CARTRIDGE**

(71) Applicant: **Junyang Lu, GaoZhouShi (CN)**

(72) Inventor: **Junyang Lu, GaoZhouShi (CN)**

(**) Term: **15 Years**

(21) Appl. No.: **29/797,074**

(22) Filed: **Jun. 29, 2021**

(51) **LOC (13) Cl.** **18-02**

(52) **U.S. Cl.**
USPC **D18/56**

(58) **Field of Classification Search**
USPC D14/299, 301-303, 307, 332, 386,
D14/420-425, 432, 439, 441, 443, 447,
D14/462-471, 474, 480.5, 483-484;
D18/12, 14, 18-19, 36-41, 43-54, 54.1,
D18/55-59, 99

CPC .. G06K 15/12; G06K 15/14; B41J 3/00; B41J
3/28; B41J 11/00; B41J 11/58; B41J
15/12; B41J 15/042; G03G 15/00; G03G
15/0142; H04N 1/00129; H04N 1/00135;
H04N 1/00204; H04N 1/00278

See application file for complete search history.

(56) **References Cited**

U.S. PATENT DOCUMENTS

D559,995 S 1/2008 Handique et al.
D602,521 S * 10/2009 Saikawa D18/56
D682,930 S 5/2013 Aoki et al.
D682,931 S 5/2013 Aoki
D704,259 S 5/2014 Lecheheb et al.
D712,466 S 9/2014 Nagashima et al.

D761,353 S * 7/2016 Oya D18/56
D762,260 S * 7/2016 Oya D18/56
D762,769 S * 8/2016 Oya D18/56
D762,770 S * 8/2016 Oya D18/56
D794,708 S * 8/2017 Inuma D18/56
D809,596 S * 2/2018 Ishizawa D18/56
D812,767 S 3/2018 Osmus
D829,816 S * 10/2018 Takahashi D18/56
D831,739 S * 10/2018 Inuma D18/56
D833,523 S * 11/2018 Takahashi D18/56
D847,255 S * 4/2019 Takahashi D18/56
D865,054 S * 10/2019 Takahashi D18/56
D875,828 S * 2/2020 Harvey D18/56

* cited by examiner

Primary Examiner — Austin Murphy

(74) *Attorney, Agent, or Firm* — Rumit Ranjit Kanakia

(57) **CLAIM**

I claim the ornamental design for a renewable transparent visible refillable ink cartridge, as shown and described.

DESCRIPTION

FIG. 1 is a Perspective view of a renewable transparent visible refillable ink cartridge showing a transparent cap/cover at the top with a rubber plug in the centre;

FIG. 2 is a Front view thereof;

FIG. 3 is a Back view thereof;

FIG. 4 is a Left-side view thereof;

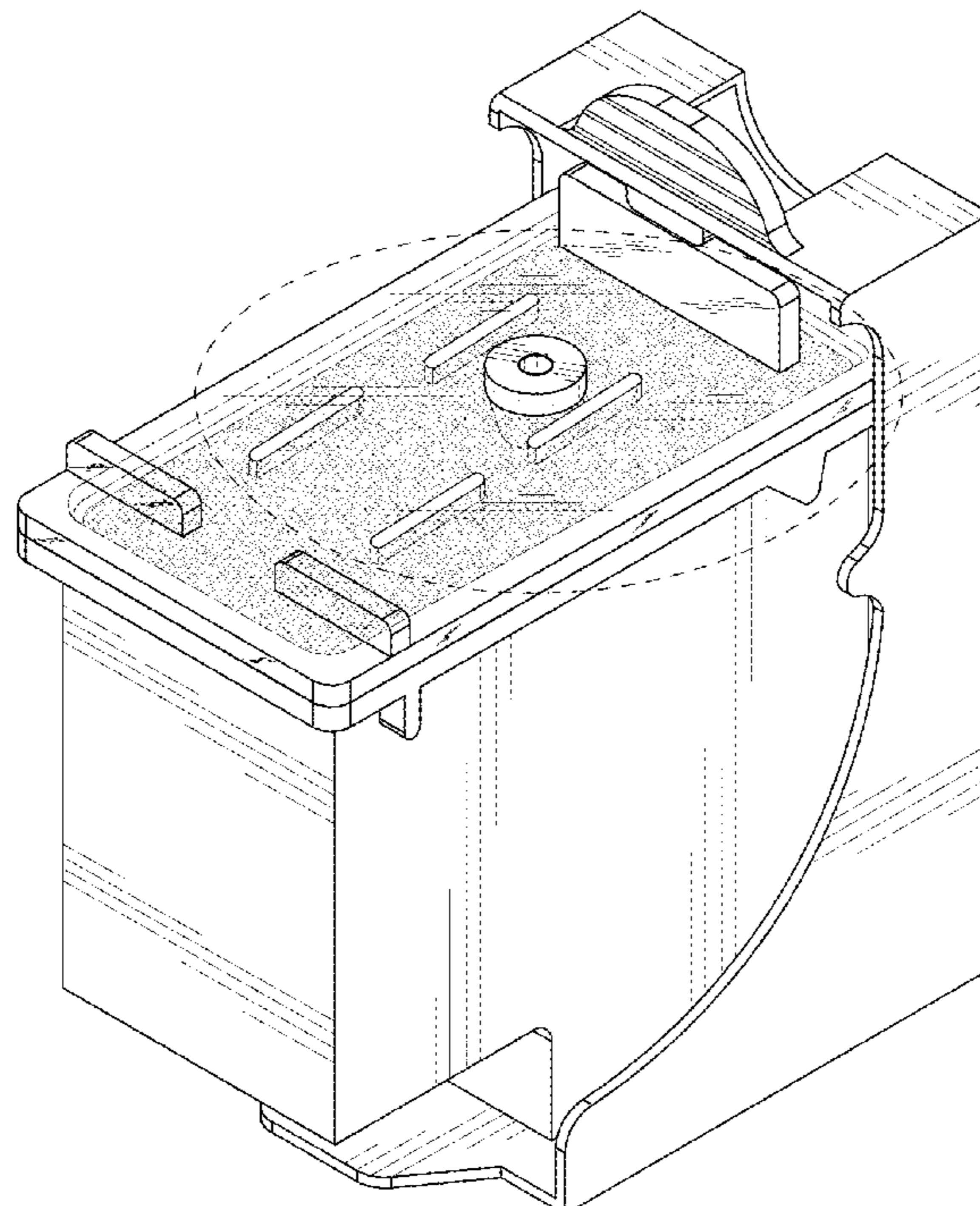
FIG. 5 is a Right-side view thereof;

FIG. 6 is a Top view thereof; and,

FIG. 7 is a Bottom view thereof.

The broken lines in the drawings depict portions of the renewable transparent visible refillable ink cartridge that form no part of the claimed design.

1 Claim, 7 Drawing Sheets



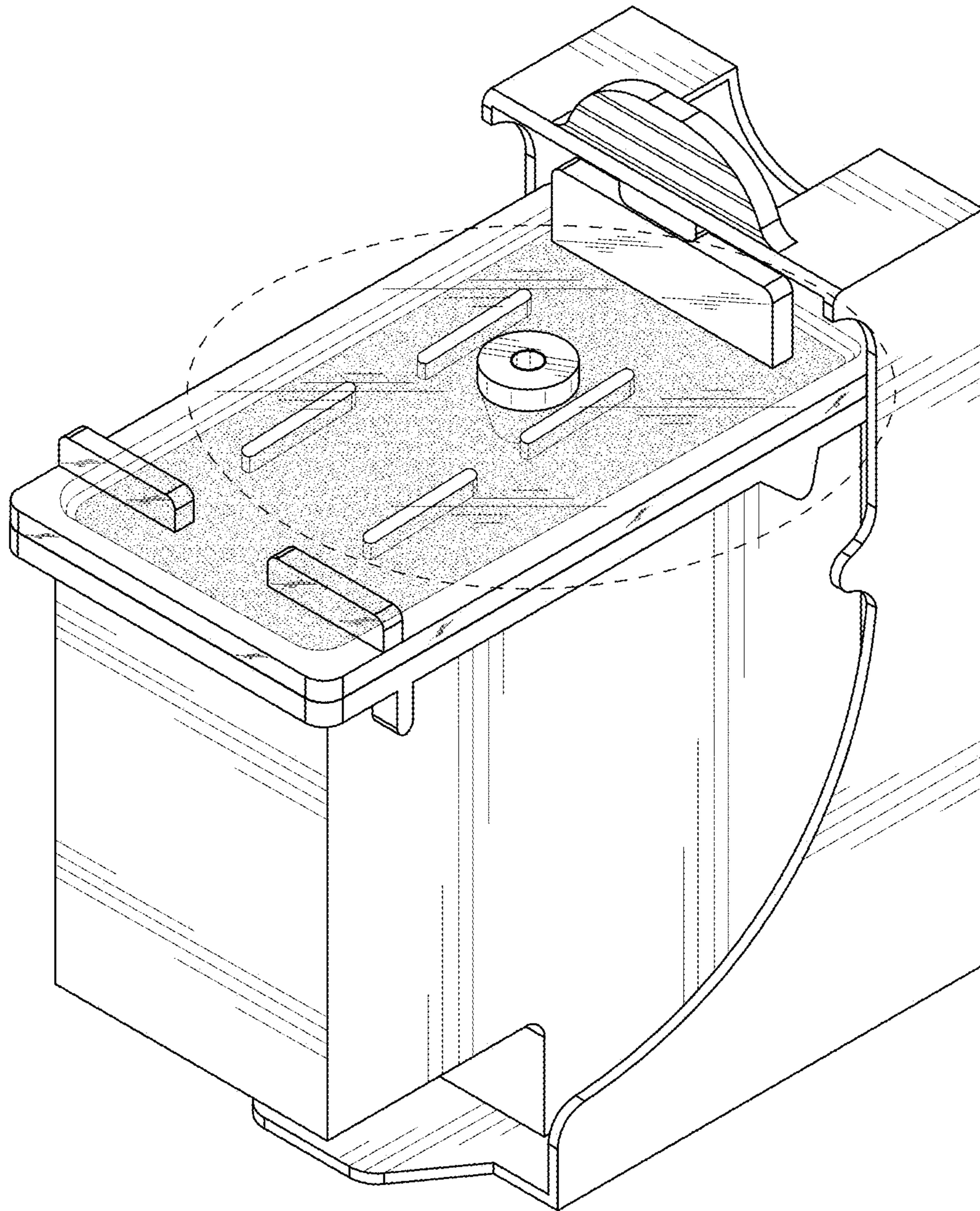


FIG. 1

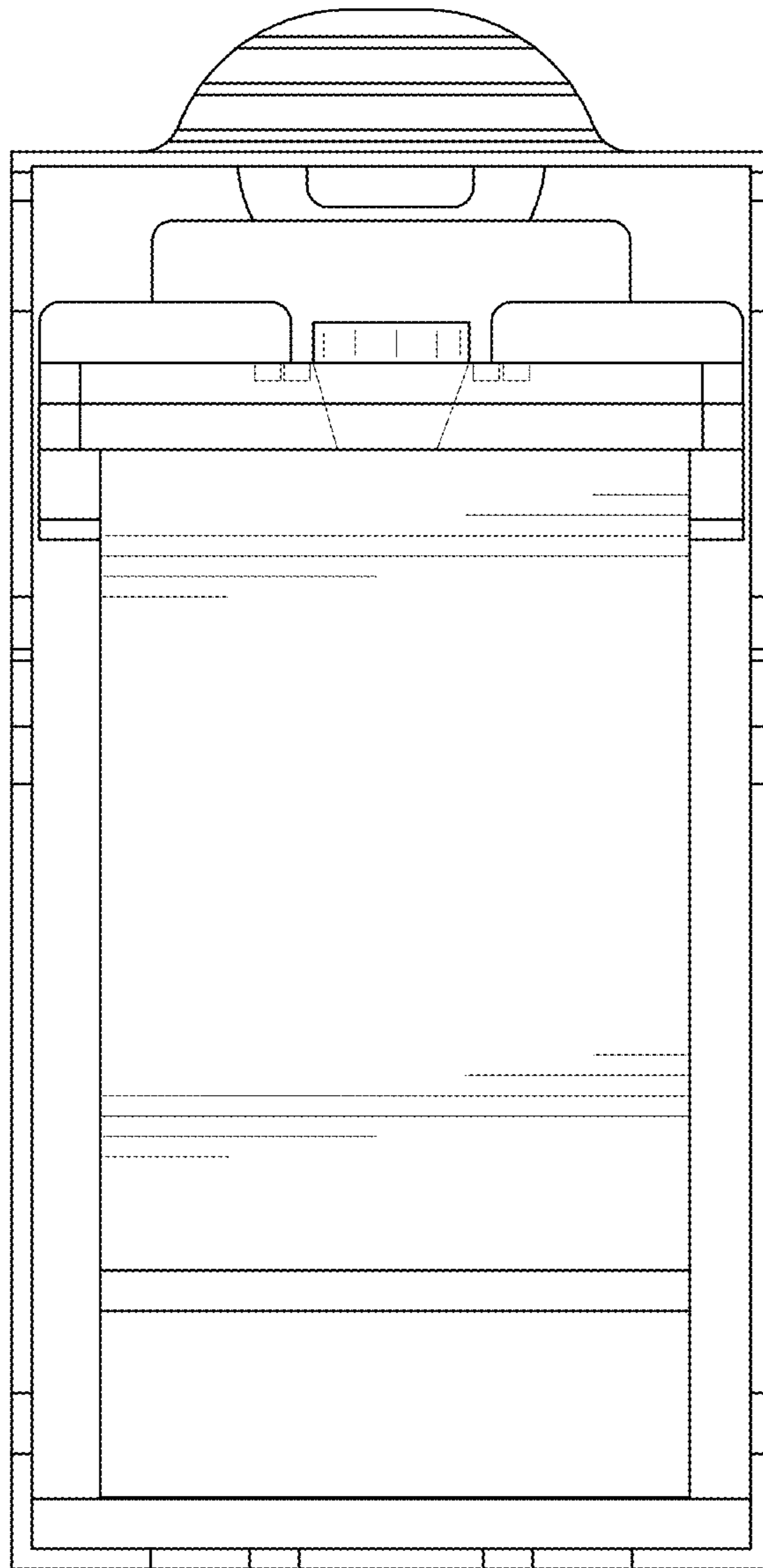


FIG. 2

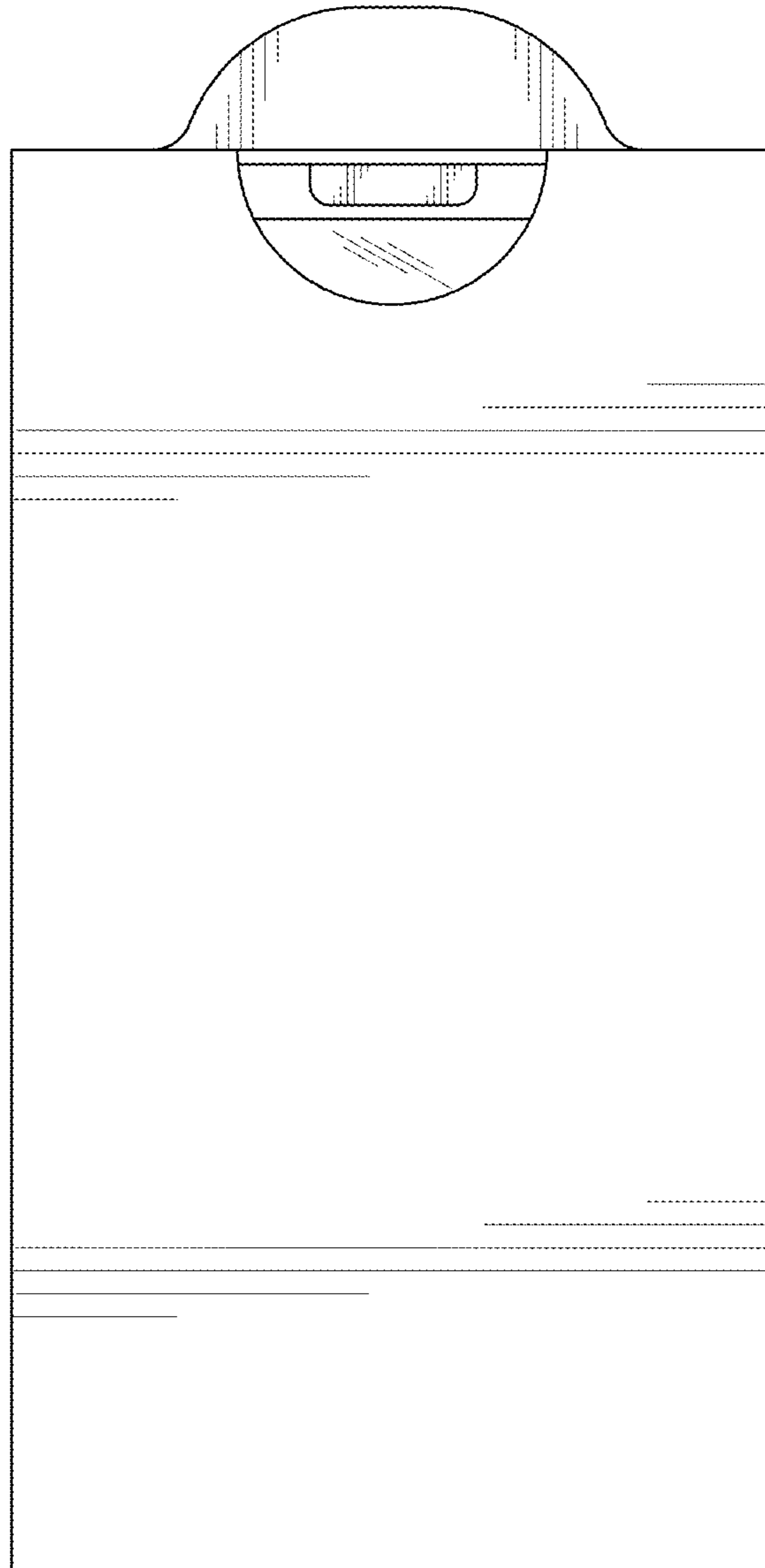


FIG. 3

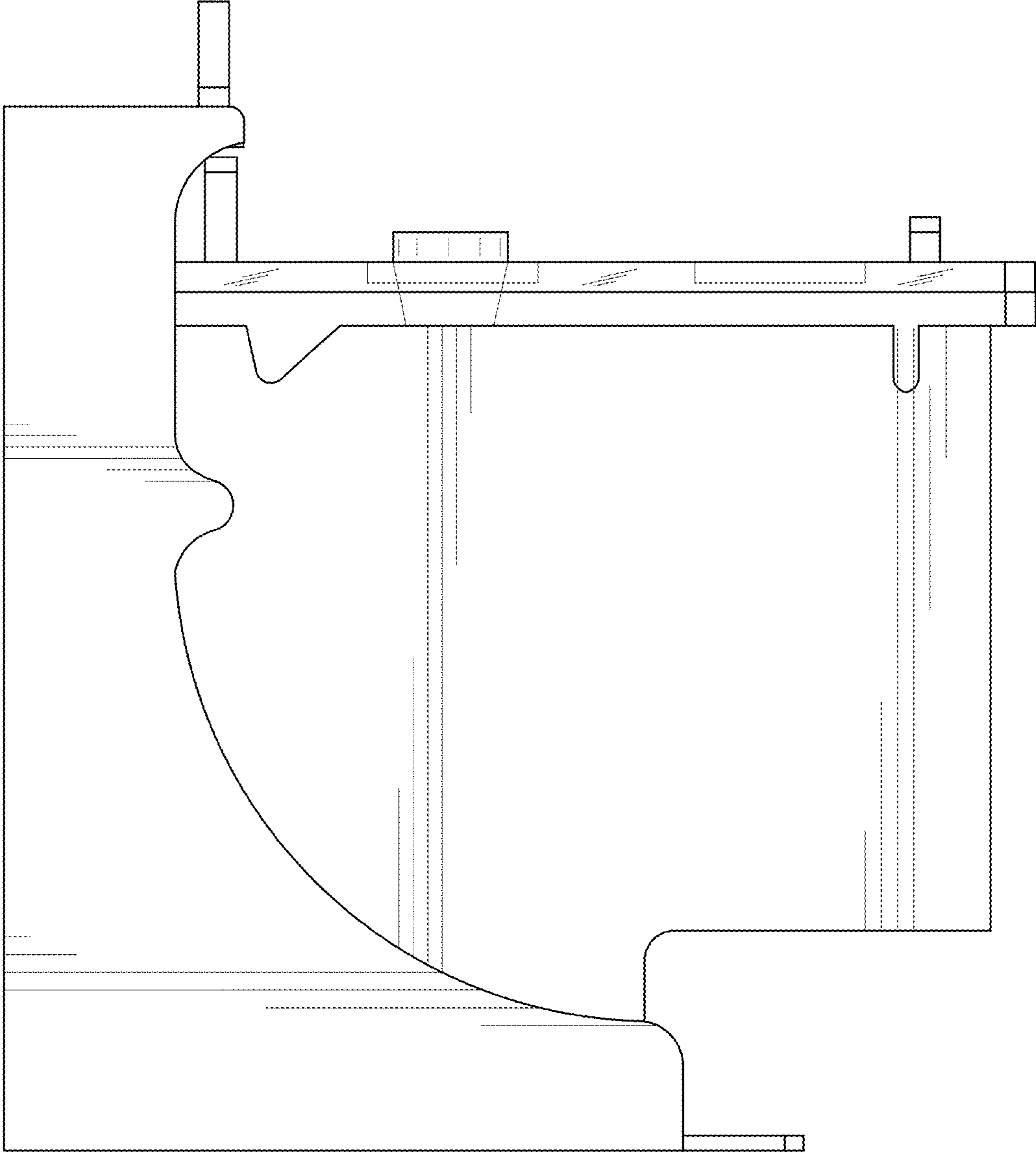


FIG. 4

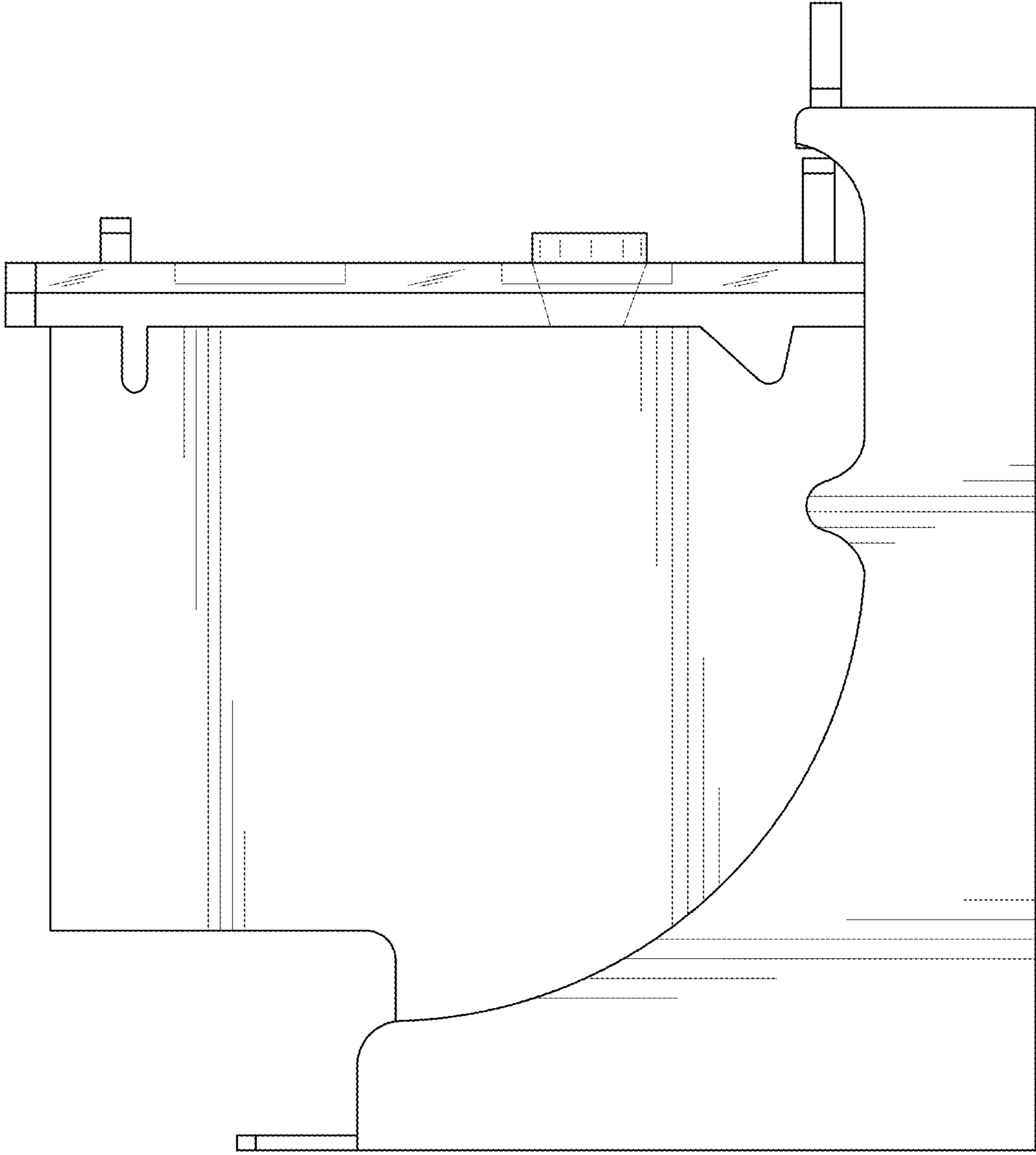


FIG. 5

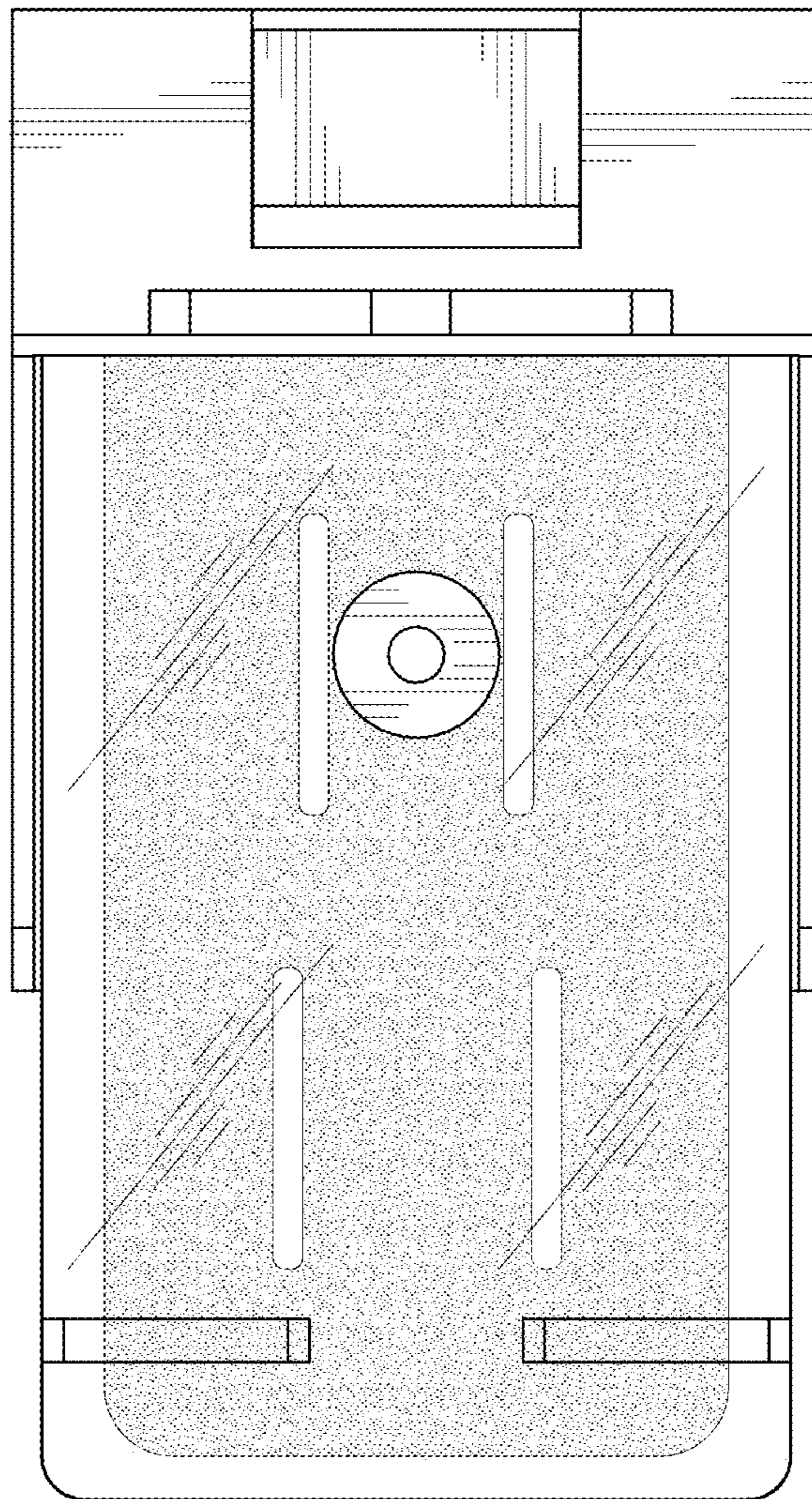


FIG. 6

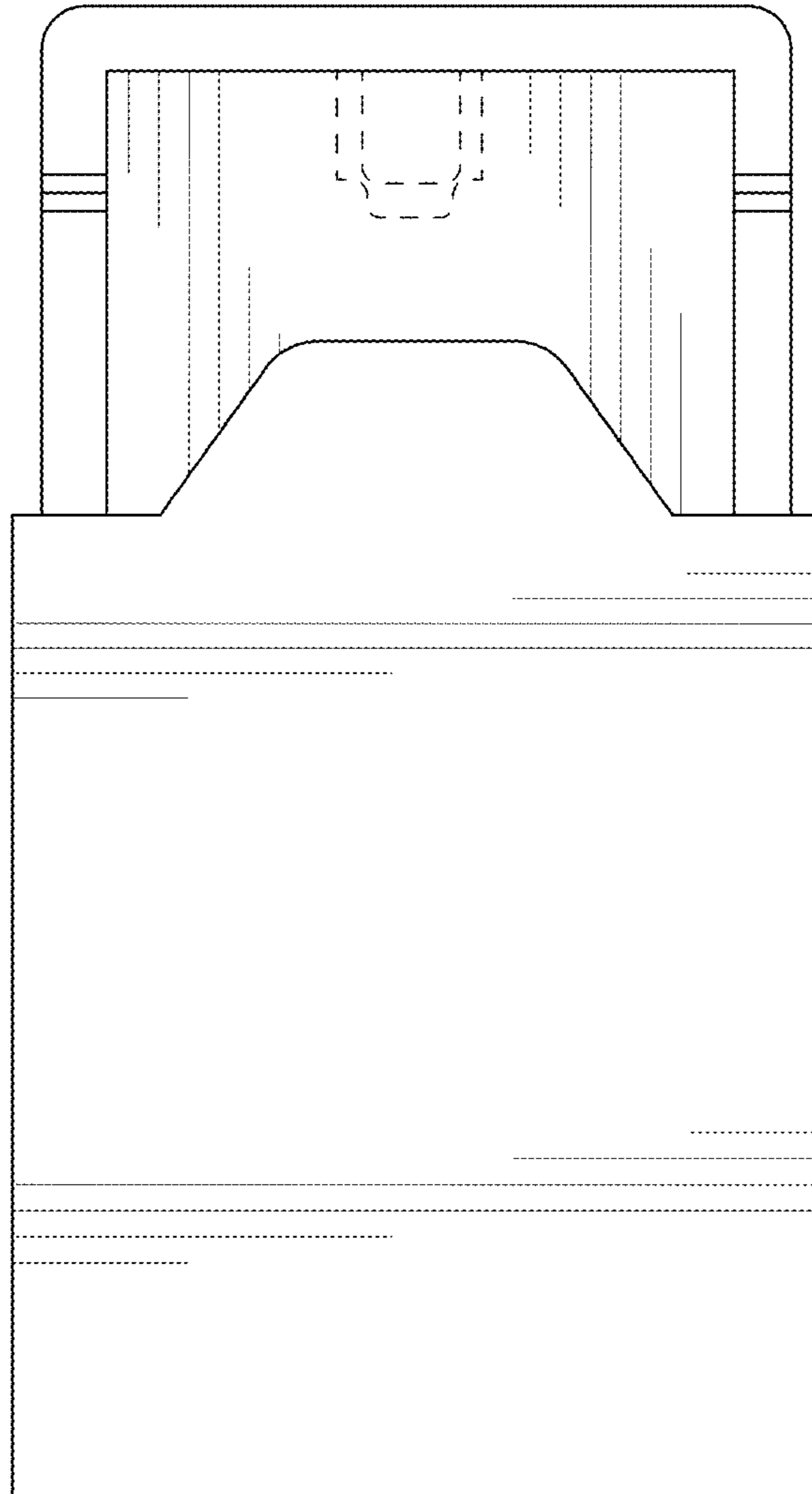


FIG. 7