



US00D936735S

(12) **United States Design Patent**
Jin et al.

(10) **Patent No.:** **US D936,735 S**

(45) **Date of Patent:** **** Nov. 23, 2021**

(54) **APPLICATOR FOR WIPES**

6,328,252 B1 * 12/2001 Neveu A47K 10/3818
221/1

(71) Applicant: **Kinnos Inc.**, Brooklyn, NY (US)

D482,390 S 11/2003 Ueno et al.
D485,859 S 1/2004 Ueno et al.

(72) Inventors: **Katherine Jin**, Brooklyn, NY (US);
Jason Kang, Brooklyn, NY (US);
Kevin Tyan, Brooklyn, NY (US);
Joseph W. Pruitt, Athens, GA (US);
Jeffrey P. Broadrick, Brooklyn, NY
(US); **Donald A. Muntner**, Hoschton,
GA (US); **Noah McNeely**, Grayson, GA
(US)

7,510,137 B2 * 3/2009 Tramontina A47K 10/3818
242/593
7,922,034 B2 * 4/2011 Neveu A47K 10/3818
221/45

(73) Assignee: **Kinnos Inc.**, Brooklyn, NY (US)

D719,023 S 12/2014 Hu et al.
D786,345 S 5/2017 Kumura et al.
D806,573 S 1/2018 Sobel
D816,157 S 4/2018 Ishizawa et al.
D834,413 S 11/2018 Tran
D850,495 S 6/2019 Dubiel et al.
D858,627 S 9/2019 Campanini
D859,154 S 9/2019 Skillin
D861,065 S 9/2019 Chih
D862,588 S 10/2019 Huang et al.
D869,550 S 12/2019 Yoshii et al.

(**) Term: **15 Years**

(21) Appl. No.: **29/768,034**

(Continued)

(22) Filed: **Jan. 27, 2021**

Primary Examiner — Zenia I Bennett

Related U.S. Application Data

(74) *Attorney, Agent, or Firm* — Elmore Patent Law
Group, P.C.; Joseph C. Zucchero; Carolyn S. Elmore

(62) Division of application No. 29/680,685, filed on Feb.
19, 2019, now Pat. No. Des. 916,960.

(51) **LOC (13) Cl.** **18-02**

(57) **CLAIM**

(52) **U.S. Cl.**

USPC **D18/56**; D9/434; D6/518

The ornamental design for an applicator for wipes, as shown
and described.

(58) **Field of Classification Search**

USPC D9/434, 435, 447, 449, 518, 734;
D6/512, 515, 518, 519; D18/14, 15, 18,
D18/19, 40, 43, 50, 56; D19/66, 70, 71
CPC ... A47K 10/24; A47K 10/3818; B41J 2/1752;
B41K 1/40; B41K 1/48; B65D 83/08
See application file for complete search history.

DESCRIPTION

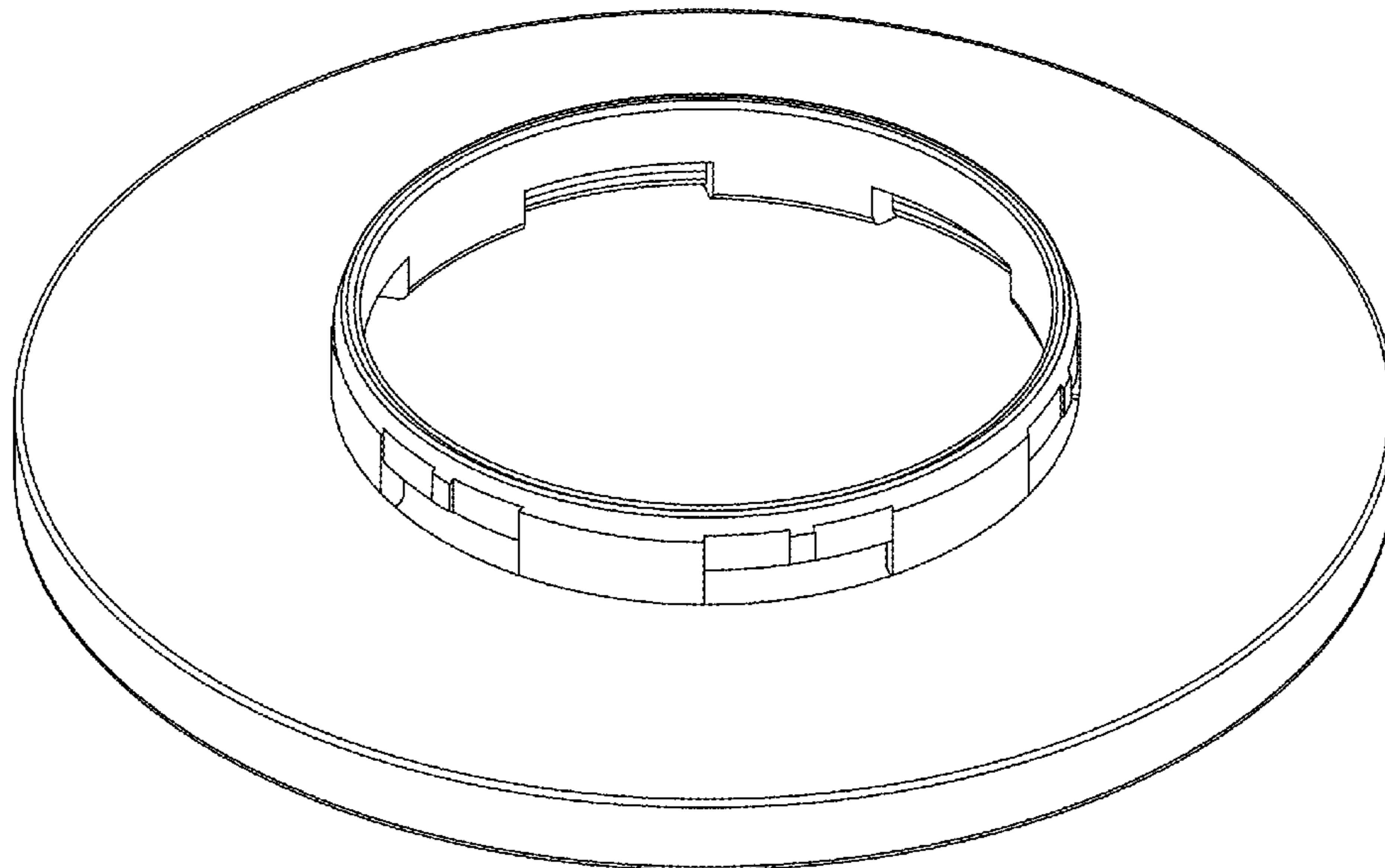
FIG. 1 is a top, rear, and left side perspective view of an
adapter of an applicator for wipes showing my new design;
FIG. 2 is a rear view thereof;
FIG. 3 is a front view thereof;
FIG. 4 is a right side view thereof;
FIG. 5 is a left side view thereof;
FIG. 6 is a top view thereof; and,
FIG. 7 is a bottom view thereof.

(56) **References Cited**

U.S. PATENT DOCUMENTS

6,145,782 A * 11/2000 King A47K 10/3818
242/593
6,267,321 B1 * 7/2001 Tramontina A47K 10/3818
206/409

1 Claim, 7 Drawing Sheets



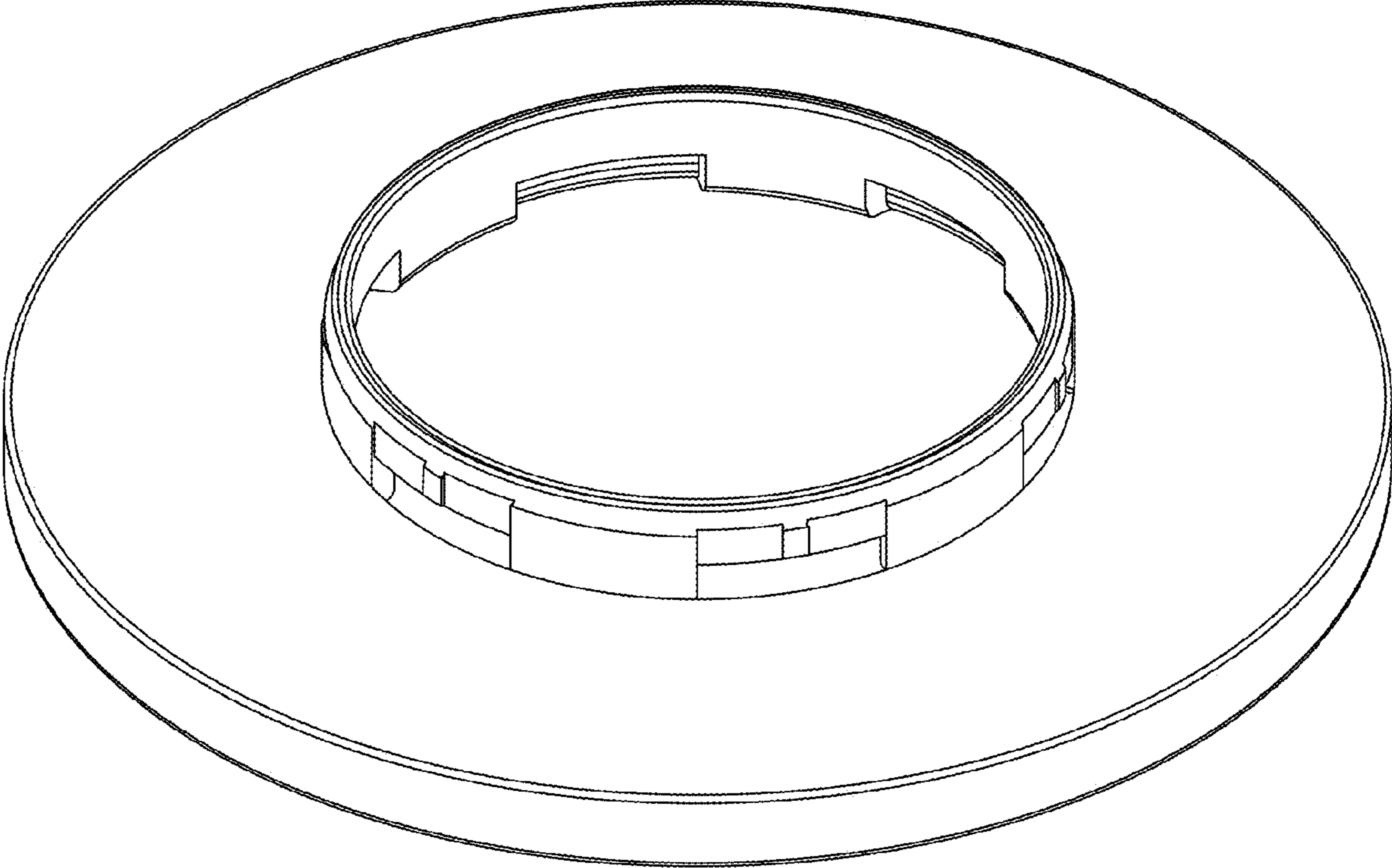


FIG. 1

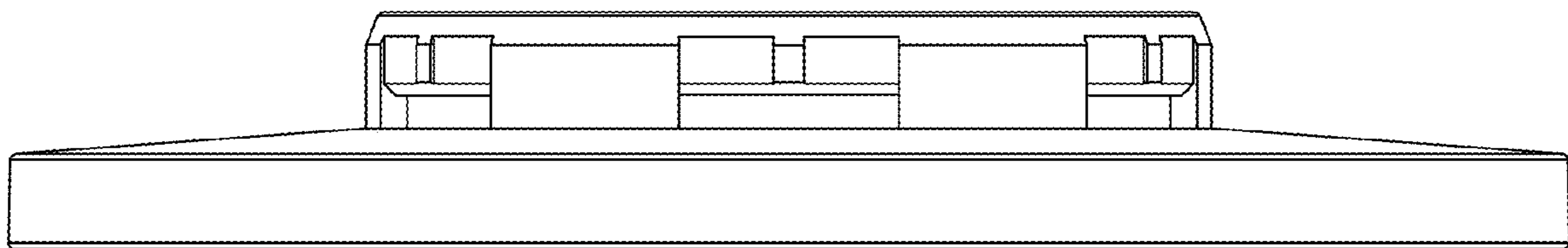


FIG. 2

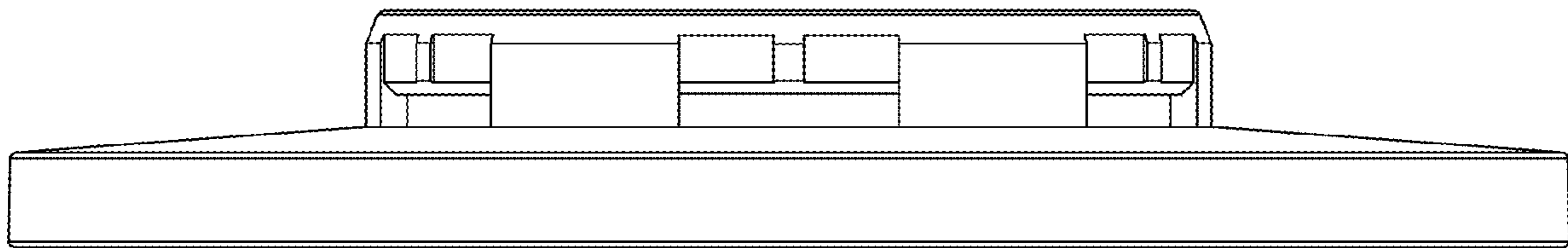


FIG. 3

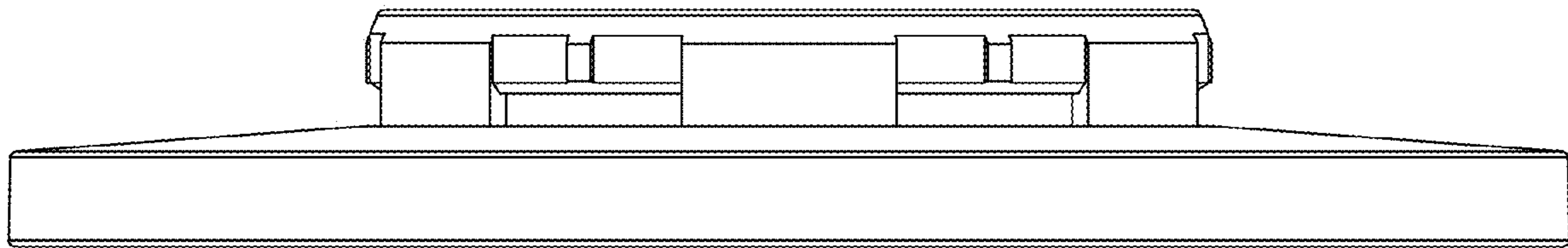


FIG. 4

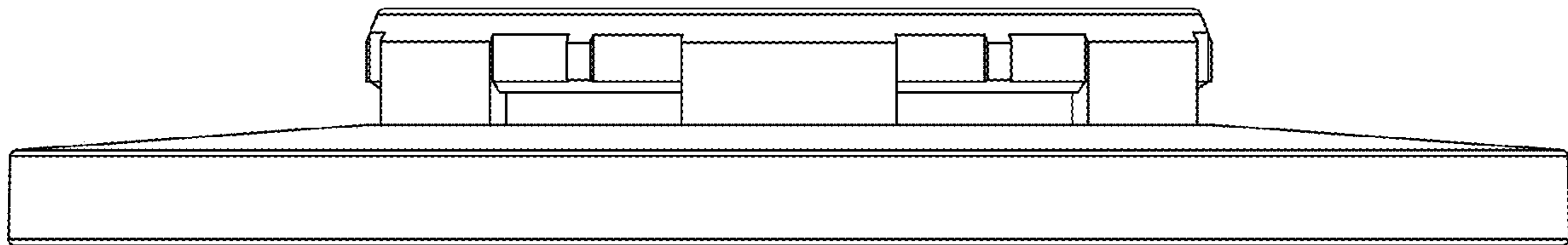


FIG. 5

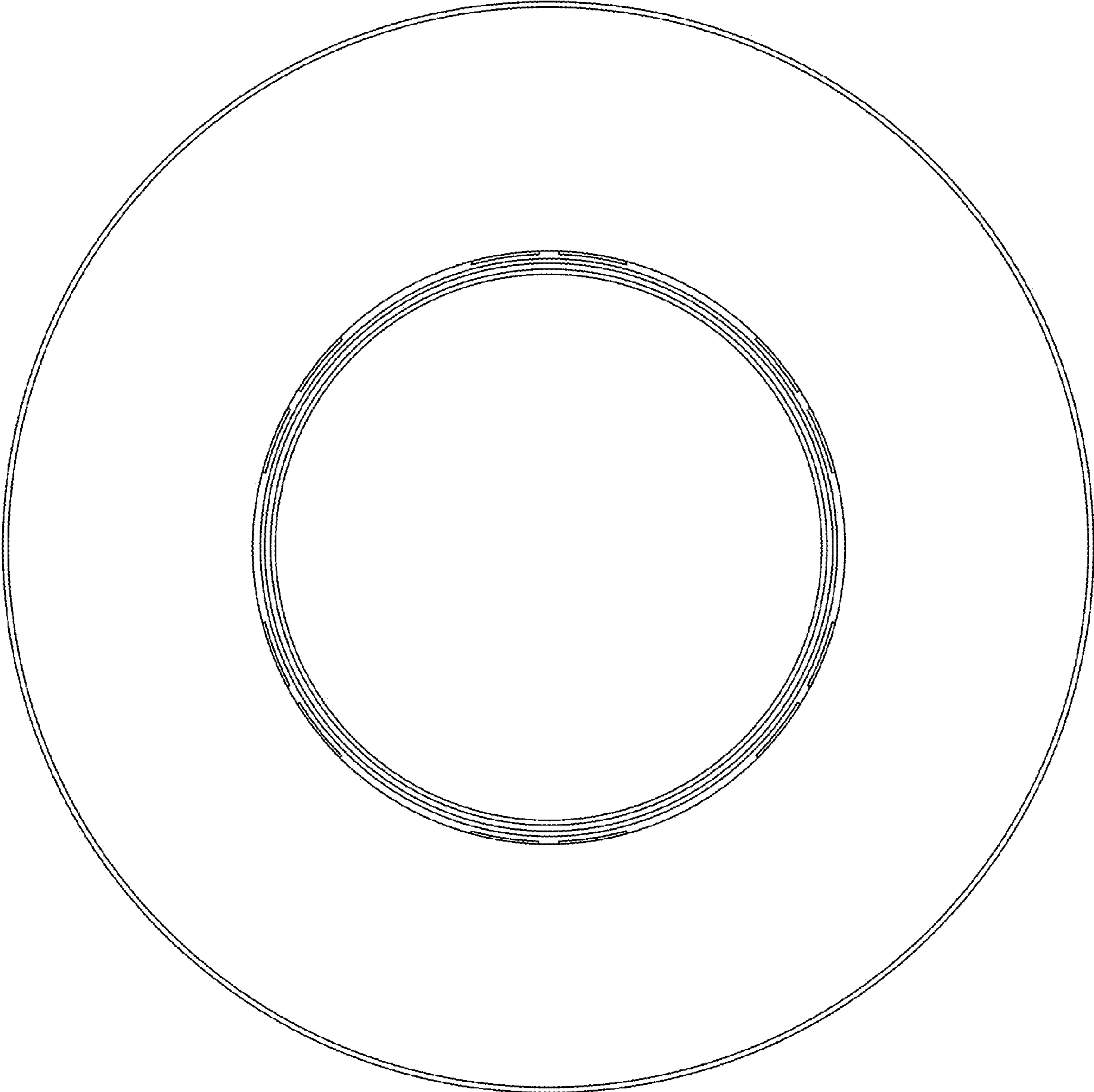


FIG. 6

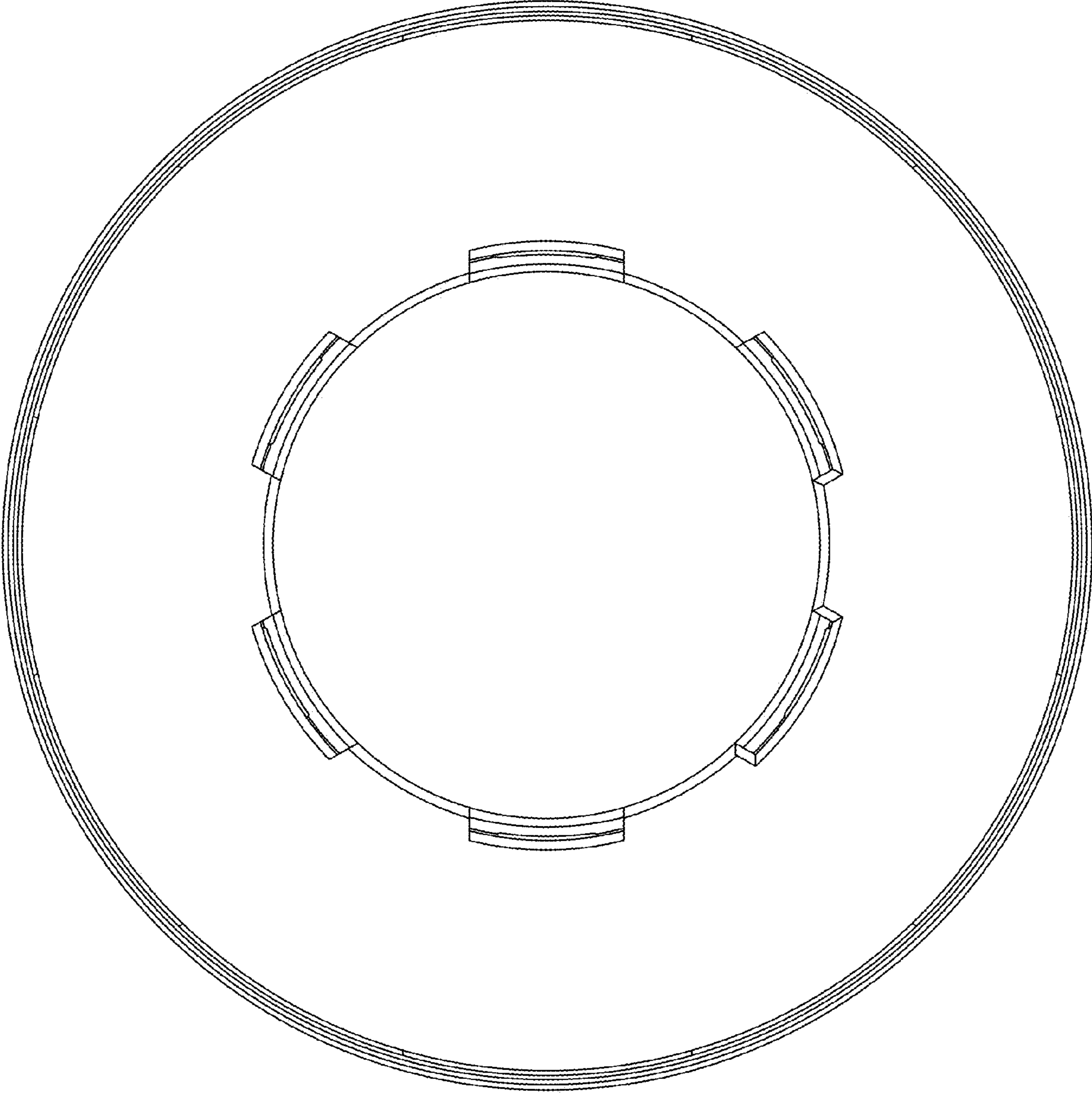


FIG. 7