



US00D936732S

(12) **United States Design Patent** (10) **Patent No.:** **US D936,732 S**
Jin et al. (45) **Date of Patent:** **** Nov. 23, 2021**

- (54) **APPLICATOR FOR WIPES** 7,255,254 B2 * 8/2007 Tan B26F 3/02
206/407
- (71) Applicant: **Kinnos Inc.**, Brooklyn, NY (US) 7,806,292 B2 * 10/2010 Simkins A47K 10/3818
221/63
- (72) Inventors: **Katherine Jin**, Brooklyn, NY (US);
Jason Kang, Brooklyn, NY (US);
Kevin Tyan, Brooklyn, NY (US);
Joseph W. Pruitt, Athens, GA (US);
Jeffrey P. Broadrick, Brooklyn, NY
(US); **Donald A. Muntner**, Hoschton,
GA (US); **Noah McNeely**, Grayson, GA
(US) 7,922,034 B2 * 4/2011 Neveu A47K 10/3818
221/45
D713,266 S * 9/2014 Laflin A47K 10/3818
D9/734
D719,023 S 12/2014 Hu et al.
D786,345 S 5/2017 Kumura et al.
D806,573 S 1/2018 Sobel
D816,157 S 4/2018 Ishizawa et al.
D834,413 S 11/2018 Tran
D850,495 S 6/2019 Dubiel et al.
D858,627 S 9/2019 Campanini
D859,154 S 9/2019 Skillin
D861,065 S 9/2019 Chih
D862,588 S 10/2019 Huang et al.
D869,550 S 12/2019 Yoshii et al.
D893,592 S 8/2020 Ishida
- (73) Assignee: **Kinnos Inc.**, Brooklyn, NY (US) 2010/0108706 A1 * 5/2010 Oman A47K 10/3818
221/45
- (**) Term: **15 Years**
- (21) Appl. No.: **29/768,030**
- (22) Filed: **Jan. 27, 2021**

* cited by examiner

Related U.S. Application Data

- (62) Division of application No. 29/680,685, filed on Feb. 19, 2019, now Pat. No. Des. 916,960.
- (51) **LOC (13) Cl.** **18-02**
- (52) **U.S. Cl.**
USPC **D18/56**; D9/434; D6/518
- (58) **Field of Classification Search**
USPC D9/434, 435, 447, 449, 518, 734;
D6/512, 515, 518, 519; D18/14, 15, 18,
D18/19, 40, 43, 50, 56; D19/66, 70, 71
CPC ... A47K 10/24; A47K 10/3818; B41J 2/1752;
B41K 1/40; B41K 1/48; B65D 83/08
See application file for complete search history.

Primary Examiner — Zenia I Bennett

(74) *Attorney, Agent, or Firm* — Elmore Patent Law Group, P.C.; Joseph C. Zuccherro; Carolyn S. Elmore

(57) **CLAIM**

The ornamental design for an applicator for wipes, as shown and described.

DESCRIPTION

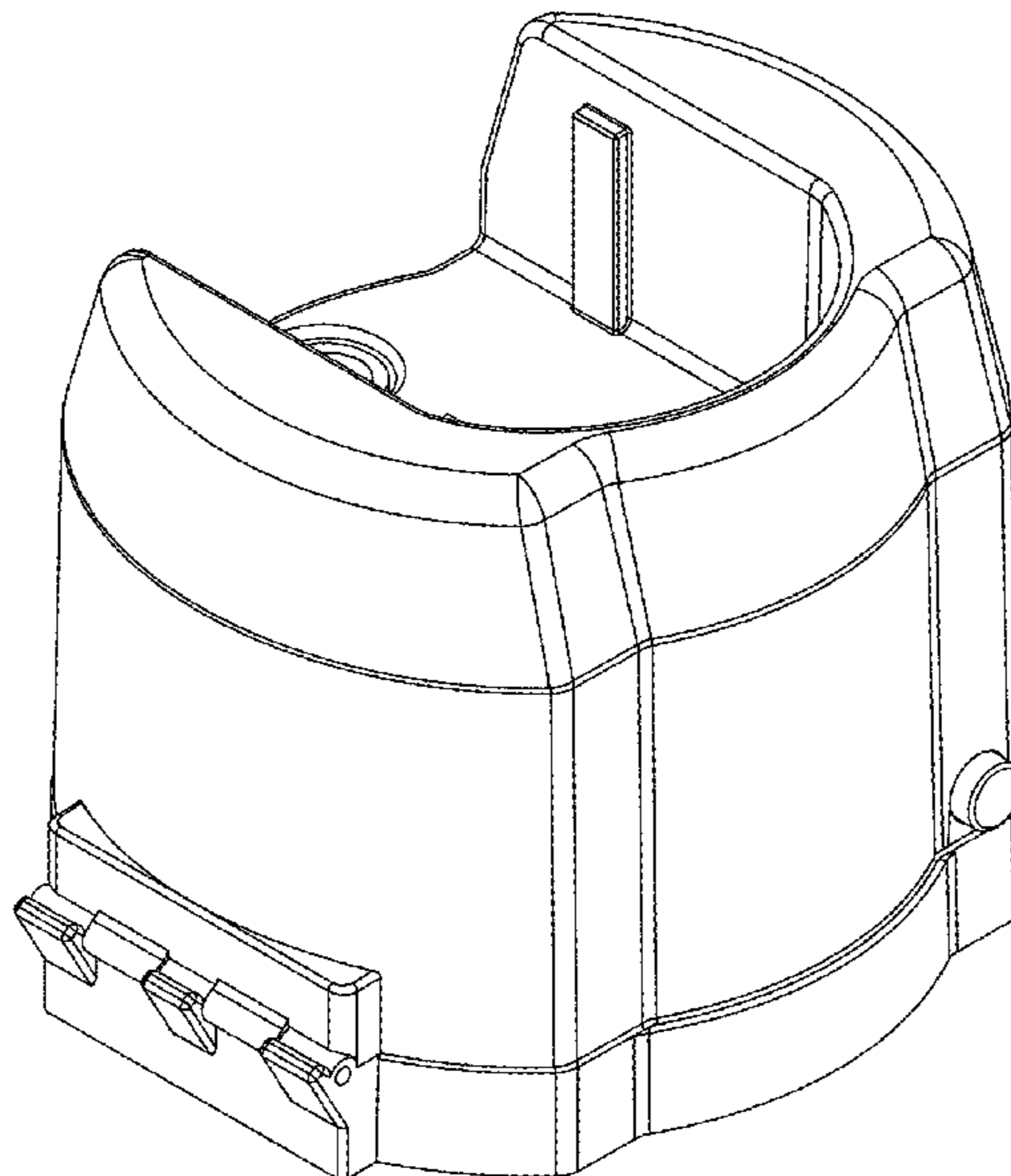
FIG. 1 is a top, rear, and left side perspective view of a base of an applicator for wipes showing my new design; FIG. 2 is a rear view thereof; FIG. 3 is a front view thereof; FIG. 4 is a right side view thereof; FIG. 5 is a left side view thereof; FIG. 6 is a top view thereof; and, FIG. 7 is a bottom view thereof.

(56) **References Cited**

U.S. PATENT DOCUMENTS

- D482,390 S 11/2003 Ueno et al.
- D485,859 S 1/2004 Ueno et al.

1 Claim, 7 Drawing Sheets



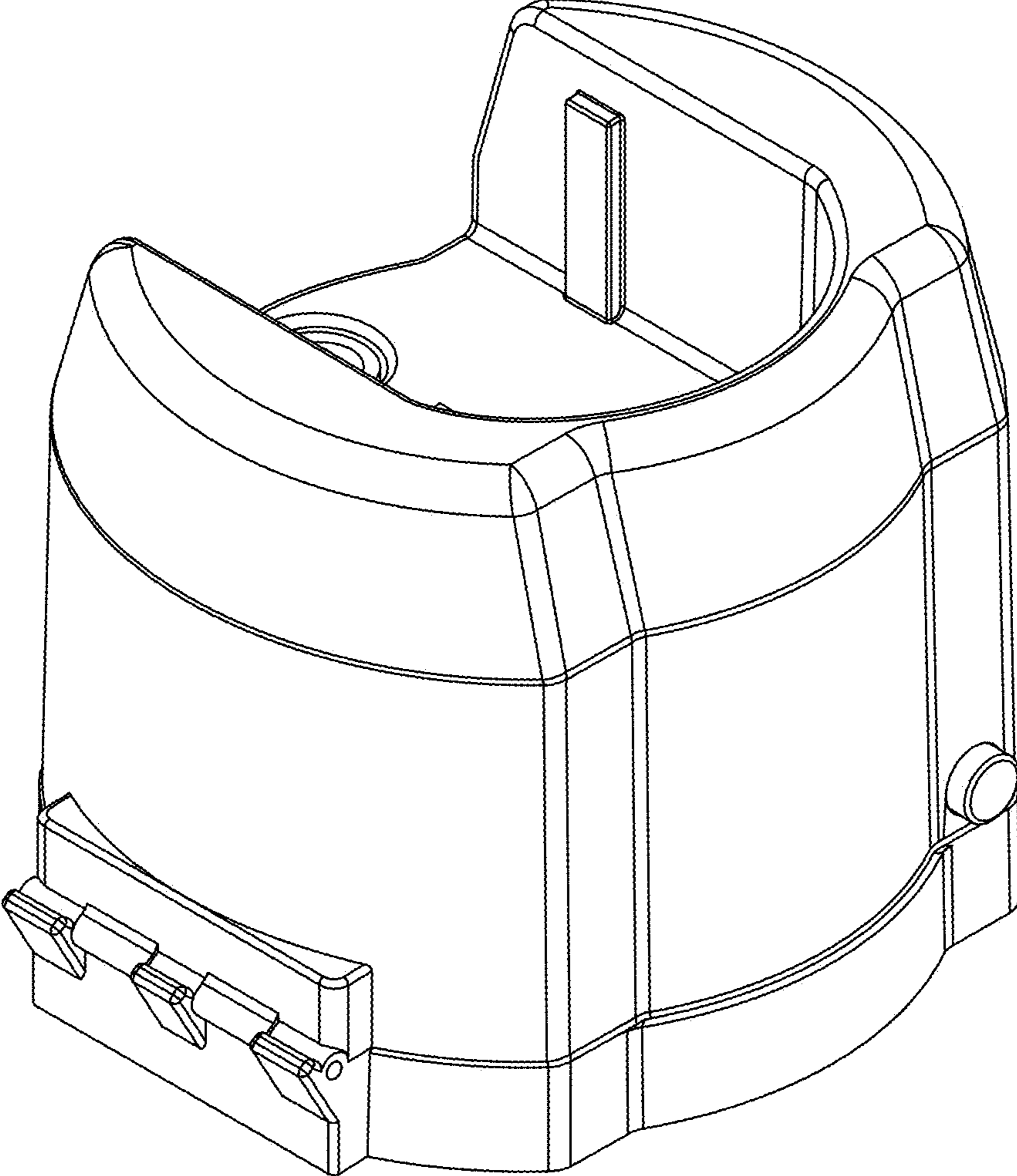


FIG. 1

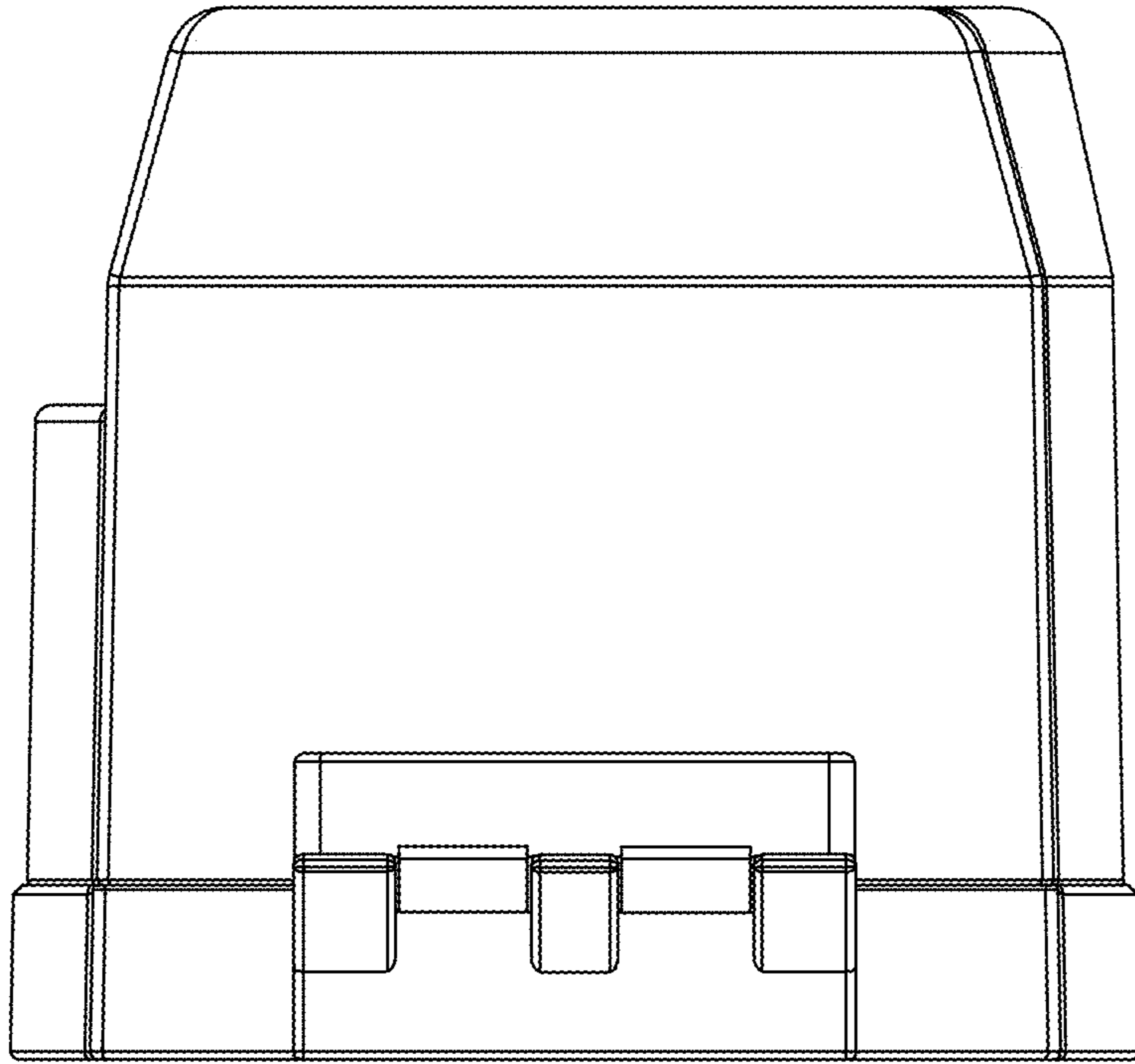


FIG. 2

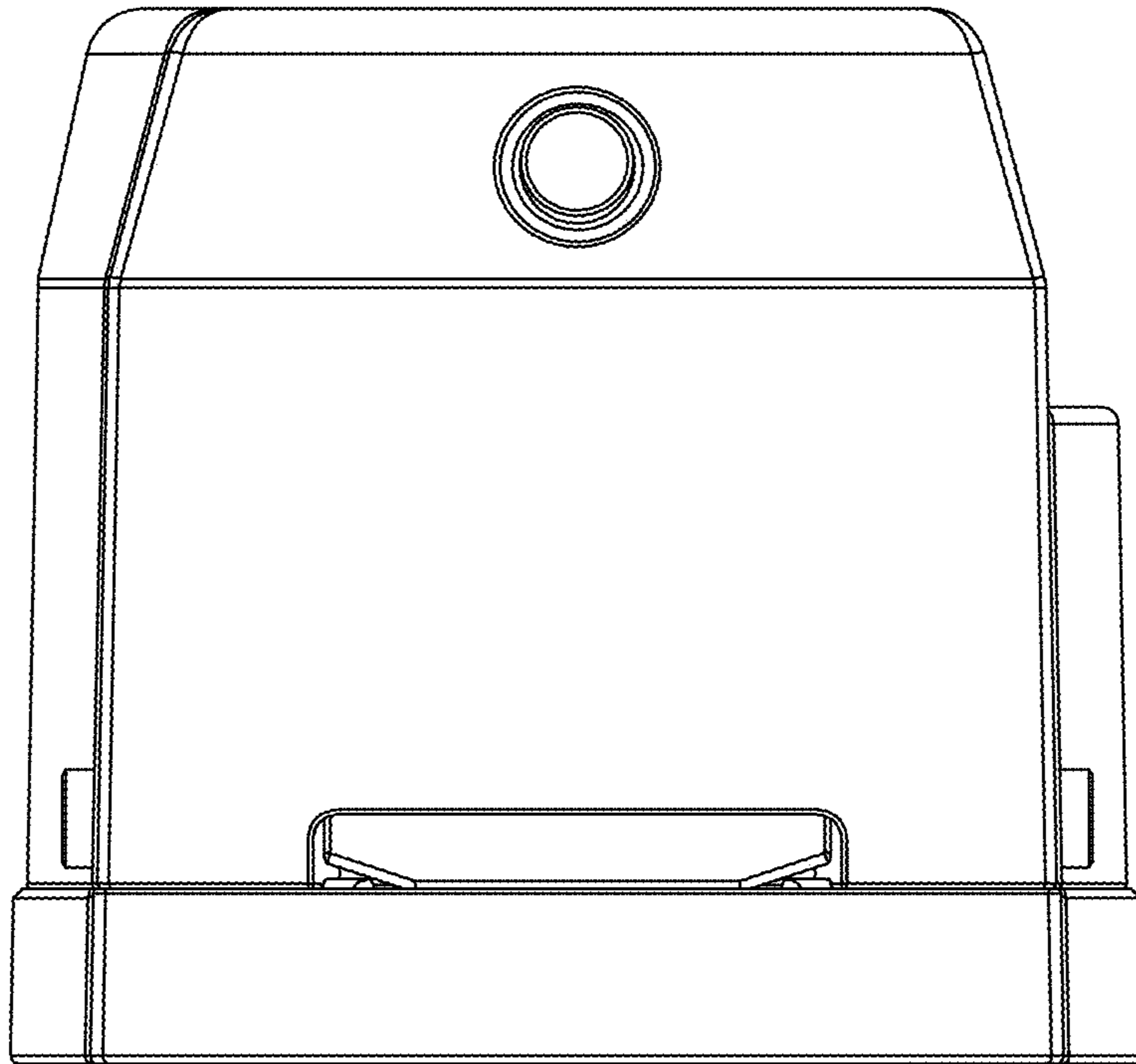


FIG. 3

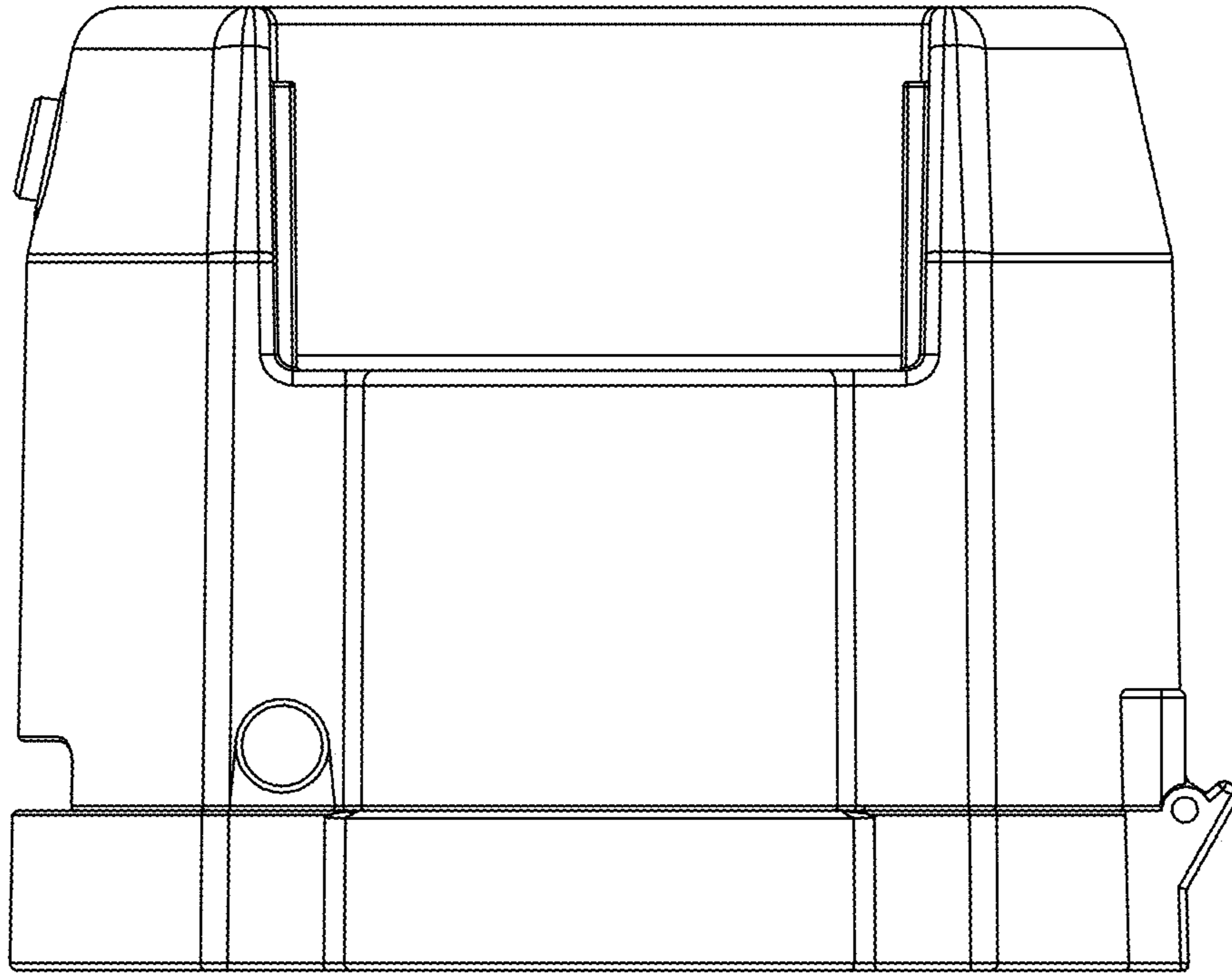


FIG. 4

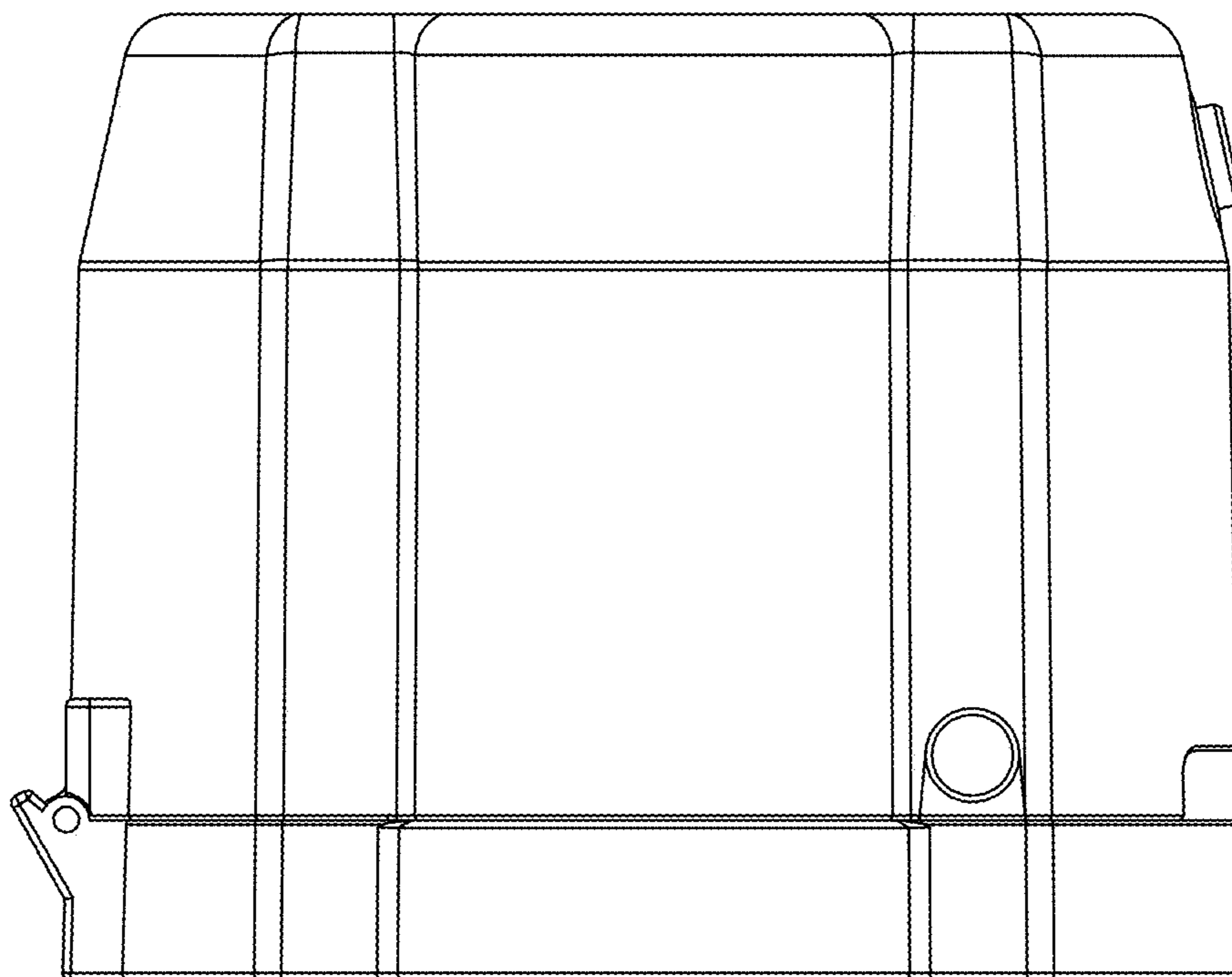


FIG. 5

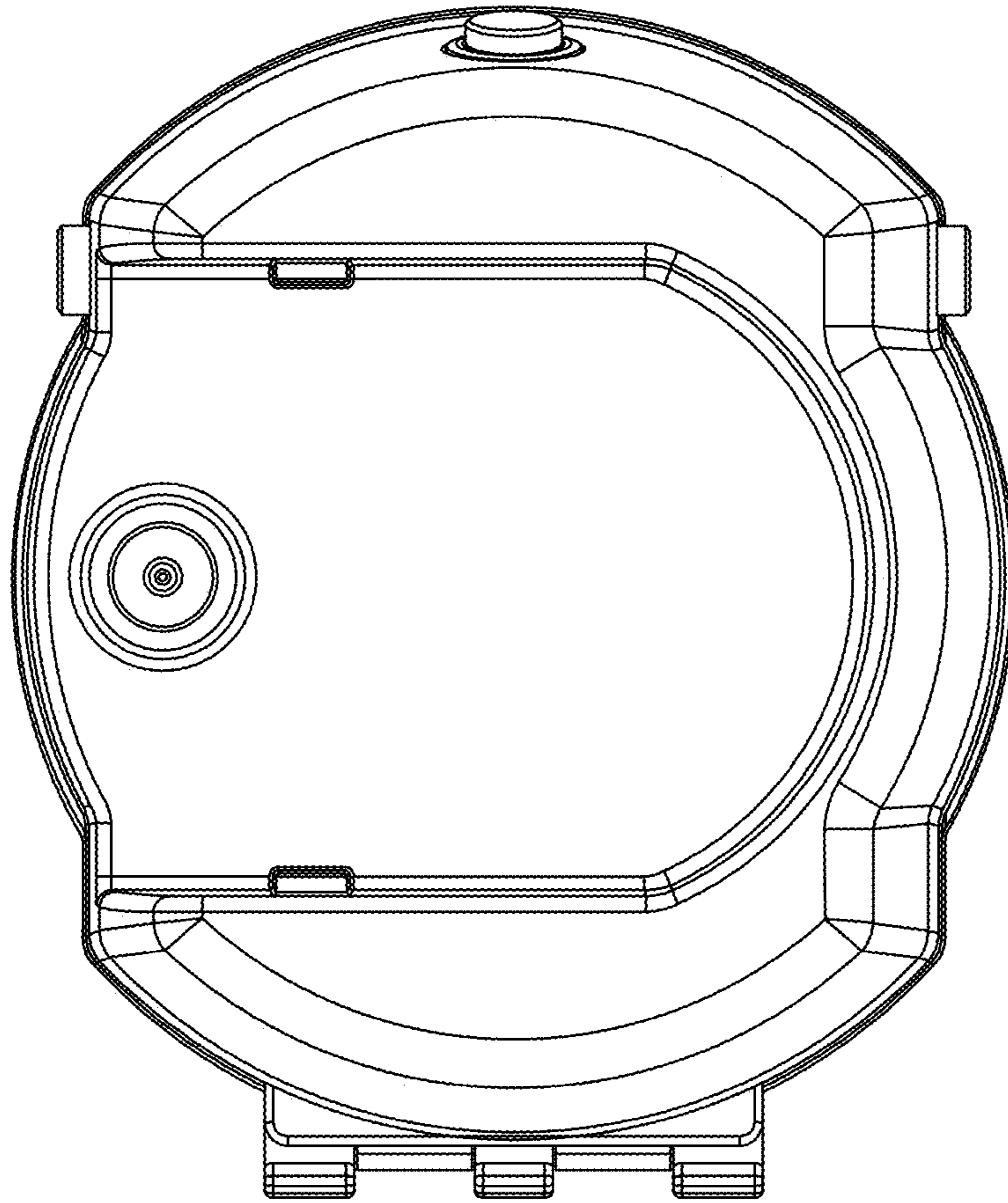


FIG. 6

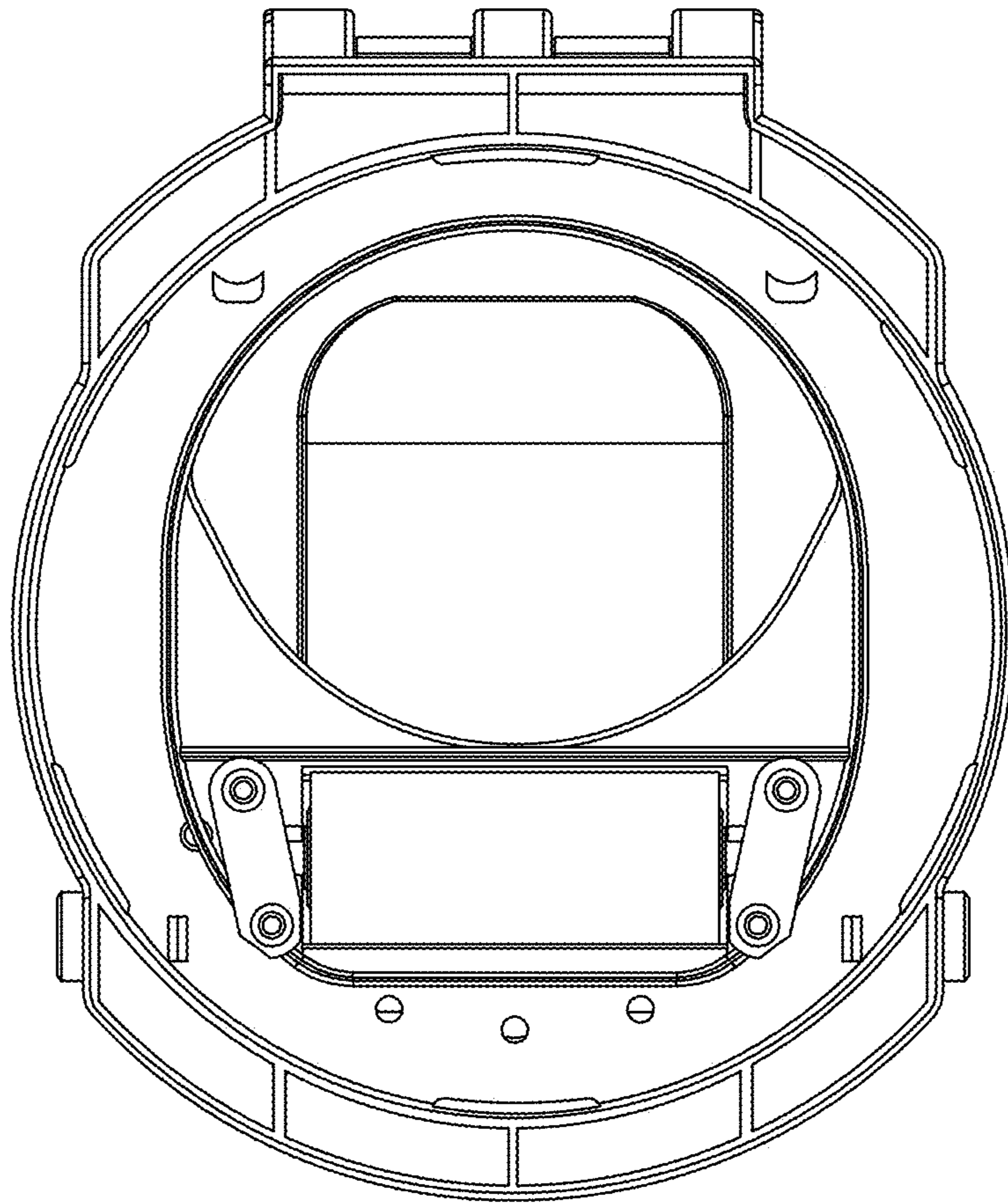


FIG. 7