



US00D936731S

(12) **United States Design Patent**
Jin et al.

(10) **Patent No.:** **US D936,731 S**

(45) **Date of Patent:** **** Nov. 23, 2021**

- (54) **APPLICATOR FOR WIPES**
- (71) Applicant: **Kinnos Inc.**, Brooklyn, NY (US)
- (72) Inventors: **Katherine Jin**, Brooklyn, NY (US);
Jason Kang, Brooklyn, NY (US);
Kevin Tyan, Brooklyn, NY (US);
Joseph W. Pruitt, Athens, GA (US);
Jeffrey P. Broadrick, Brooklyn, NY
(US); **Donald A. Muntner**, Hoschton,
GA (US); **Noah McNeely**, Grayson, GA
(US)
- (73) Assignee: **Kinnos Inc.**, Brooklyn, NY (US)
- (**) Term: **15 Years**
- (21) Appl. No.: **29/768,013**
- (22) Filed: **Jan. 27, 2021**

7,255,254 B2 *	8/2007	Tan	B26F 3/02
				206/407
7,806,292 B2 *	10/2010	Simkins	A47K 10/3818
				221/63
7,922,034 B2 *	4/2011	Neveu	A47K 10/3818
				221/45
D713,266 S *	9/2014	Laflin	A47K 10/3818
				D9/734
D719,023 S	12/2014	Hu et al.		
D786,345 S	5/2017	Kumura et al.		
D806,573 S	1/2018	Sobel		
D816,157 S	4/2018	Ishizawa et al.		
D834,413 S	11/2018	Tran		
D850,495 S	6/2019	Dubiel et al.		
D858,627 S	9/2019	Campanini		
D859,154 S	9/2019	Skillin		
D861,065 S	9/2019	Chih		
D862,588 S	10/2019	Huang et al.		
D869,550 S	12/2019	Yoshii et al.		
D893,592 S	8/2020	Ishida		
2010/0108706 A1 *	5/2010	Oman	A47K 10/3818
				221/45

* cited by examiner

Related U.S. Application Data

- (62) Division of application No. 29/680,685, filed on Feb. 19, 2019, now Pat. No. Des. 916,960.
- (51) **LOC (13) Cl.** **18-02**
- (52) **U.S. Cl.**
USPC **D18/56**; D9/434; D6/518
- (58) **Field of Classification Search**
USPC D9/434, 435, 447, 449, 518, 734;
D6/512, 515, 518, 519; D18/14, 15, 18,
D18/19, 40, 43, 50, 56; D19/66, 70, 71
CPC ... A47K 10/24; A47K 10/3818; B41J 2/1752;
B41K 1/40; B41K 1/48; B65D 83/08
See application file for complete search history.

(56) **References Cited**

U.S. PATENT DOCUMENTS

- D482,390 S 11/2003 Ueno et al.
- D485,859 S 1/2004 Ueno et al.

Primary Examiner — Zenia I Bennett

(74) *Attorney, Agent, or Firm* — Elmore Patent Law Group, P.C.; Joseph C. Zucchero; Carolyn S. Elmore

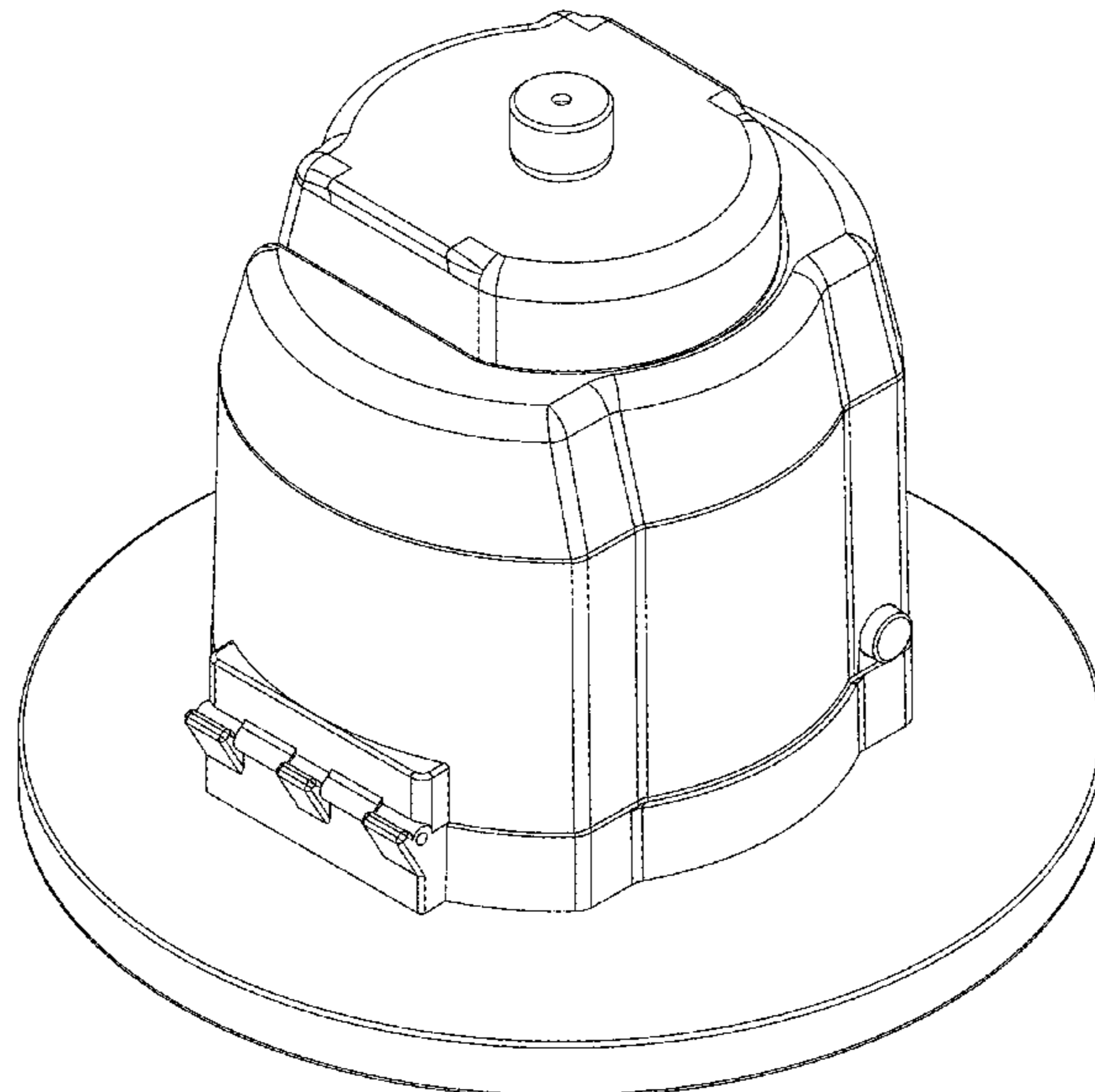
(57) **CLAIM**

The ornamental design for an applicator for wipes, as shown and described.

DESCRIPTION

FIG. 1 is a top, rear, and left side perspective view of an applicator for wipes showing my new design;
FIG. 2 is a rear view thereof;
FIG. 3 is a front view thereof;
FIG. 4 is a right side view thereof;
FIG. 5 is a left side view thereof;
FIG. 6 is a top view thereof; and,
FIG. 7 is a bottom view thereof.

1 Claim, 7 Drawing Sheets



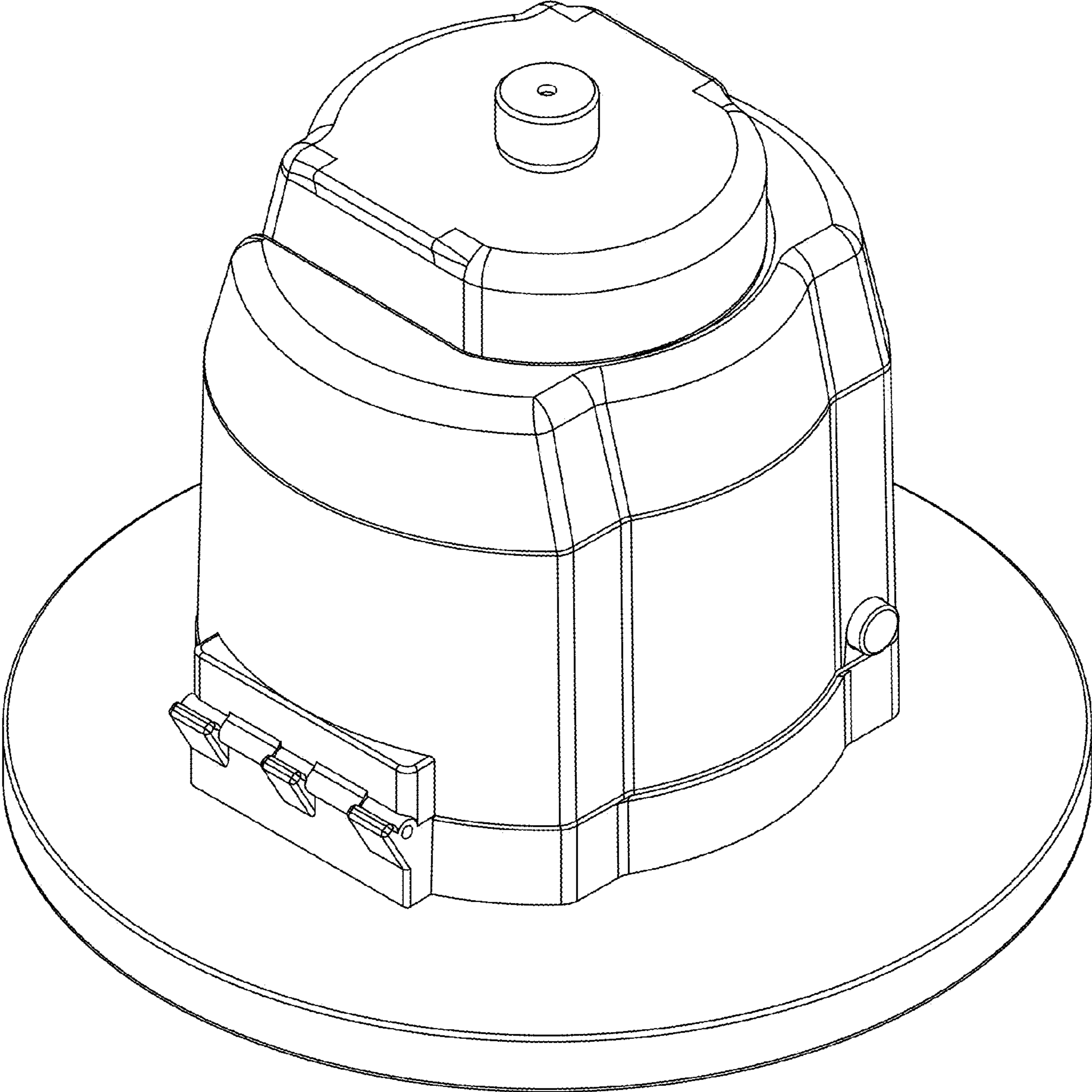


FIG. 1

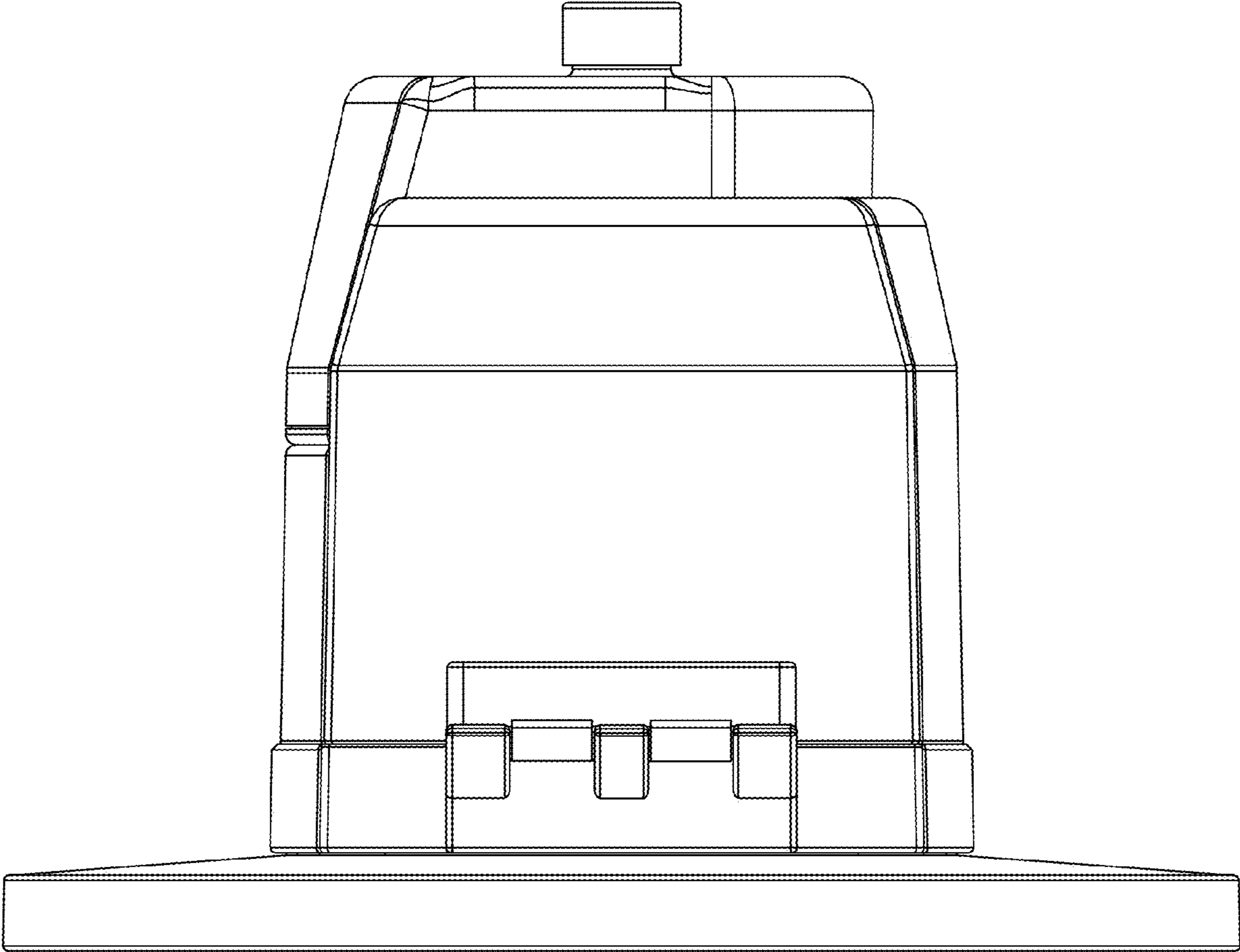


FIG. 2

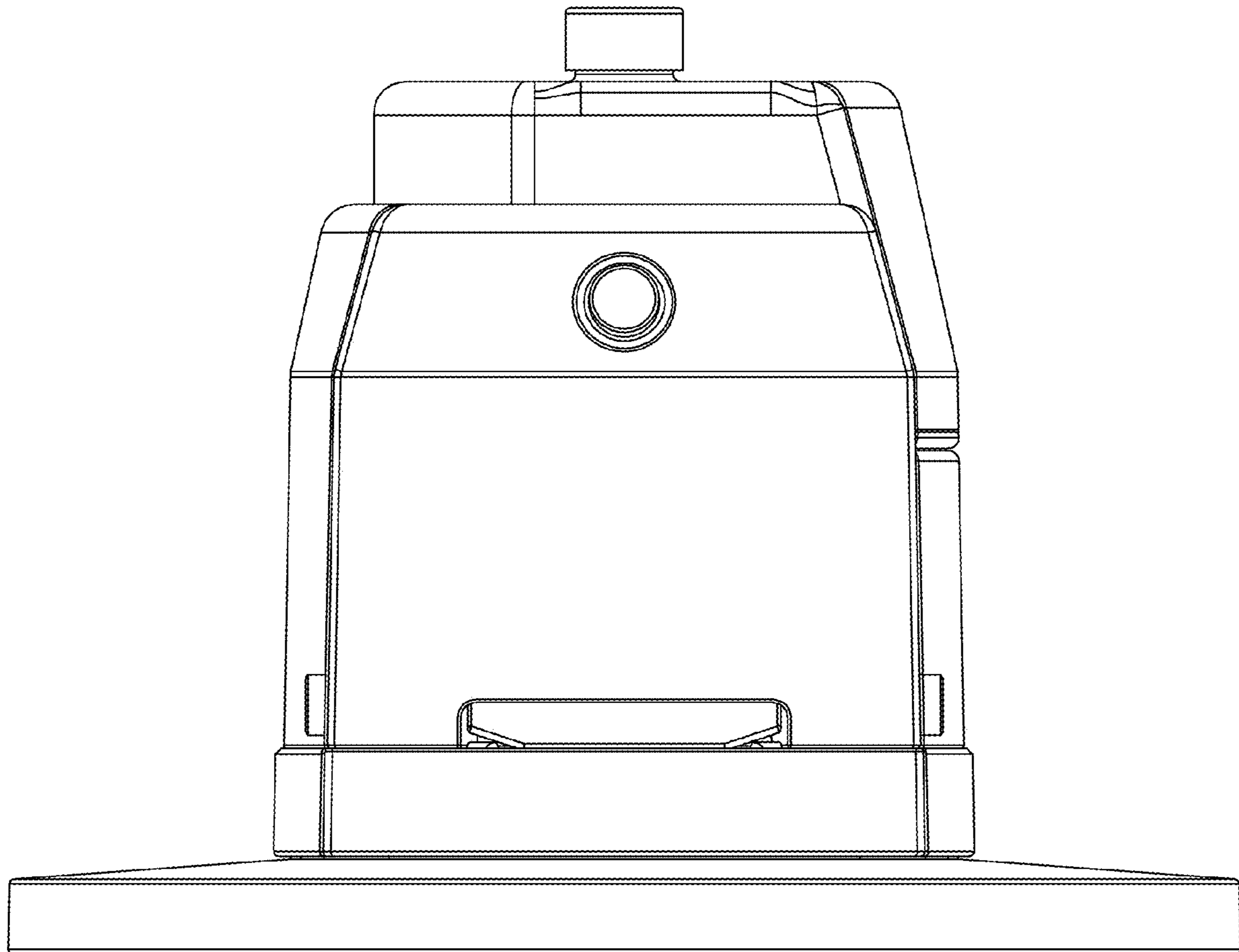


FIG. 3

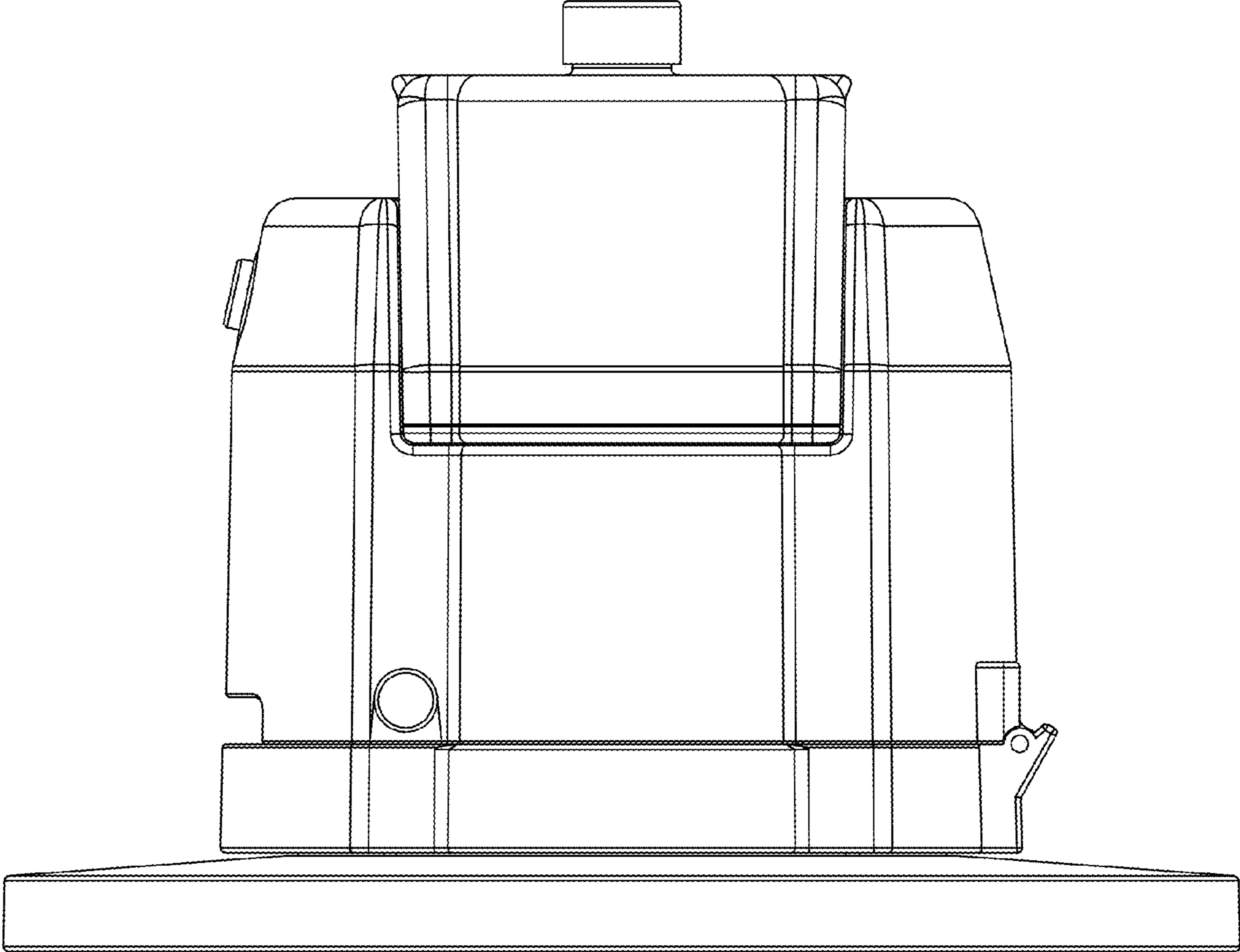


FIG. 4

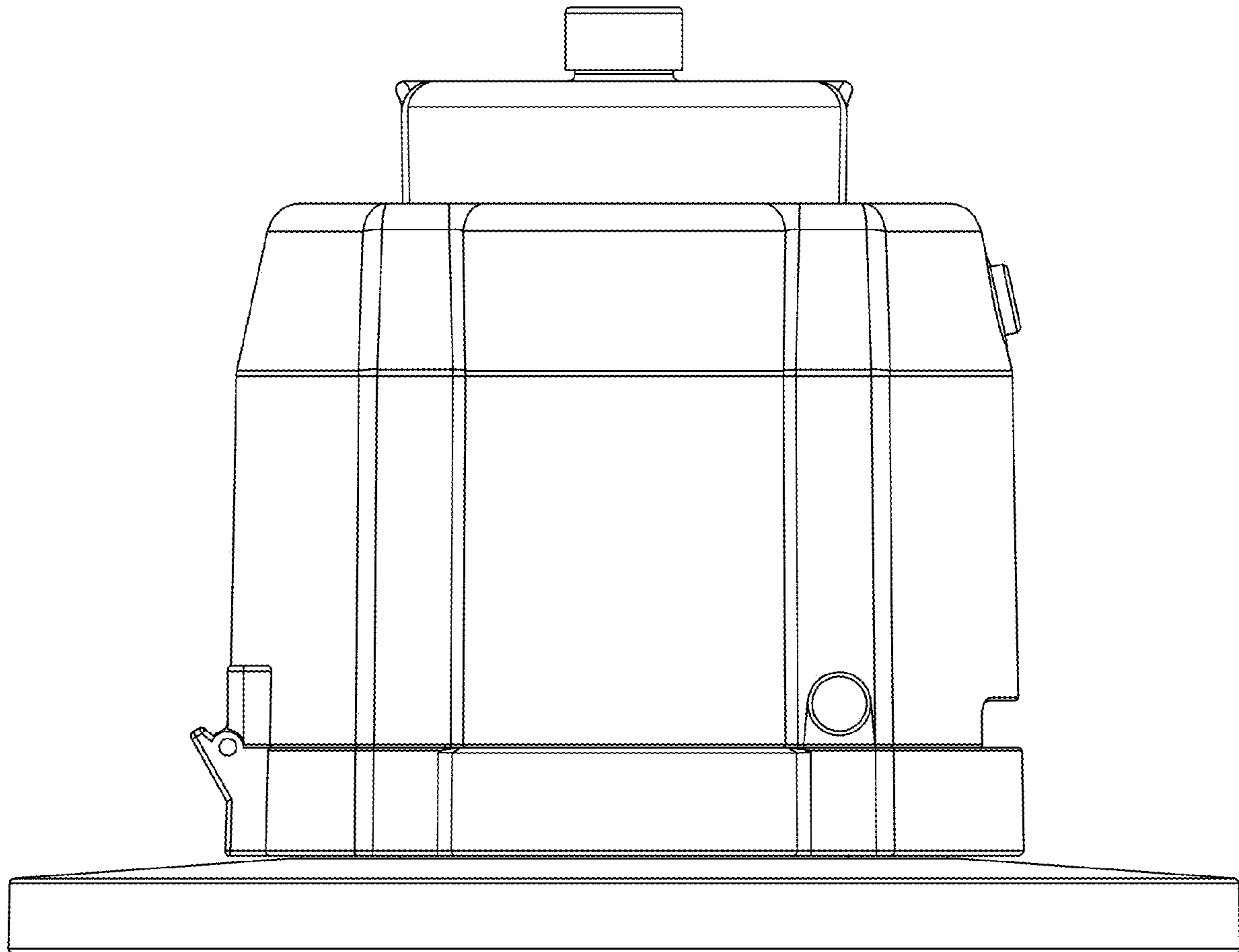


FIG. 5

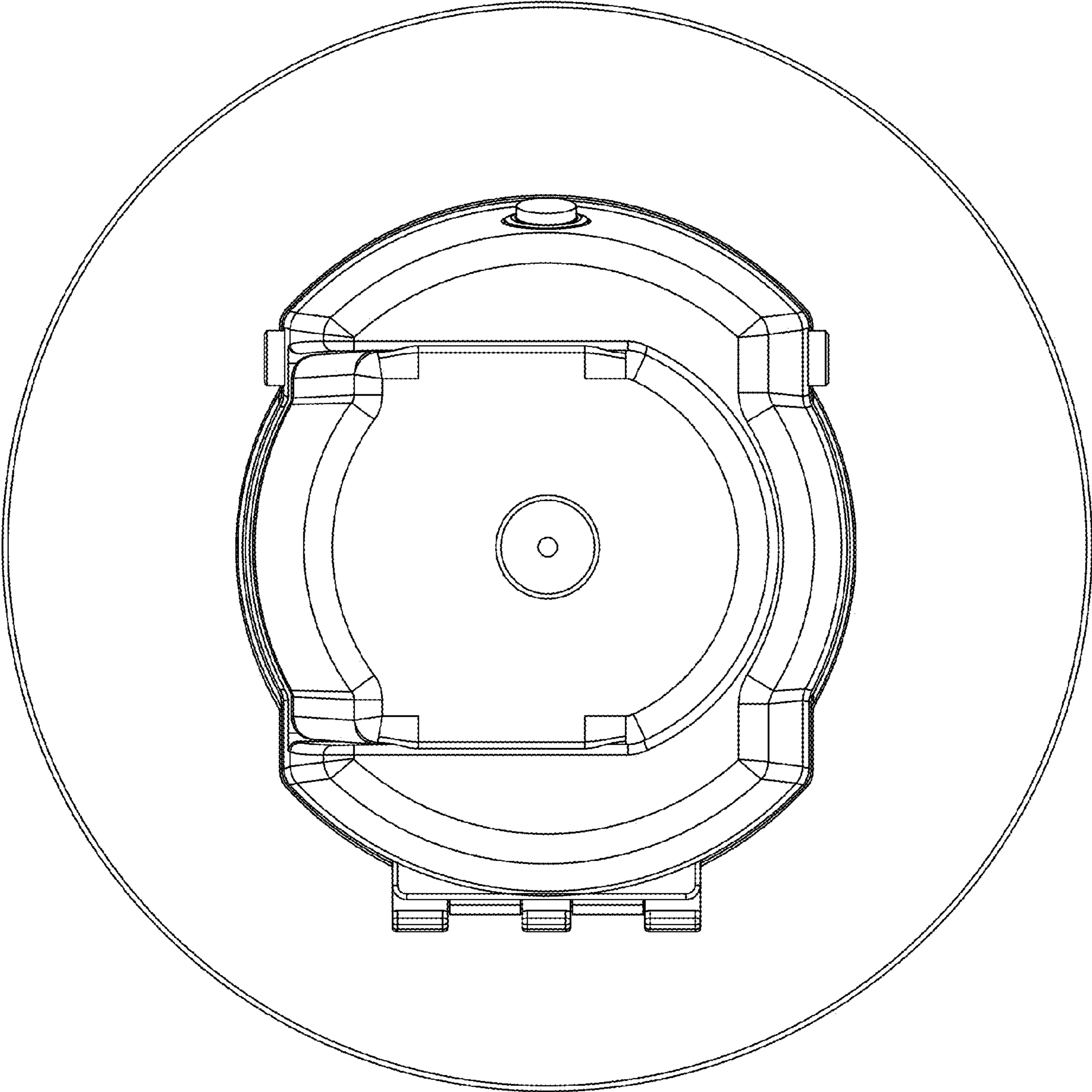


FIG. 6

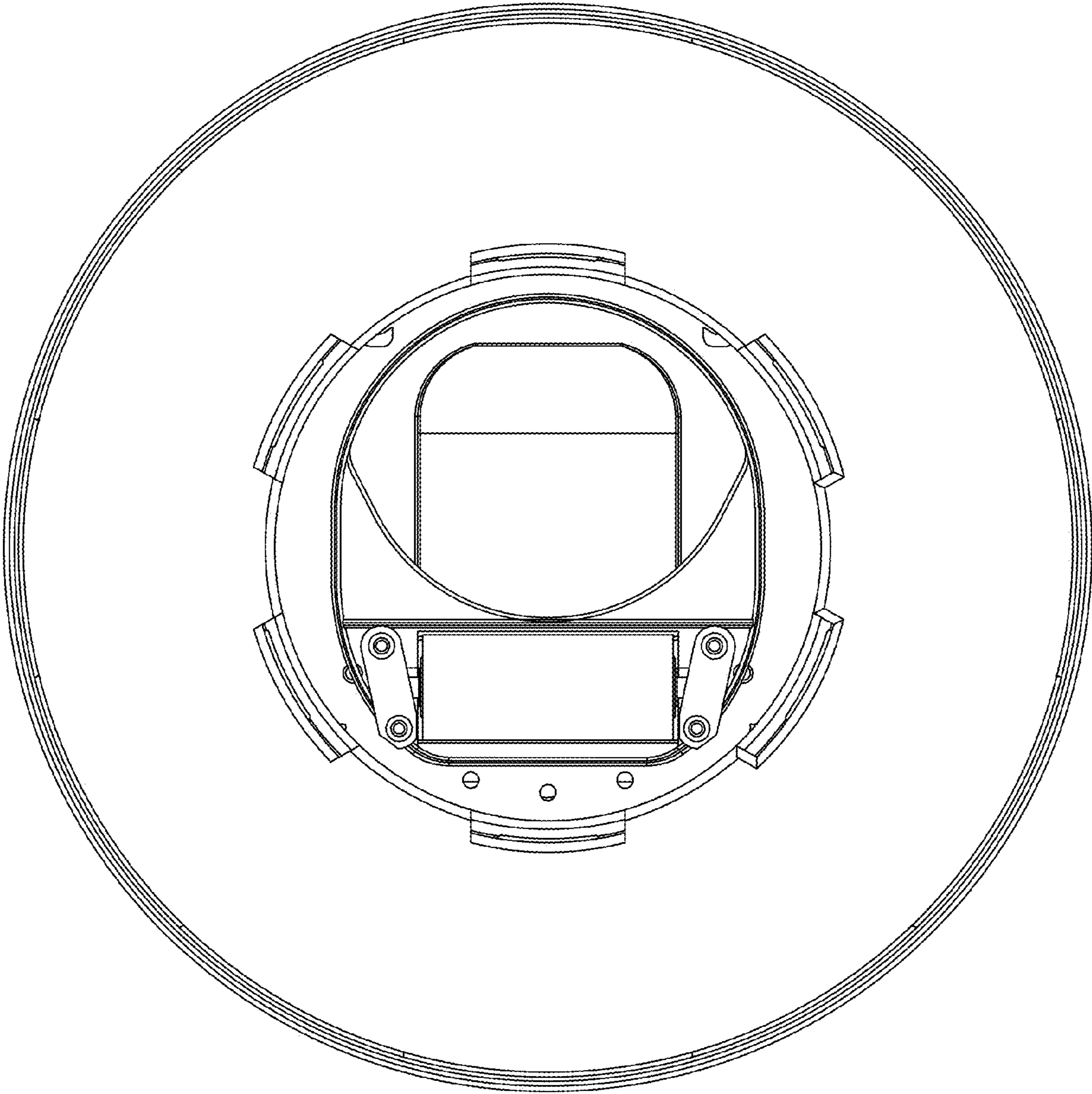


FIG. 7