



US00D936730S

(12) **United States Design Patent** (10) **Patent No.:** **US D936,730 S**
Liu (45) **Date of Patent:** **** Nov. 23, 2021**

(54) **PORTABLE LABEL PRINTER**

FOREIGN PATENT DOCUMENTS

(71) Applicant: **Wuhan Jingchen Intelligent Identification Technology Co., LTD,**
Wuhan (CN)

CN 305297676 * 8/2019
CN 305603721 * 2/2020

(Continued)

(72) Inventor: **Xiong Liu,** Wuhan (CN)

OTHER PUBLICATIONS

(73) Assignee: **Wuhan Jingchen Intelligent Identification Technology Co., LTD,**
Wuhan (CN)

Amazon. Link: https://www.amazon.com/dp/B083BK9CXG/ref=cm_sw_em_r_mt_dp_04MGT31C0YJK202E9WKG?_encoding=UTF8&psc=1. Dec. 31, 2019. Aibecy Label Maker Machine. (Year: 2019).*

(**) Term: **15 Years**

(Continued)

(21) Appl. No.: **29/737,074**

Primary Examiner — Lauren D McVey

(22) Filed: **Jun. 5, 2020**

(74) *Attorney, Agent, or Firm* — Bayramoglu Law Offices LLC

(51) **LOC (13) Cl.** **D18-02**

(52) **U.S. Cl.**

USPC **D18/50;** D18/14

(58) **Field of Classification Search**

USPC D18/12, 14, 15, 16, 17, 18, 19, 36, 37,
D18/38, 39, 40, 41, 45, 54, 55, 50, 53,
D18/43, 56; D19/65, 66, 67, 68, 69, 70,
D19/71; D14/301, 307, 121

CPC H04N 1/00204; H04N 1/00249; H04N
1/00278; G06K 15/12; G06K 15/14; B41J
3/00; B41J 3/28; B41J 3/445; B41J 3/46;
B41J 11/0045; B41J 2/3358; B41J 3/36;
B41J 3/382

See application file for complete search history.

(57) **CLAIM**

The ornamental design for a portable label printer, as shown and described.

DESCRIPTION

FIG. 1 is a front, right and top perspective view of a portable label printer showing my new design;
FIG. 2 is a front view thereof;
FIG. 3 is a rear view thereof;
FIG. 4 is a left side view thereof;
FIG. 5 is a right side view thereof;
FIG. 6 is a top view thereof;
FIG. 7 is a bottom view thereof;
FIG. 8 is a rear, left and bottom perspective view thereof;
and,
FIG. 9 is a rear, left and top perspective view thereof.
The broken lines immediately adjacent to the claim depict the bounds of the claimed design, while all other broken lines are directed to environment. The broken lines form no part of the claimed design.

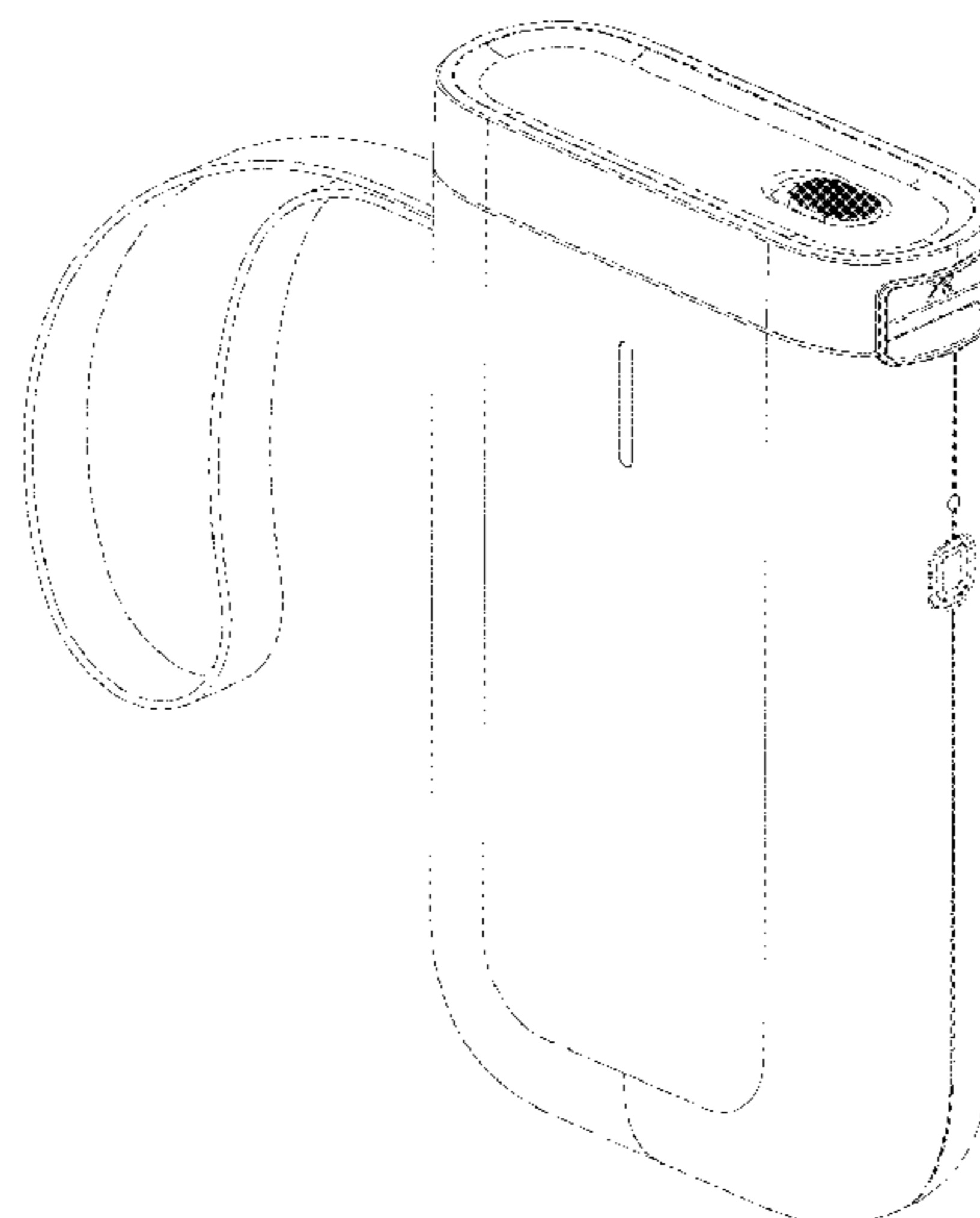
(56) **References Cited**

U.S. PATENT DOCUMENTS

D307,157 S * 4/1990 Sakaguchi D18/54
D491,218 S * 6/2004 Masamitsu D18/50
D526,348 S * 8/2006 Tanaka D18/14
D533,216 S * 12/2006 Sato D18/50
D538,839 S * 3/2007 Moskaluk 16/208
D740,358 S * 10/2015 Kang D18/50
D747,764 S * 1/2016 Isozaki D18/50
D799,590 S * 10/2017 Dwyer D18/50
D800,210 S * 10/2017 Kamei D18/14

(Continued)

1 Claim, 9 Drawing Sheets



(56)

References Cited

U.S. PATENT DOCUMENTS

D800,211 S * 10/2017 Kamei D18/14
D820,353 S * 6/2018 Choi D18/50
D860,154 S * 9/2019 Hu D14/155
D876,536 S * 2/2020 Shirley D18/50

FOREIGN PATENT DOCUMENTS

CN 305888169 * 6/2020
CN 306150267 * 11/2020
CN 306392122 * 3/2021

OTHER PUBLICATIONS

Walmart. Link: <https://www.walmart.com/ip/For-Fujifilm-Instax-SP-3-Mobile-Printer-Case-Fintie-Hard-EVA-Shockproof-Cover-w-Inner-Pocket-Removable-Strap-Black/777975734>. visited May 17, 2021. Fintie Hard EVA Shockproof Cover w/ Inner Pocket Removable Strap Black (For Fujifilm Instax SP-3 Mobile Printer). (Year: 2021).*

Amazon. Link: https://www.amazon.com/dp/B07GFP7H8C/ref=cm_sw_em_r_mt_dp_A83N8RT8YJH59Z3BET64?_encoding=UTF8&ppsc=1. Sep. 13, 2018. HP Sprocket Portable 2x3" Instant Photo Printer (Luna Pearl) Print Pictures on Zink Sticky-Backed Paper From Your iOS & Android Device. (Year: 2018).*

* cited by examiner

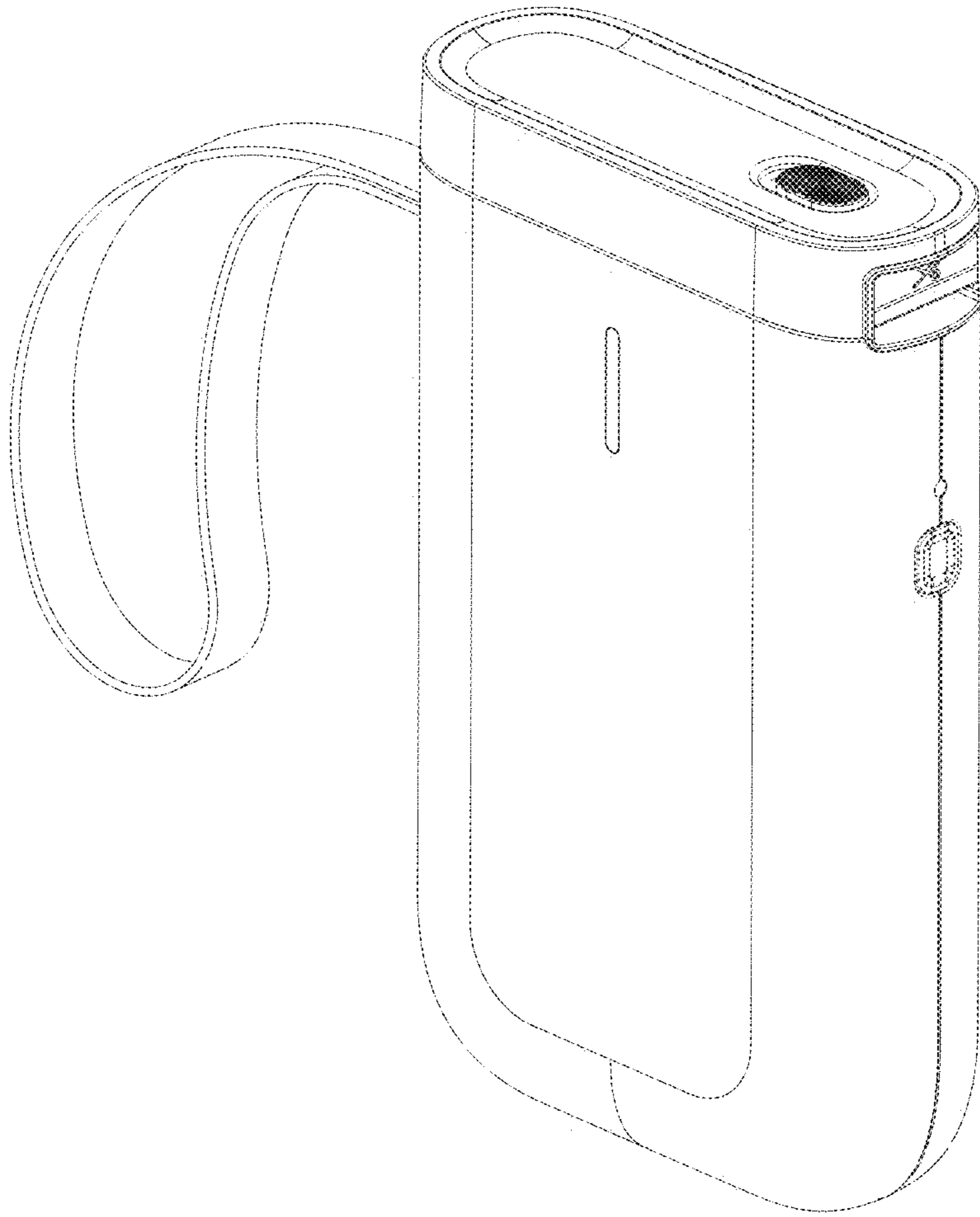


FIG. 1

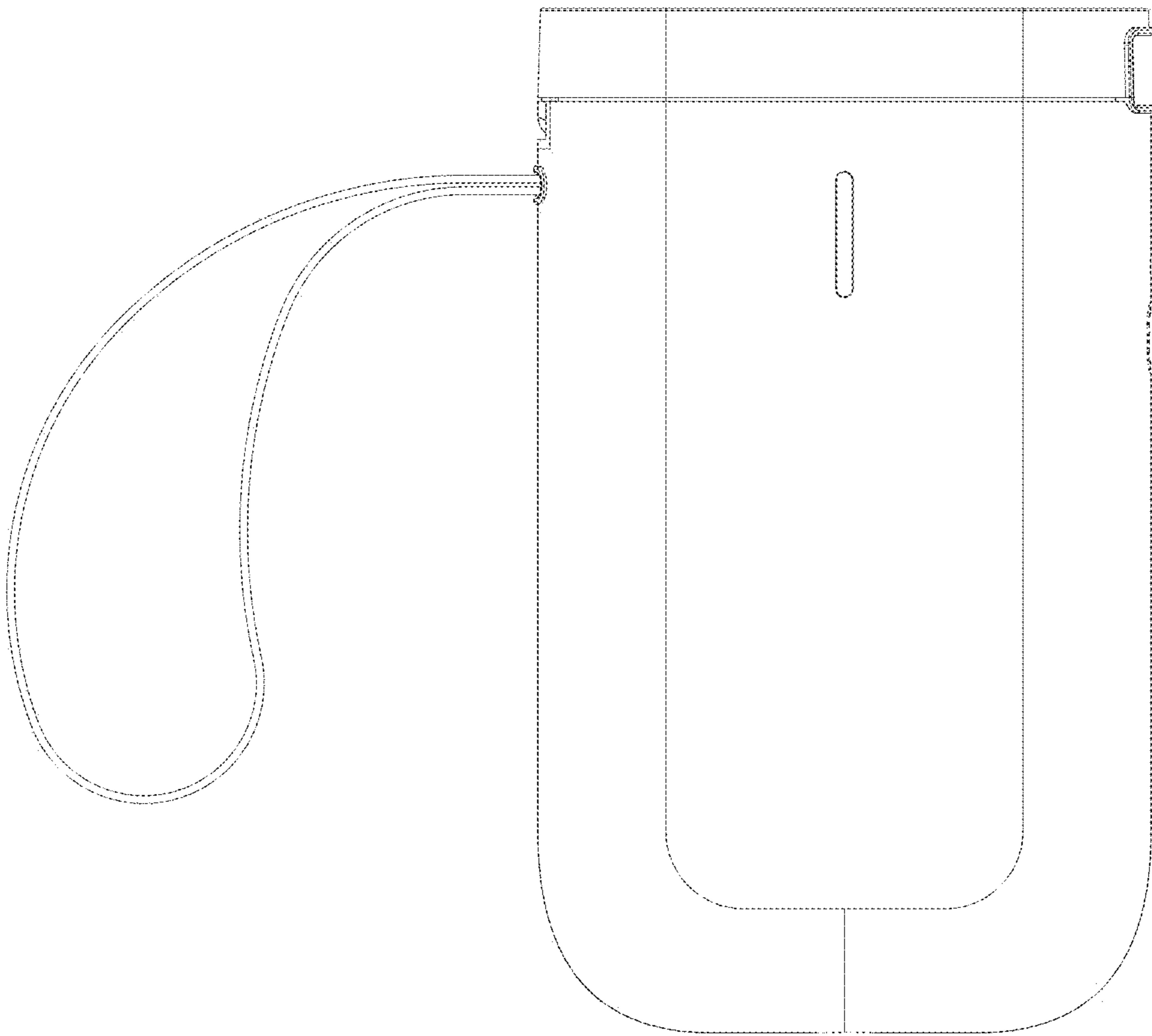


FIG. 2

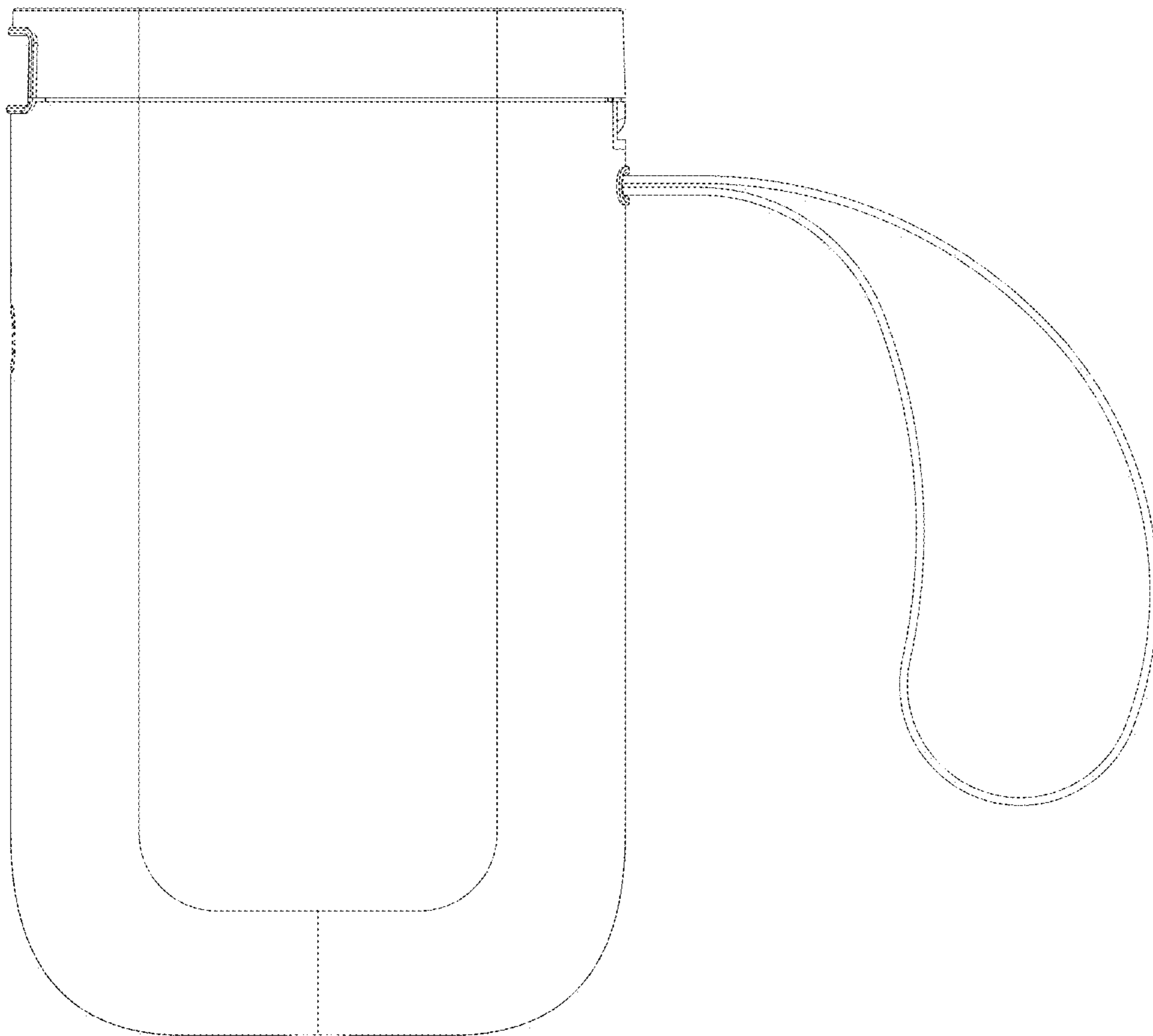


FIG. 3

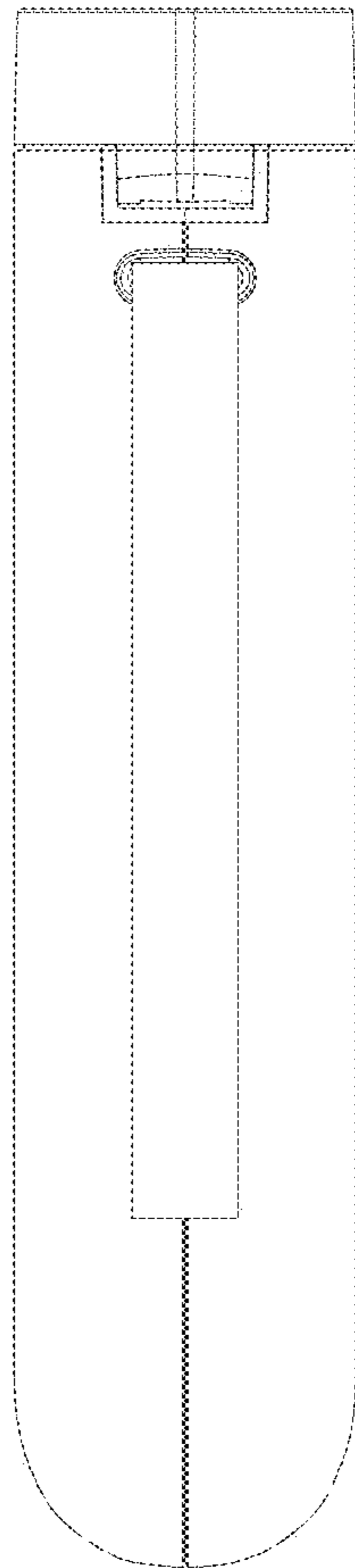


FIG. 4

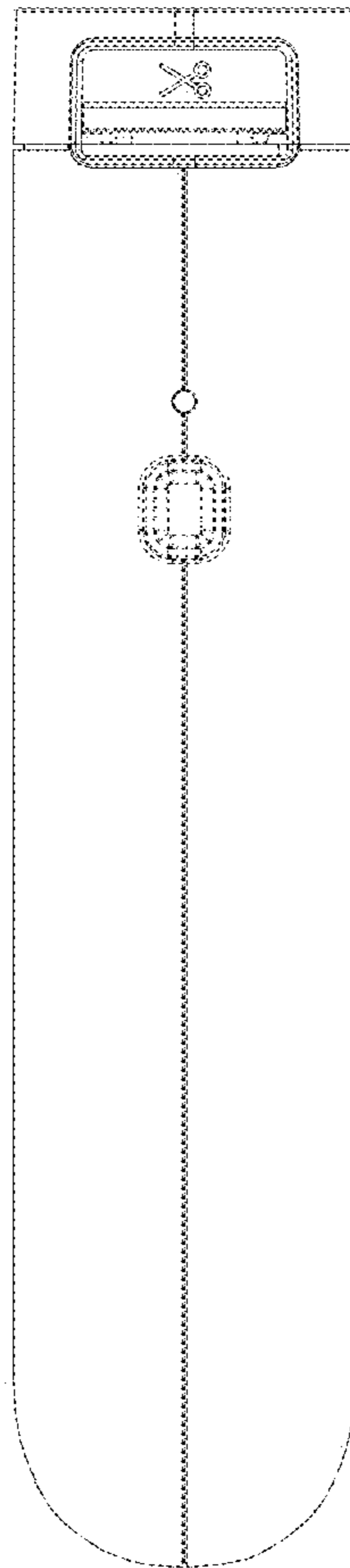


FIG. 5

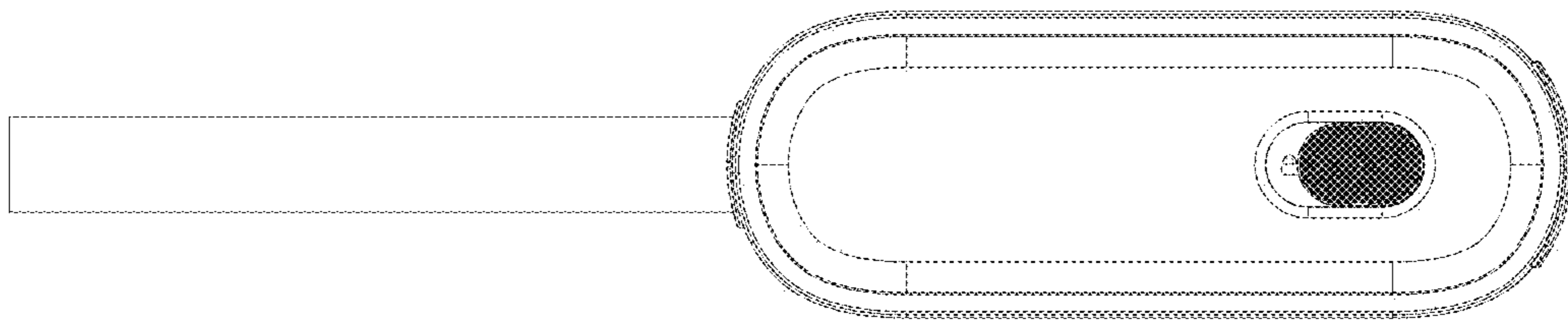


FIG. 6

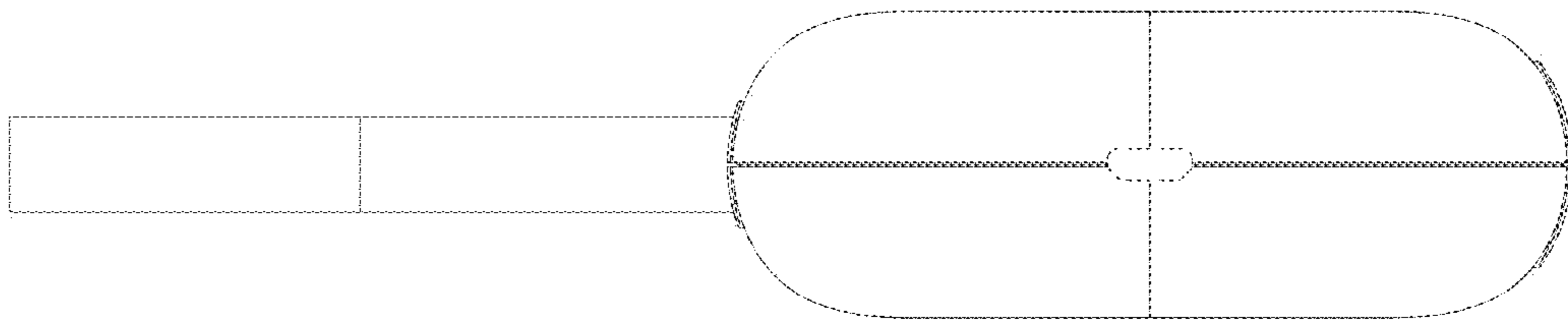


FIG. 7

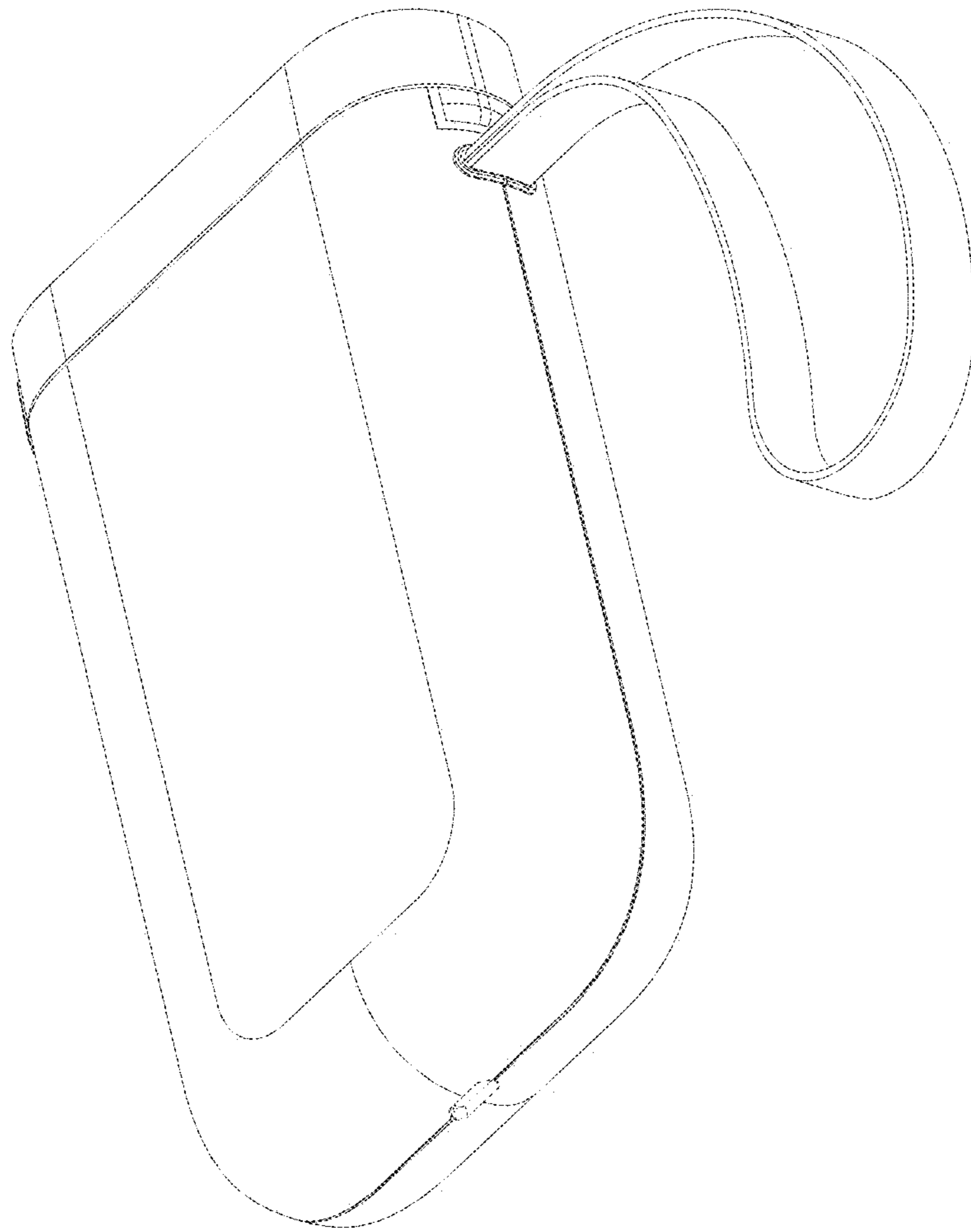


FIG. 8

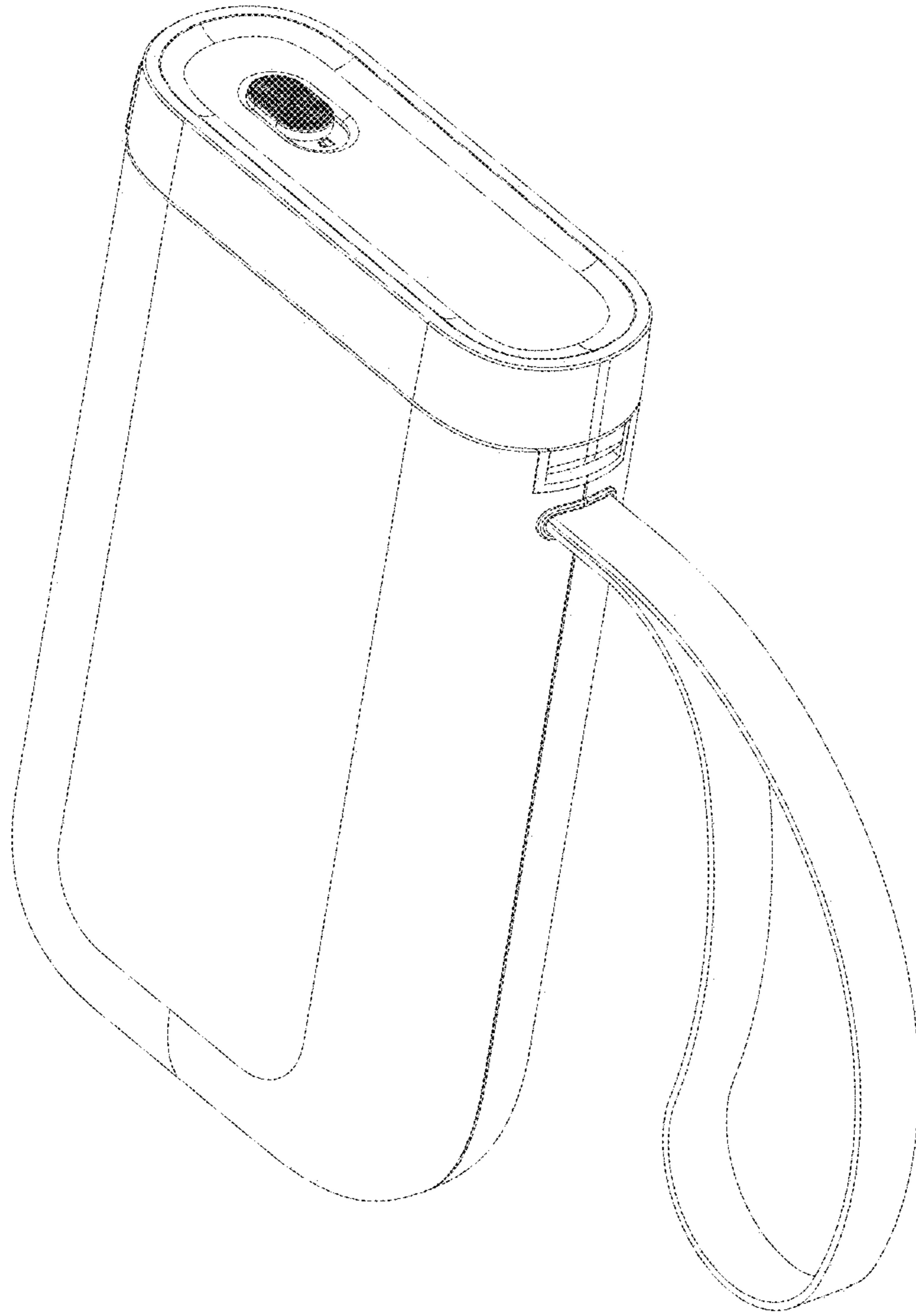


FIG. 9