



US00D936728S

(12) **United States Design Patent** (10) **Patent No.:** **US D936,728 S**
Leewe (45) **Date of Patent:** **** Nov. 23, 2021**

(54) **MOBILE ELECTRONIC DEVICE MOUNT**

D795,265 S 8/2017 Li
D800,102 S 10/2017 Wu
D815,624 S 4/2018 Davis
D819,121 S * 5/2018 Kushner D17/20
D821,849 S 7/2018 Nikayin
(Continued)

(71) Applicant: **mukutu GmbH**, Bielefeld (DE)

(72) Inventor: **Mark Leewe**, Borgholzhausen (DE)

(73) Assignee: **Mukutu GmbH**, Bielefeld (DE)

(**) Term: **15 Years**

(21) Appl. No.: **29/763,559**

(22) Filed: **Dec. 23, 2020**

Related U.S. Application Data

(62) Division of application No. 35/506,967, filed on Jan. 23, 2019 (U.S. filing date under 35 U.S.C. 384), and having an international filing date of Jan. 23, 2019, now Pat. No. Des. 908,788.

(51) **LOC (13) Cl.** **17-03**

(52) **U.S. Cl.**
USPC **D17/20; D14/217**

(58) **Field of Classification Search**
USPC D14/217, 239, 447
See application file for complete search history.

(56) **References Cited**

U.S. PATENT DOCUMENTS

4,998,277 A 3/1991 Rioux, Jr.
D359,493 S 6/1995 Harsch
6,075,194 A * 6/2000 Marinic G10H 1/10
84/600
D592,188 S 5/2009 Huang
D705,345 S 5/2014 Squillante
D714,268 S 9/2014 Zealer
D750,060 S 2/2016 Brassard
D758,351 S 6/2016 Zanders
D769,364 S 10/2016 Trifilio
D776,095 S 1/2017 Brown
D790,528 S 6/2017 Lindloff

OTHER PUBLICATIONS

Stompstrap 225 Photos | posted at facebook.com by @stompstrap Jul. 23, 2018 [online]. .COPYRGT.2020 Facebook [retrieved May 19, 2019] from Internet:<https7/www.facebook.com/pg/stompstrap/photos/?ref=page_internal> (Year: 2018).

(Continued)

Primary Examiner — Katherine Glennon

(74) *Attorney, Agent, or Firm* — Carter, DeLuca & Farrell LLP

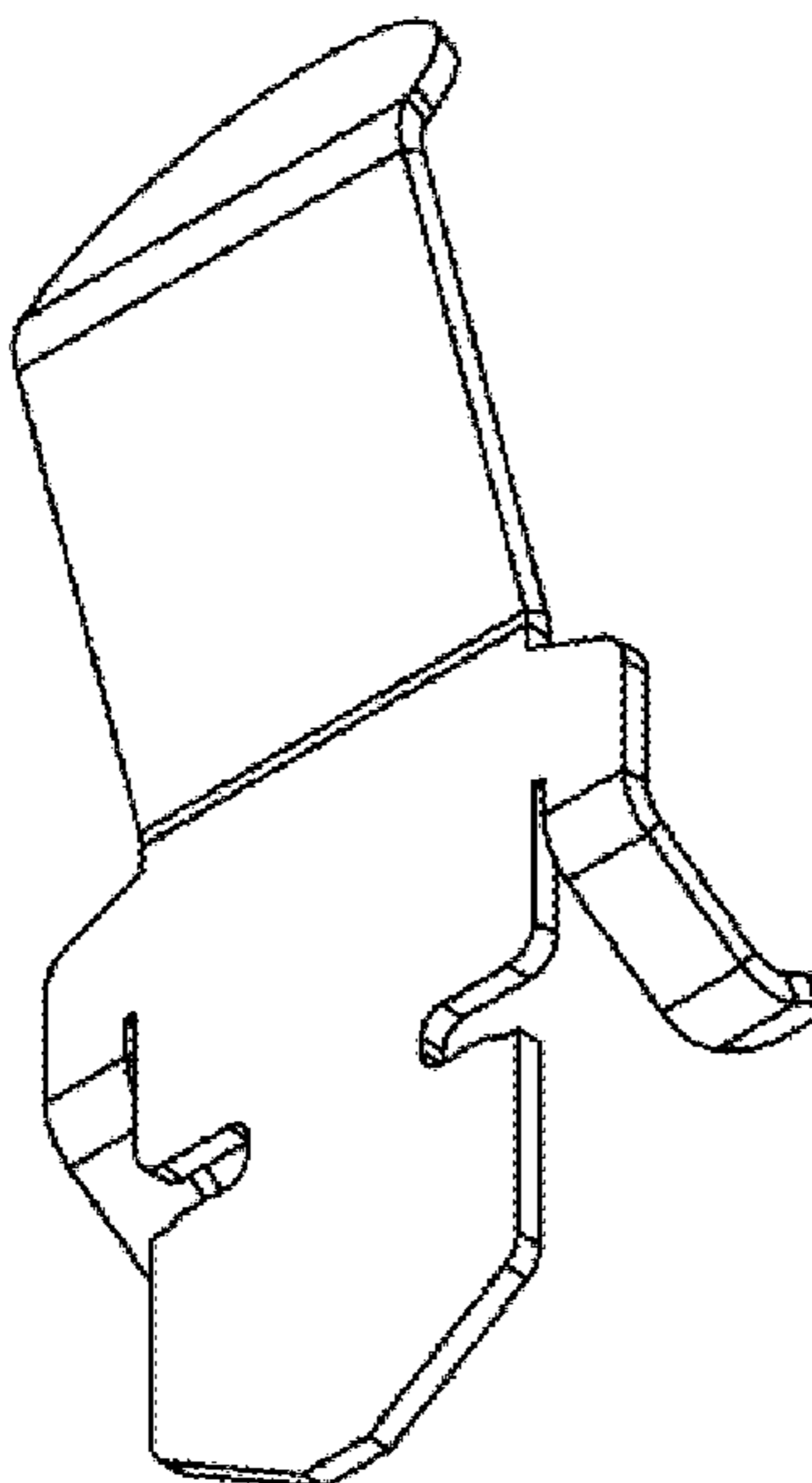
(57) **CLAIM**

The ornamental design for a mobile electronic device mount, as shown and described.

DESCRIPTION

FIG. 1 is a bottom view of a mobile electronic device mount in accordance with the present design;
FIG. 2 is left, side elevational view of the mobile electronic device mount of FIG. 1;
FIG. 3 is a right, side elevational view of the mobile electronic device mount of FIG. 1;
FIG. 4 is a front, elevational view of the mobile electronic device mount of FIG. 1;
FIG. 5 is a rear, elevational view of the mobile electronic device mount of FIG. 1;
FIG. 6 is a top, elevational view of the mobile electronic device mount of FIG. 1; and,
FIG. 7 is a perspective view of the mobile electronic device mount of FIG. 1.

1 Claim, 7 Drawing Sheets



(56)

References Cited

U.S. PATENT DOCUMENTS

D823,093 S 7/2018 Kanter
D823,286 S 7/2018 Kanter
D835,972 S 12/2018 Patil
D846,370 S 4/2019 Ni
D852,173 S 6/2019 Ni
D859,514 S 9/2019 Lackner
D908,788 S 1/2021 Leewe
2016/0171959 A1 6/2016 Canivell Grifols
2018/0352955 A1 12/2018 Corbo
2020/0372880 A1* 11/2020 Stanley G10G 7/00

OTHER PUBLICATIONS

Stomptrap Review | posted at youtube.com by Pedal Syndicate Aug. 2018 [online]. [retrieved May 19, 2019] from Internet: <<https://www.youtube.com/watch?v=5R4MM55pzt0>> (Year: 2018).

Stomptrap mini | posted at schmidtarray.com, n. d. [online]. .COPYRGT. 2017 by Schmidt Array [retrieved Apr. 9, 2019] from Internet: <<https://www.schmidtarray.com/product-page/stomptrap>> (Year: 2020).

* cited by examiner

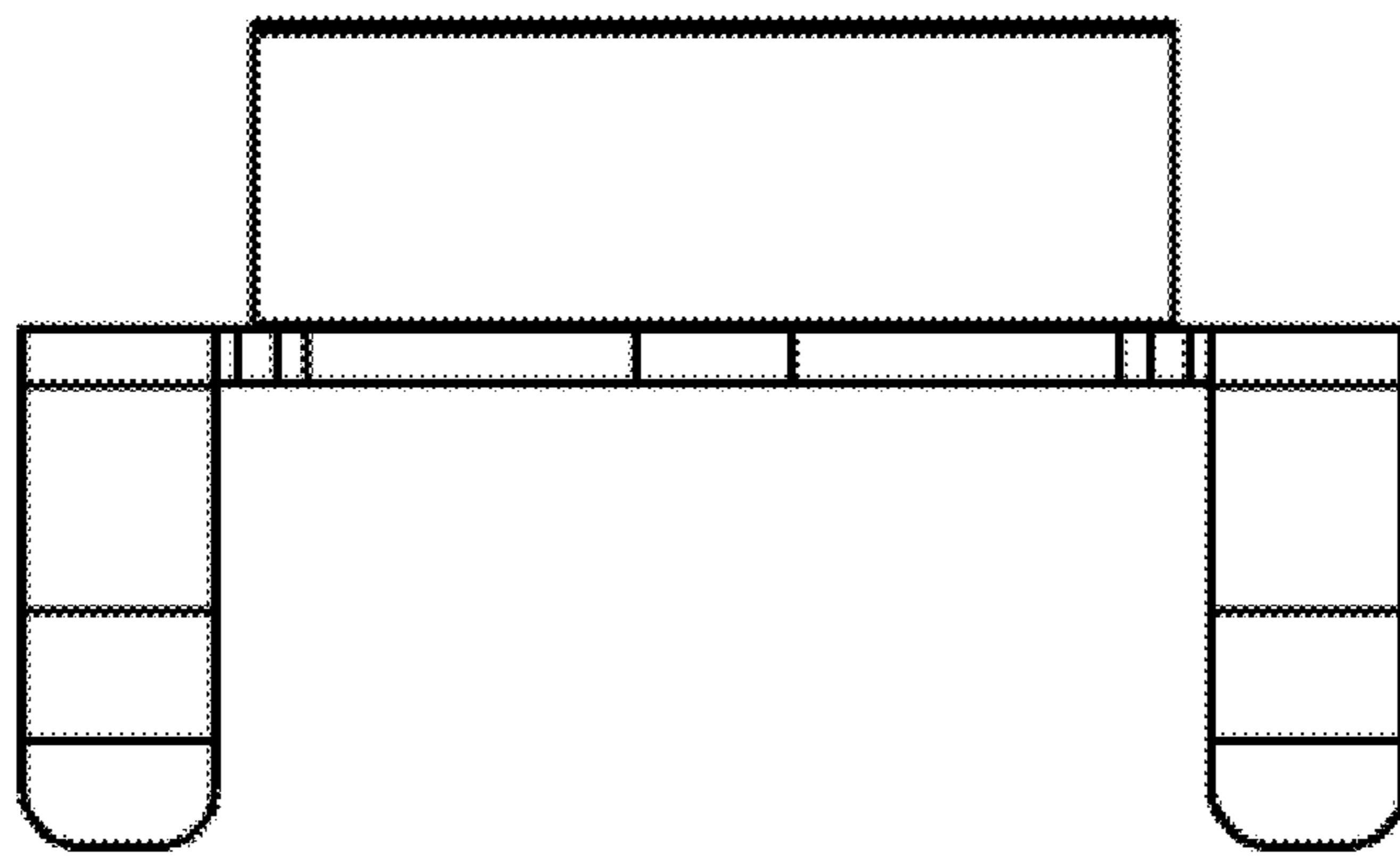


FIG. 1

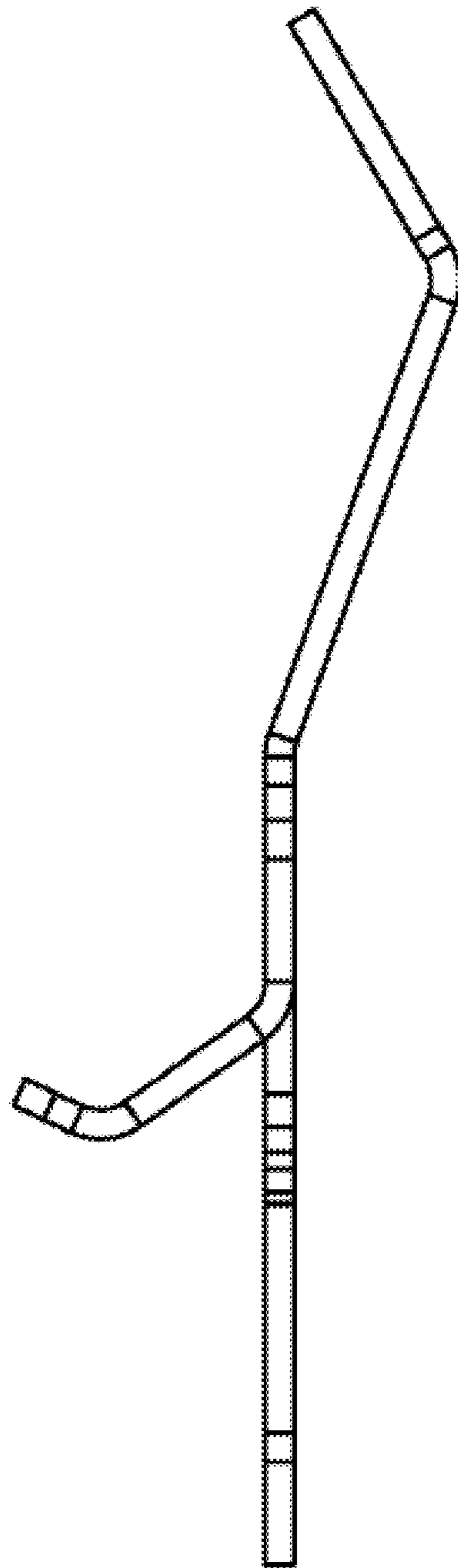


FIG. 2

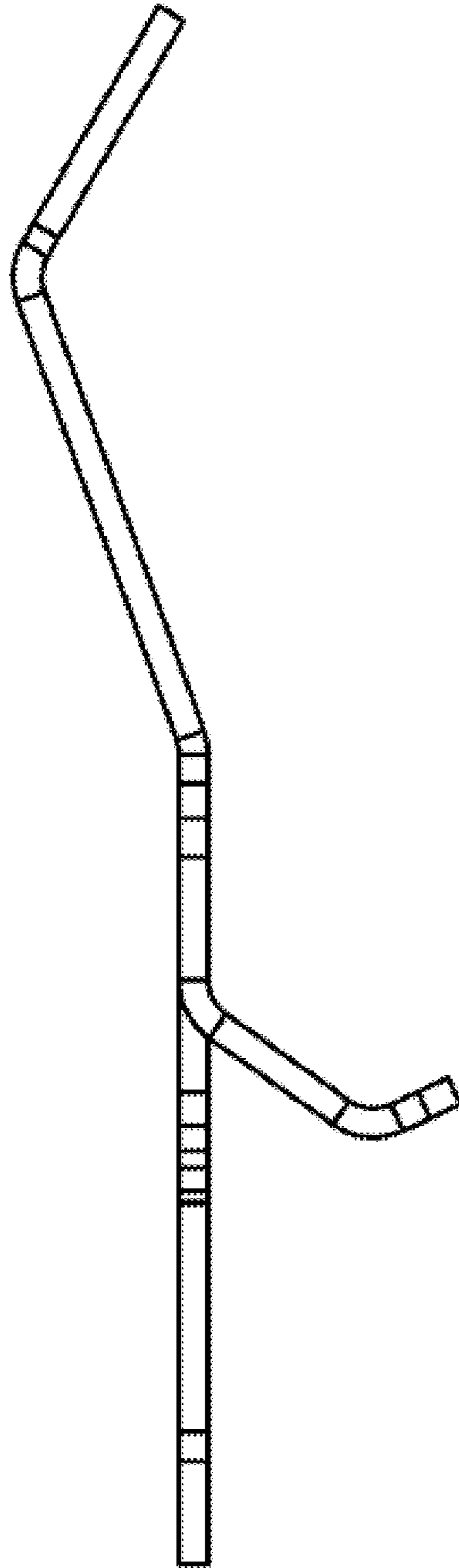


FIG. 3

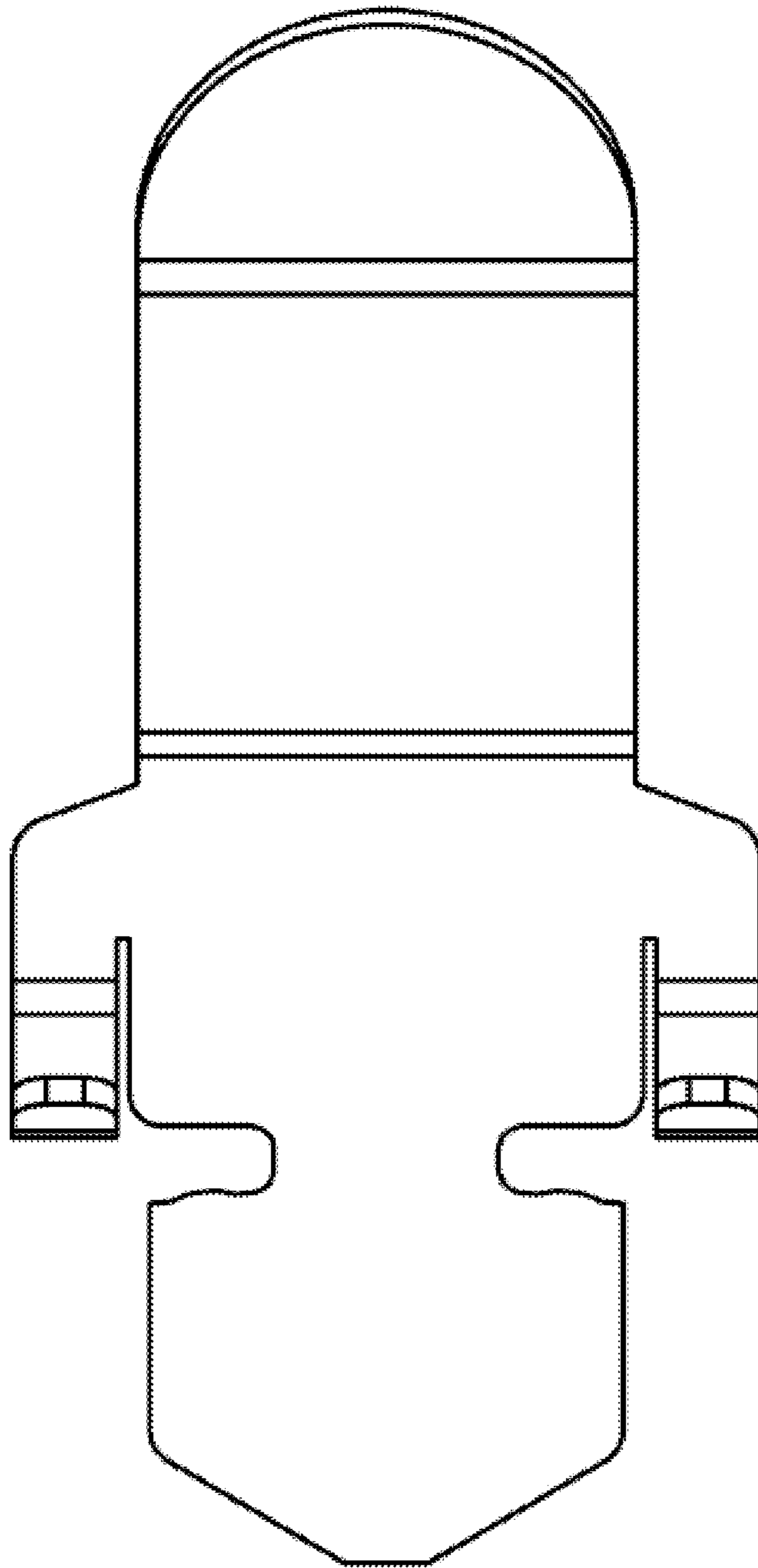


FIG. 4

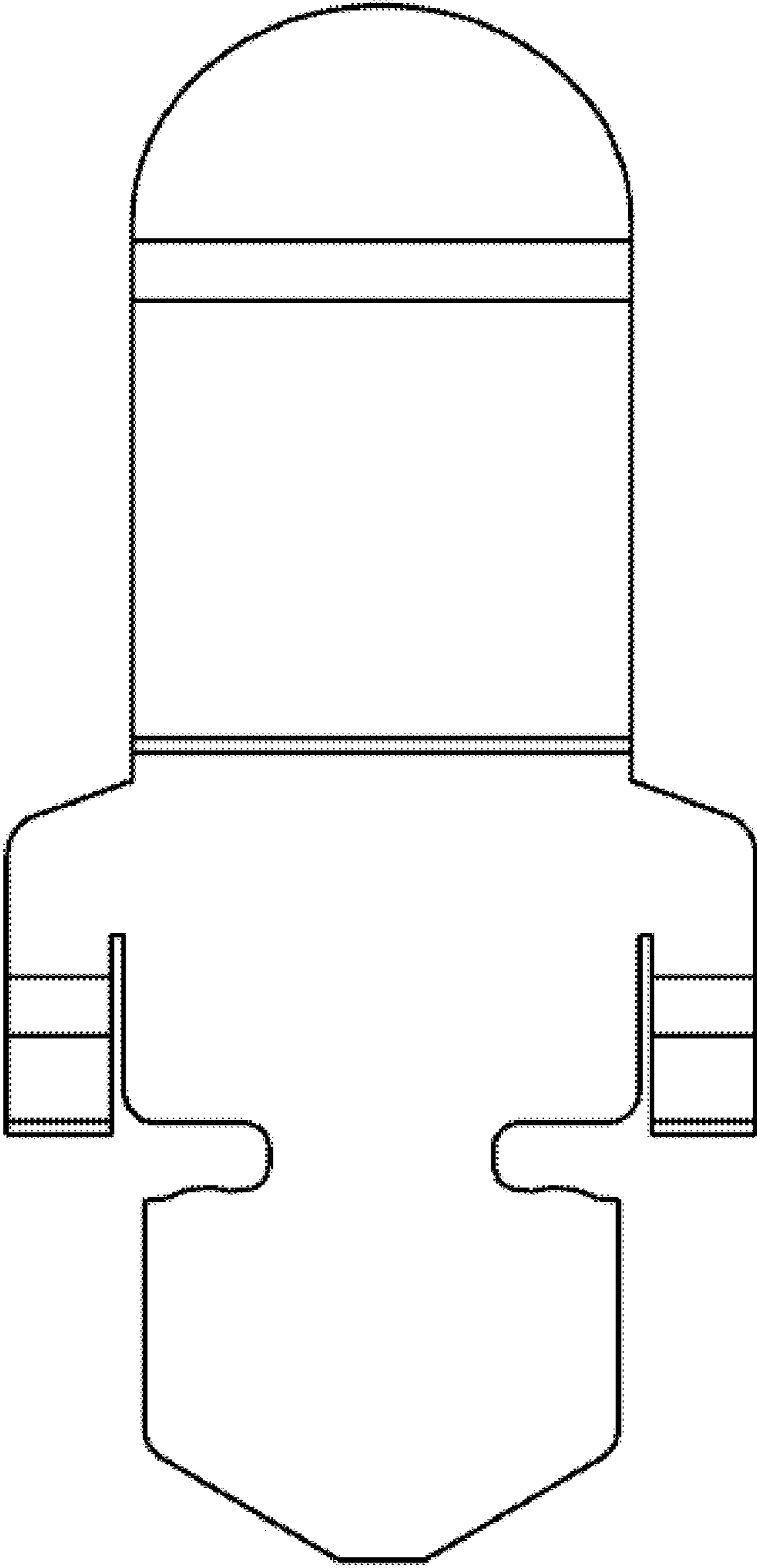


FIG. 5

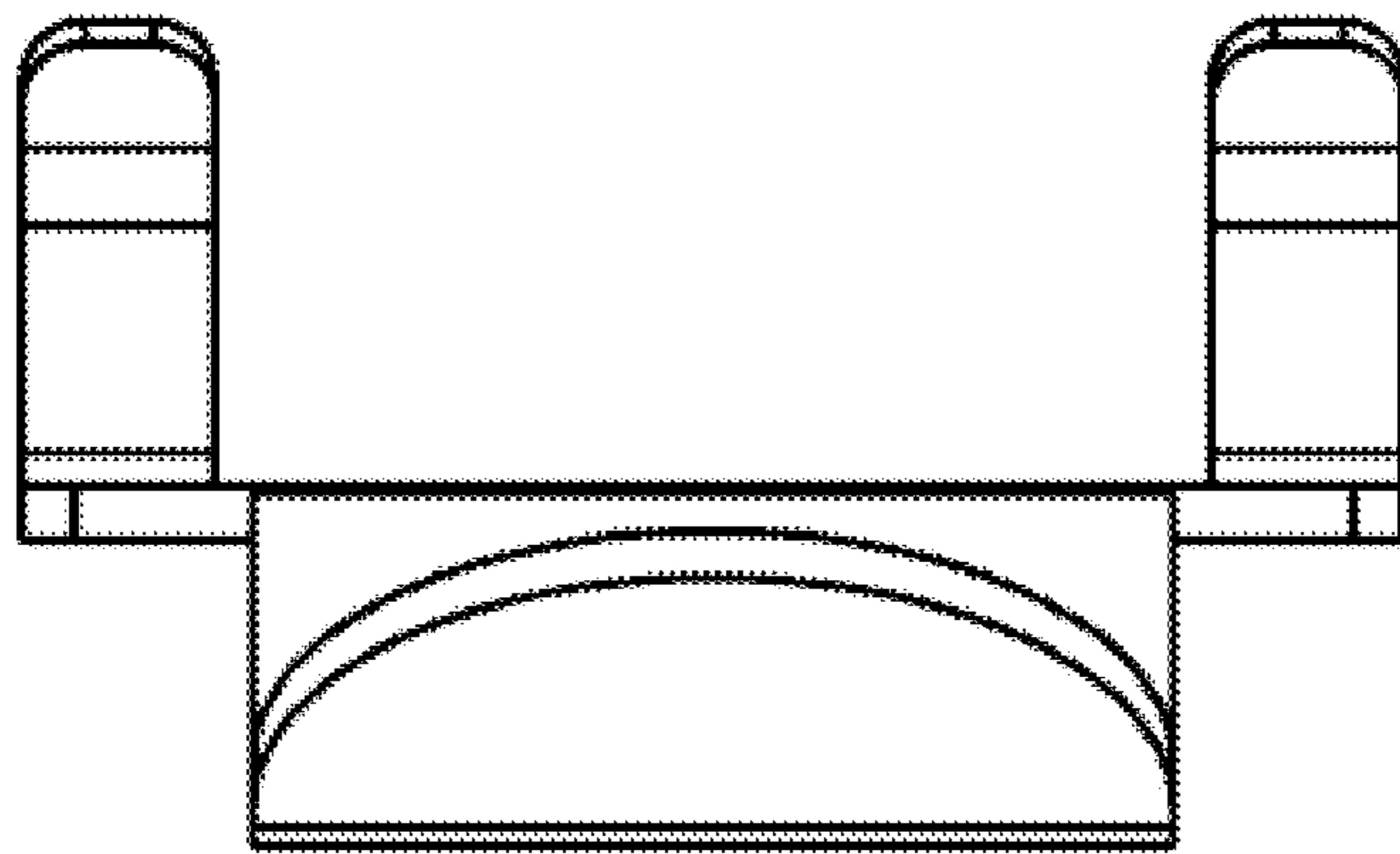


FIG. 6

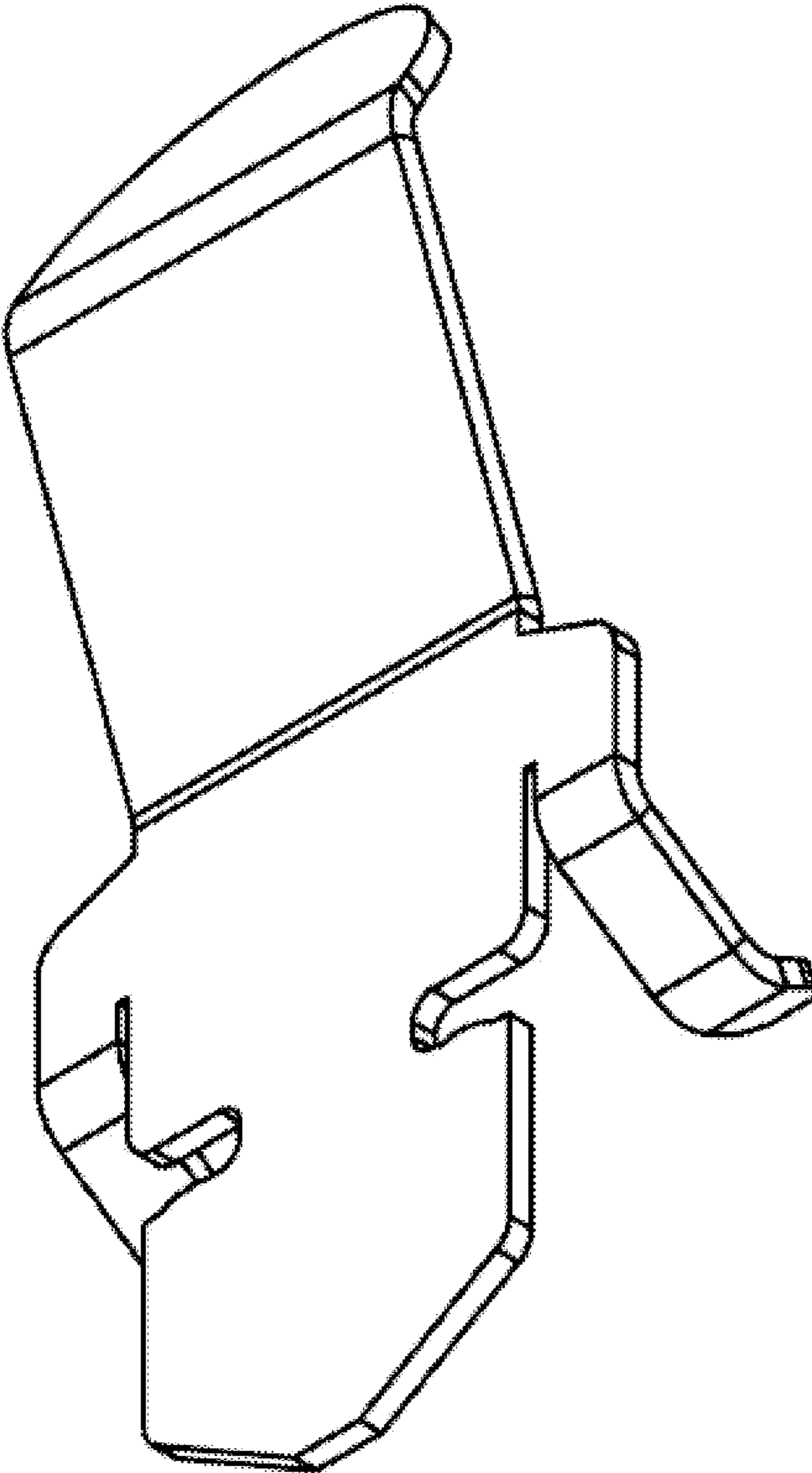


FIG. 7