



US00D936727S

(12) **United States Design Patent**  
**Gao**

(10) **Patent No.:** **US D936,727 S**

(45) **Date of Patent:** **\*\* Nov. 23, 2021**

(54) **PROJECTOR**

(71) Applicant: **SHENZHEN AOKANG TECHNOLOGY CO., LTD.**, Shenzhen (CN)

(72) Inventor: **Hongbing Gao**, Shenzhen (CN)

(73) Assignee: **SHENZHEN AOKANG TECHNOLOGY CO., LTD.**, Shenzhen (CN)

(\*\*) Term: **15 Years**

(21) Appl. No.: **29/738,516**

(22) Filed: **Jun. 18, 2020**

(30) **Foreign Application Priority Data**

Jan. 21, 2020 (CN) ..... 202030042538.5

(51) **LOC (13) Cl.** ..... **16-02**

(52) **U.S. Cl.**  
USPC ..... **D16/230; D16/225**

(58) **Field of Classification Search**  
USPC ..... D16/221, 225, 230-231, 234; D21/514  
CPC ..... G03B 21/145; G03B 21/14; G03B 21/16;  
G03B 21/00; G03B 21/001; G03B 21/003  
See application file for complete search history.

(56) **References Cited**

**U.S. PATENT DOCUMENTS**

D454,360 S \* 3/2002 Shimizu ..... D16/230  
D473,253 S \* 4/2003 Shimamoto ..... D16/225

D555,185 S \* 11/2007 Nozue ..... D16/225  
D831,096 S \* 10/2018 Gao ..... D16/230  
D850,517 S \* 6/2019 Li ..... D16/230  
D865,033 S \* 10/2019 Cheng ..... D16/230  
D871,489 S \* 12/2019 Wan ..... D16/230  
D879,182 S \* 3/2020 Deng ..... D16/230  
D882,670 S \* 4/2020 He ..... D16/230  
D914,792 S \* 3/2021 Li ..... D16/230  
D921,091 S \* 6/2021 Wu ..... D16/230

\* cited by examiner

*Primary Examiner* — Wan Laymon

(57) **CLAIM**

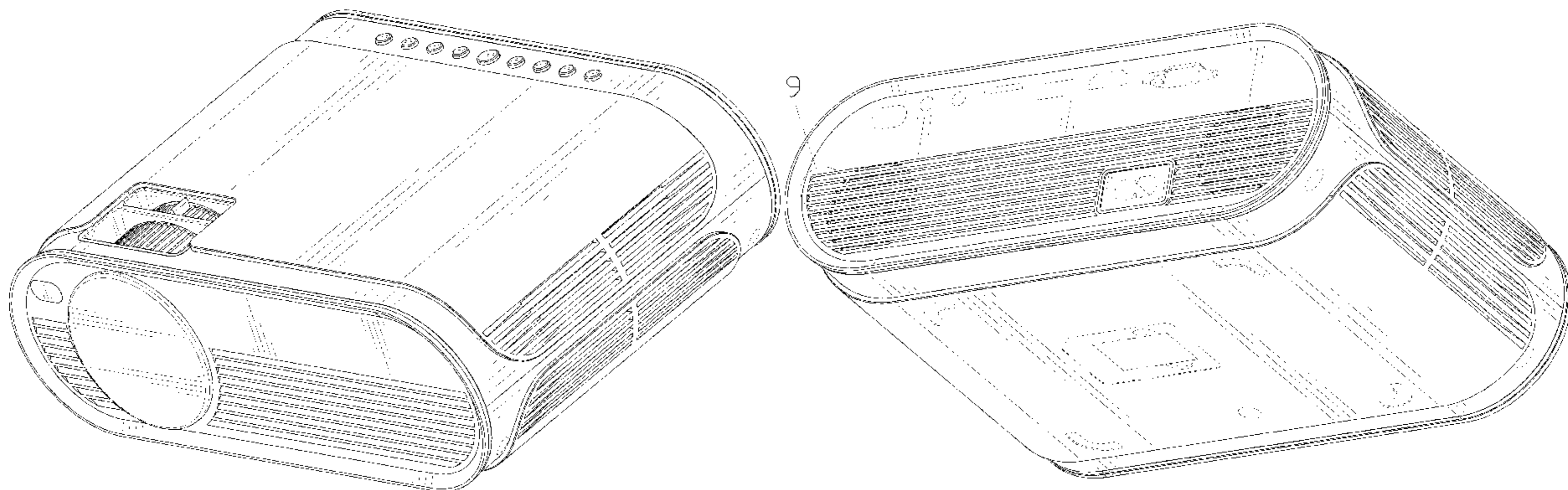
The ornamental design for a projector, as shown and described.

**DESCRIPTION**

FIG. 1 is a perspective view of a projector showing my new design;  
FIG. 2 is another perspective view thereof;  
FIG. 3 is a front elevational view thereof;  
FIG. 4 is a rear elevational view thereof;  
FIG. 5 is a left side elevational view thereof;  
FIG. 6 is a right side elevational view thereof;  
FIG. 7 is a top plan view thereof;  
FIG. 8 is a bottom plan view thereof; and,  
FIG. 9 is an enlarged view of the encircled portion 9 of FIG. 2.

The broken lines in the drawings are for the purpose of illustrating portions of the projector that form no part of the claimed design.

**1 Claim, 9 Drawing Sheets**



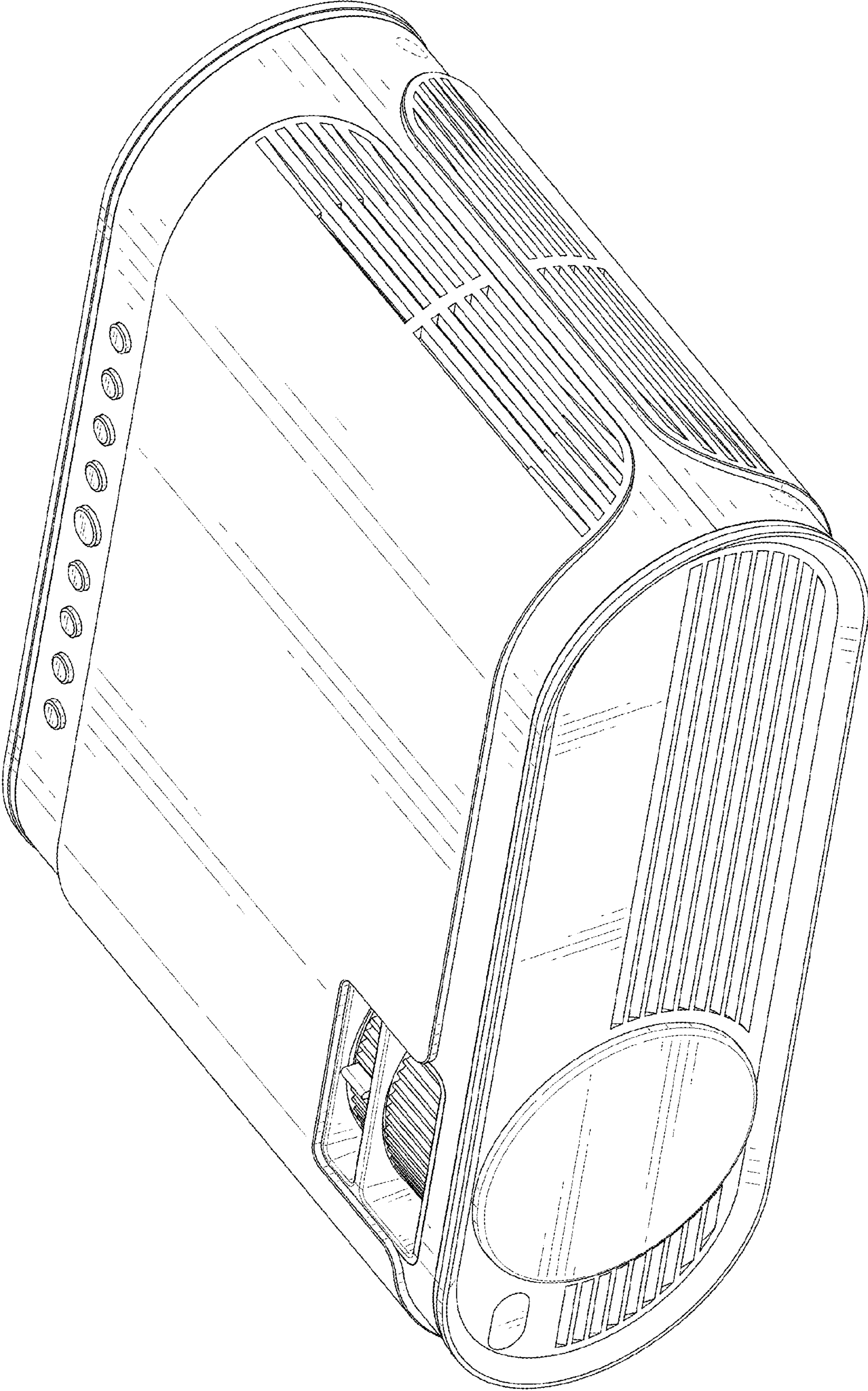


FIG. 1

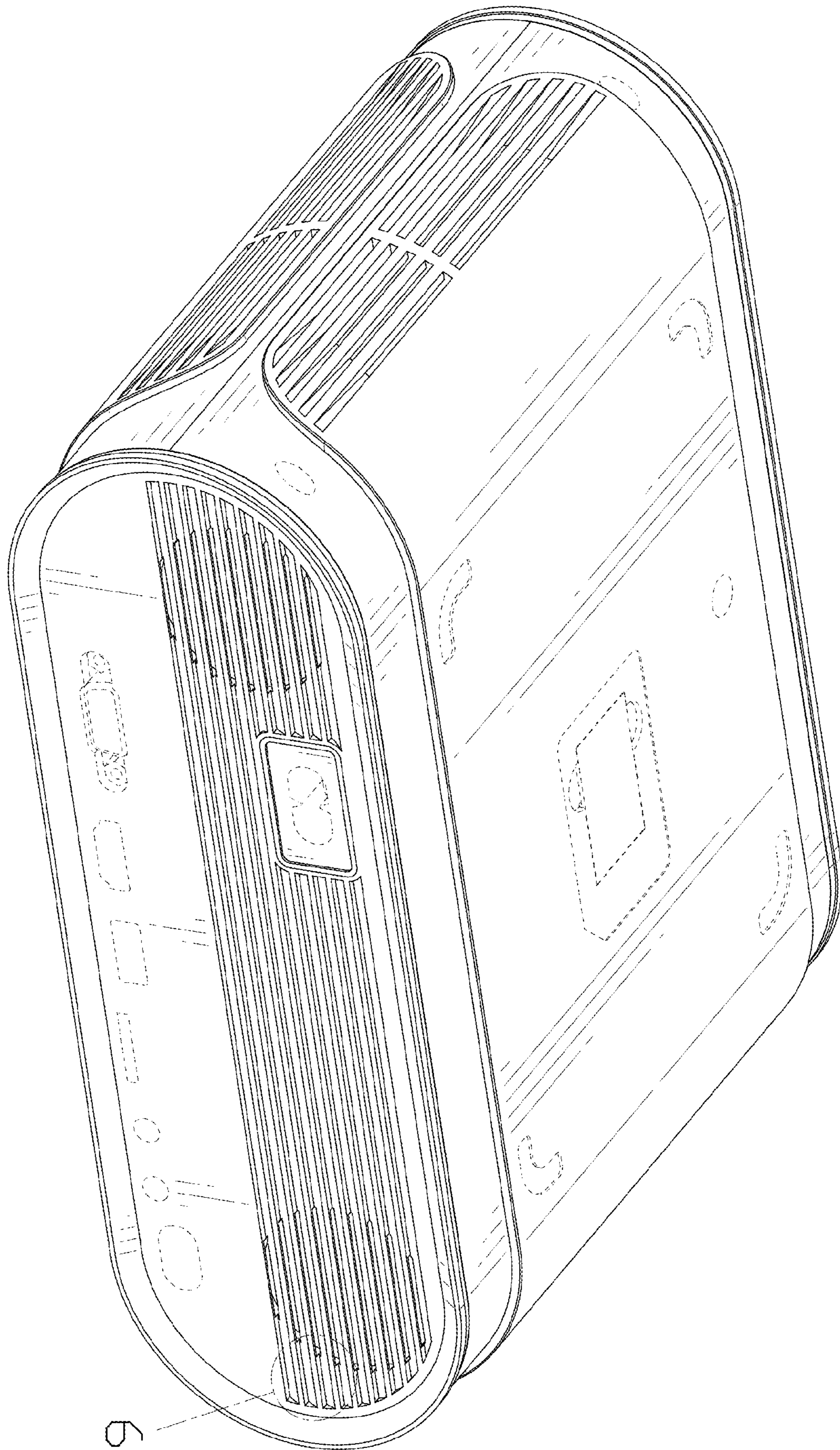


FIG. 2

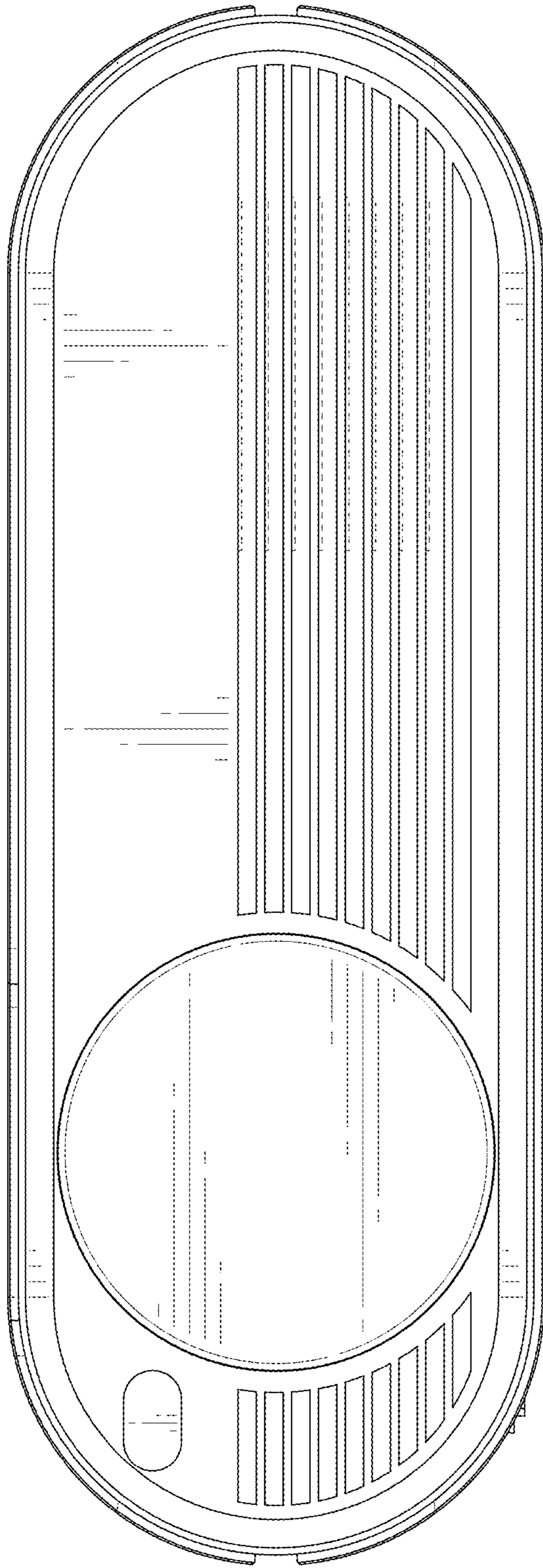


FIG. 3

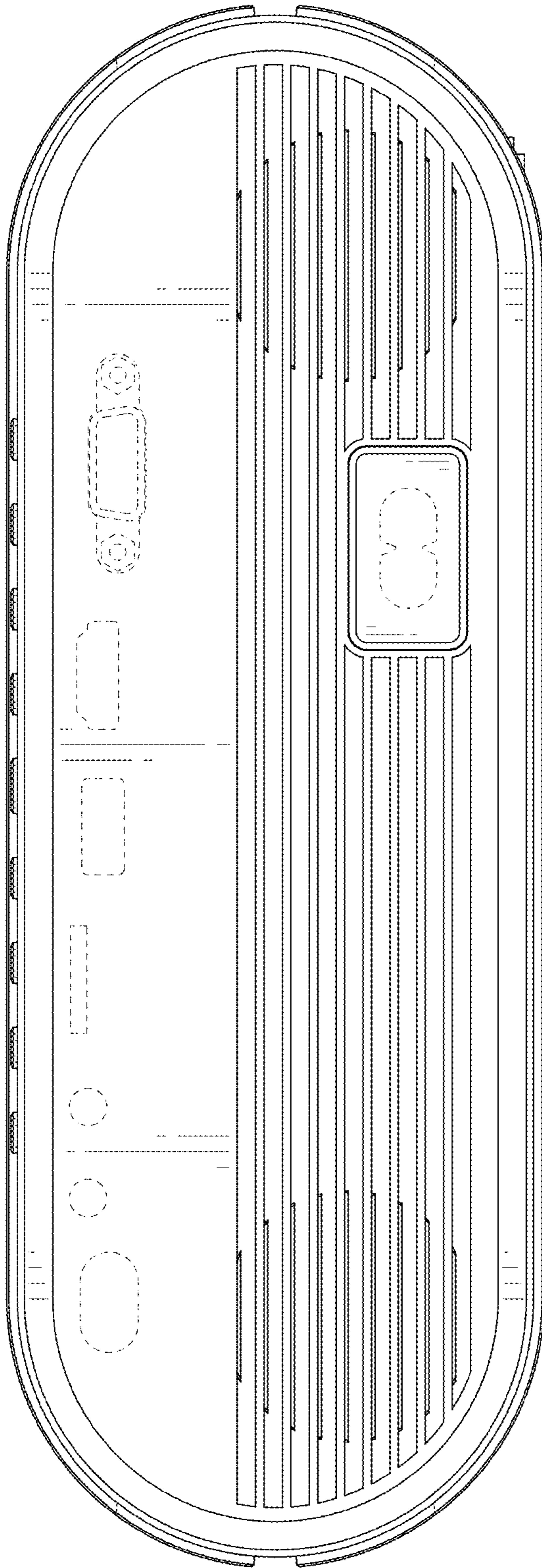


FIG. 4

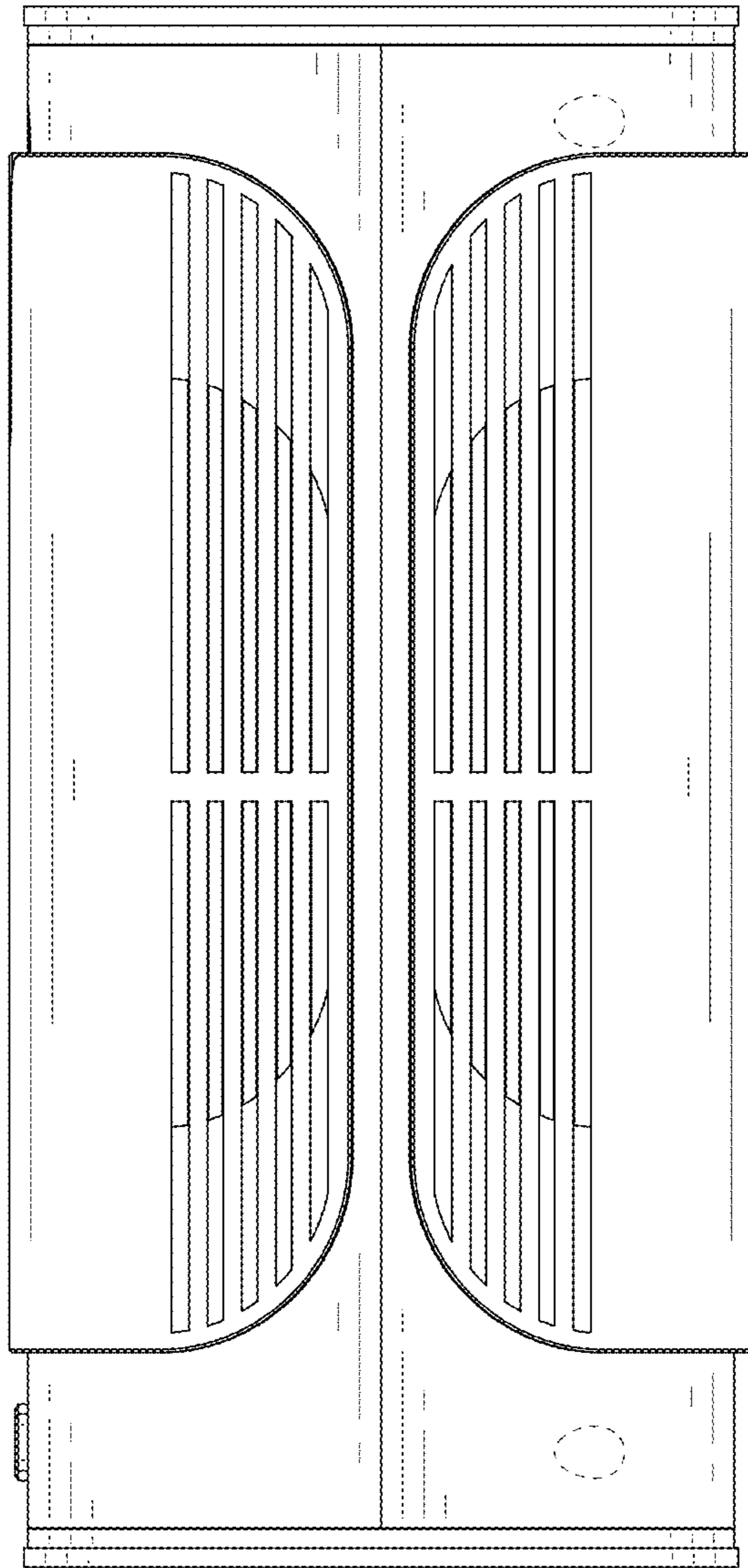


FIG. 5

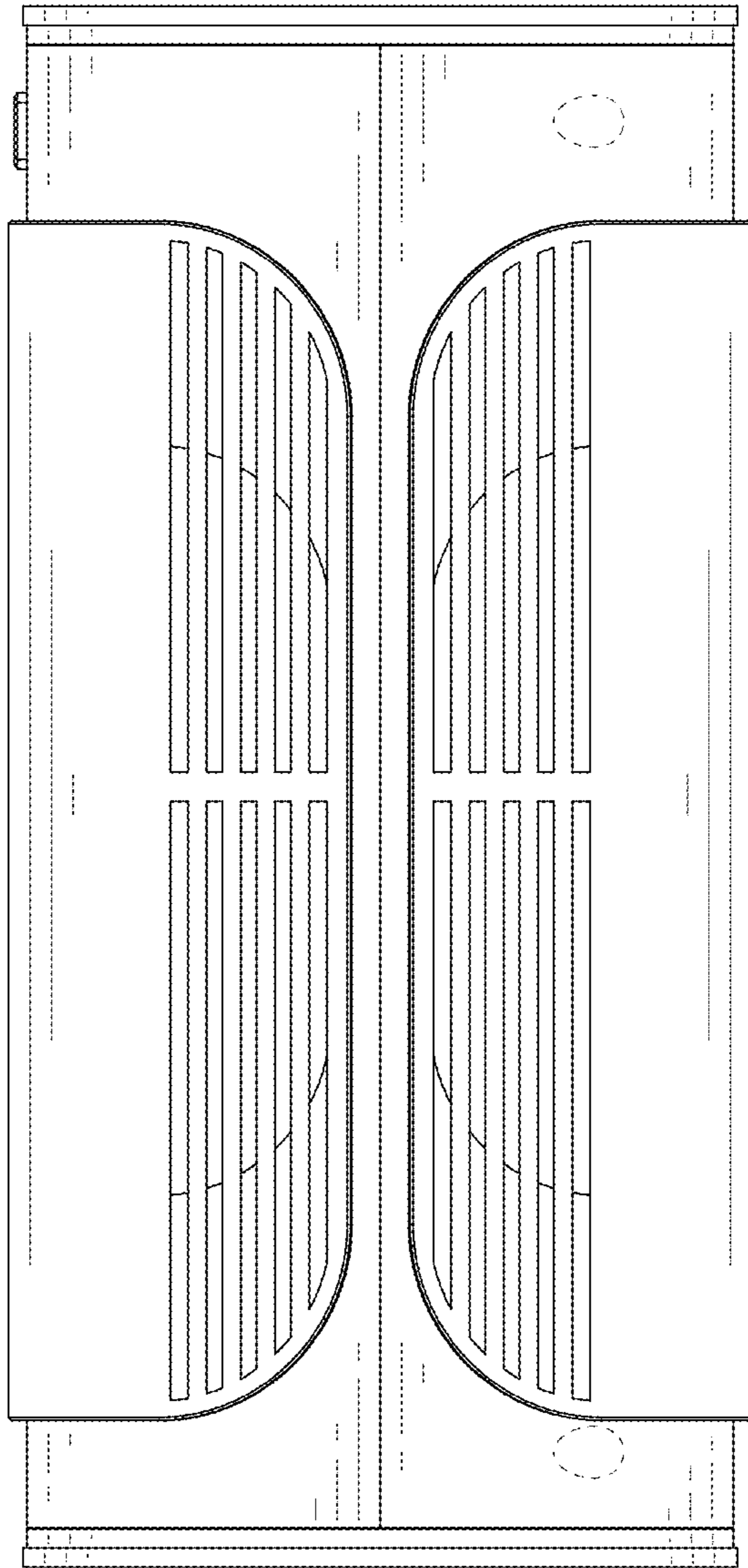


FIG. 6

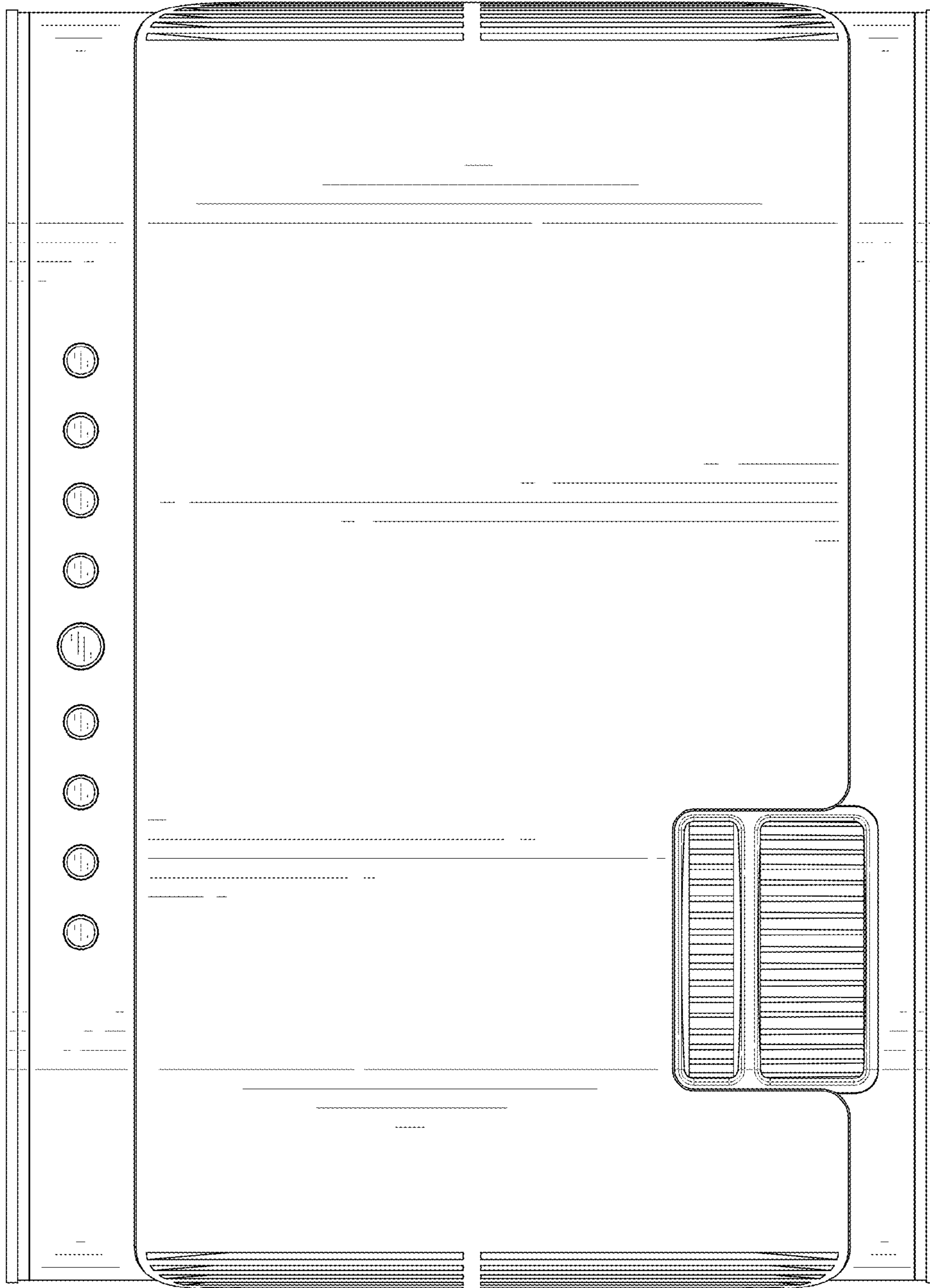


FIG. 7



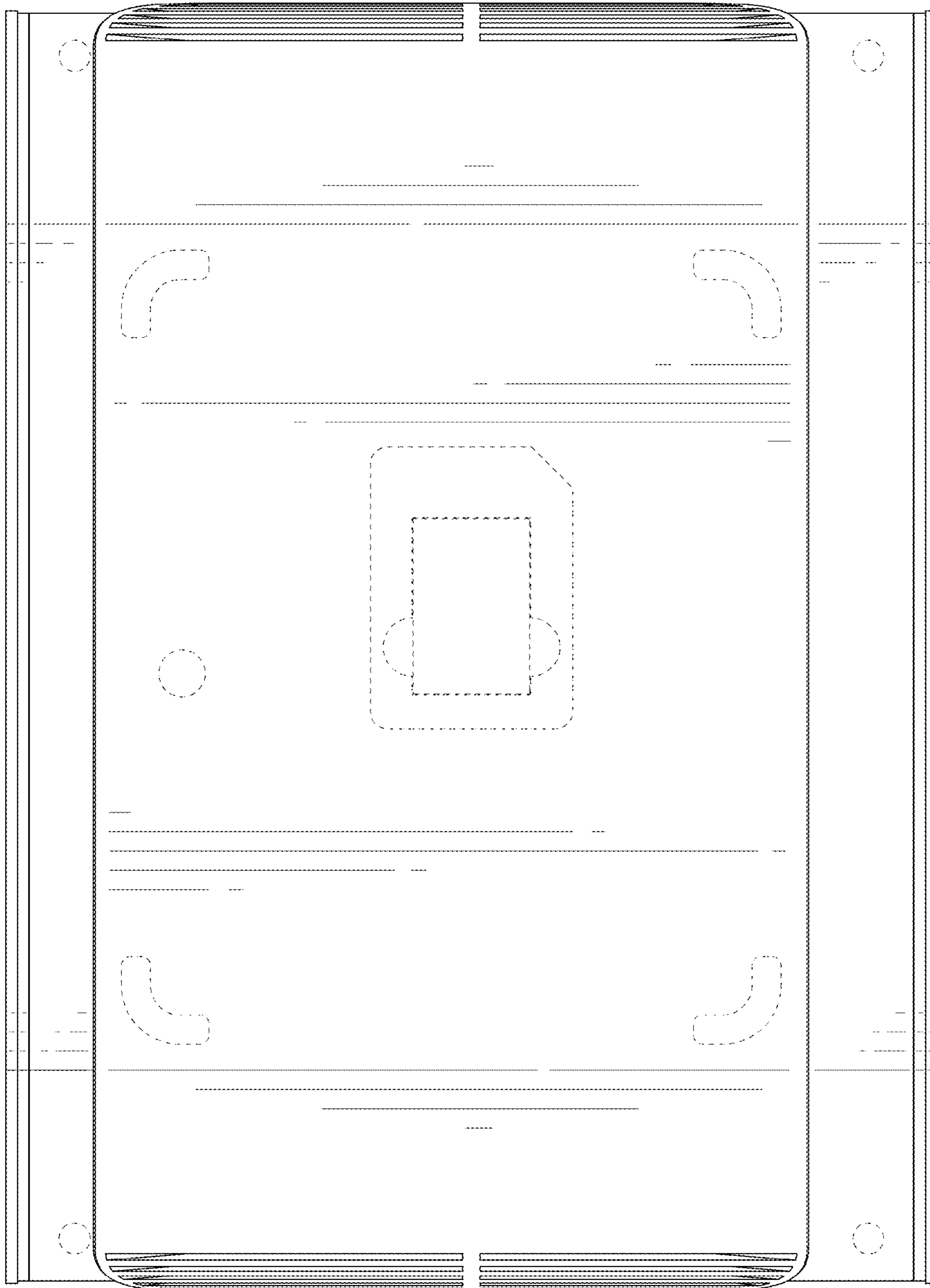


FIG. 8

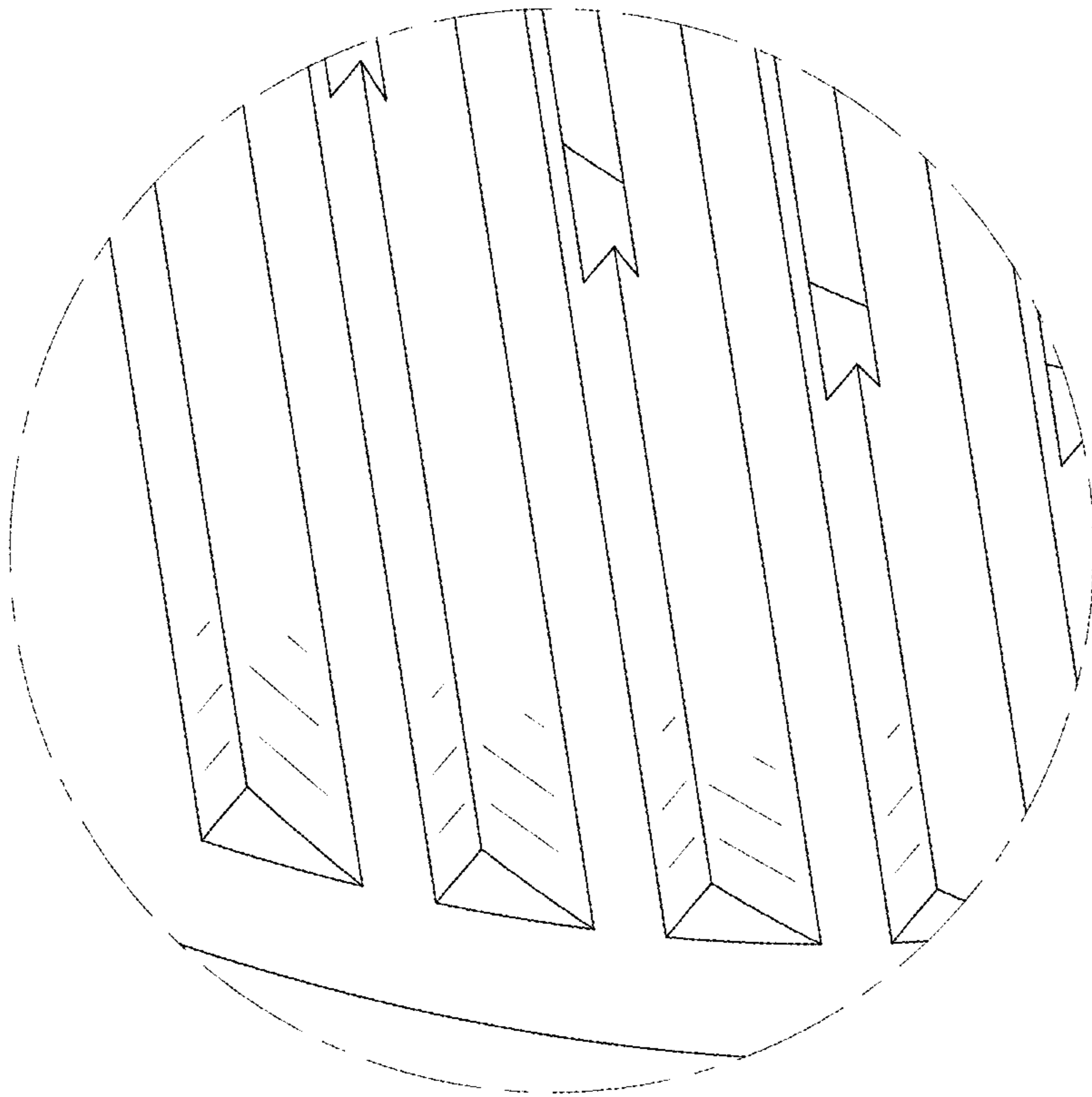


FIG. 9