



US00D936726S

(12) **United States Design Patent**  
**Deng**

(10) **Patent No.:** **US D936,726 S**

(45) **Date of Patent:** **\*\* Nov. 23, 2021**

(54) **PROJECTOR**

(71) Applicant: **Shenzhen Shadow Crown Technology Co., Ltd**, Guangdong (CN)

(72) Inventor: **Feiyue Deng**, Guangdong (CN)

(73) Assignee: **Shenzhen Shadow Crown Technology Co., Ltd**, Shenzhen (CN)

(\*\*) Term: **15 Years**

(21) Appl. No.: **29/748,270**

(22) Filed: **Aug. 27, 2020**

(30) **Foreign Application Priority Data**

Aug. 13, 2020 (CN) ..... 202030461741.6

(51) **LOC (13) Cl.** ..... **16-02**

(52) **U.S. Cl.**  
USPC ..... **D16/227; D16/230**

(58) **Field of Classification Search**  
USPC ..... D16/221, 225, 227, 230-231, 234;  
D21/514

CPC ..... G03B 21/145; G03B 21/14; G03B 21/16;  
G03B 21/00; G03B 21/001; G03B  
21/003; G03B 21/12

See application file for complete search history.

(56) **References Cited**

**U.S. PATENT DOCUMENTS**

D497,929 S \* 11/2004 Ohki ..... D16/230  
D590,865 S \* 4/2009 Nishimura ..... D16/230

D658,699 S \* 5/2012 Azuma ..... D16/230  
D879,182 S \* 3/2020 Deng ..... D16/230  
D882,670 S \* 4/2020 He ..... D16/230  
D909,659 S \* 2/2021 Lin ..... D16/221  
D914,792 S \* 3/2021 Li ..... D16/230

\* cited by examiner

*Primary Examiner* — Wan Laymon

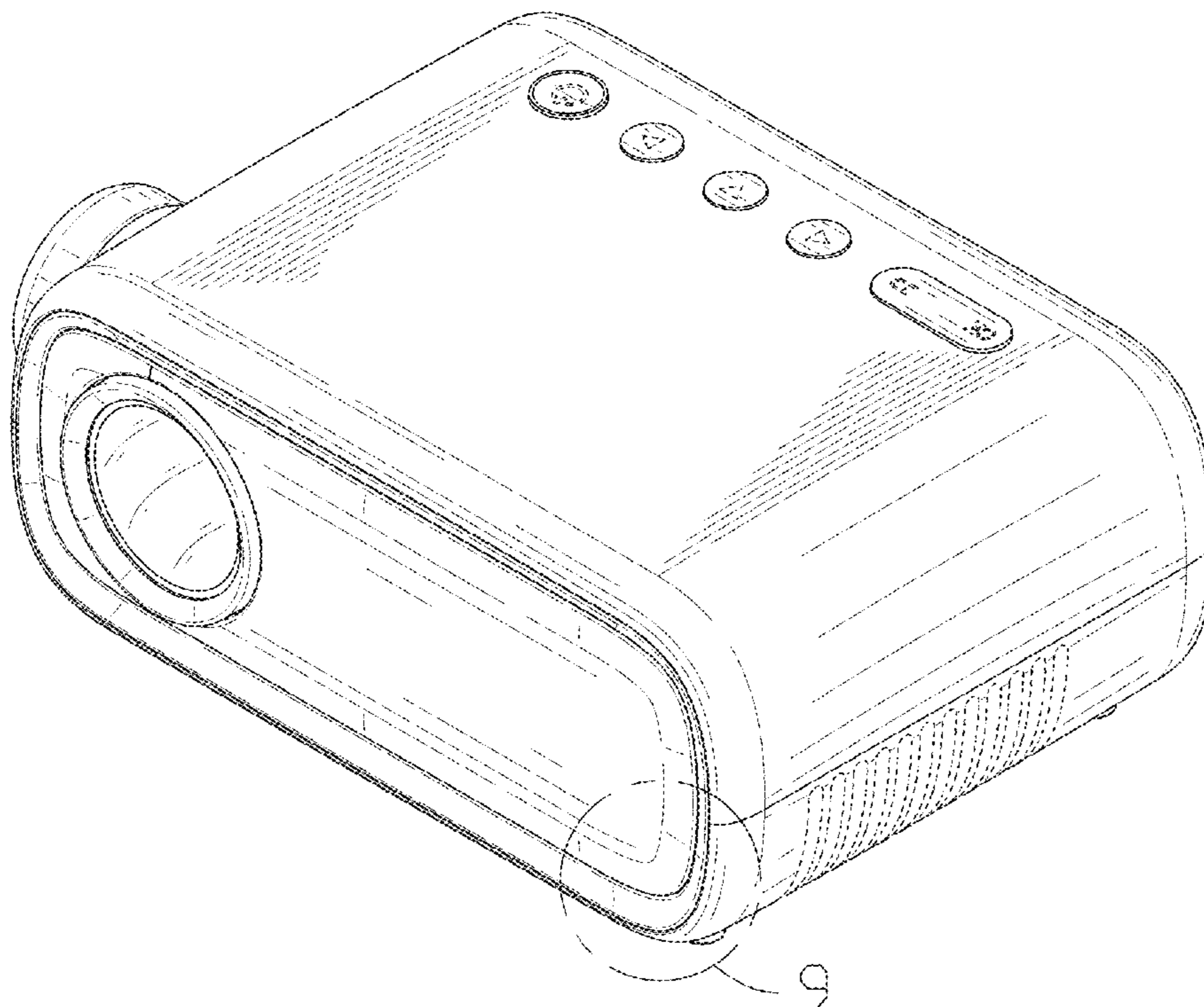
(57) **CLAIM**

The ornamental design for a projector, as shown and described.

**DESCRIPTION**

FIG. 1 is a top, front and right side perspective view of a projector showing my new design;  
FIG. 2 is a bottom, rear and left side perspective view thereof;  
FIG. 3 is a front elevational view thereof;  
FIG. 4 is a rear elevational view thereof;  
FIG. 5 is a left side view thereof;  
FIG. 6 is a right side view thereof;  
FIG. 7 is a top plan view thereof;  
FIG. 8 is a bottom plan view thereof; and,  
FIG. 9 is an enlarged view of portion 9 in FIG. 1.  
The broken lines in the drawings illustrate portions of the projector which form no part of the claimed design.  
The oblique shade lines in the drawings represent reflective surfaces.

**1 Claim, 9 Drawing Sheets**



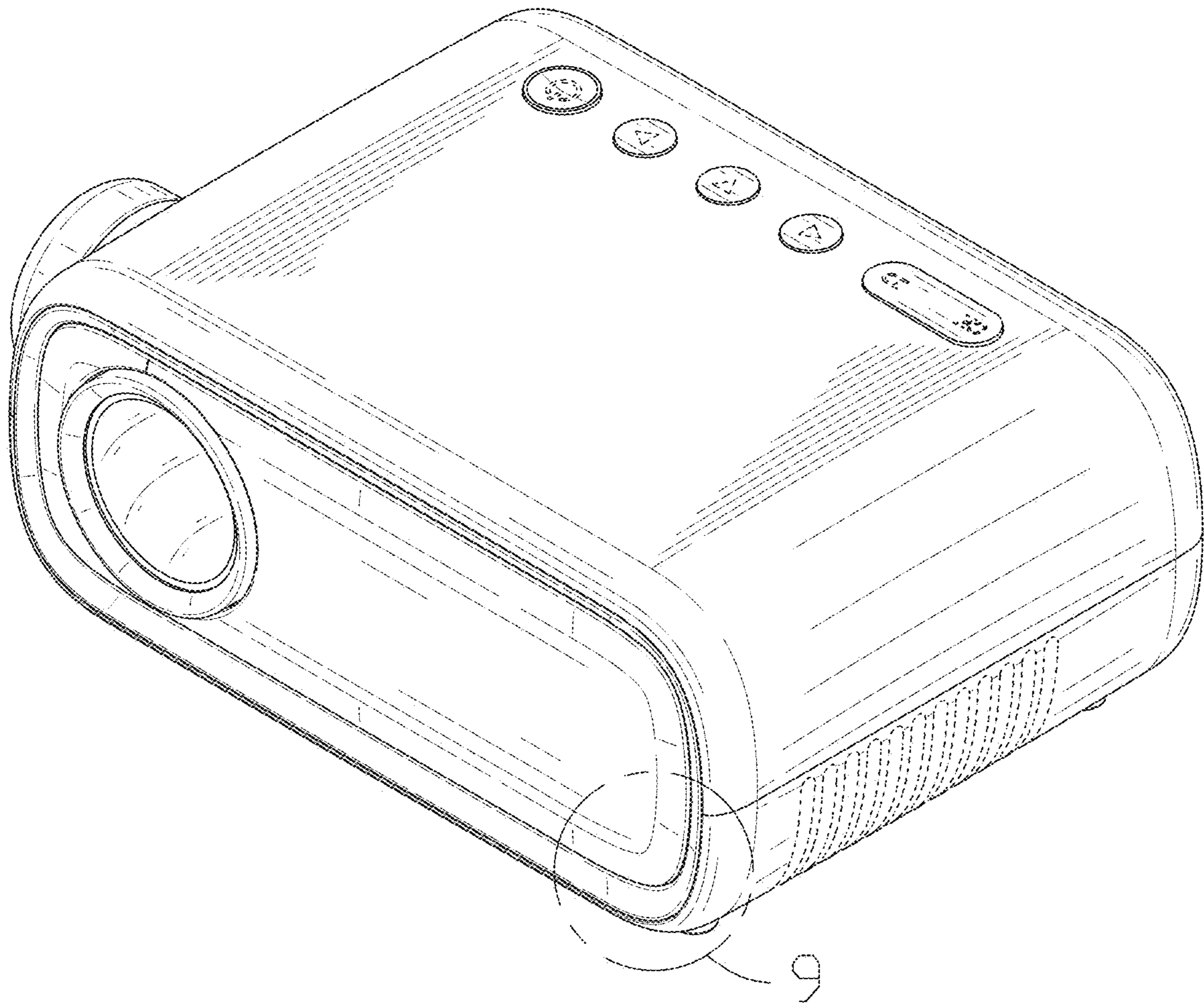


FIG. 1

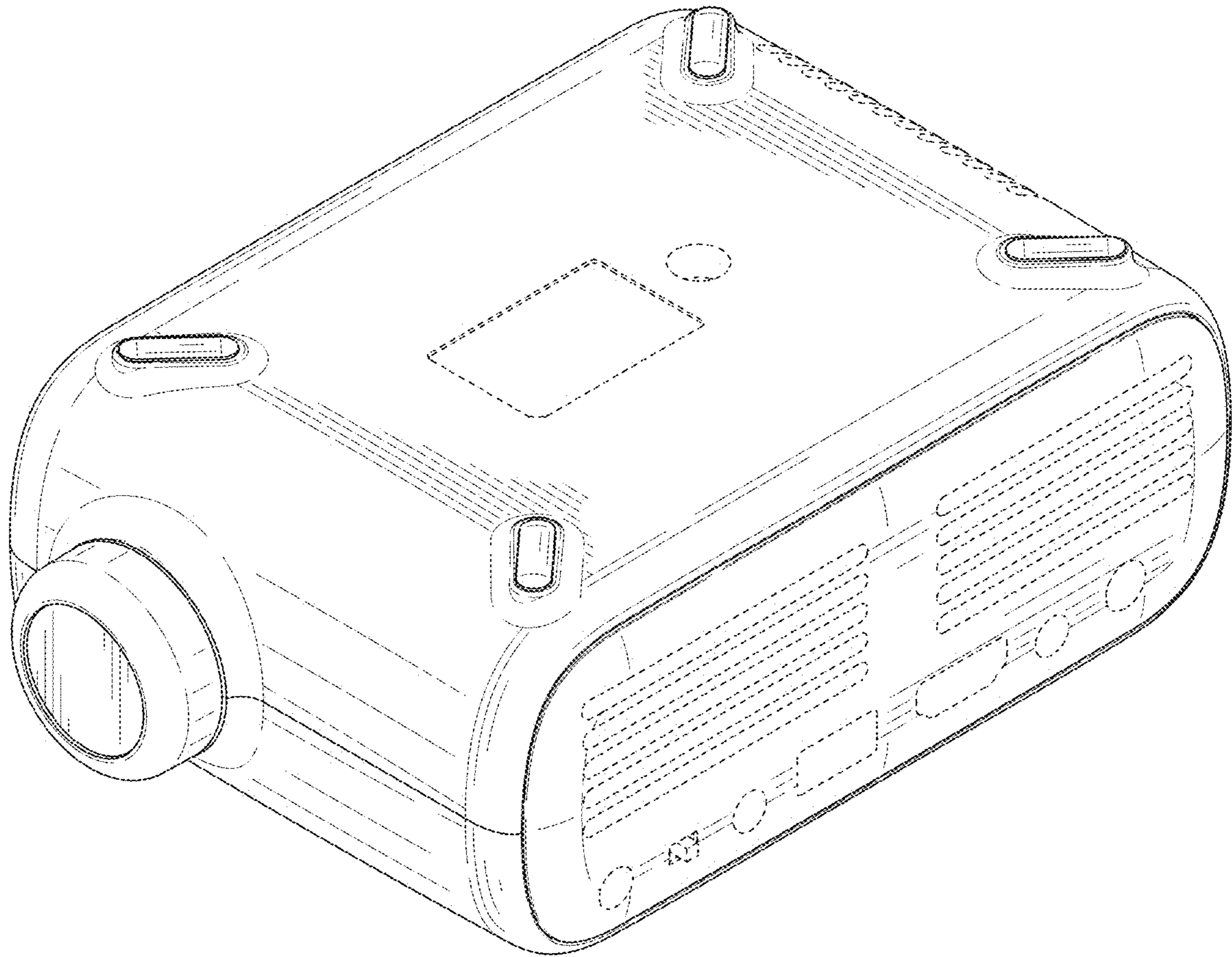


FIG. 2

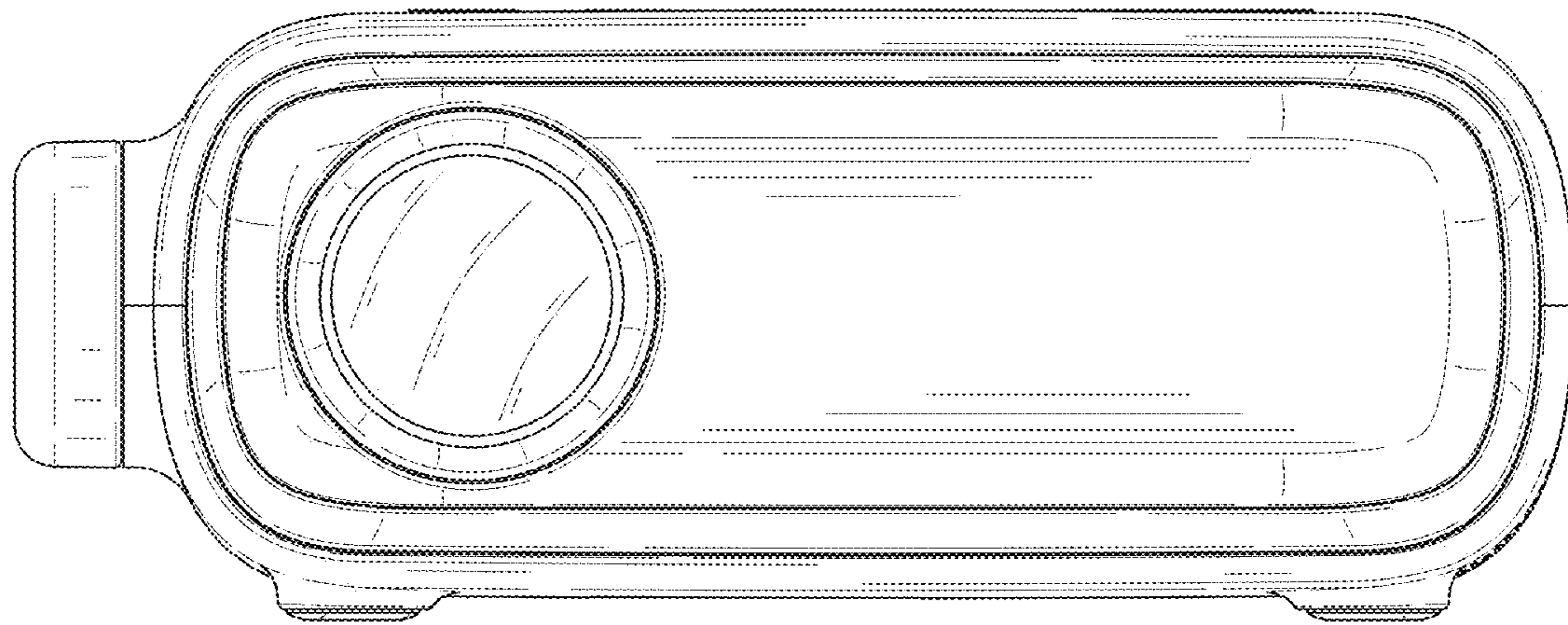


FIG. 3

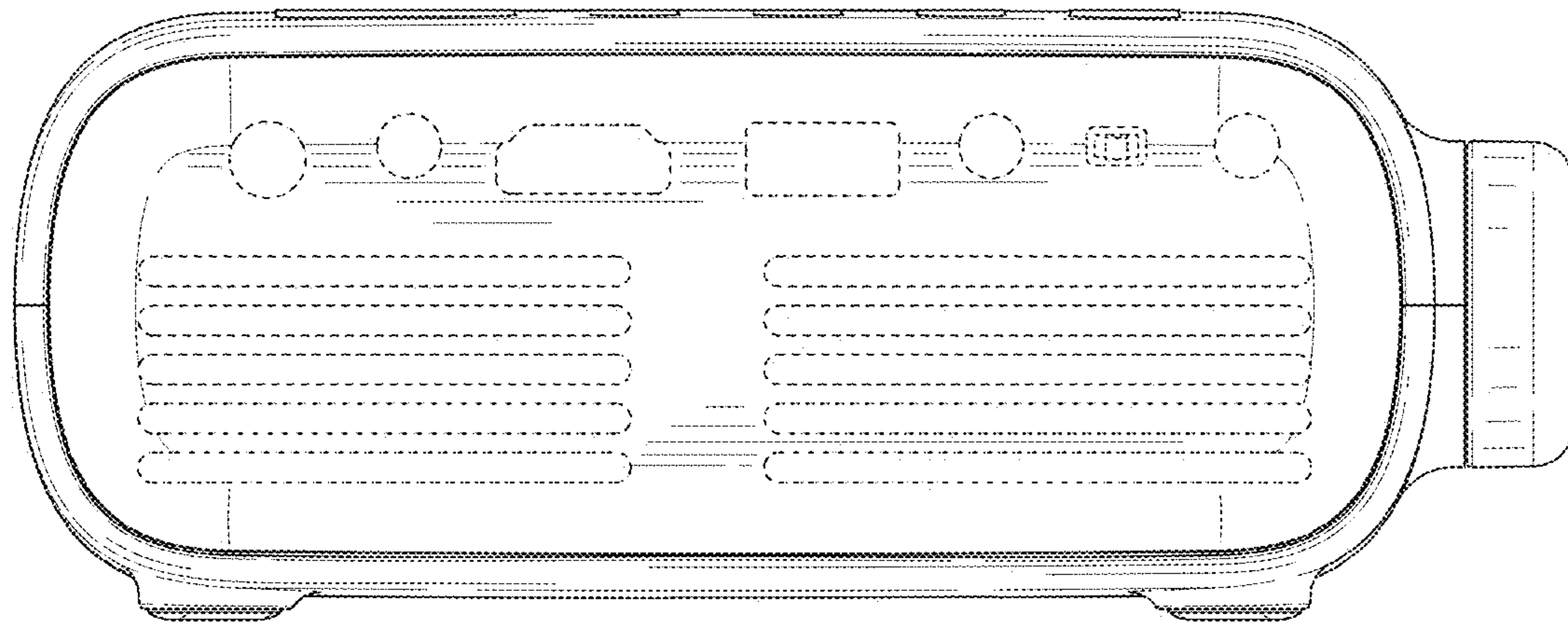


FIG. 4

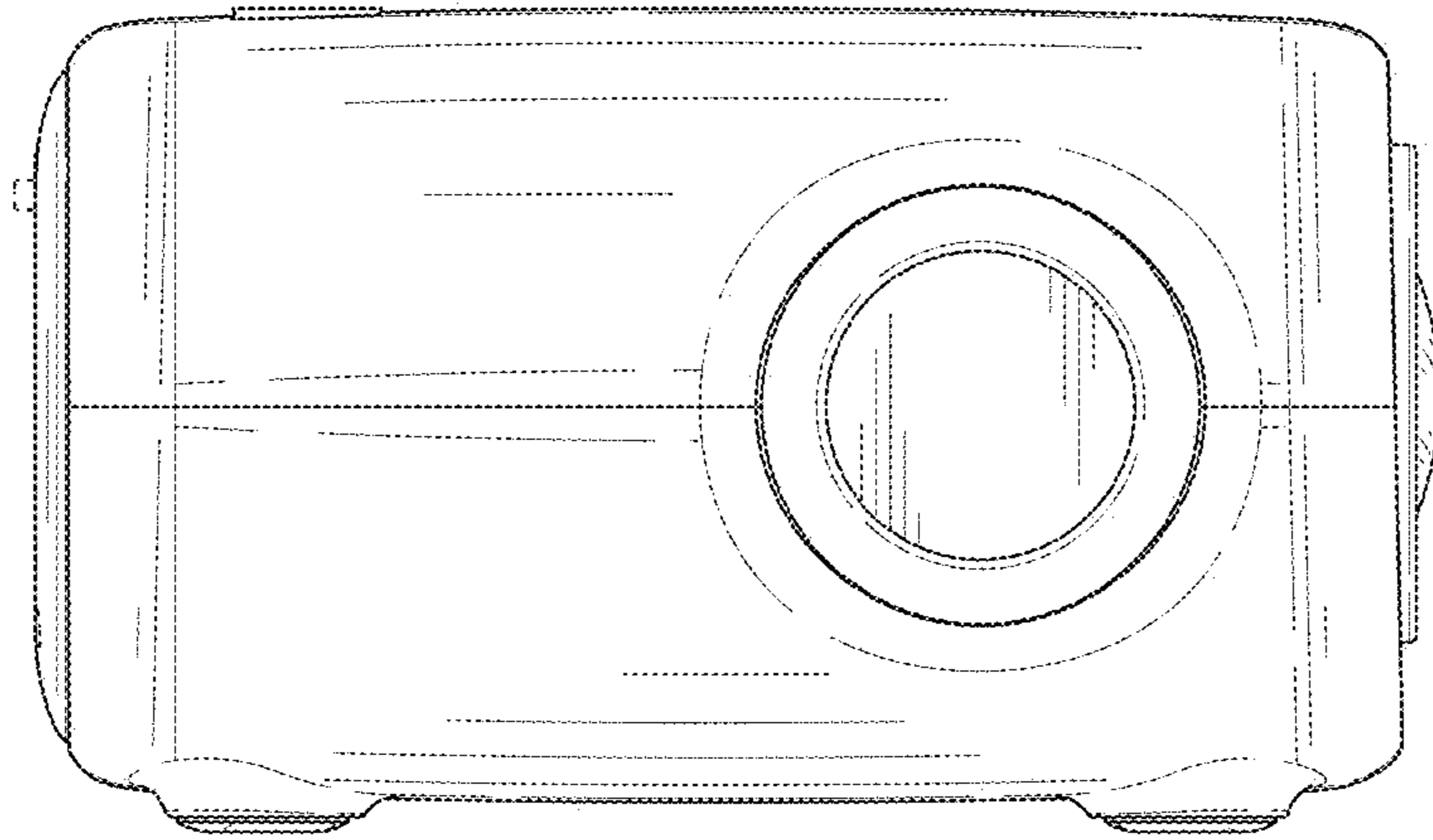


FIG. 5

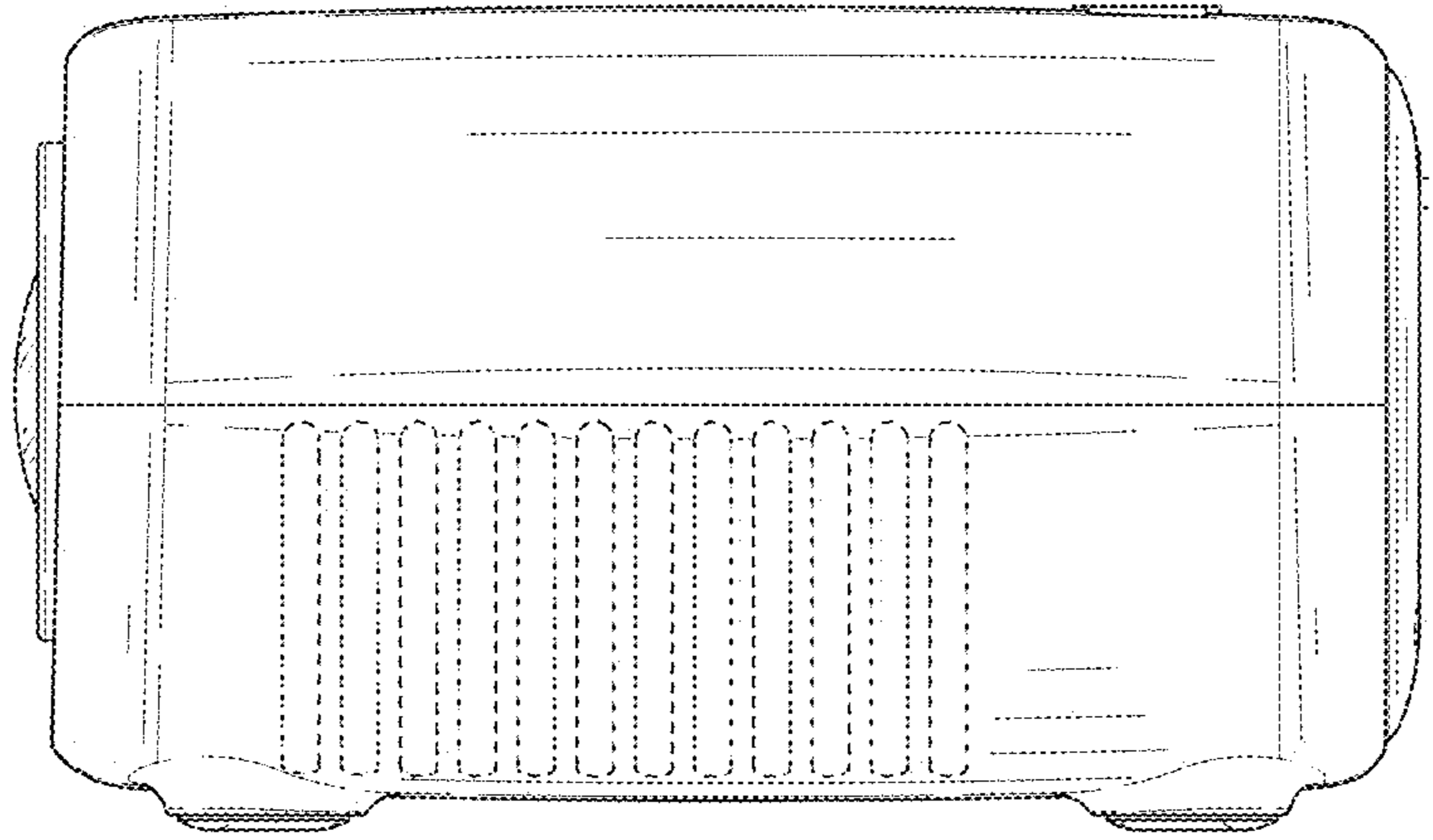


FIG. 6

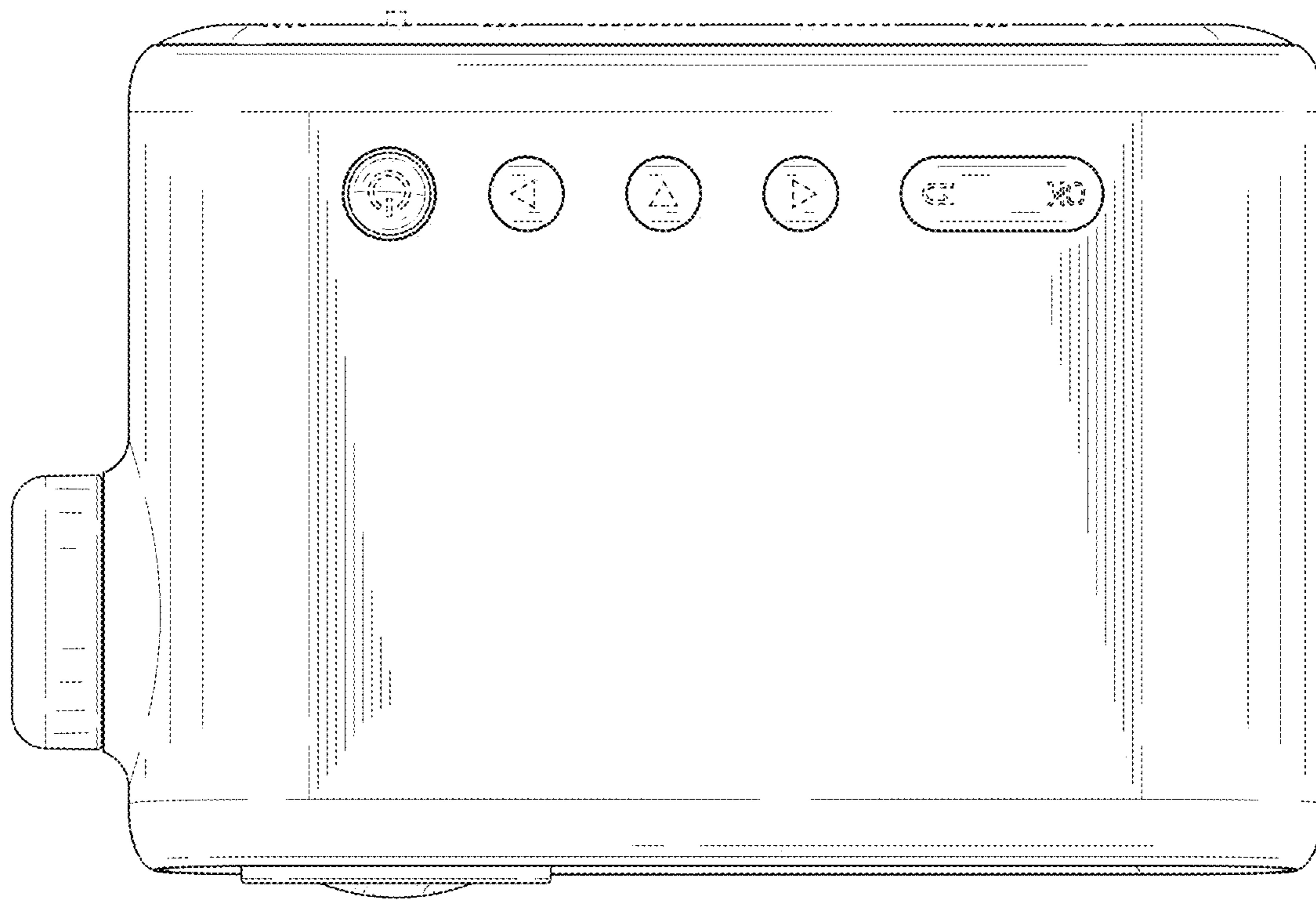


FIG. 7



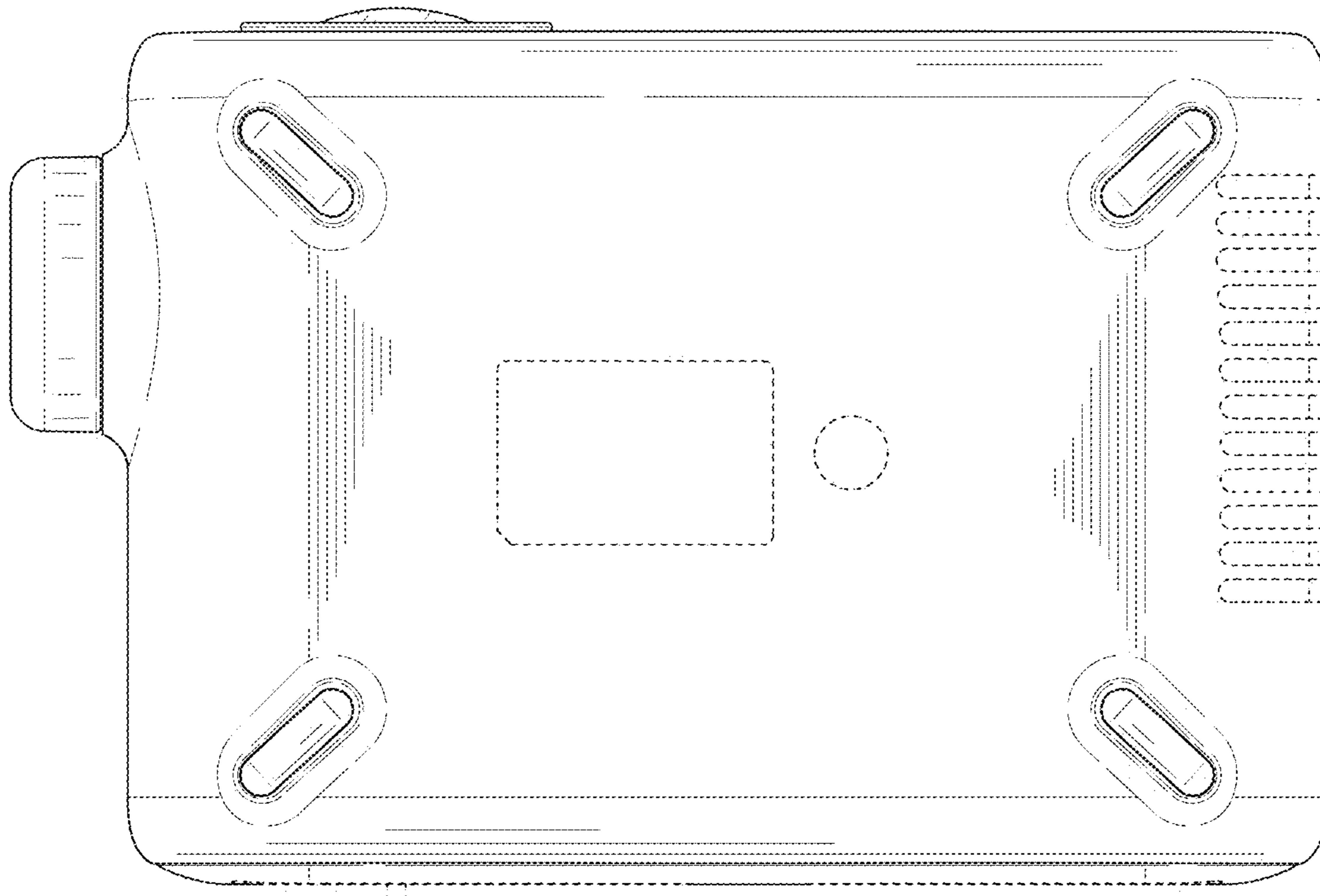


FIG. 8

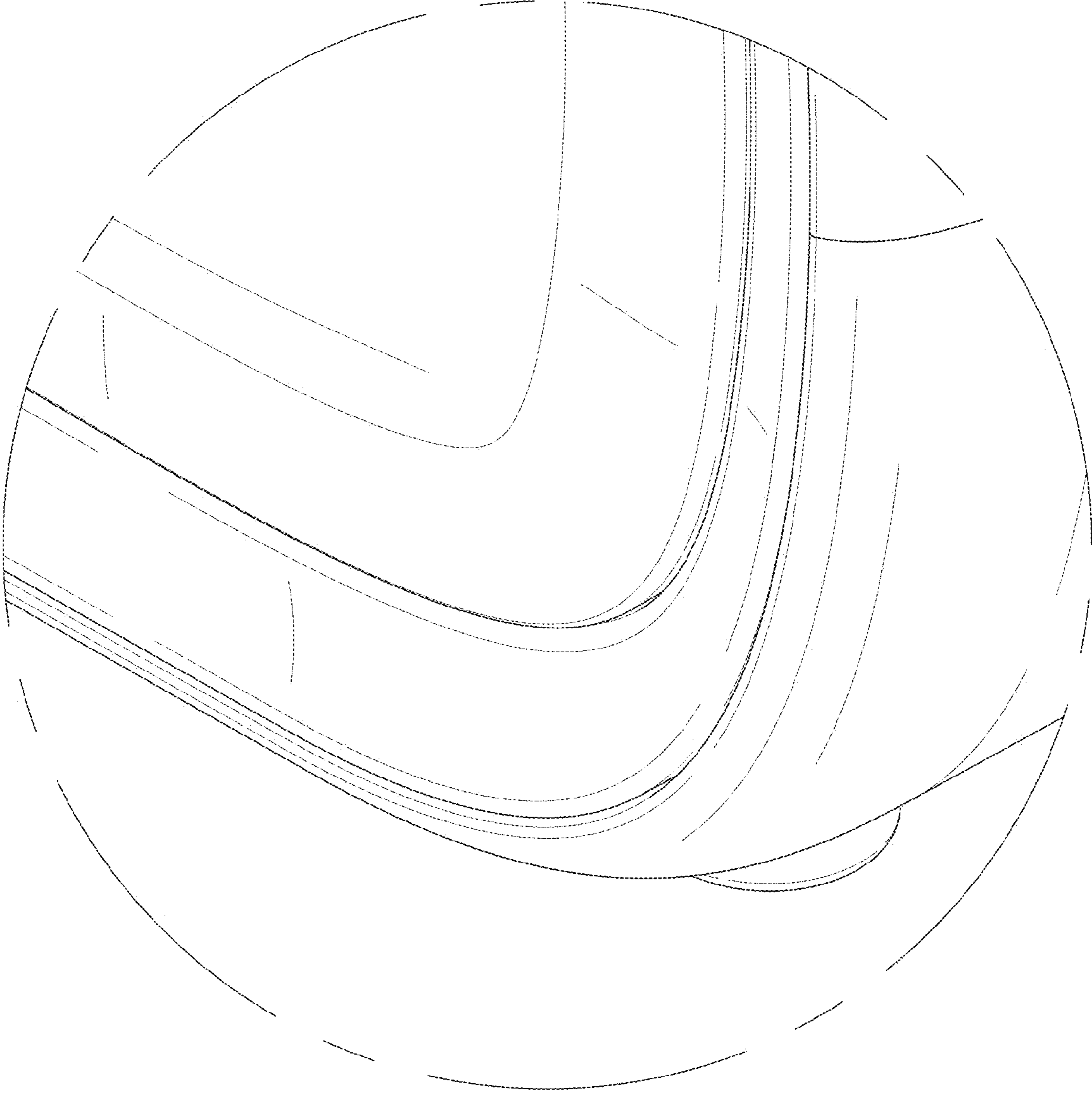


FIG. 9