



US00D936719S

(12) **United States Design Patent** (10) **Patent No.:** **US D936,719 S**  
**Mok et al.** (45) **Date of Patent:** **\*\* Nov. 23, 2021**

(54) **HOME HUB ROBOT** D473,354 S \* 4/2003 Kato ..... D32/1  
6,561,294 B1 \* 5/2003 Kamen ..... B62D 37/00  
180/21  
(71) Applicant: **LG ELECTRONICS INC.**, Seoul 6,907,949 B1 \* 6/2005 Wang ..... B60L 50/66  
(KR) 180/65.51  
(72) Inventors: **Eunsil Mok**, Seoul (KR); **Jinsu Kim**, D524,495 S \* 7/2006 Ljunggren ..... D32/21  
Seoul (KR); **Taewoo Yoo**, Seoul (KR); D527,854 S \* 9/2006 Marzynski ..... D15/199  
**Yousook Eun**, Seoul (KR); **Soonho** 7,171,286 B2 \* 1/2007 Wang ..... G16H 40/67  
**Jung**, Seoul (KR); **Hana Choi**, Seoul (KR) 700/248  
D548,411 S \* 8/2007 Schroter ..... D32/21  
D548,902 S \* 8/2007 Chun ..... D32/21  
D549,756 S \* 8/2007 Park ..... D15/199  
D551,815 S \* 9/2007 Schroeter ..... D32/21  
(73) Assignee: **LG ELECTRONICS INC.**, Seoul D555,305 S \* 11/2007 Chun ..... D32/21  
(KR) D555,307 S \* 11/2007 Chun ..... D32/31  
D556,961 S \* 12/2007 Swyst ..... D15/199  
(\*\*) Term: **15 Years** (Continued)

(21) Appl. No.: **35/509,284**  
(22) Filed: **Feb. 20, 2019**

(80) **Hague Agreement Data**  
Int. Filing Date: **Feb. 20, 2019**  
Int. Reg. No.: **DM/207739**  
Int. Reg. Date: **Feb. 20, 2019**  
Int. Reg. Pub. Date: **May 8, 2020**

(51) **LOC (13) Cl.** ..... **15-05**  
(52) **U.S. Cl.**  
USPC ..... **D15/199**  
CPC ..... **B25J 11/009** (2013.01)  
(58) **Field of Classification Search**  
USPC ..... D15/199; D21/578-583, 621, 622  
CPC ..... B25J 11/009; G05D 1/024; G05D 1/027;  
G05D 1/0011; G05D 1/0227; G05D  
1/0242; G05D 1/0246; G05D 1/0255;  
G05D 1/0272; G05D 1/0274; G05D  
2201/0206; G05D 2201/0211  
See application file for complete search history.

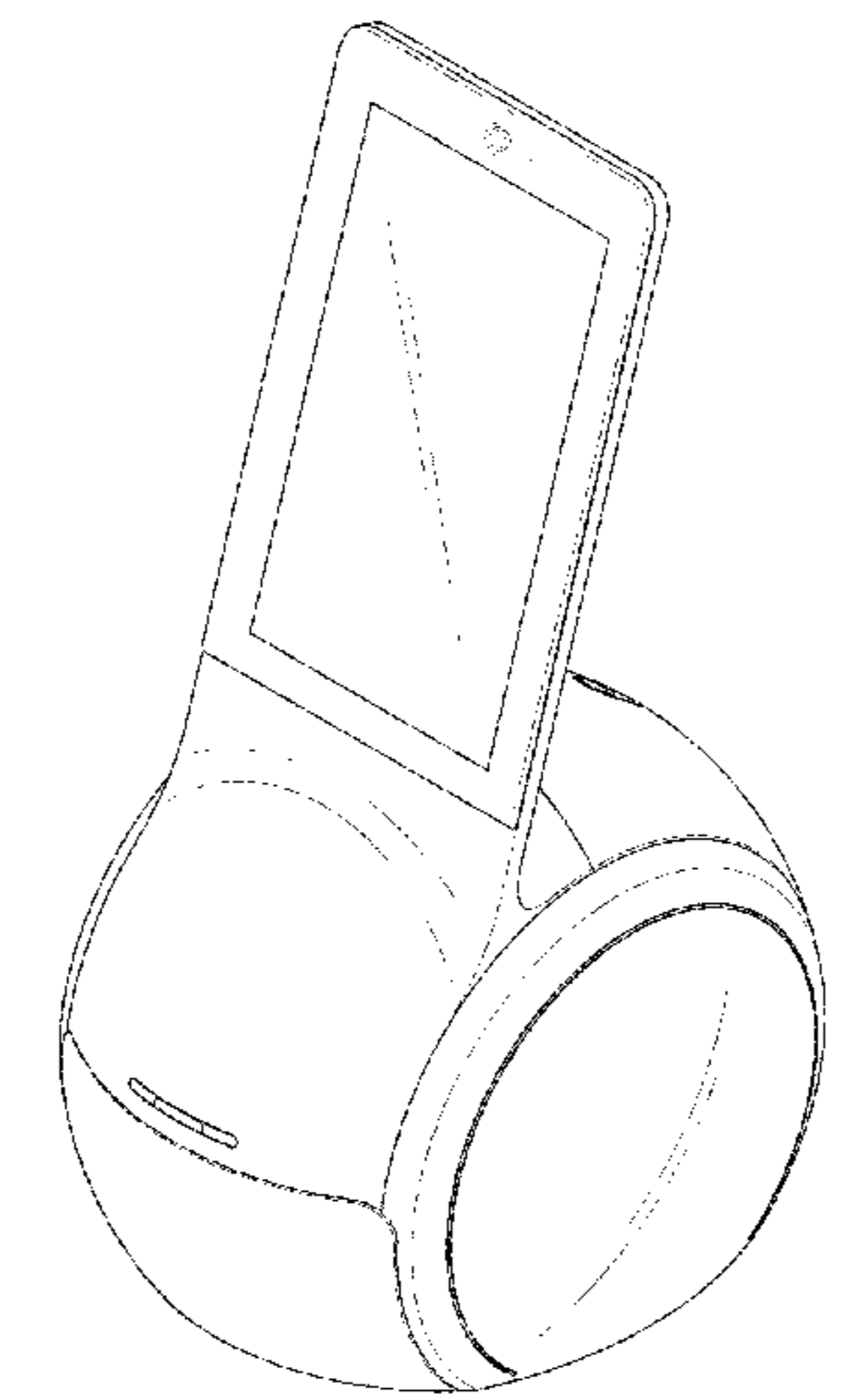
(56) **References Cited**  
U.S. PATENT DOCUMENTS  
D314,401 S \* 2/1991 Lehman ..... D20/3  
D453,402 S \* 2/2002 Kato ..... D32/1

*Primary Examiner* — Richard E Chilcot  
(74) *Attorney, Agent, or Firm* — Birch, Stewart, Kolasch  
& Birch, LLP

(57) **CLAIM**  
The ornamental design for a home hub robot, as shown and described.

**DESCRIPTION**  
1. Home hub robot  
**1.1** : Perspective  
**1.2** : Front  
**1.3** : Back  
**1.4** : Left  
**1.5** : Right  
**1.6** : Top  
**1.7** : Bottom  
**1.8** : Left, showing the home hub robot with environment  
**1.9** : Perspective, showing the home hub robot with environment  
The broken lines shown in reproduction **1.9** indicate portions of the home hub robot that form no part of the claimed design. The broken line showing of a driving robot module in reproductions **1.8** and **1.9** is provided for the purpose of illustrating environment of the home hub robot and forms no part of the claimed design.

**1 Claim, 9 Drawing Sheets**



(56)

## References Cited

## U.S. PATENT DOCUMENTS

D572,739	S *	7/2008	Jennings	.....	D15/199
D579,035	S *	10/2008	Kim	.....	B25J 11/008 D15/199
7,441,298	B2 *	10/2008	Svendsen	.....	G05D 1/0242 15/49.1
D586,959	S *	2/2009	Geringer	.....	D32/21
D593,265	S *	5/2009	Carr	.....	D32/21
D594,492	S *	6/2009	Stratton	.....	D15/199
D596,815	S *	7/2009	Baek	.....	D32/21
D608,804	S *	1/2010	Labak	.....	D15/199
7,703,568	B2 *	4/2010	Ishii	.....	G05D 1/0891 180/218
7,784,206	B2 *	8/2010	Trainer	.....	G09F 15/0087 40/586
D627,377	S *	11/2010	Wiley	.....	D15/199
7,832,048	B2 *	11/2010	Harwig	.....	G05D 1/0272 15/320
D644,256	S *	8/2011	Kitano	.....	D15/199
D658,341	S *	4/2012	Nam	.....	D32/21
D659,311	S *	5/2012	Geringer	.....	D32/21
D659,920	S *	5/2012	Lee	.....	D32/21
D660,530	S *	5/2012	Geringer	.....	D32/21
D661,032	S *	5/2012	Lee	.....	D32/21
D661,439	S *	6/2012	Lee	.....	D32/21
D661,440	S *	6/2012	Lee	.....	D32/21
8,201,653	B2 *	6/2012	Strassman	.....	B60N 2/002 180/218
D665,547	S *	8/2012	Nam	.....	D32/21
D669,235	S *	10/2012	Bassett	.....	D32/21
D670,877	S *	11/2012	Geringer	.....	D32/21
8,370,985	B2 *	2/2013	Schnittman	.....	A47L 11/302 15/41.1
D690,478	S *	9/2013	Li	.....	D32/21
D691,337	S *	10/2013	Kim	.....	D32/21
8,584,307	B2 *	11/2013	Won	.....	G05D 1/0225 15/319
8,627,542	B2 *	1/2014	Kim	.....	A47L 9/14 15/319
D701,256	S *	3/2014	Song	.....	D15/199
D704,400	S *	5/2014	Shin	.....	D32/21
8,800,697	B2 *	8/2014	Hoffmann	.....	B62J 25/00 180/21
D720,510	S *	12/2014	Shin	.....	D32/21
D720,511	S *	12/2014	Shin	.....	D32/21
D722,631	S *	2/2015	Stone	.....	D15/199
D722,632	S *	2/2015	Stone	.....	D15/199
D725,167	S *	3/2015	Song	.....	D15/199
D732,096	S *	6/2015	Jang	.....	D15/199
D734,576	S *	7/2015	Dooley	.....	D32/31
D734,907	S *	7/2015	Dooley	.....	D32/31
D735,258	S *	7/2015	Jang	.....	D15/199
9,085,334	B2 *	7/2015	Hoffmann	.....	B60L 7/12
D737,006	S *	8/2015	Heck	.....	D32/21
D737,008	S *	8/2015	Cheon	.....	D32/31
D738,585	S *	9/2015	Dooley	.....	D32/31
D739,450	S *	9/2015	Jain	.....	D15/199
D743,393	S *	11/2015	Lim	.....	D14/344
D743,644	S *	11/2015	Heck	.....	D32/31
D743,645	S *	11/2015	Lee	.....	D32/21
D743,646	S *	11/2015	Fjellman	.....	D32/21
D743,647	S *	11/2015	Heck	.....	D32/21
D744,181	S *	11/2015	Cheon	.....	D32/31
D744,183	S *	11/2015	Cheon	.....	D32/31
9,188,984	B2 *	11/2015	Kamen	.....	B62K 11/007
D744,705	S *	12/2015	Fjellman	.....	D32/21
D744,706	S *	12/2015	Heck	.....	D32/21
D744,709	S *	12/2015	Cheon	.....	D32/31
D745,005	S *	12/2015	Kim	.....	D14/344
D745,233	S *	12/2015	Choi	.....	D32/31
D745,757	S *	12/2015	Choi	.....	D32/21
D746,005	S *	12/2015	Cheon	.....	D32/21
D748,878	S *	2/2016	Dooley	.....	D32/21
D751,259	S *	3/2016	Fjellman	.....	D32/21
D751,260	S *	3/2016	Kim	.....	D32/21
D751,777	S *	3/2016	Cheon	.....	D32/21
D752,300	S *	3/2016	Cheon	.....	D32/31
D752,668	S *	3/2016	Pedersen	.....	D15/199
D756,577	S *	5/2016	Fjellman	.....	D32/21
D759,623	S *	6/2016	Dahlberg	.....	D14/138 R
D760,717	S *	7/2016	Solomon	.....	D14/344
D761,339	S *	7/2016	White, Jr.	.....	D15/199
D761,507	S *	7/2016	Heck	.....	D32/31
D766,524	S *	9/2016	Ochi	.....	D32/21
D771,885	S *	11/2016	Caruso	.....	D32/21
D773,758	S *	12/2016	Caruso	.....	D32/21
9,545,963	B2 *	1/2017	Kamen	.....	B60G 11/14
D778,514	S *	2/2017	Park	.....	D32/21
D785,259	S *	4/2017	Wo	.....	D32/31
D798,007	S *	9/2017	Wo	.....	D32/21
D802,040	S *	11/2017	Canoso	.....	D15/199
D805,568	S *	12/2017	Ke	.....	D15/199
D810,167	S *	2/2018	Yang	.....	D15/199
D810,799	S *	2/2018	Sokuza	.....	D15/199
D810,800	S *	2/2018	Wang	.....	D15/199
D811,458	S *	2/2018	Wang	.....	D15/199
D813,281	S *	3/2018	Kittmann	.....	D15/199
D816,119	S *	4/2018	Pu	.....	D15/1
D816,778	S *	5/2018	Yang	.....	D21/421
D817,375	S *	5/2018	Deyle	.....	D15/199
D818,020	S *	5/2018	McGinn	.....	D15/199
D818,226	S *	5/2018	Nam	.....	D32/21
D819,711	S *	6/2018	Li	.....	D15/199
D819,712	S *	6/2018	Gee	.....	D15/199
D820,157	S *	6/2018	Chen	.....	D12/1
D820,334	S *	6/2018	Lee	.....	D15/199
D822,736	S *	7/2018	Kato	.....	D15/199
D822,737	S *	7/2018	Kato	.....	D15/199
D822,738	S *	7/2018	Kato	.....	D15/199
D823,366	S *	7/2018	Kato	.....	D15/199
D824,976	S *	8/2018	Makela	.....	D15/199
D826,302	S *	8/2018	Tsukamoto	.....	D15/199
D828,660	S *	9/2018	Jang	.....	D32/21
D829,250	S *	9/2018	Zilbershtein	.....	D15/199
D829,251	S *	9/2018	Wang	.....	D15/199
D829,252	S *	9/2018	Wang	.....	D15/199
D829,793	S *	10/2018	Wang	.....	D15/199
D834,080	S *	11/2018	Tsukamoto	.....	D15/199
D835,544	S *	12/2018	Liu	.....	D12/1
D837,855	S *	1/2019	Chen	.....	D15/199
D839,940	S *	2/2019	McGinn	.....	D15/199
D840,451	S *	2/2019	Yoo	.....	D15/199
D840,452	S *	2/2019	Yoo	.....	D15/199
D840,453	S *	2/2019	Yoo	.....	D15/199
D840,618	S *	2/2019	Kim	.....	D32/21
D840,619	S *	2/2019	Kim	.....	D32/21
D840,620	S *	2/2019	Kim	.....	D32/21
D841,067	S *	2/2019	Camporesi	.....	D15/199
D841,711	S *	2/2019	Liu	.....	D15/199
D843,428	S *	3/2019	Gee	.....	D15/199
D846,616	S *	4/2019	Deyle	.....	D15/199
D849,813	S *	5/2019	Sutherland	.....	D15/199
D852,860	S *	7/2019	Lee	.....	D15/199
D852,861	S *	7/2019	Lee	.....	D15/199
D854,595	S *	7/2019	Gayne	.....	D15/199
D855,673	S *	8/2019	Sutherland	.....	D15/199
D856,389	S *	8/2019	Gayne	.....	D15/199
D856,849	S *	8/2019	Makela	.....	D12/86
D857,073	S *	8/2019	Gayne	.....	D15/199
D857,074	S *	8/2019	Kim	.....	D15/199
D859,485	S *	9/2019	Sutherland	.....	D15/199
D862,551	S *	10/2019	Chen	.....	D15/199
D863,387	S *	10/2019	Wang	.....	D15/199
D864,270	S *	10/2019	Hu	.....	D15/199
D864,271	S *	10/2019	Lai	.....	D15/199
D865,021	S *	10/2019	Hu	.....	D15/199
D866,628	S *	11/2019	Xi	.....	D15/199
D868,863	S *	12/2019	Makela	.....	D15/199
D868,864	S *	12/2019	Lachenmeier	.....	D15/199
D869,461	S *	12/2019	Ke	.....	D14/344
D869,462	S *	12/2019	Ke	.....	D14/344
D869,533	S *	12/2019	Kim	.....	D15/199
D870,401	S *	12/2019	Supron	.....	D32/21
D870,787	S *	12/2019	Kim	.....	D15/199

(56)

References Cited

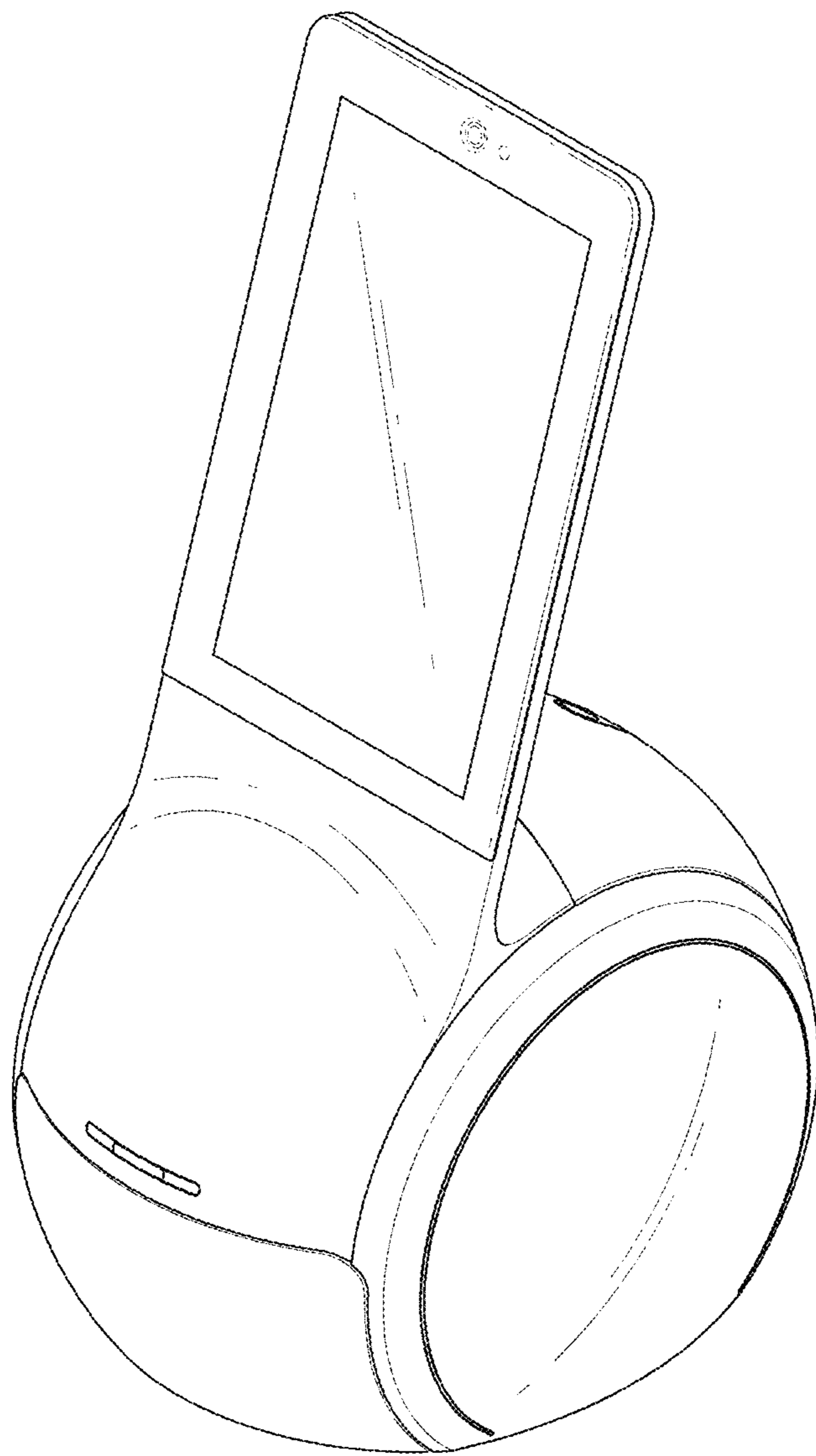
U.S. PATENT DOCUMENTS

D870,788 S \* 12/2019 Kim ..... D15/199  
 D871,475 S \* 12/2019 Kolb ..... D15/199  
 D871,476 S \* 12/2019 Kolb ..... D15/199  
 D871,477 S \* 12/2019 Kolb ..... D15/199  
 D871,478 S \* 12/2019 Wang ..... D15/199  
 D872,788 S \* 1/2020 Sutherland ..... D15/199  
 D873,738 S \* 1/2020 Armigliato ..... D12/174  
 D877,786 S \* 3/2020 Gayne ..... D15/199  
 D877,994 S \* 3/2020 Kim ..... D32/21  
 D879,173 S \* 3/2020 Wang ..... D15/199  
 D880,550 S \* 4/2020 Sokuza ..... D15/199  
 D881,961 S \* 4/2020 Bergeron ..... D15/199  
 D884,043 S \* 5/2020 Song ..... D15/199  
 D887,468 S \* 6/2020 Hirvesaar ..... D15/199  
 D901,110 S \* 11/2020 Li ..... D32/21  
 2005/0134014 A1\* 6/2005 Xie ..... B62D 51/02  
 280/93.502  
 2006/0202439 A1\* 9/2006 Kahlert ..... B62K 11/007  
 280/47.24  
 2006/0236492 A1\* 10/2006 Sudo ..... A47L 11/4044  
 15/319  
 2006/0288519 A1\* 12/2006 Jaworski ..... A47L 11/4083  
 15/340.1  
 2007/0266508 A1\* 11/2007 Jones ..... A47L 9/0477  
 15/49.1

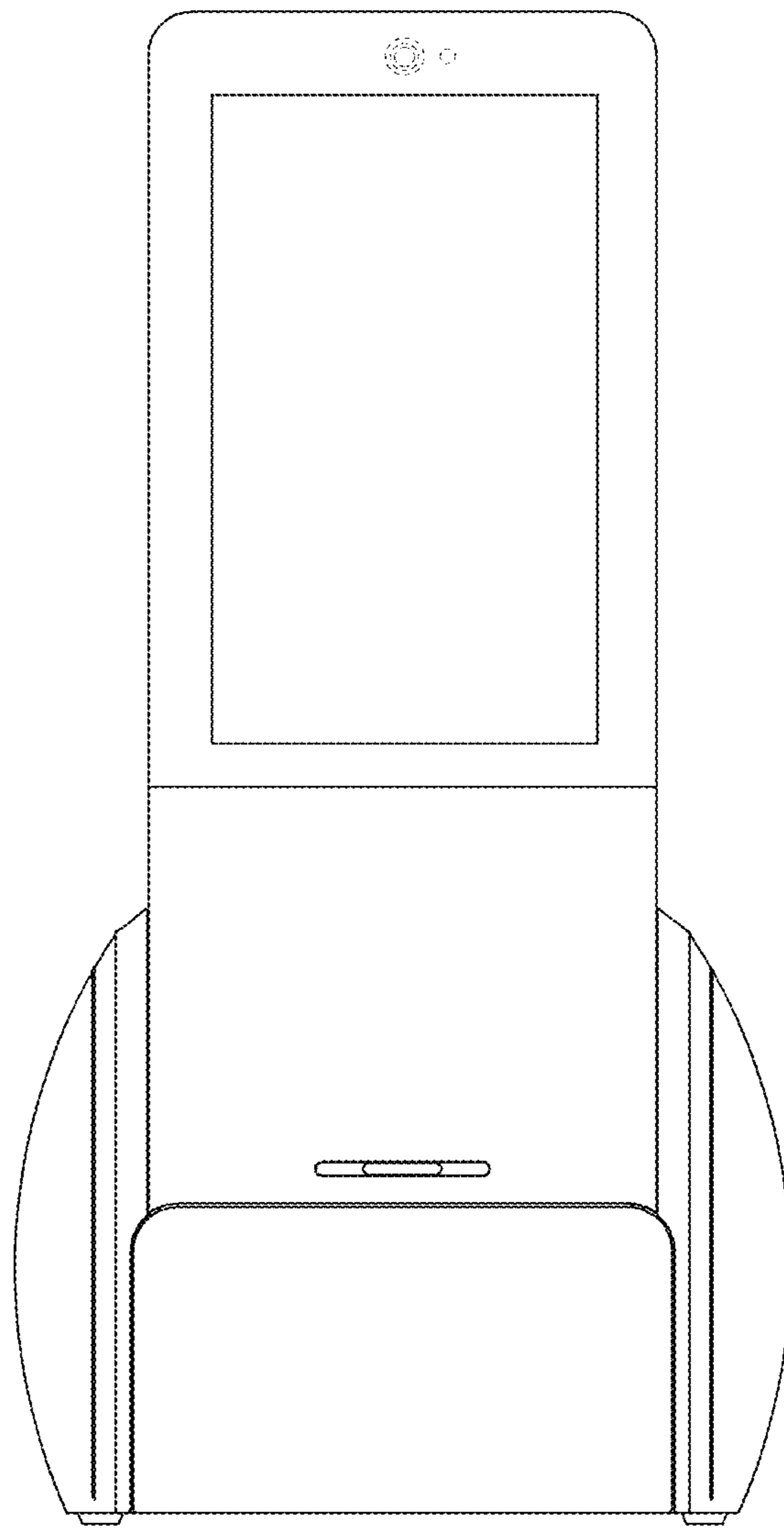
2011/0191976 A1\* 8/2011 Yan ..... A47L 11/4002  
 15/319  
 2012/0023699 A1\* 2/2012 Shim ..... A47L 9/1454  
 15/319  
 2012/0047676 A1\* 3/2012 Jung ..... A47L 9/30  
 15/319  
 2012/0084934 A1\* 4/2012 Li ..... A47L 11/33  
 15/319  
 2012/0317744 A1\* 12/2012 Gilbert, Jr. .... A47L 11/4027  
 15/319  
 2012/0317745 A1\* 12/2012 Jung ..... A47L 11/4052  
 15/319  
 2013/0025085 A1\* 1/2013 Kim ..... A47L 9/2857  
 15/319  
 2013/0061417 A1\* 3/2013 Vanderstegen-Drake .....  
 A47L 9/1409  
 15/319  
 2013/0086760 A1\* 4/2013 Han ..... A47L 11/4058  
 15/49.1  
 2013/0152332 A1\* 6/2013 Jang ..... A47L 9/0488  
 15/319  
 2013/0305484 A1\* 11/2013 Dyson ..... A47L 9/1616  
 15/353  
 2013/0340201 A1\* 12/2013 Jang ..... A47L 9/009  
 15/319

\* cited by examiner

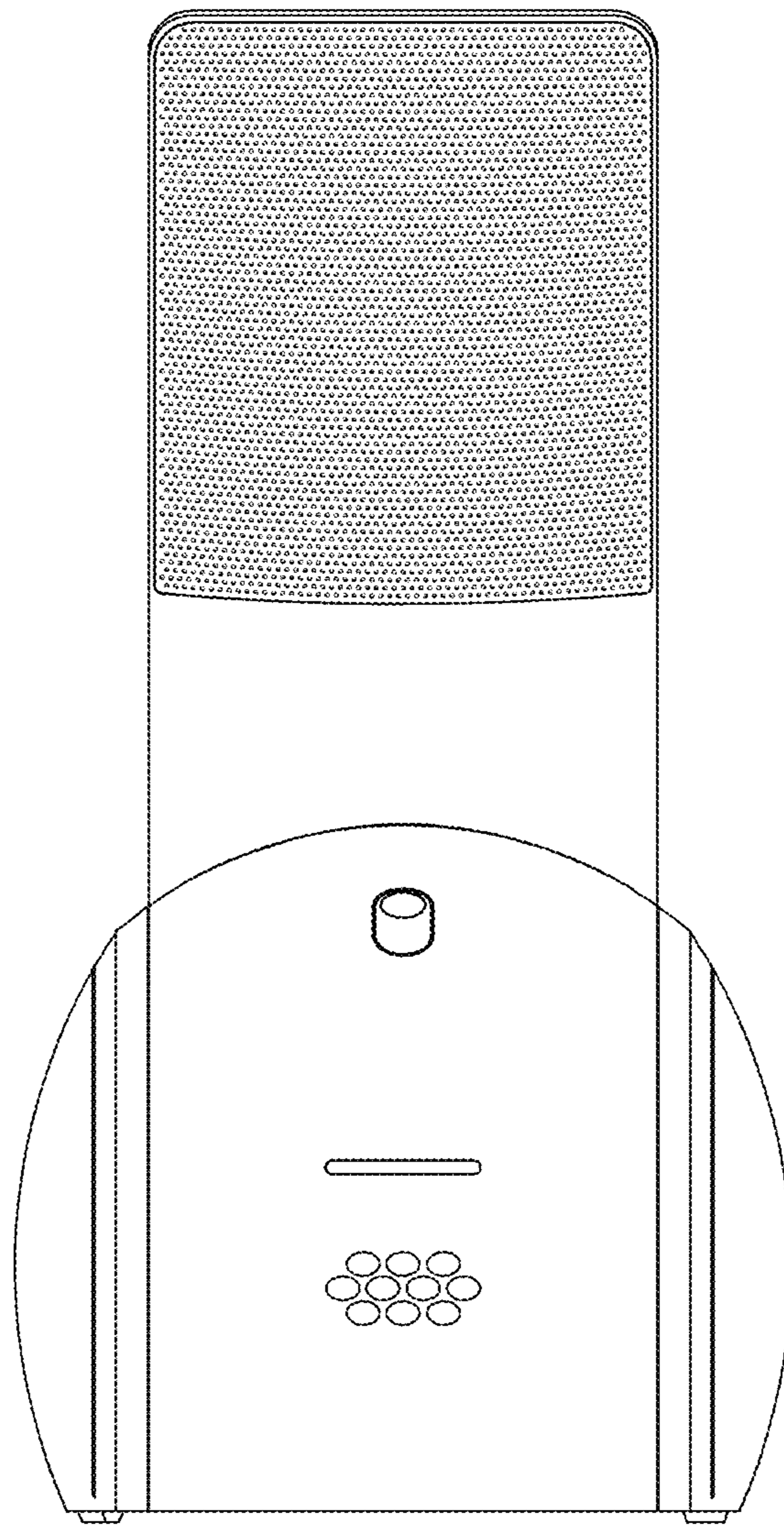
1.1



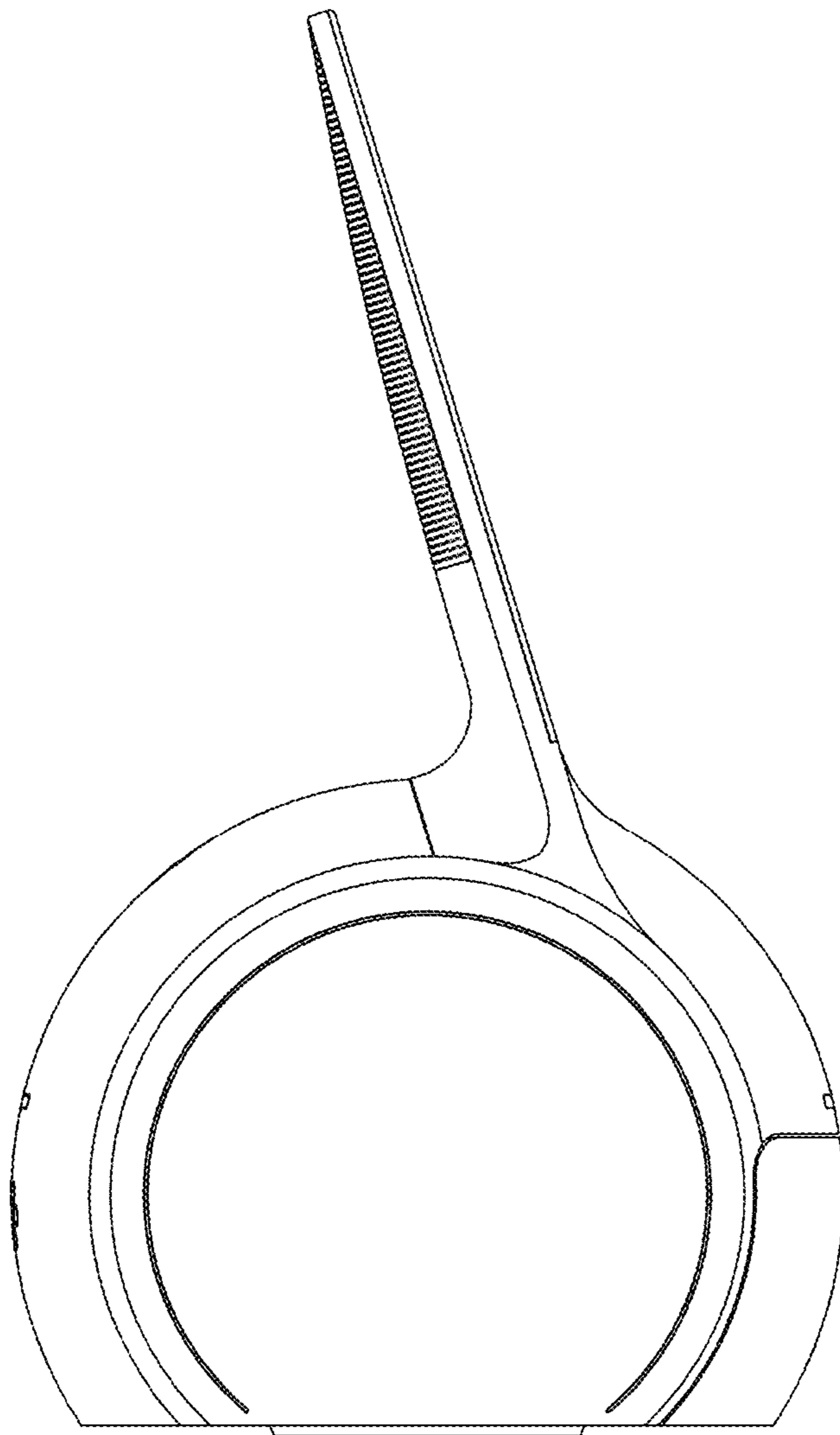
1.2



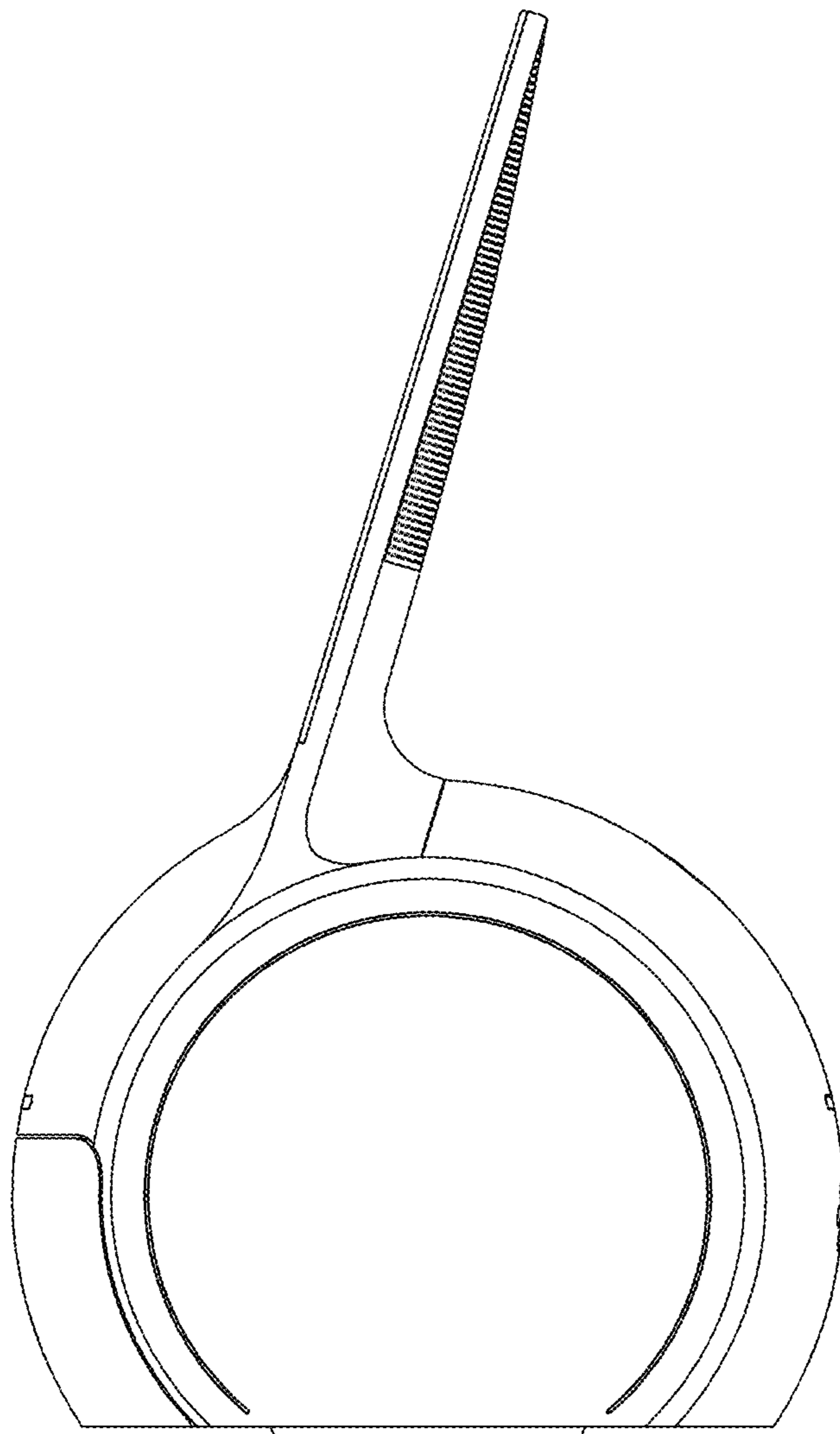
1.3



1.4

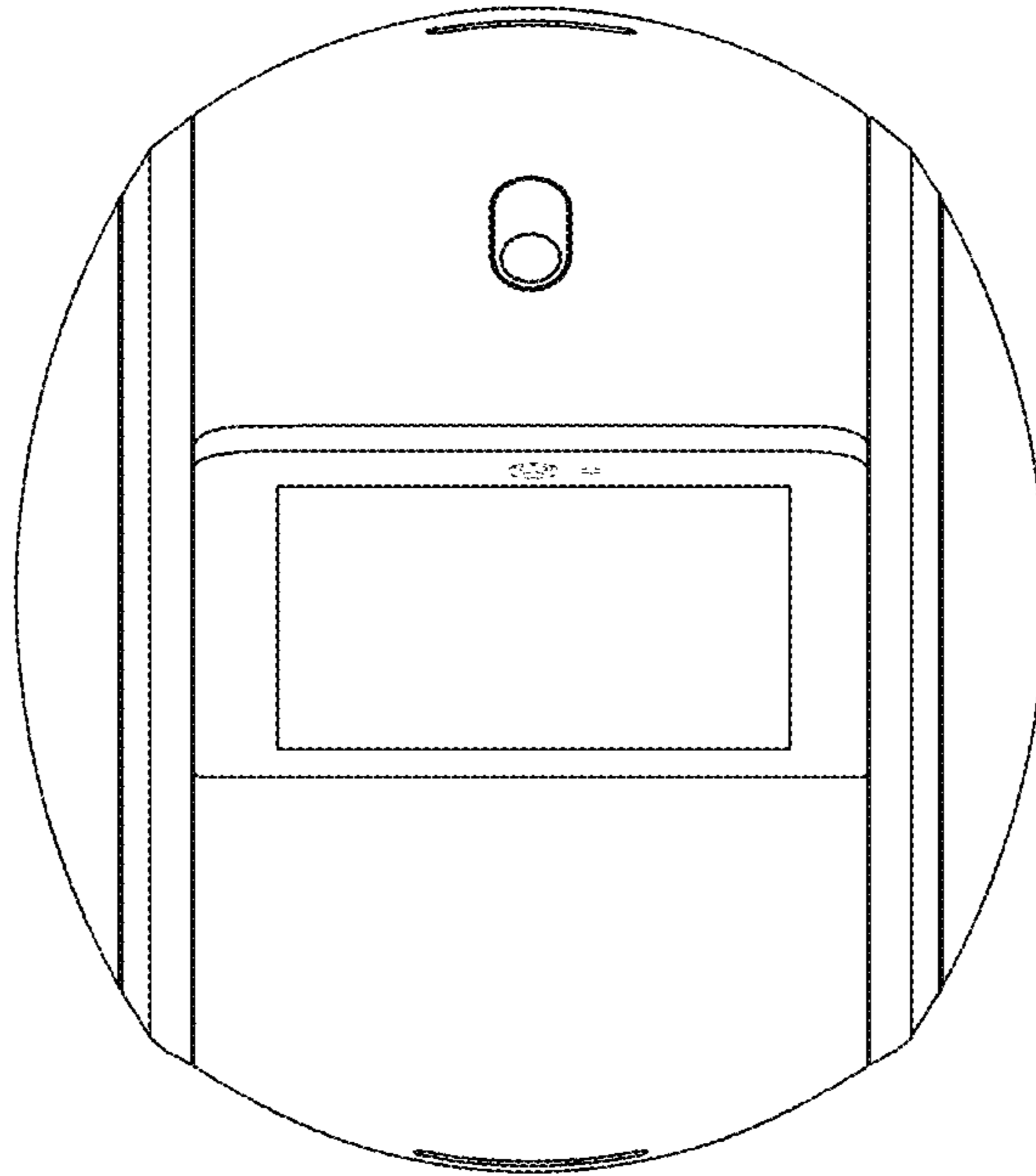


1.5

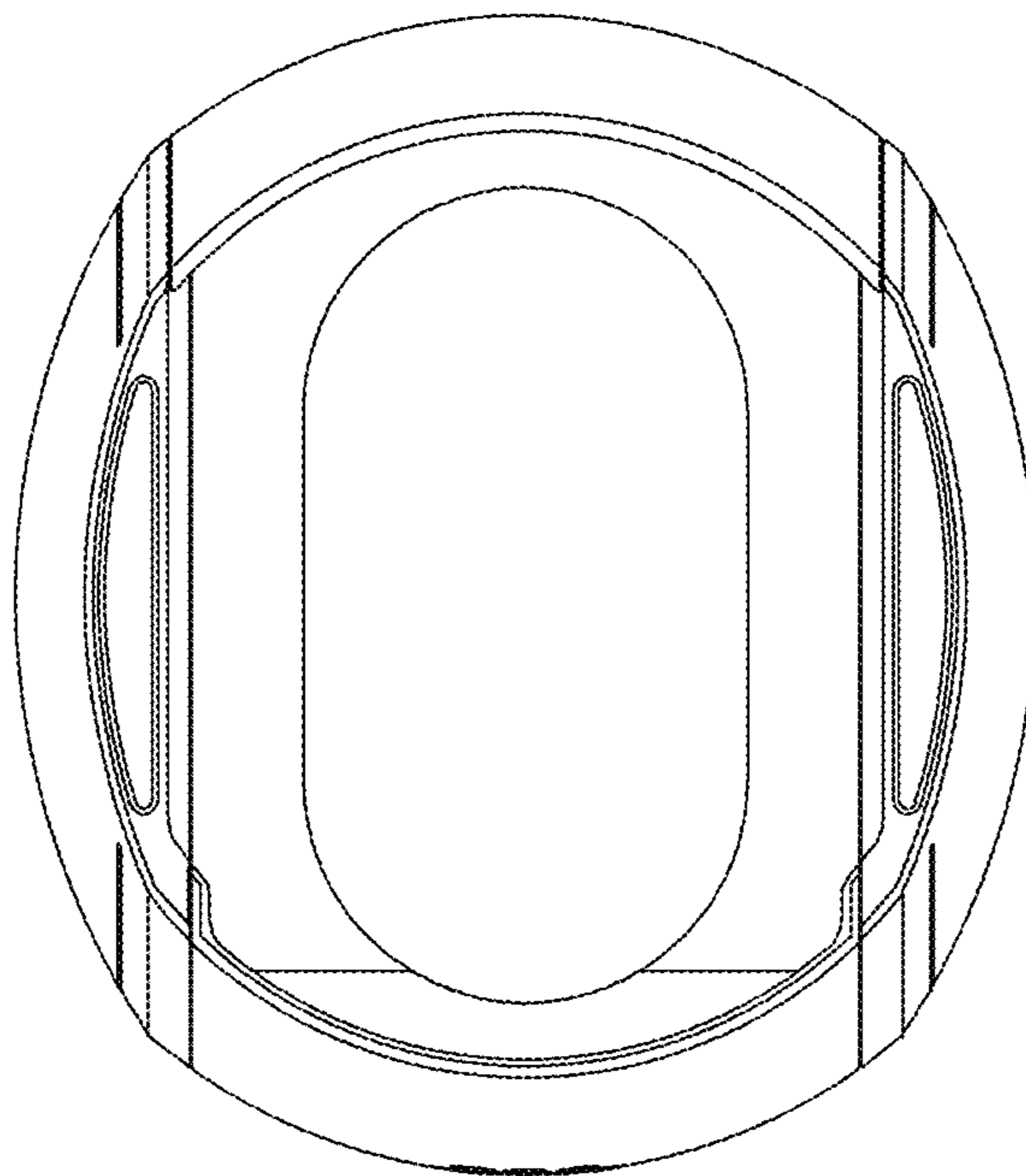




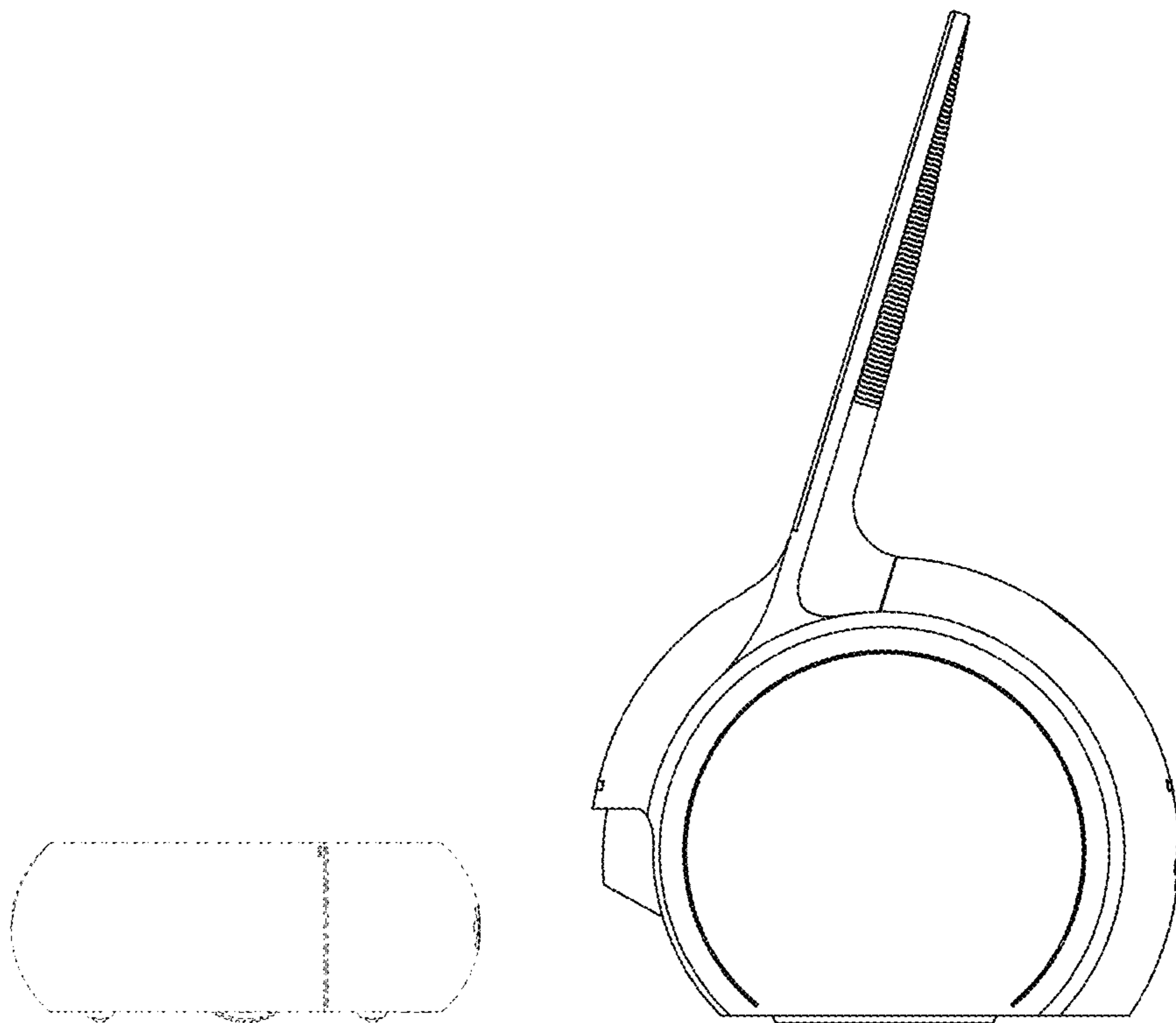
1.6



1.7



1.8



1.9

