



US00D936718S

(12) **United States Design Patent**
Schildmeier

(10) **Patent No.:** **US D936,718 S**

(45) **Date of Patent:** **** Nov. 23, 2021**

- (54) **ENGINE OIL DRIP CATCHER**
- (71) Applicant: **Eugene Schildmeier**, Anderson, IN (US)
- (72) Inventor: **Eugene Schildmeier**, Anderson, IN (US)
- (**) Term: **15 Years**
- (21) Appl. No.: **29/729,564**
- (22) Filed: **Mar. 27, 2020**
- (51) **LOC (13) Cl.** **09-09**
- (52) **U.S. Cl.**
USPC **D15/152**
- (58) **Field of Classification Search**
USPC D15/150, 151, 152
CPC .. F16N 31/002; F16N 31/006; F01M 11/0004
See application file for complete search history.

- D398,619 S * 9/1998 Yevcak D15/150
- 5,839,531 A * 11/1998 McGee F16N 31/006
180/69.1
- 5,960,907 A * 10/1999 Chau B67C 11/00
141/114
- 5,967,200 A * 10/1999 Hall F16N 31/006
141/114
- D423,531 S * 4/2000 Becker D15/150
- 6,588,463 B2 * 7/2003 Swan B67C 11/02
141/106
- 6,945,362 B1 * 9/2005 Sumpster, Sr. F16N 31/002
184/106
- 7,469,784 B1 * 12/2008 Bower F16N 31/002
141/319
- D637,636 S * 5/2011 Liao D15/150
- D641,385 S * 7/2011 Armstrong D15/150

(Continued)

Primary Examiner — Patricia A Palasik
(74) *Attorney, Agent, or Firm* — John D Ritchison;
Ritchison Law Offices, PC

(56) **References Cited**

U.S. PATENT DOCUMENTS

- 1,427,377 A * 8/1922 Graves F01M 9/06
184/13.1
- 2,783,848 A * 3/1957 Beskid F16N 31/006
180/69.1
- 3,169,605 A * 2/1965 Ashmead F16N 31/002
184/106
- D230,964 S * 3/1974 Blackmore D15/152
- D248,637 S * 7/1978 Bishop D15/152
- 4,789,017 A * 12/1988 Panasewicz B67B 7/28
141/311 R
- D307,623 S * 5/1990 Carbonell D23/200
- 4,938,184 A * 7/1990 Martin F01M 11/0004
123/195 C
- D341,366 S * 11/1993 Tricarico D15/150
- D350,969 S * 9/1994 Chrisco D15/150
- D359,293 S * 6/1995 Graham D15/150
- D370,227 S * 5/1996 Mosley D15/150
- 5,526,900 A * 6/1996 Mason F16N 31/006
141/86

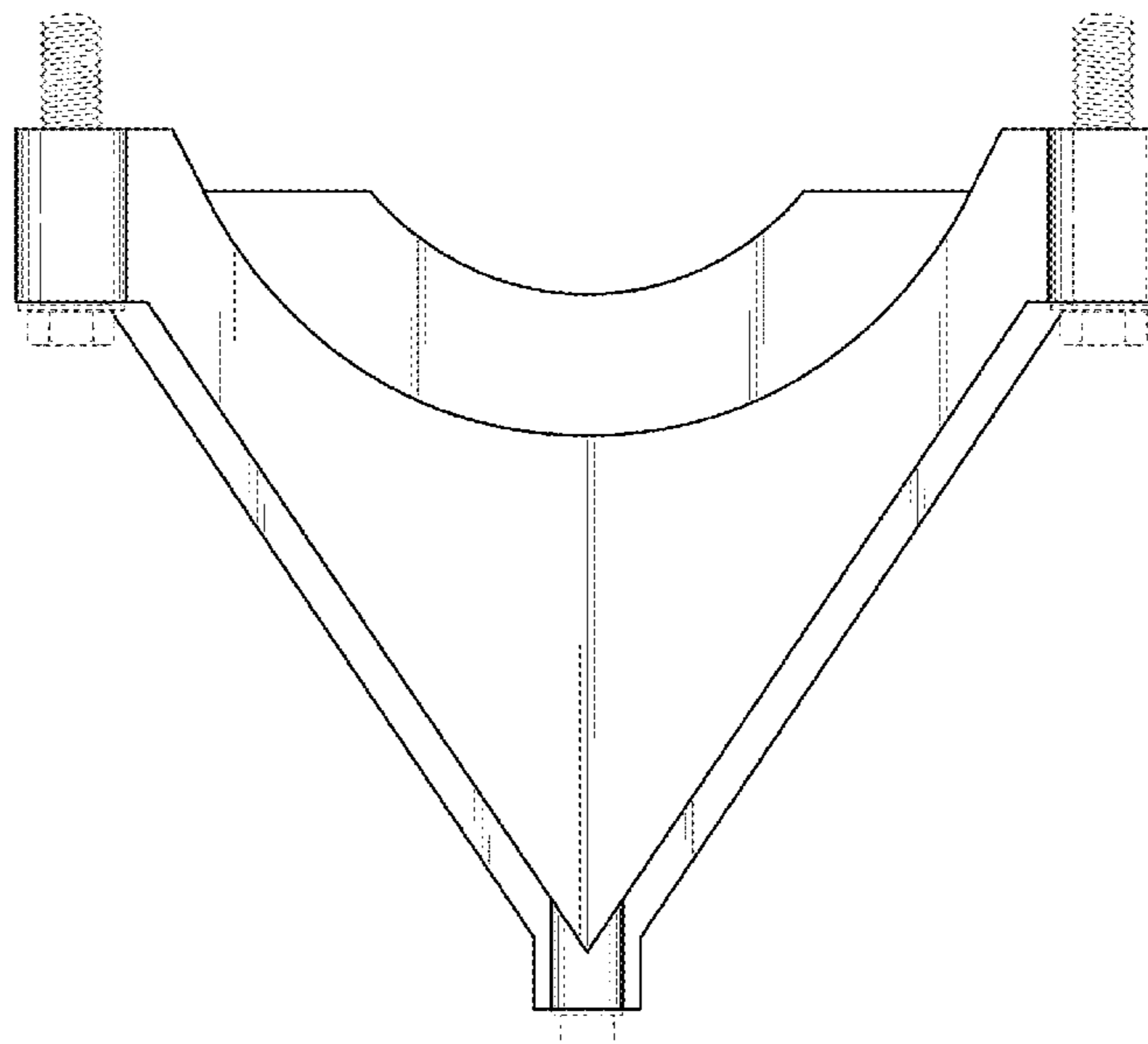
(57) **CLAIM**

I claim the ornamental design for an engine oil drip catcher, as shown and described.

DESCRIPTION

FIG. 1 is a Front Perspective View of an engine oil drip catcher;
FIG. 2 is a Rear Perspective View thereof;
FIG. 3 is a Front View thereof;
FIG. 4 is a Rear View thereof;
FIG. 5 is a Left Side View thereof;
FIG. 6 is a Right Side view thereof;
FIG. 7 is a Top view thereof; and,
FIG. 8 is a Bottom view thereof.
The broken lines showing of the fasteners and plug are provided for purposes of environment and forms no part of the claimed design.

1 Claim, 8 Drawing Sheets



(56)

References Cited

U.S. PATENT DOCUMENTS

D660,892 S * 5/2012 Tomlinson D15/152
8,776,757 B2 * 7/2014 Goerend F01M 11/04
123/195 C
D734,794 S * 7/2015 Doran D15/150
D762,255 S * 7/2016 Levy D15/150
D769,342 S * 10/2016 Picazo D15/150
D778,970 S * 2/2017 Levy D15/150
D828,234 S * 9/2018 Hoehn D12/114
D868,862 S * 12/2019 Yesnick D15/150
D871,172 S * 12/2019 Liao D7/700
D915,706 S * 4/2021 Blackledge D32/54
2001/0045324 A1 * 11/2001 Harding, Jr. F16N 31/002
184/106
2002/0007866 A1 * 1/2002 Swan B67D 3/0029
141/86
2002/0100641 A1 * 8/2002 Osman F01M 11/0004
184/106
2004/0154576 A1 * 8/2004 Kamiyama F01M 11/0004
123/195 C

* cited by examiner

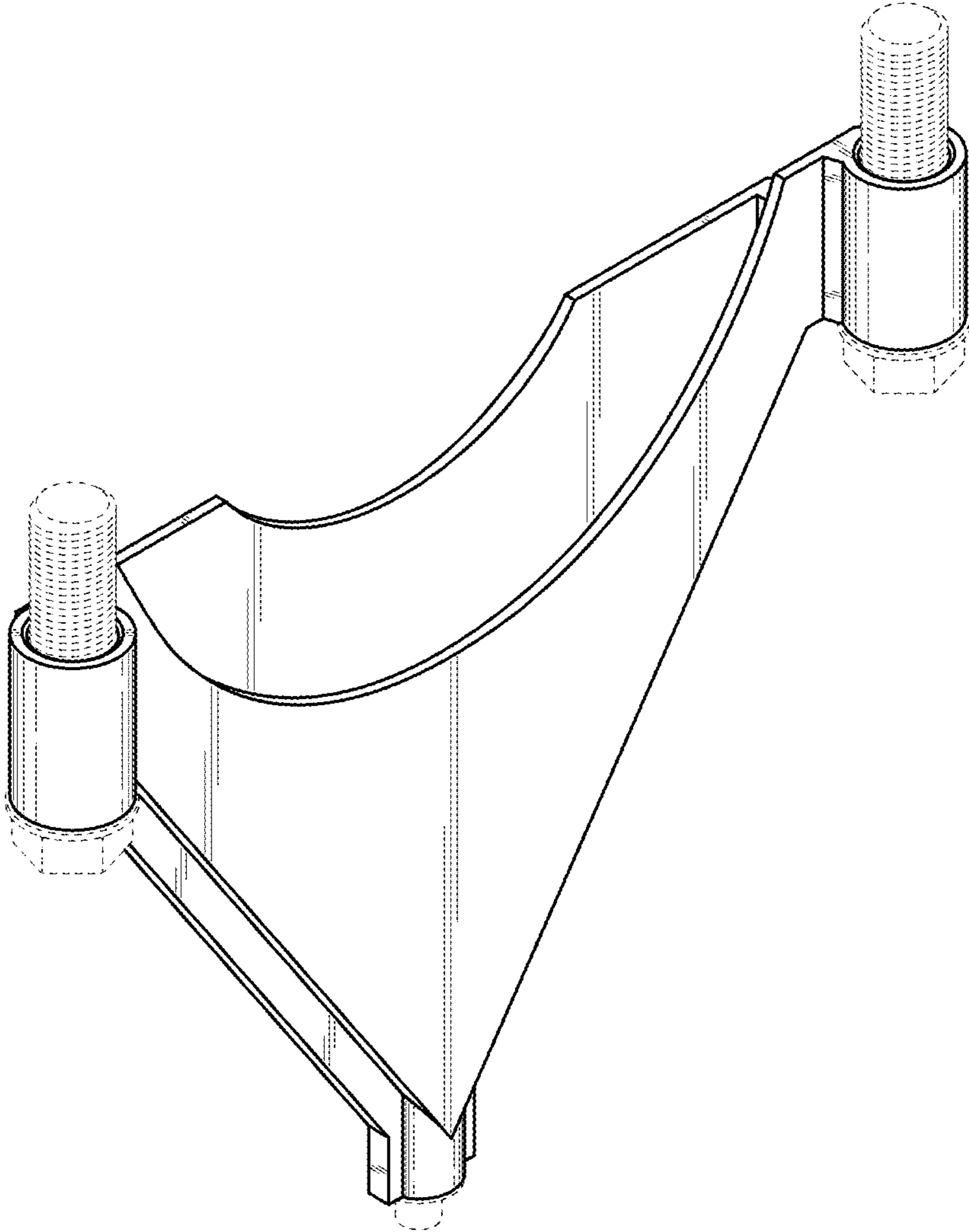


FIG. 1

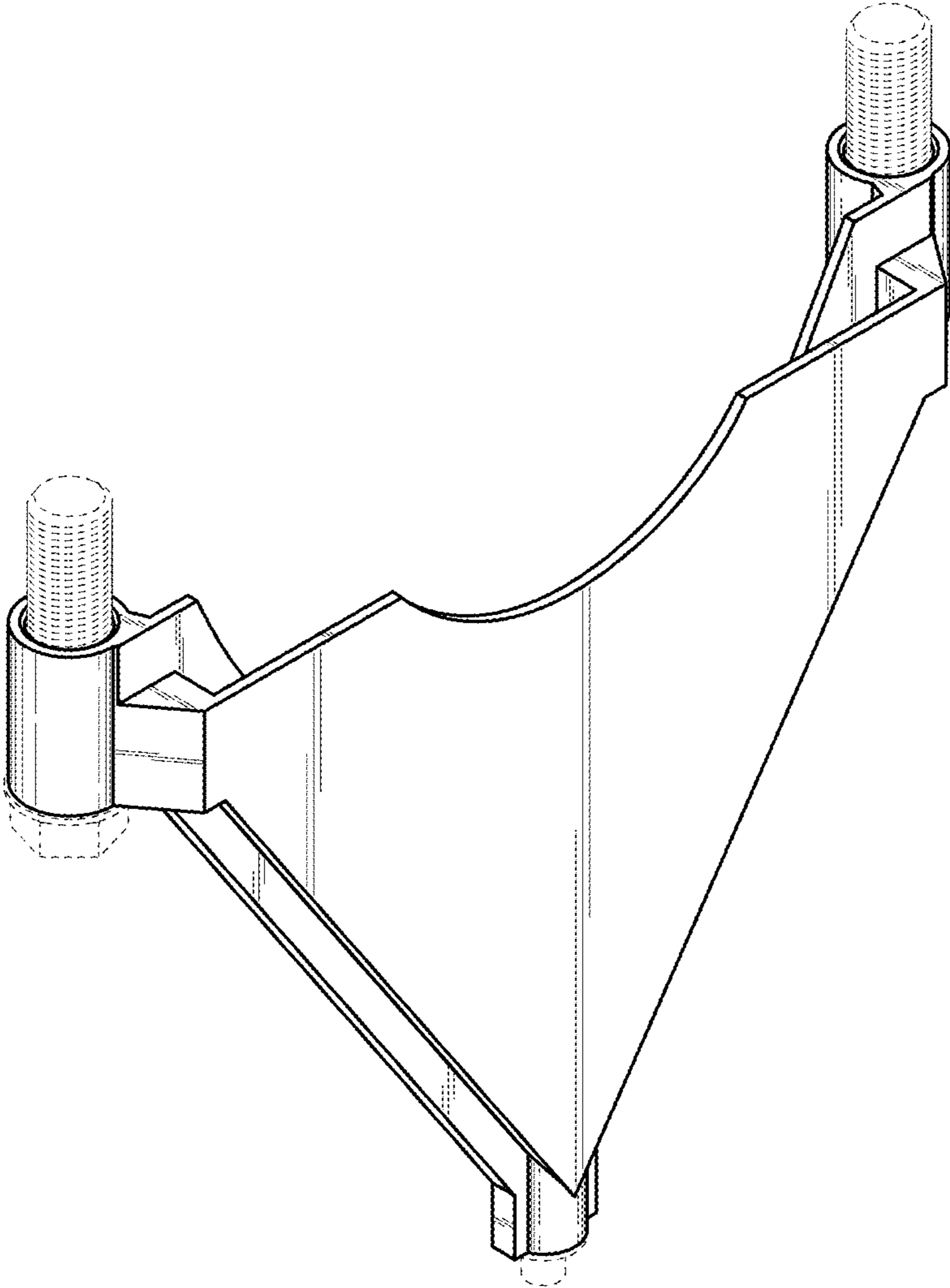


FIG. 2

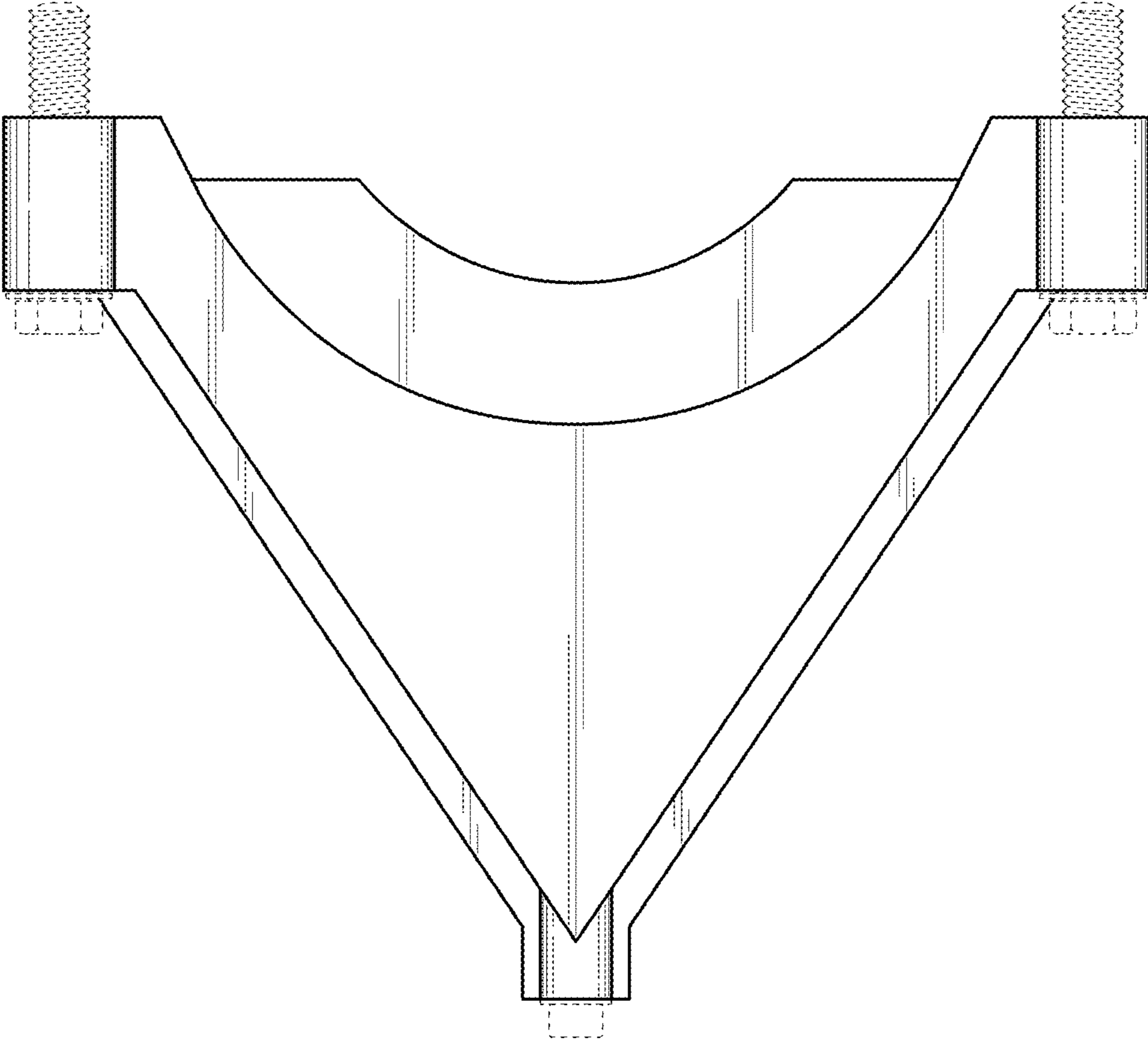


FIG. 3

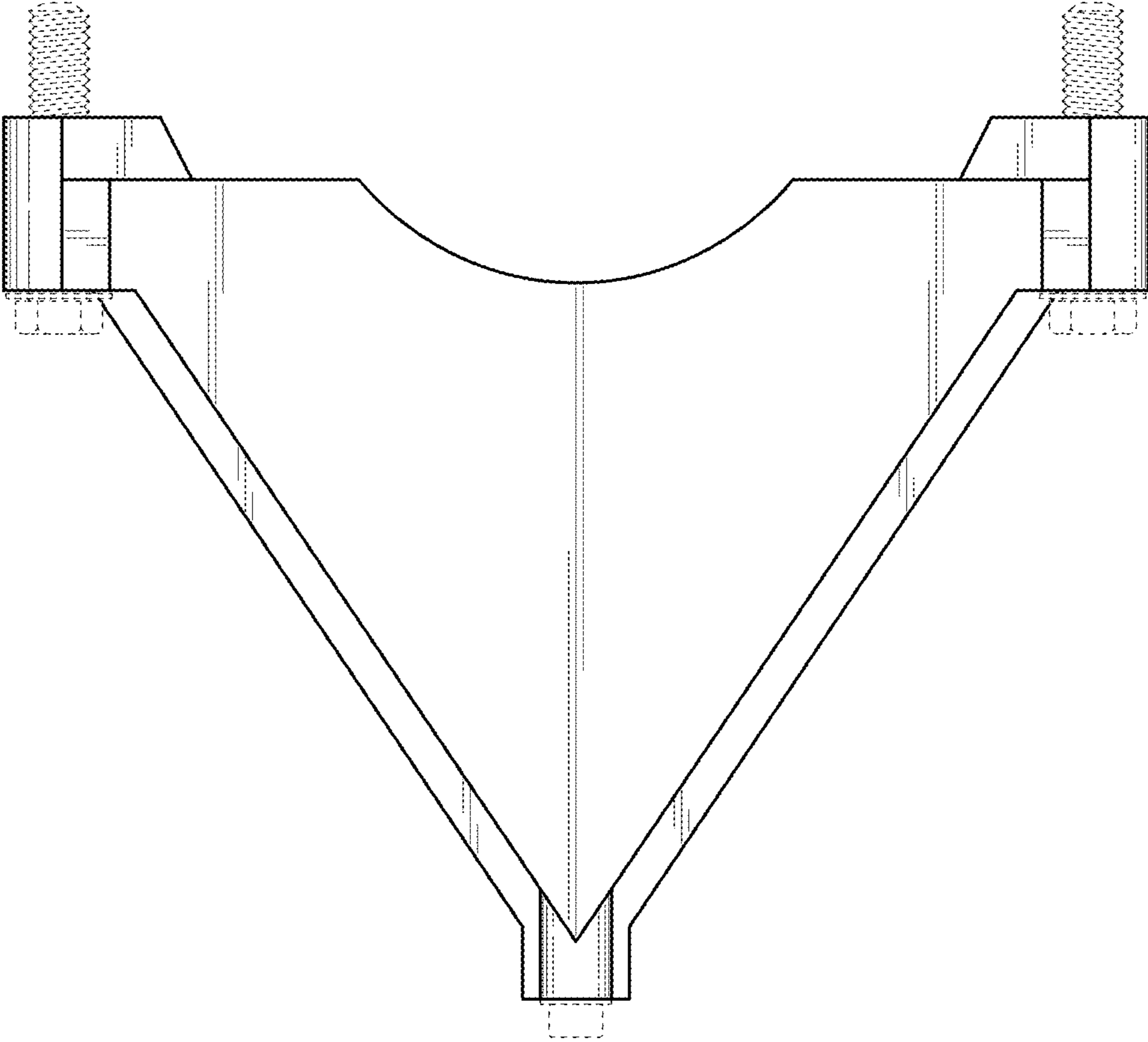


FIG. 4

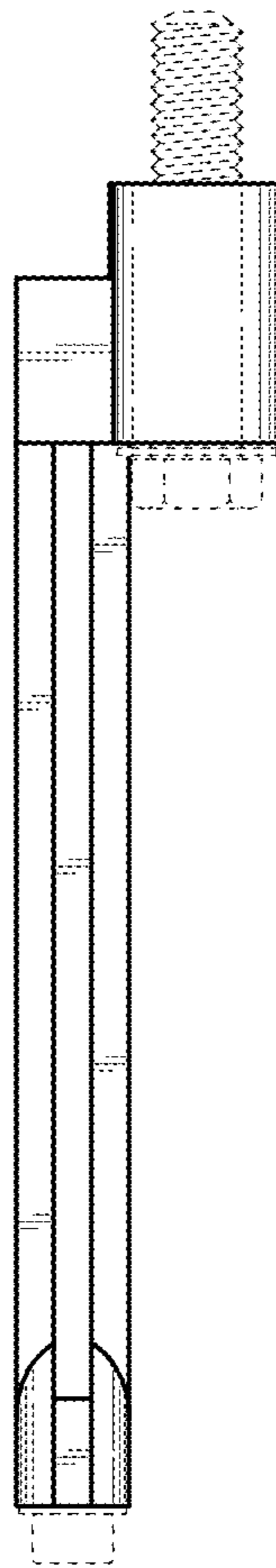


FIG. 5

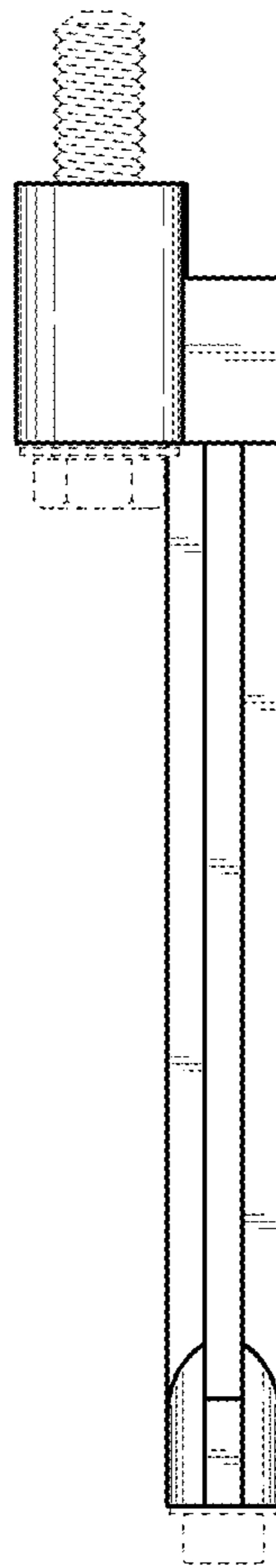


FIG. 6

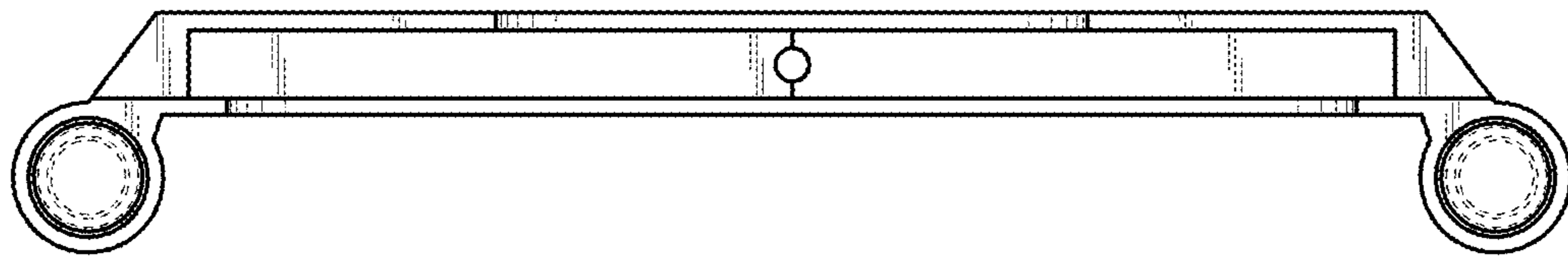


FIG. 7

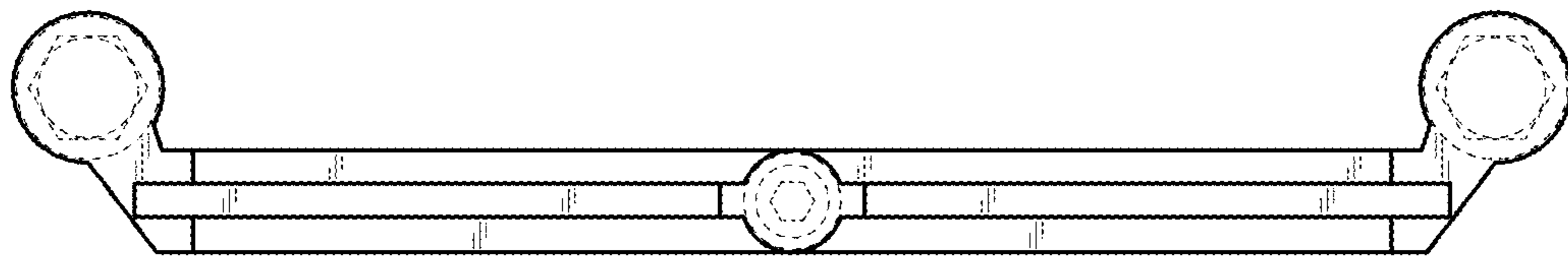


FIG. 8