



US00D936717S

(12) **United States Design Patent** (10) **Patent No.:** **US D936,717 S**  
**Chen** (45) **Date of Patent:** **\*\* Nov. 23, 2021**

(54) **VACUUM SEALER**  
(71) Applicant: **Qiong Chen**, Chongqing (CN)  
(72) Inventor: **Qiong Chen**, Chongqing (CN)  
(\*\*) Term: **15 Years**  
(21) Appl. No.: **29/766,386**  
(22) Filed: **Jan. 15, 2021**  
(51) **LOC (13) Cl.** ..... **15-09**  
(52) **U.S. Cl.**  
USPC ..... **D15/146**  
(58) **Field of Classification Search**  
USPC ..... D15/145, 146; D18/50  
CPC ..... B65B 31/046; B65B 31/047  
See application file for complete search history.

D597,572 S \* 8/2009 Tsai ..... D15/146  
D602,966 S \* 10/2009 Kiple ..... D15/146  
D633,118 S \* 2/2011 Beatty ..... D15/146  
D663,331 S \* 7/2012 Day ..... D15/146  
D667,858 S \* 9/2012 Crutchley ..... D15/146  
D679,739 S \* 4/2013 Crutchley ..... D15/146  
D686,649 S \* 7/2013 Zhou ..... D15/146  
D694,793 S \* 12/2013 Cumming ..... D15/146  
8,695,673 B2 \* 4/2014 Hu ..... B26F 1/12  
156/583.1  
D763,334 S \* 8/2016 Yoshitomi ..... D15/146  
D823,913 S \* 7/2018 Chou ..... D15/146  
D847,226 S 4/2019 Owens et al.  
D854,065 S \* 7/2019 Owens ..... D15/146  
D854,594 S 7/2019 Carey et al.  
D866,624 S \* 11/2019 Choi ..... D15/146  
D871,470 S \* 12/2019 Xu ..... D15/146  
D881,245 S \* 4/2020 Zheng ..... D15/146  
D910,100 S \* 2/2021 Qiu ..... D15/146  
D910,726 S \* 2/2021 Sun ..... D15/146  
D921,730 S \* 6/2021 Chen ..... D15/146

(Continued)

Primary Examiner — Patricia A Palasik

(56) **References Cited**  
U.S. PATENT DOCUMENTS

D249,526 S \* 9/1978 Kishida ..... D15/146  
4,156,382 A \* 5/1979 Baker ..... B29C 66/861  
156/510  
D301,238 S \* 5/1989 Makihara ..... D15/146  
D342,532 S \* 12/1993 Deni ..... D15/146  
5,352,323 A \* 10/1994 Chi ..... B65B 51/148  
156/583.9  
5,806,575 A \* 9/1998 Tsay ..... B65D 81/2015  
141/192  
D453,171 S \* 1/2002 Cheng ..... D15/146  
D501,859 S \* 2/2005 Presta ..... D15/146  
7,003,928 B2 \* 2/2006 Patterson ..... B65B 31/06  
53/405  
D536,355 S \* 2/2007 Levensen ..... D15/146  
7,207,160 B2 \* 4/2007 Baptista ..... B65B 31/046  
53/405  
7,392,641 B2 \* 7/2008 Abate ..... B65B 31/046  
53/374.9  
7,540,127 B2 \* 6/2009 Sung ..... B65B 31/046  
53/434

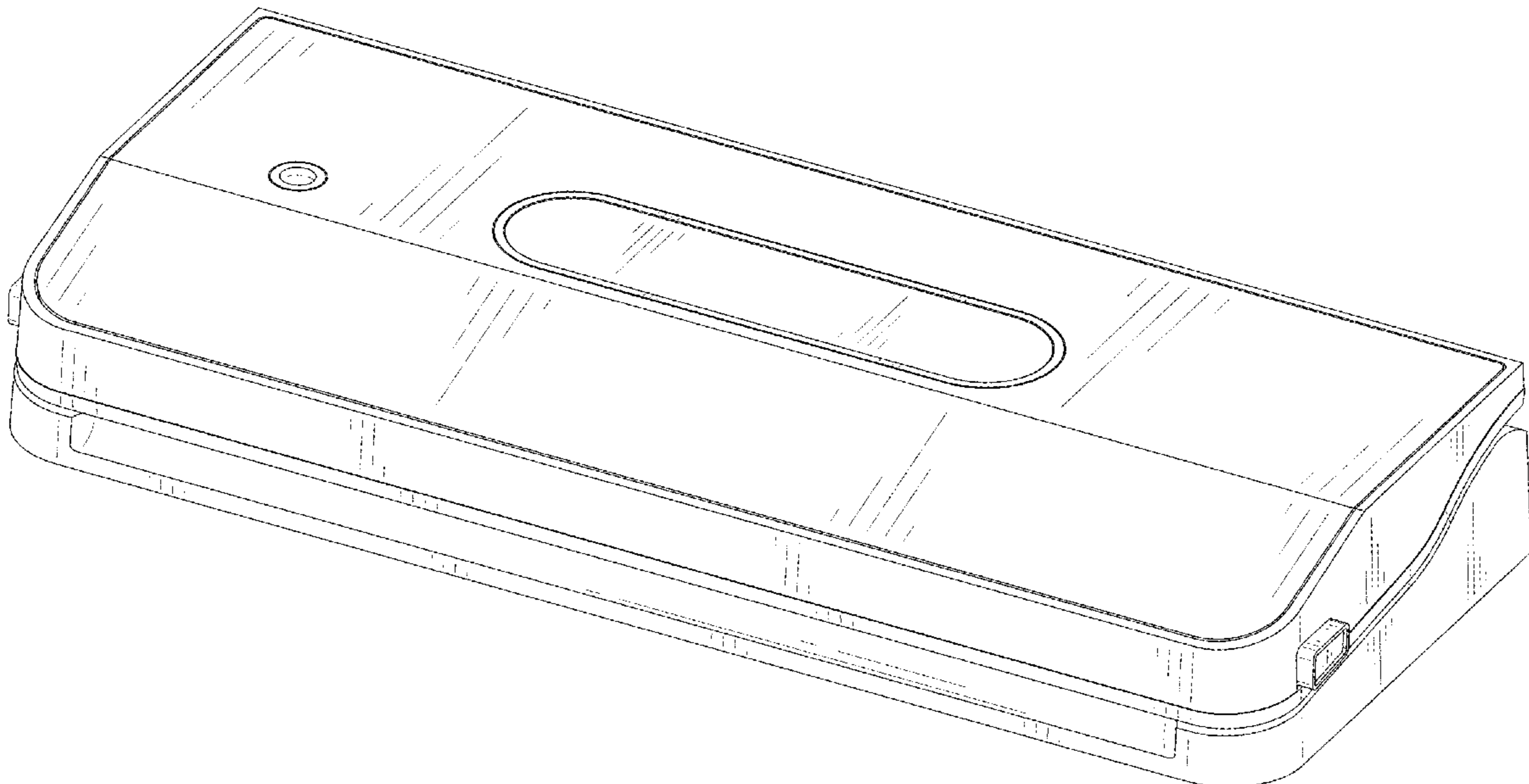
(57) **CLAIM**

The ornamental design for a vacuum sealer, as shown and described.

**DESCRIPTION**

FIG. 1 is a perspective view of a vacuum sealer showing my new design;  
FIG. 2 is another perspective view thereof;  
FIG. 3 is a front elevational view thereof;  
FIG. 4 is a rear elevational view thereof;  
FIG. 5 is a left side elevational view thereof;  
FIG. 6 is a right side elevational view thereof;  
FIG. 7 is a top plan view thereof; and,  
FIG. 8 is a bottom plan view thereof.  
The broken lines in the drawings depict portions of the vacuum sealer that form no part of the claimed design.

**1 Claim, 8 Drawing Sheets**



(56)

**References Cited**

U.S. PATENT DOCUMENTS

D922,462 S \* 6/2021 Leyden ..... D15/146  
2005/0022480 A1 \* 2/2005 Brakes ..... B65B 31/046  
53/512

\* cited by examiner

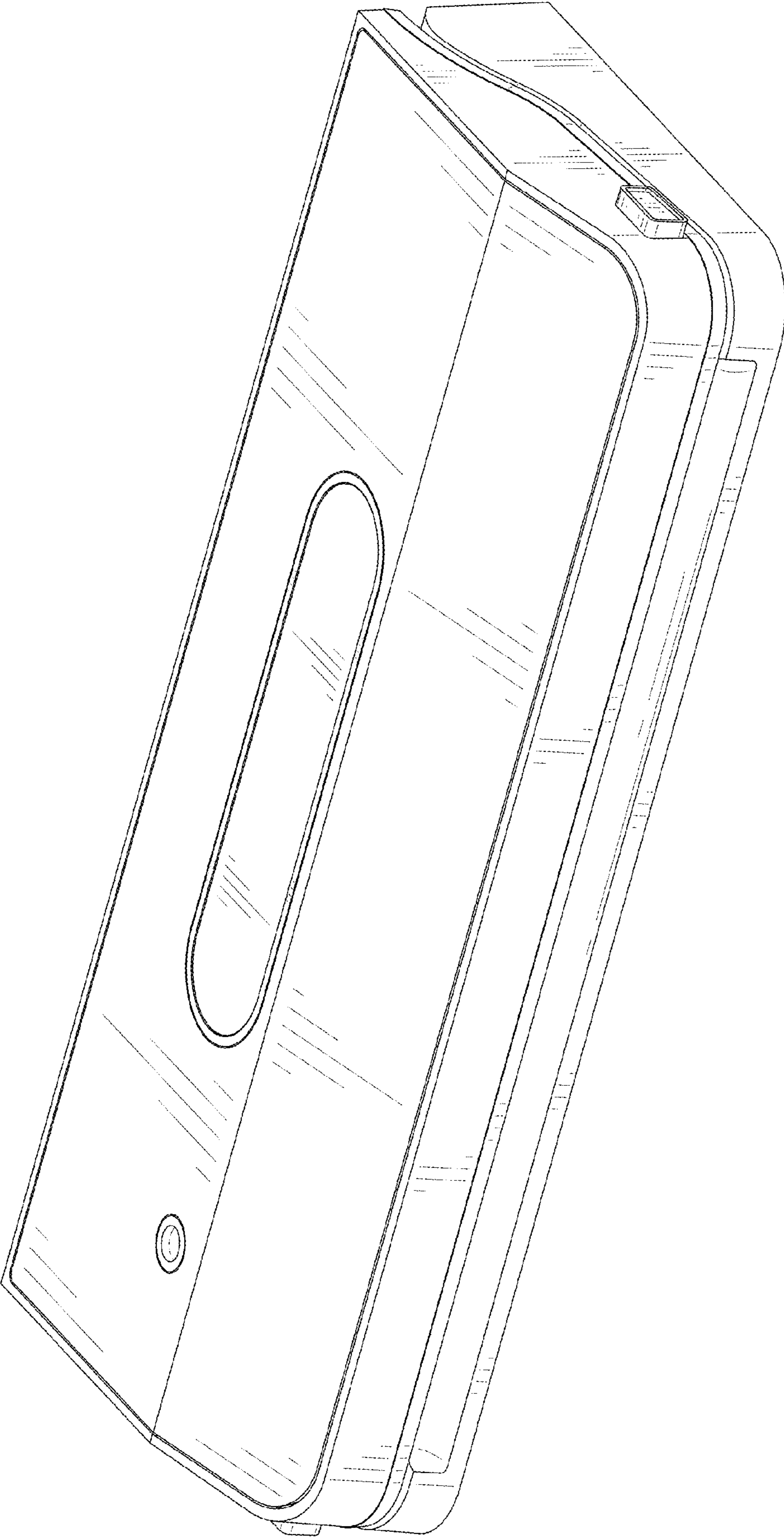


FIG. 1

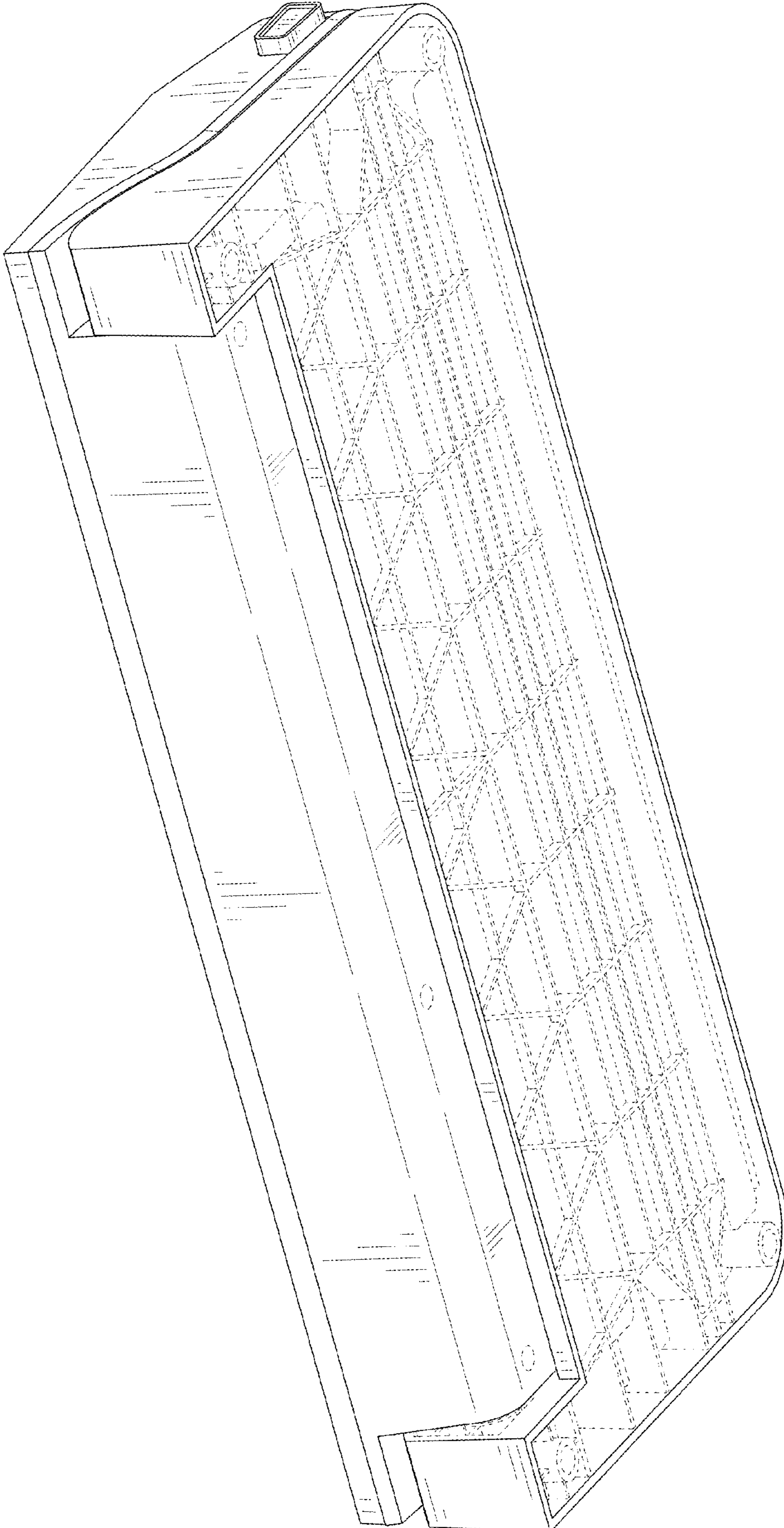


FIG. 2

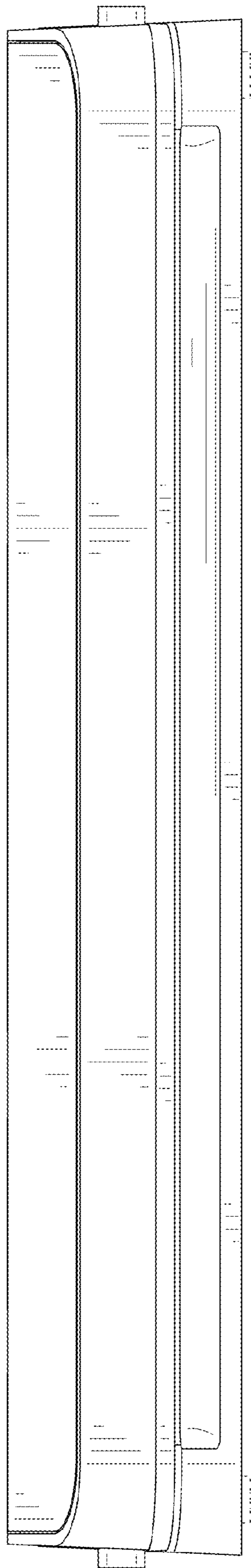


FIG. 3

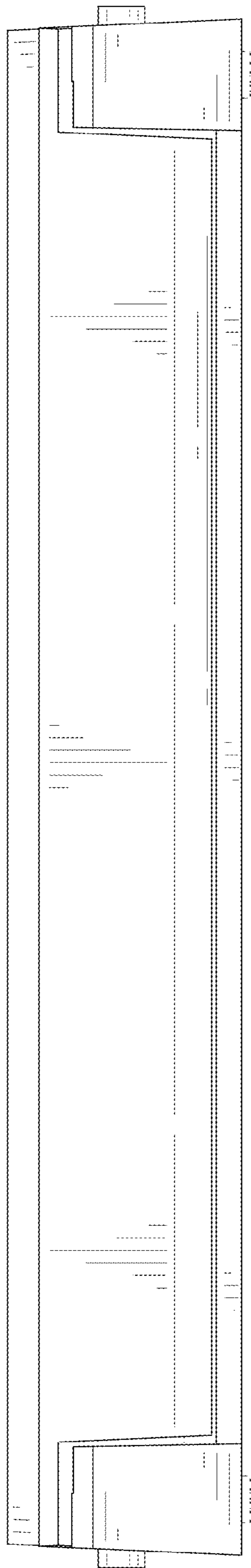


FIG. 4

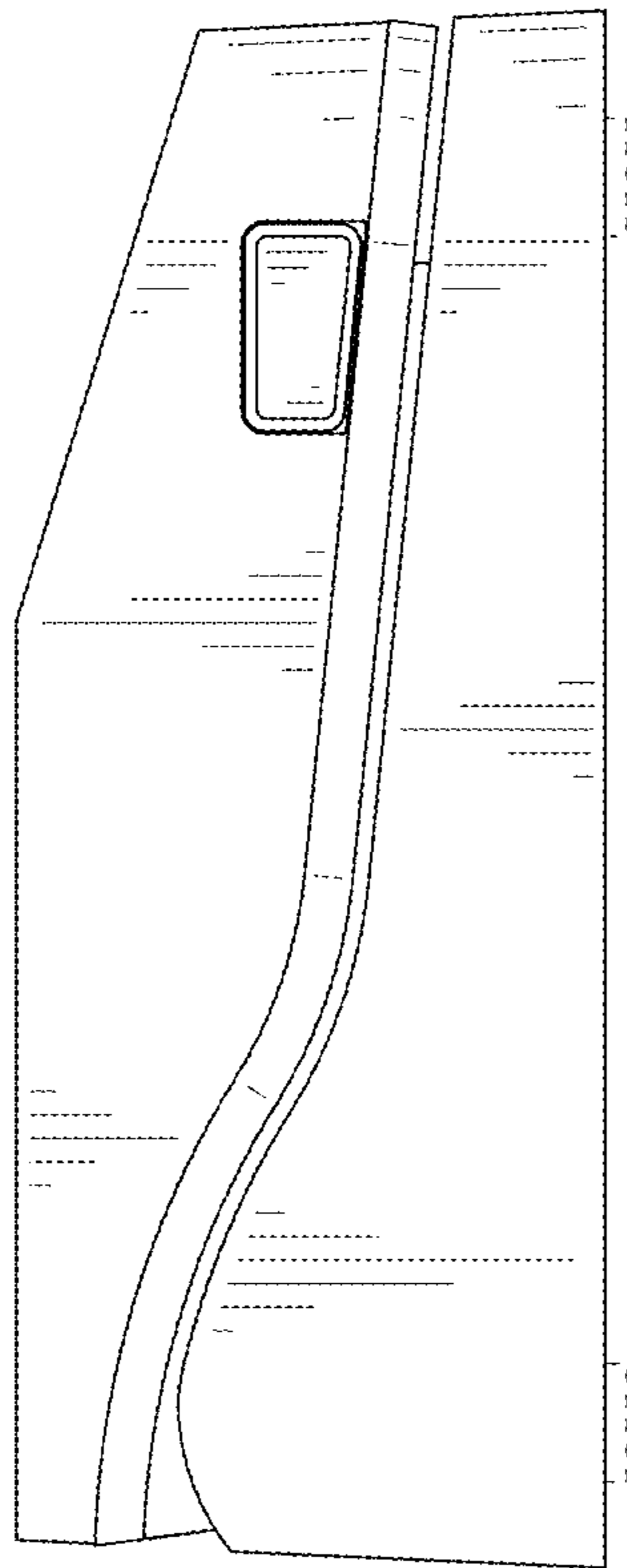


FIG. 5

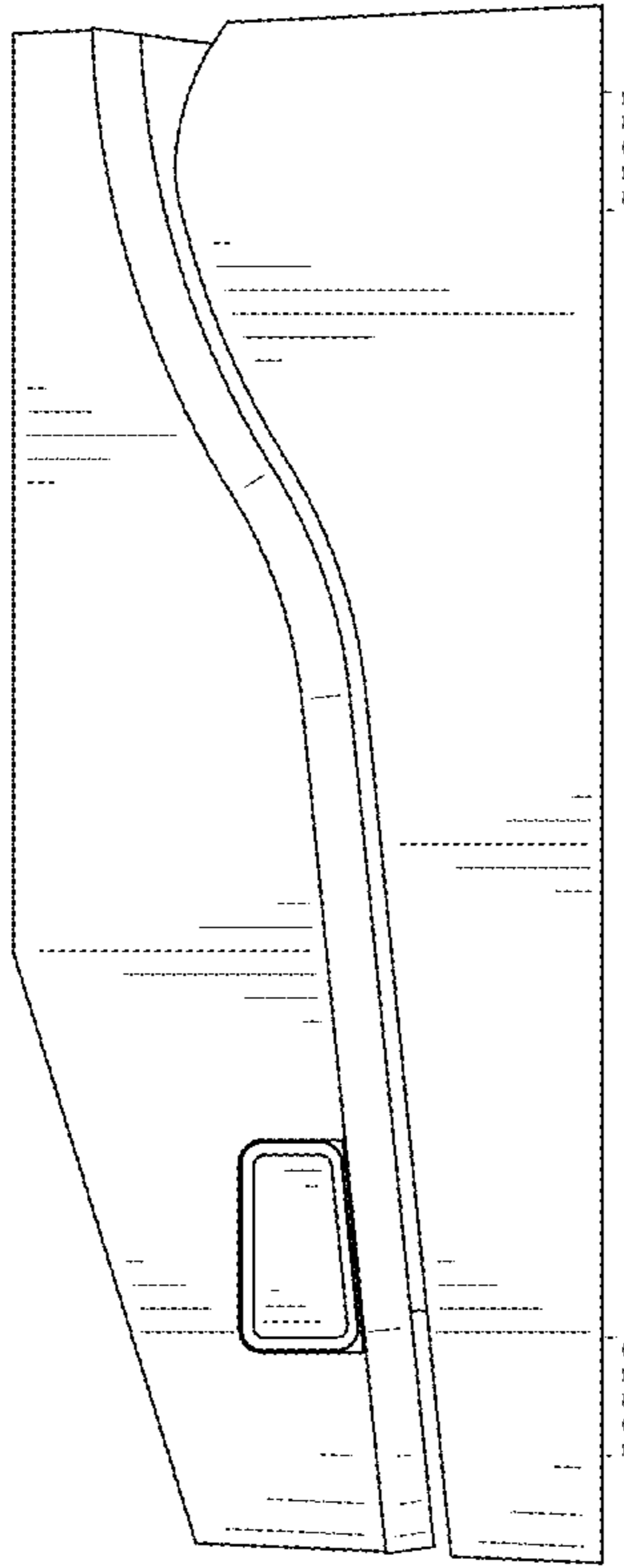


FIG. 6



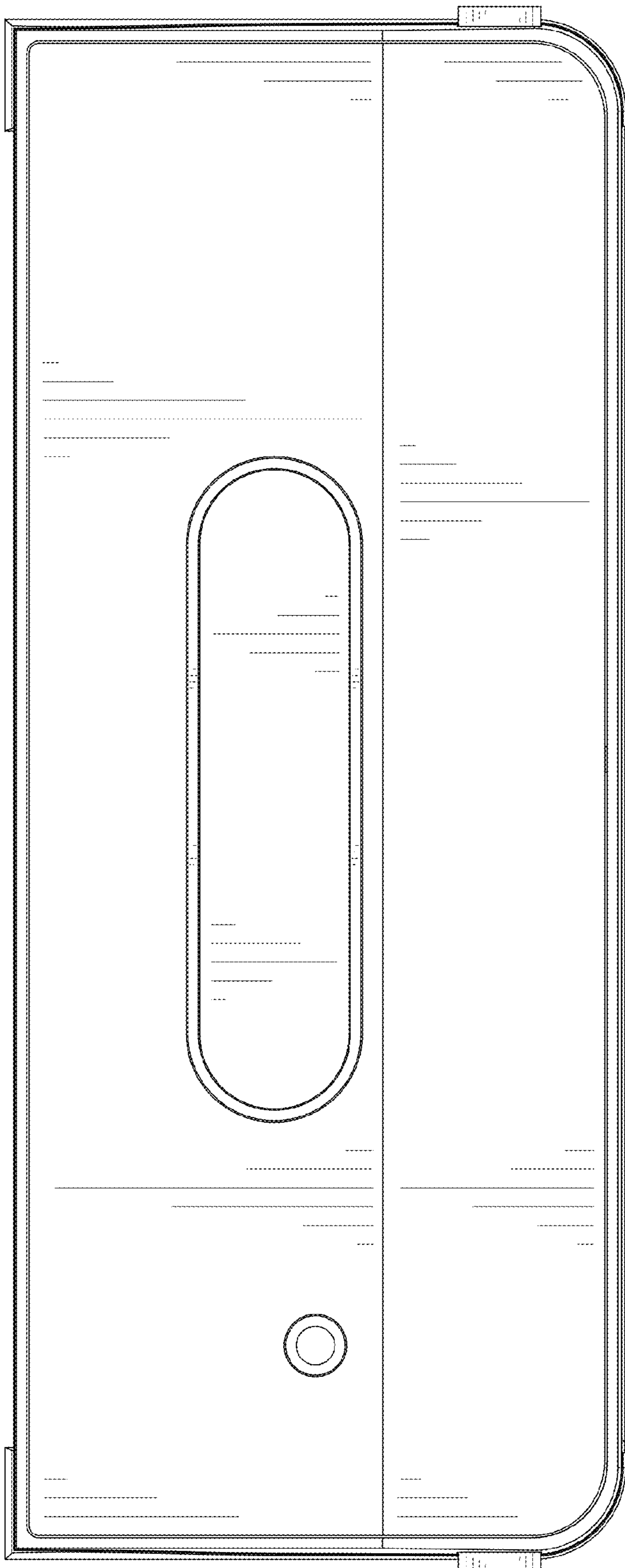


FIG. 7

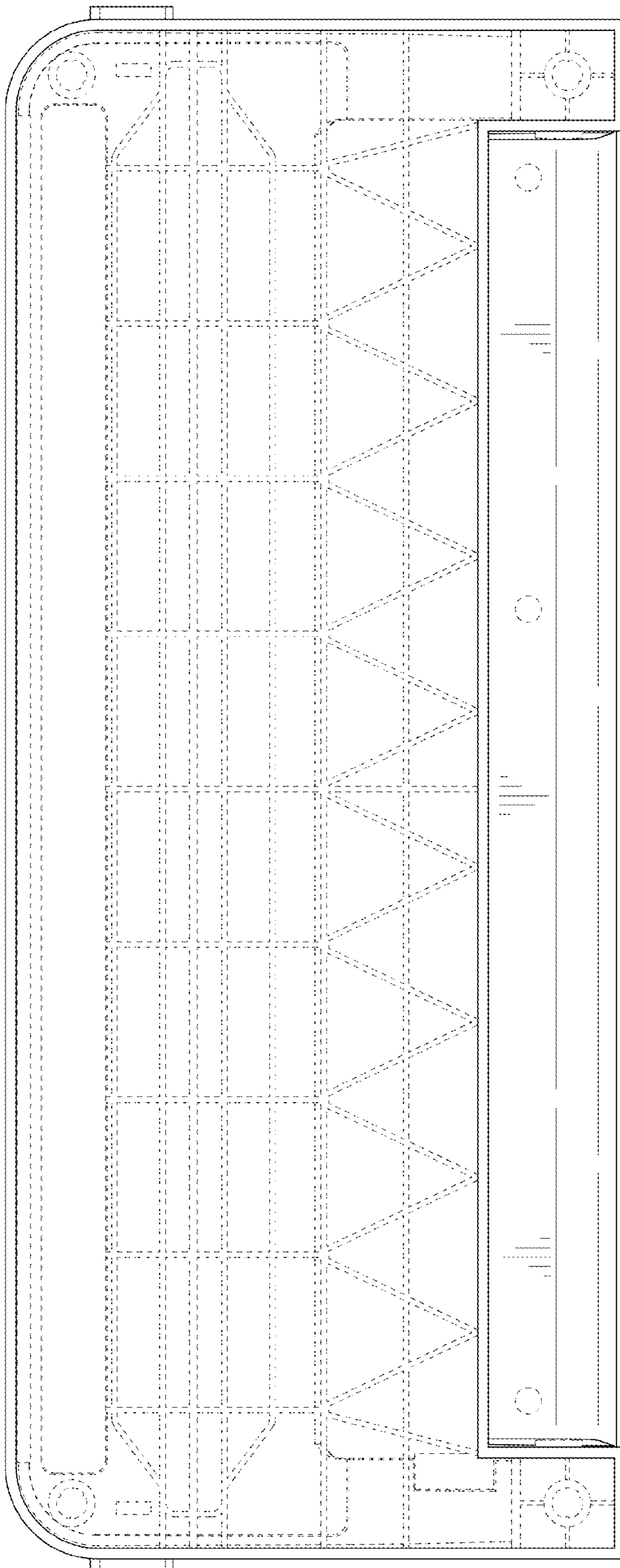


FIG. 8