

US00D936713S

(12) **United States Design Patent** (10) **Patent No.:** **US D936,713 S**
Endoh et al. (45) **Date of Patent:** **** Nov. 23, 2021**

(54) **CUTTING INSERT**
(71) Applicant: **OSG CORPORATION**, Toyokawa (JP)
(72) Inventors: **Yasuyuki Endoh**, Toyohashi (JP); **Peter Gennuso**, Hoffman Estates, IL (US)
(73) Assignee: **OSG CORPORATION**, Toyokawa (JP)
(**) Term: **15 Years**

D872,784 S * 1/2020 Inagaki D15/139
D884,039 S * 5/2020 Endoh D15/139
D884,040 S * 5/2020 Endoh D15/139
D884,041 S * 5/2020 Endoh D15/139
D898,085 S * 10/2020 Kim D15/139
D907,670 S * 1/2021 Nagafuchi D15/139
D907,671 S * 1/2021 Nagafuchi D15/139
D908,752 S * 1/2021 Nagafuchi D15/139
D909,438 S * 2/2021 Fujii D15/139
D911,399 S * 2/2021 Atkins D15/139

(Continued)

(21) Appl. No.: **29/713,041**
(22) Filed: **Nov. 13, 2019**

Primary Examiner — Michael C Stout
Assistant Examiner — Fritzgerald L Butac
(74) *Attorney, Agent, or Firm* — Oliff PLC

(30) **Foreign Application Priority Data**

May 13, 2019 (JP) 2019-010307
May 13, 2019 (JP) 2019-010308
May 13, 2019 (JP) 2019-010309

(57) **CLAIM**

The ornamental design for a cutting insert, as shown and described.

(51) **LOC (13) Cl.** **15-09**
(52) **U.S. Cl.**
USPC **D15/139**

DESCRIPTION

(58) **Field of Classification Search**
USPC D8/20, 68–70, 98, 99, 385, 395; D15/19,
D15/21, 131–133, 138, 139
CPC .. B23B 27/1622; B23B 2200/321; B23C 5/06
See application file for complete search history.

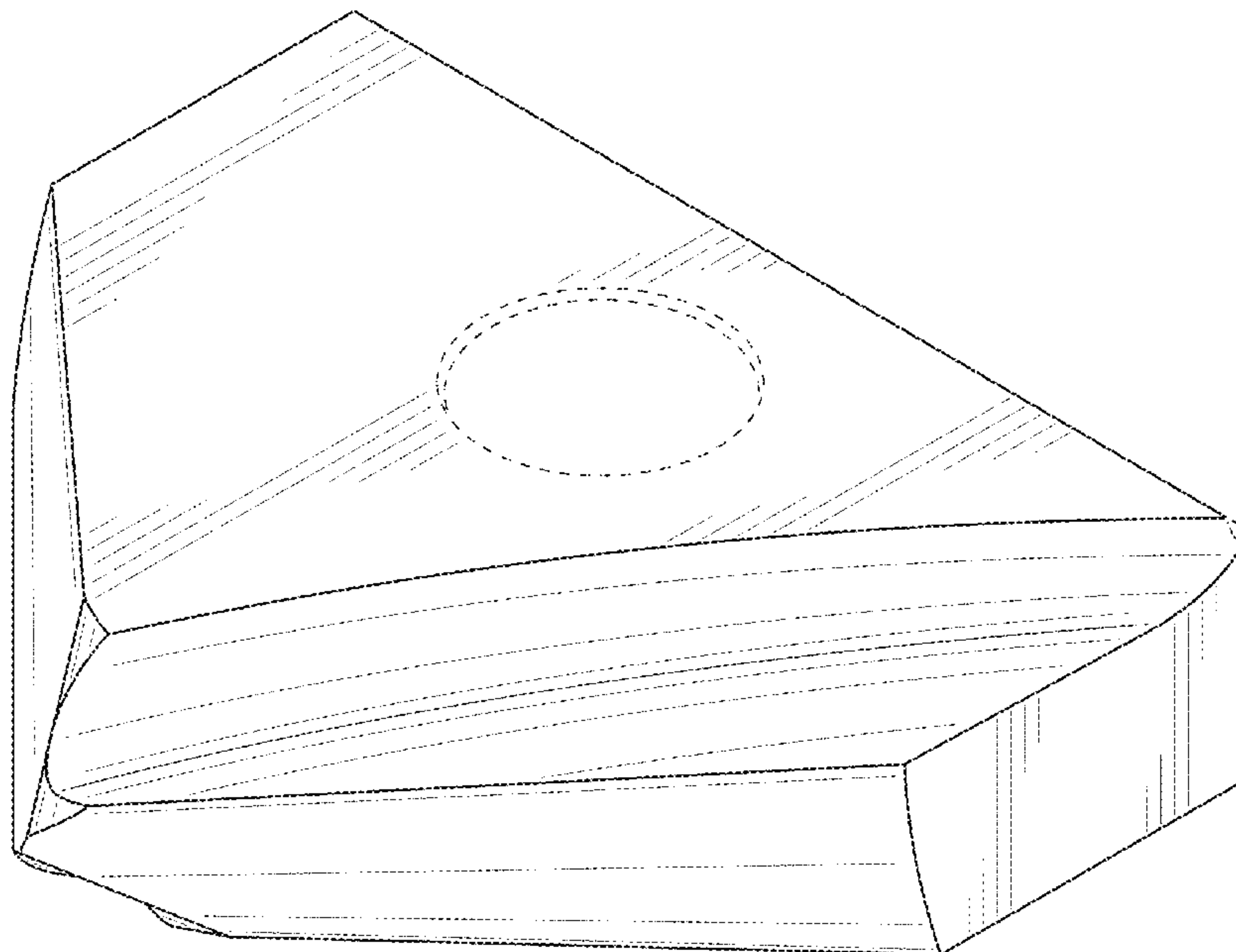
FIG. 1 is a front, right-side, bottom perspective view of a cutting insert, showing the new design; FIG. 2 is a front elevational view thereof; FIG. 3 is a rear elevational view thereof; FIG. 4 is a right-side elevational view thereof; FIG. 5 is a left-side elevational view thereof; FIG. 6 is a top plan view thereof; FIG. 7 is a bottom plan view thereof; FIG. 8 is an enlargement of area 8 in FIG. 2; FIG. 9 is an enlargement of area 9 in FIG. 7; and, FIG. 10 is a cross-sectional view along line 10-10 in FIG. 2. The broken lines depict parts of the cutting insert that form no part of the claimed design. The dot-dash chain lines depict boundaries of the claimed subject matter and form no part of the claimed design. The dot-dot-dash chain lines depict enlargement areas and cross-section lines, and thus form no part of the claimed design.

(56) **References Cited**

U.S. PATENT DOCUMENTS

D805,564 S * 12/2017 Lee D15/139
D815,164 S * 4/2018 Schleicher D15/139
D815,165 S * 4/2018 Morisaki D15/139
D845,360 S * 4/2019 Kobayashi D15/139
D847,883 S * 5/2019 Kobayashi D15/139
D852,245 S * 6/2019 Kobayashi D15/139
D852,246 S * 6/2019 Kobayashi D15/139
D861,754 S * 10/2019 Fukuyama D15/139

1 Claim, 7 Drawing Sheets



(56)

References Cited

U.S. PATENT DOCUMENTS

D912,708 S * 3/2021 Weinberg D15/139
D921,075 S * 6/2021 Park D15/139
D921,076 S * 6/2021 Park D15/139

* cited by examiner

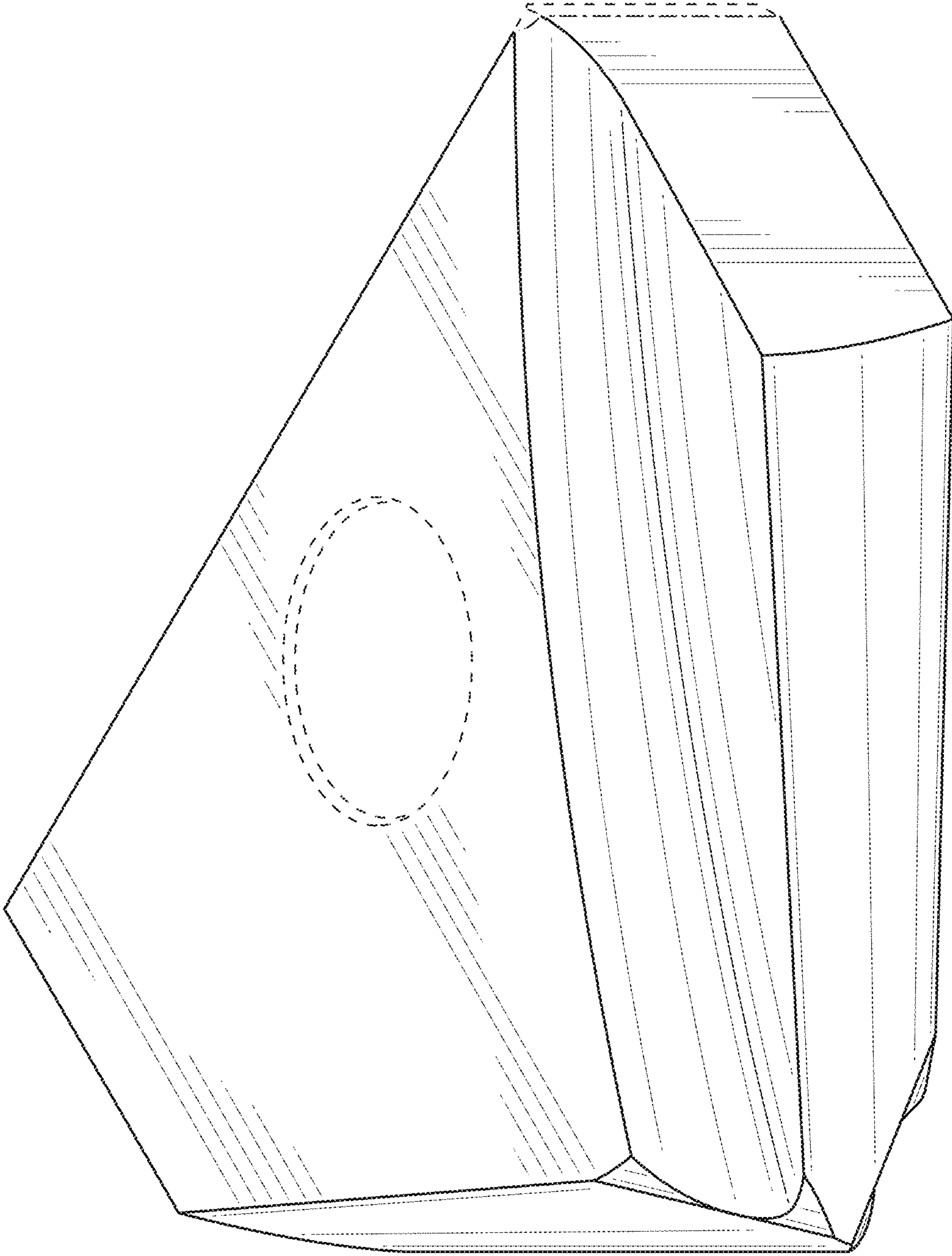


FIG. 1

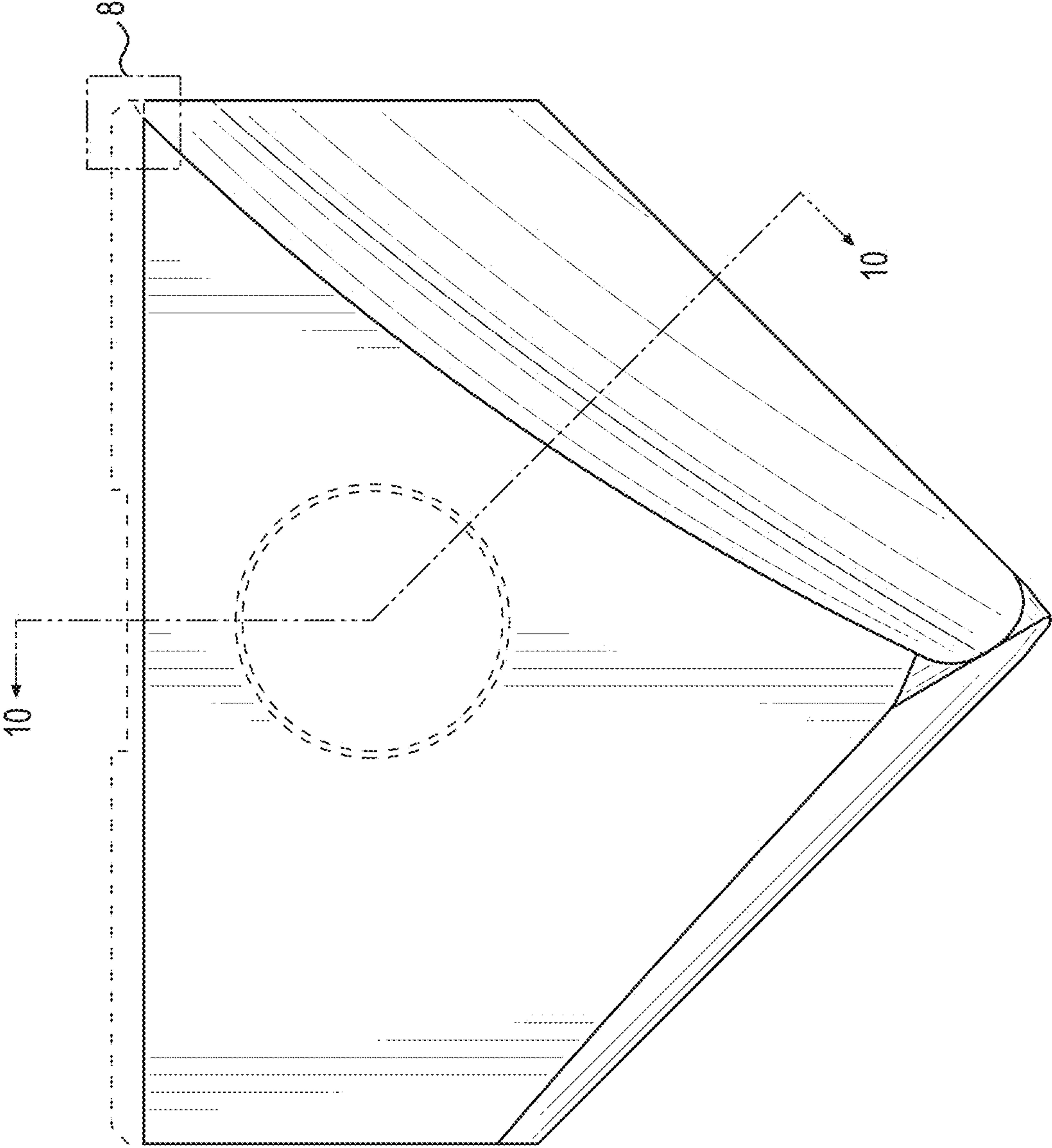


FIG. 2

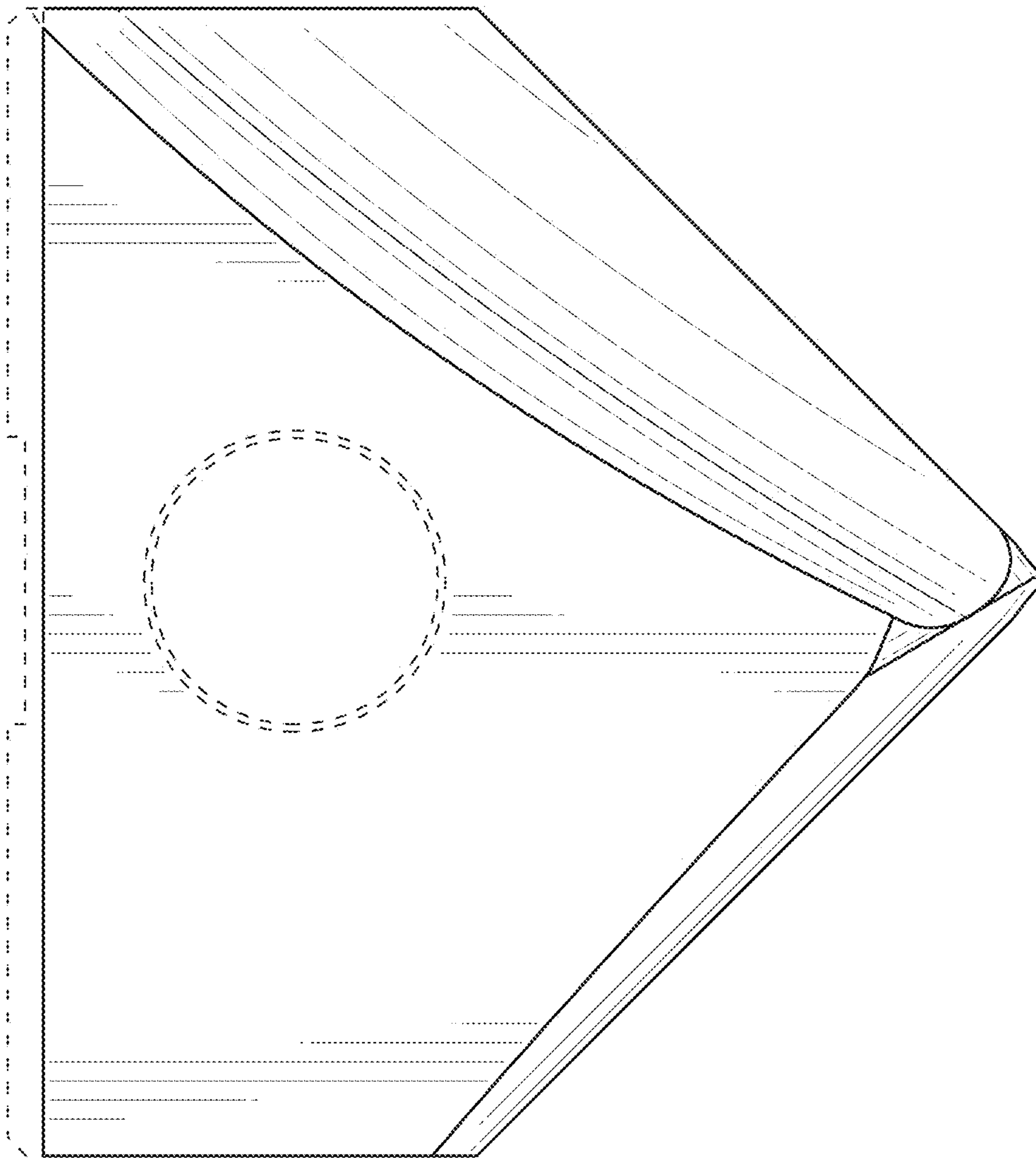


FIG. 3

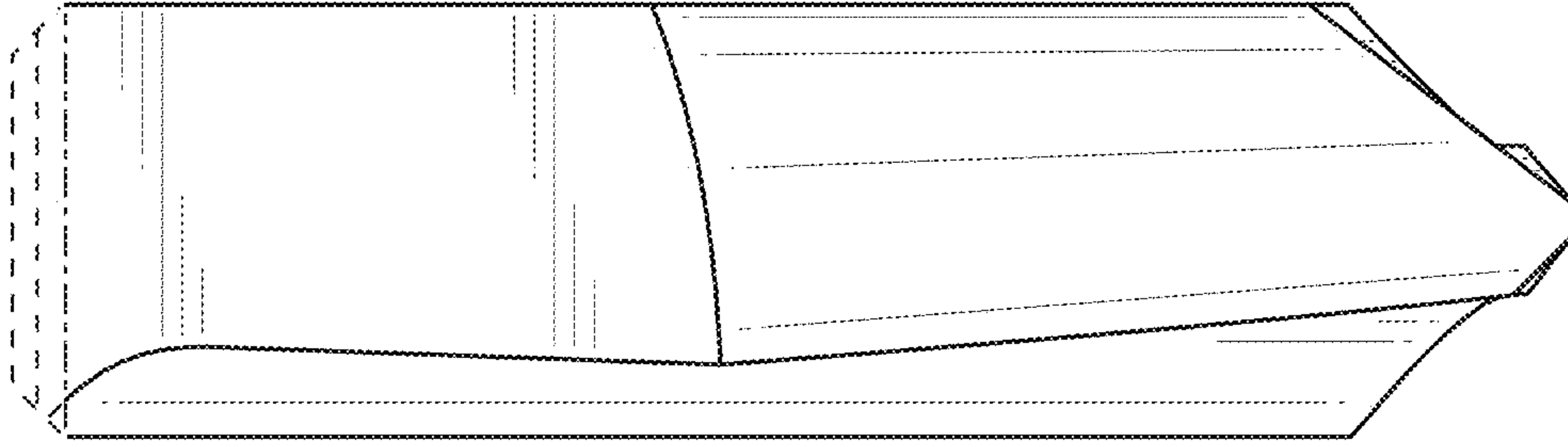


FIG. 5

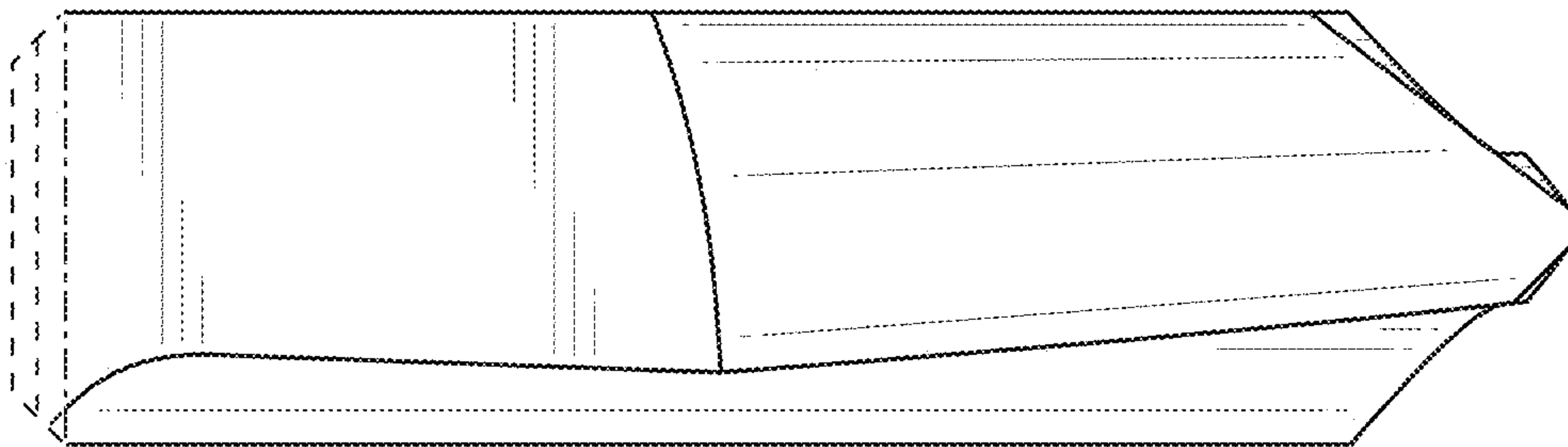


FIG. 4

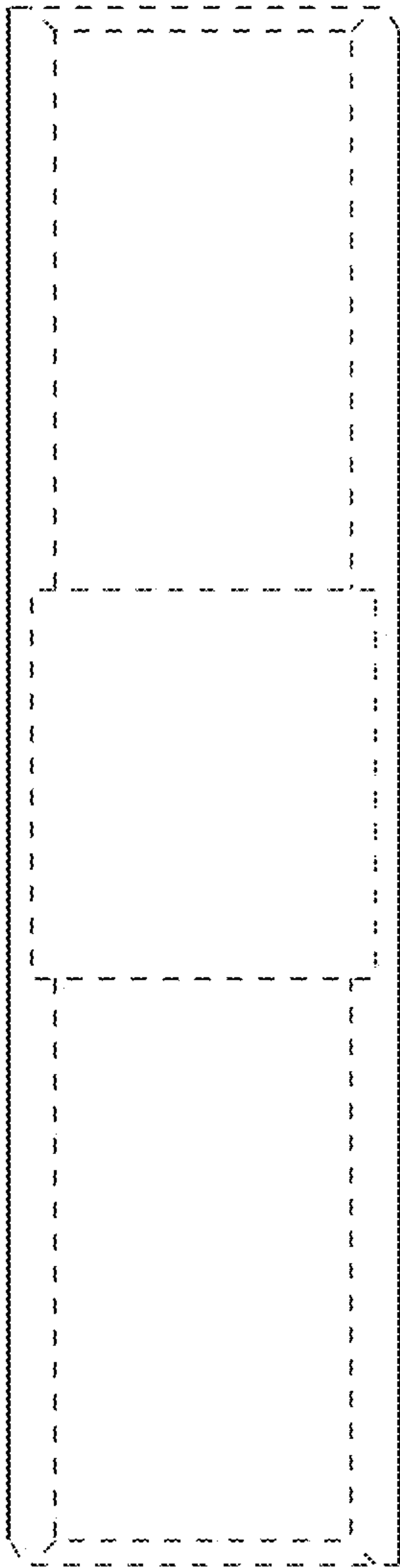


FIG. 6

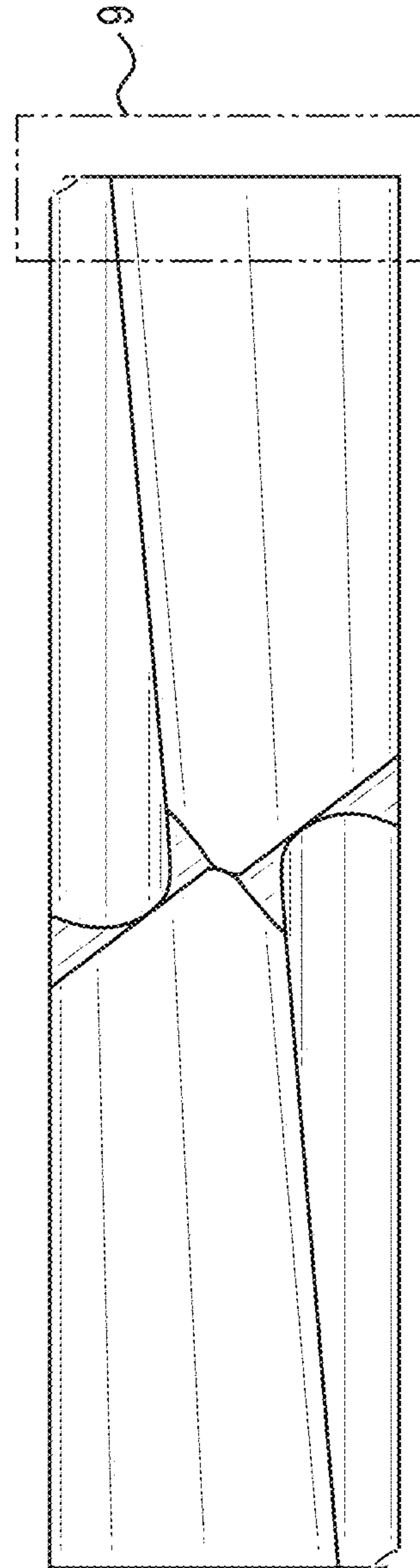


FIG. 7

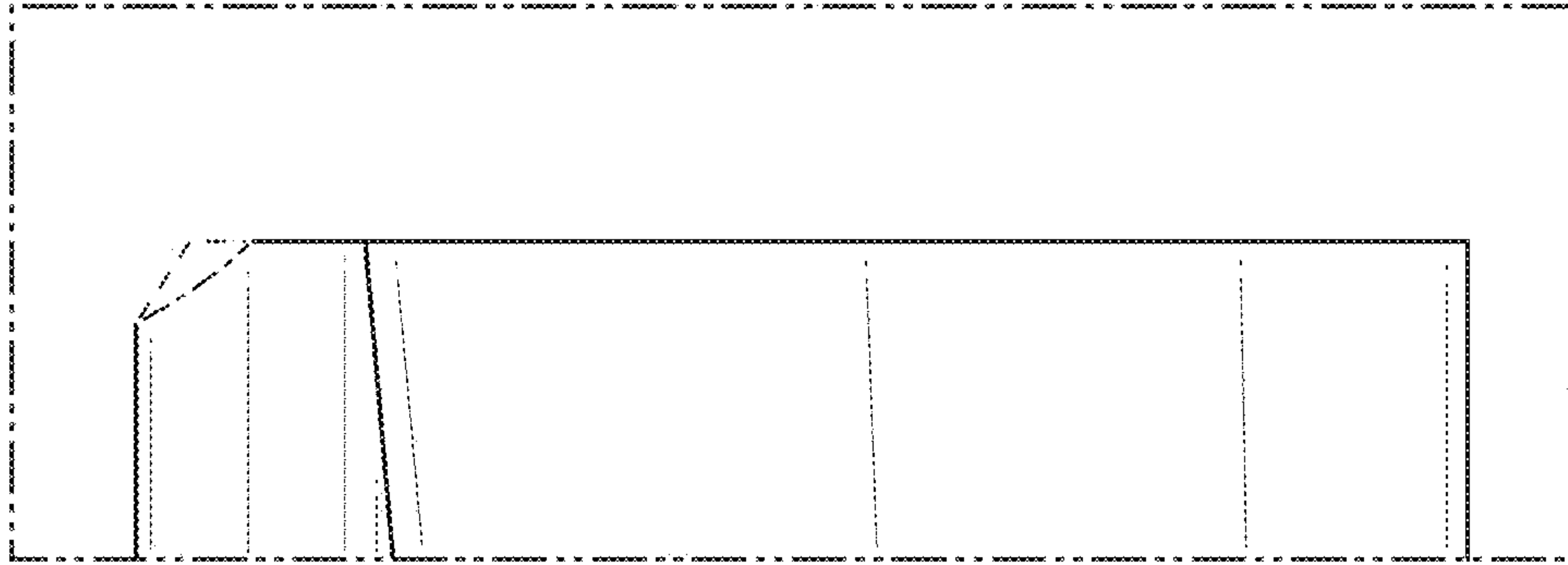


FIG. 9

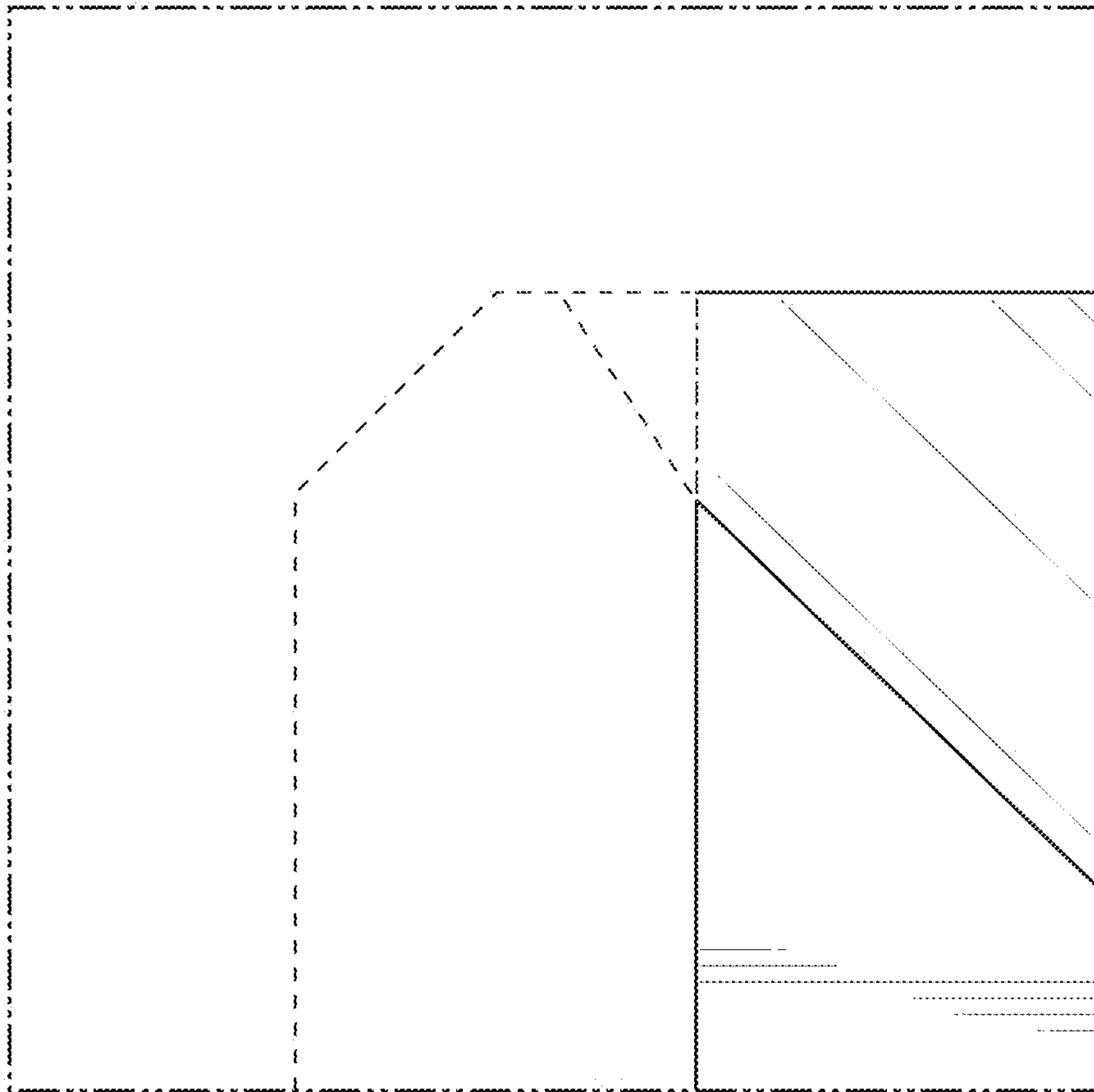


FIG. 8

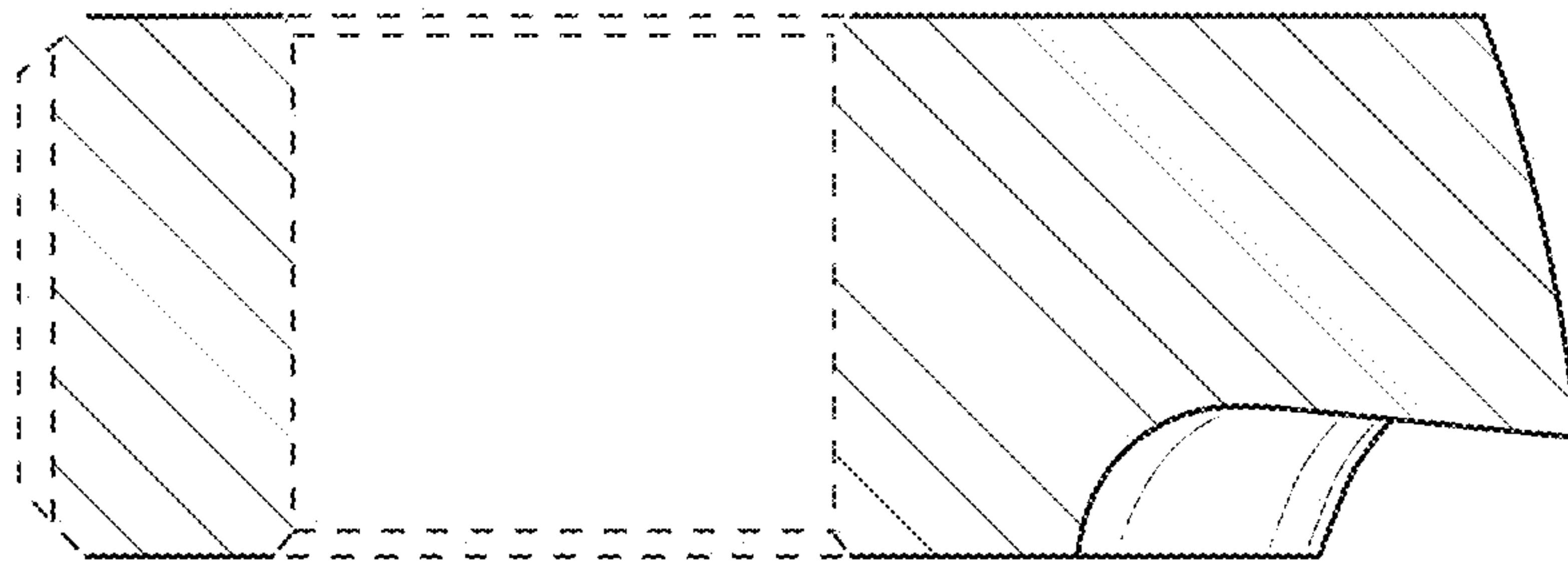


FIG. 10