



US00D936712S

(12) **United States Design Patent** (10) **Patent No.:** **US D936,712 S**
Nagelin et al. (45) **Date of Patent:** **** *Nov. 23, 2021**

(54) **PORTION OF A WORK MACHINE**

(56) **References Cited**

(71) Applicant: **DEERE & COMPANY**, Moline, IL (US)

U.S. PATENT DOCUMENTS

(72) Inventors: **Felix Nagelin**, Malibu, CA (US); **John W. Krieger**, Westlake Village, CA (US); **Volker Durre**, Rancho Palos Verdes, CA (US)

2,216,366 A 10/1940 Greene
D283,135 S 3/1986 Funabashi et al.
D288,206 S 2/1987 Moscovitch
D294,223 S 2/1988 Gollon et al.
D297,142 S 8/1988 Funabashi et al.
D304,589 S 11/1989 Lanphere et al.
D311,543 S 10/1990 Hardzinski et al.
D327,276 S 6/1992 Sorensen
D348,678 S 7/1994 Budde

(73) Assignee: **DEERE & COMPANY**, Moline, IL (US)

(Continued)

(*) Notice: This patent is subject to a terminal disclaimer.

FOREIGN PATENT DOCUMENTS

(**) Term: **15 Years**

CN 304913471 S 11/2018
CN 305100471 S 5/2019

(21) Appl. No.: **29/766,828**

(Continued)

(22) Filed: **Jan. 19, 2021**

OTHER PUBLICATIONS

Related U.S. Application Data

50 HP Blue Sonalika DI 47 Rx Tractor, retrieved from Internet <<https://www.indiamart.com/proddetail/sonalika-di-47-rx-tractor-19114279955.html>> Jun. 26, 2019, 5 pages.

(63) Continuation of application No. 29/671,770, filed on Nov. 29, 2018, now Pat. No. Des. 910,086.

(Continued)

(30) **Foreign Application Priority Data**

Primary Examiner — Mark A Goodwin

May 30, 2018 (EM) 005288503
May 30, 2018 (EM) 005289014

(57) **CLAIM**

(51) **LOC (13) Cl.** **15-03**

The ornamental design for a portion of a work machine, as shown and described.

(52) **U.S. Cl.**

DESCRIPTION

USPC **D15/31**

(58) **Field of Classification Search**

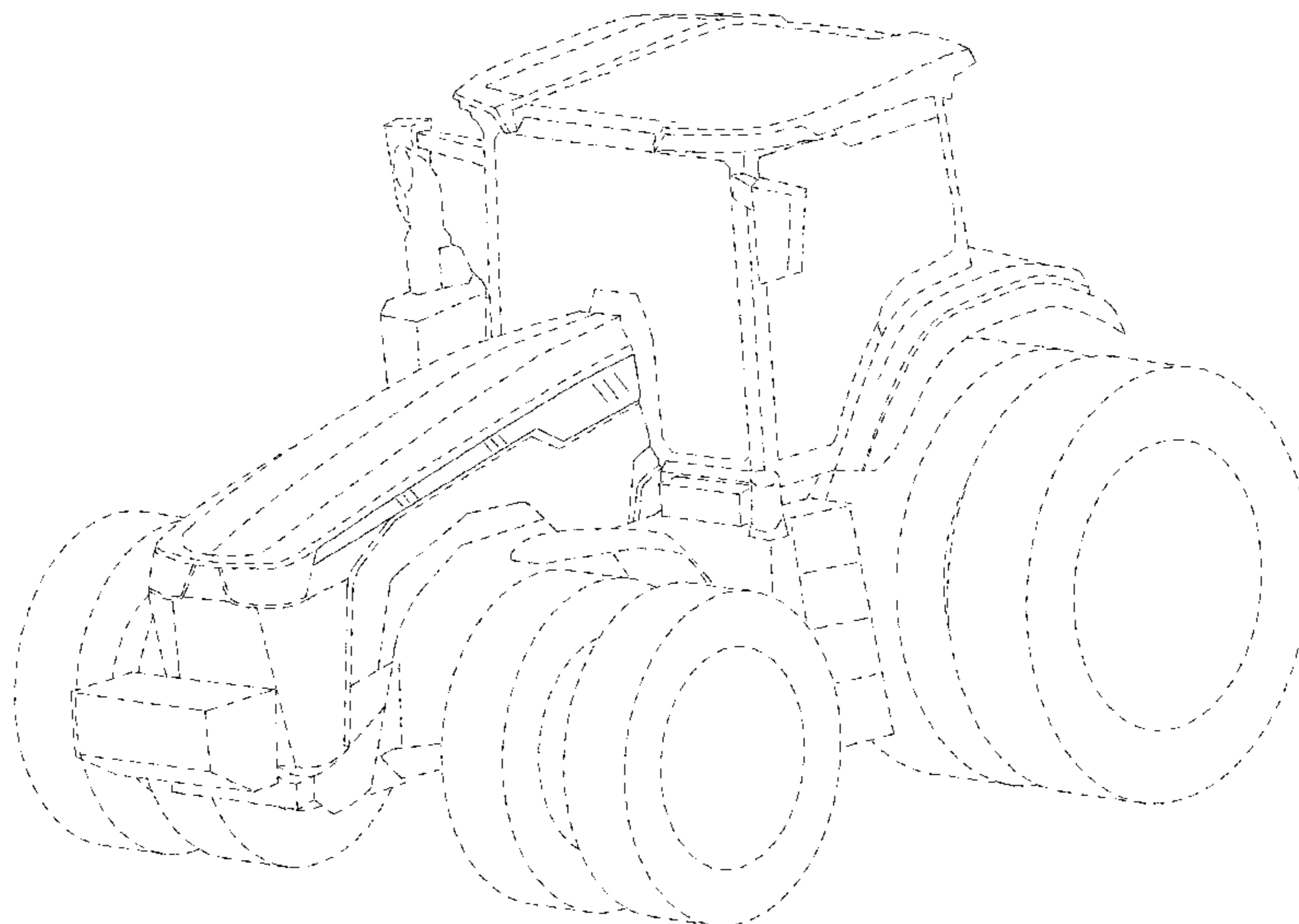
USPC D15/10, 11, 13-17, 28, 22-26, 30, 31;
D12/173; 56/13.3, 13.4, 15.8, 15.9,
56/320.1; 180/89.1, 89.12, 900, 69.2,
180/68.1, 69.1

FIG. 1 is a top, front, left perspective view of a portion of a work machine embodying our new design; FIG. 2 is a left side elevational view thereof; and, FIG. 3 is a right side elevational view thereof. The broken line representations in the figures show unclaimed environment or boundaries, and thus form no part of the claimed design.

CPC B62D 49/00-085; B62D 25/10; B62D 25/00; B60R 19/52; B60R 21/38

See application file for complete search history.

1 Claim, 3 Drawing Sheets



(56)

References Cited

U.S. PATENT DOCUMENTS

D353,704 S	12/1994	Bhambra	D602,507 S	10/2009	Kushita
D398,616 S	9/1998	Kwak et al.	D602,616 S	10/2009	Okamura et al.
D416,266 S	11/1999	Del Torchio	D602,991 S	10/2009	Sauter
D419,164 S	1/2000	Heiler et al.	D603,881 S	11/2009	Tamplain, III et al.
D424,580 S	5/2000	Moehle et al.	D605,207 S	12/2009	Menges et al.
6,058,637 A	5/2000	Duncan	D605,668 S	12/2009	Matsumoto et al.
D430,579 S	9/2000	Westendorf et al.	D607,391 S	1/2010	Krauss
D443,852 S	6/2001	Huang	D609,750 S	2/2010	Sauter
D447,153 S	8/2001	Hornung	D611,963 S	3/2010	Kuwae et al.
D447,754 S	9/2001	Smith et al.	D613,220 S	4/2010	Ikeda et al.
D448,037 S	9/2001	Westimayer et al.	D613,224 S	4/2010	Beigel et al.
D451,106 S	11/2001	Crookes et al.	D613,313 S	4/2010	Bhanuprakash
D451,870 S	12/2001	Hurayt	D614,105 S	4/2010	Elliott et al.
D458,944 S	6/2002	Crookes et al.	D614,205 S	4/2010	Kuwae et al.
D470,811 S	2/2003	Carroll	D620,157 S	7/2010	Frenzel et al.
D471,142 S	3/2003	Carroll	D620,503 S	7/2010	Krogh et al.
D471,143 S	3/2003	Carroll	D620,955 S	8/2010	Krogh et al.
6,595,550 B1	7/2003	Meazzi	D621,757 S	8/2010	Net
D483,383 S	12/2003	Crookes et al.	D623,104 S	9/2010	Akasawa et al.
D484,080 S	12/2003	Yamamoto et al.	D625,741 S	10/2010	Seidel et al.
D492,922 S	7/2004	Numata	D628,599 S	12/2010	Major
D495,344 S	8/2004	Farlow et al.	D629,017 S	12/2010	Major
D495,345 S	8/2004	Farlow et al.	D629,818 S	12/2010	Rummer et al.
D496,314 S	9/2004	Perfetti et al.	D631,489 S	* 1/2011	Booth D15/31
D499,680 S	12/2004	Lucas	D632,312 S	2/2011	Booth et al.
D512,079 S	11/2005	Farlow et al.	D632,704 S	2/2011	Seidel et al.
D512,445 S	12/2005	Farlow et al.	D636,000 S	4/2011	Kim et al.
D517,121 S	3/2006	Li	D637,127 S	5/2011	Faghihzadeh
D520,527 S	5/2006	Crookes et al.	D641,027 S	7/2011	Kawashiri et al.
D521,532 S	5/2006	Higashikawa	D642,597 S	8/2011	Krogh et al.
D522,425 S	6/2006	Beigel et al.	D643,444 S	8/2011	Colvin et al.
D528,134 S	9/2006	Vandendriessche et al.	D646,305 S	10/2011	Krogh et al.
D531,646 S	11/2006	McCarren, Jr. et al.	D646,333 S	10/2011	Davis
D531,647 S	11/2006	Stender et al.	D649,584 S	11/2011	Kovaliv
D533,569 S	12/2006	Mursch	D650,816 S	12/2011	Koponen et al.
D533,882 S	12/2006	Higashikawa	D655,317 S	3/2012	Ie
D541,825 S	5/2007	Pettersson	D655,318 S	3/2012	Ie
D541,826 S	5/2007	Brush et al.	D659,060 S	5/2012	Inoue et al.
D546,254 S	7/2007	Teng	D659,722 S	5/2012	Blind et al.
D546,255 S	7/2007	Teng	D660,753 S	5/2012	Faghihzadeh
D553,159 S	10/2007	Higashikawa et al.	D660,755 S	5/2012	Inoue et al.
D553,161 S	10/2007	Matsumoto	D660,874 S	5/2012	Werner et al.
D553,268 S	10/2007	Pfeiffer	D660,879 S	5/2012	Laugurette
D554,669 S	11/2007	Crookes et al.	D660,881 S	5/2012	Bohme et al.
D556,789 S	12/2007	Kitayama et al.	D661,323 S	6/2012	Krogh et al.
D557,714 S	* 12/2007	Higashikawa D15/31	D662,524 S	6/2012	Crookes et al.
D558,797 S	1/2008	Yamamoto et al.	D663,229 S	7/2012	Waltersdorf
D558,799 S	* 1/2008	Higashikawa D15/31	D663,752 S	7/2012	Hickman et al.
D560,693 S	1/2008	Moen et al.	D663,753 S	7/2012	Hickman et al.
D561,205 S	2/2008	Pettersson	D665,428 S	8/2012	Hickman et al.
D565,211 S	3/2008	Haller et al.	D665,429 S	8/2012	Hickman et al.
D567,257 S	4/2008	Wilkens	D667,851 S	9/2012	Warr
D568,905 S	5/2008	Heusinger et al.	D668,693 S	10/2012	Ringer
D570,015 S	5/2008	Hsu	D668,695 S	10/2012	Ringer
D570,378 S	6/2008	Heusinger et al.	D670,744 S	11/2012	Ewringmann
D570,382 S	* 6/2008	Higashikawa D15/31	D670,745 S	11/2012	Warr
D571,378 S	6/2008	Bernard et al.	D671,566 S	11/2012	Fang et al.
D574,022 S	* 7/2008	Higashikawa D15/31	D673,489 S	1/2013	Hanson et al.
D579,028 S	10/2008	DeVeer et al.	D674,410 S	1/2013	Blind et al.
D581,467 S	11/2008	Winningham et al.	D674,820 S	1/2013	Budde
D581,955 S	12/2008	Matsumoto et al.	D674,821 S	1/2013	Budde
D591,437 S	4/2009	Saridakis et al.	D674,938 S	1/2013	Lai
D591,777 S	* 5/2009	Kokitkar D15/31	D675,233 S	* 1/2013	Kushita D15/31
D593,233 S	5/2009	Bai et al.	D676,463 S	2/2013	Ewringmann et al.
D594,797 S	6/2009	Lee	D676,466 S	2/2013	Ewringmann et al.
D594,908 S	6/2009	Sauter	D676,786 S	2/2013	Werner et al.
D595,778 S	7/2009	Sauter	D682,323 S	5/2013	Ryan et al.
D595,779 S	7/2009	Sauter	D682,324 S	5/2013	Ryan et al.
D596,205 S	7/2009	Kawashiri et al.	D688,176 S	8/2013	Campbell et al.
D596,671 S	7/2009	Sauter	D690,635 S	10/2013	Hovind et al.
D597,007 S	7/2009	Ferman	D697,536 S	1/2014	Nuebel
D598,831 S	8/2009	Honsel et al.	D699,765 S	2/2014	Tenting et al.
D600,183 S	9/2009	Habib	D699,766 S	2/2014	Ryan et al.
D600,185 S	9/2009	Habib	D702,608 S	4/2014	Hall et al.
D602,047 S	10/2009	Kushita et al.	D702,610 S	4/2014	Hall et al.
			D703,699 S	4/2014	Shimomura et al.
			D704,749 S	5/2014	Shimomura et al.
			D704,750 S	5/2014	Shimomura et al.
			D706,841 S	* 6/2014	Shimomura D15/31

(56)

References Cited

U.S. PATENT DOCUMENTS

D707,729 S * 6/2014 Jackson D15/31
 D707,730 S 6/2014 Jackson et al.
 D709,419 S 7/2014 Watkins
 D710,264 S 8/2014 Watkins et al.
 D711,302 S 8/2014 Van Braeckel
 D711,930 S 8/2014 Kuwae et al.
 D714,838 S * 10/2014 Shimomura D15/31
 D715,332 S 10/2014 Kuwae
 D716,348 S 10/2014 Ryan et al.
 D716,846 S * 11/2014 Carter D15/31
 D717,838 S 11/2014 Kuwae et al.
 D720,370 S 12/2014 Carter et al.
 D720,371 S * 12/2014 Furukawa D15/31
 D720,871 S 1/2015 Lim et al.
 D721,105 S 1/2015 Okuyama et al.
 D721,742 S 1/2015 Lee et al.
 D721,994 S 2/2015 Graber et al.
 D727,371 S 4/2015 Rhayakar et al.
 D728,631 S 5/2015 Richard et al.
 D728,640 S 5/2015 Turner et al.
 D729,281 S 5/2015 Carter et al.
 D729,282 S 5/2015 Sasaki
 D733,767 S * 7/2015 Kushita D15/31
 D734,781 S 7/2015 Schnering
 D736,270 S 8/2015 Jackson et al.
 D740,976 S 10/2015 Ko et al.
 D743,065 S 11/2015 Weil
 D748,677 S 2/2016 Kushita et al.
 D749,148 S 2/2016 Darekar et al.
 D751,611 S 3/2016 Smith et al.
 D753,194 S * 4/2016 Jackson D15/31
 D753,195 S * 4/2016 Jackson D15/31
 D754,210 S 4/2016 Margutti et al.
 D755,256 S 5/2016 Okuyama et al.
 D756,003 S 5/2016 Kong et al.
 D756,421 S 5/2016 Okuyama et al.
 D757,826 S * 5/2016 Hartz D15/31
 D759,129 S * 6/2016 Kushita D15/31
 D760,410 S 6/2016 Arroba
 D760,815 S * 7/2016 Okuyama D15/31
 D763,756 S 8/2016 Enz
 D765,740 S * 9/2016 Jackson D15/31
 D766,340 S * 9/2016 Jackson D15/31
 D766,341 S * 9/2016 Jacobsthal D15/31
 D768,210 S * 10/2016 Jacobsthal D15/31
 D772,309 S 11/2016 Underhill et al.
 D774,111 S 12/2016 Underhill et al.
 D775,033 S 12/2016 Wang
 D775,244 S 12/2016 Hart et al.
 D777,215 S 1/2017 Moritaka et al.
 D777,219 S 1/2017 Hanke et al.
 D777,220 S * 1/2017 Powell D15/31
 D777,805 S 1/2017 Steinhardt et al.
 D777,957 S 1/2017 Ha et al.
 D778,963 S * 2/2017 Yang D15/31
 D780,231 S 2/2017 Saari et al.
 D780,232 S 2/2017 Saari et al.
 D780,233 S 2/2017 Saari et al.
 D780,235 S 2/2017 Kim
 D783,059 S 4/2017 Okuyama et al.
 D783,476 S 4/2017 Huang
 D784,425 S 4/2017 Cooksey et al.
 D784,887 S 4/2017 Woolley
 D785,050 S 4/2017 Okuyama et al.
 D785,051 S 4/2017 Okuyama et al.
 D785,053 S 4/2017 Okuyama et al.
 D785,681 S * 5/2017 Okuyama D15/31
 D786,945 S 5/2017 Smith et al.
 D787,721 S 5/2017 Lai
 D789,427 S 6/2017 Jackson et al.
 D791,659 S 7/2017 Ito et al.
 D792,300 S 7/2017 Ferman
 D792,483 S 7/2017 Jackson et al.
 D794,521 S 8/2017 Tseng
 D797,332 S 9/2017 Lin

D800,038 S 10/2017 Ferman
 D802,871 S 11/2017 Knie
 D803,435 S 11/2017 Cotner et al.
 D804,539 S * 12/2017 Okuyama D15/31
 D808,315 S 1/2018 Danze
 D809,682 S 2/2018 Lin
 D815,001 S 4/2018 Banceu et al.
 D815,577 S 4/2018 Chiang
 D822,241 S 7/2018 Lee et al.
 D824,058 S 7/2018 Hong et al.
 D824,305 S 7/2018 Henry et al.
 D828,245 S 9/2018 Scott
 D837,837 S * 1/2019 Park D15/31
 D843,421 S * 3/2019 Gonzales D15/31
 D854,056 S * 7/2019 Futagami D15/31
 D863,160 S 10/2019 Gifford et al.
 D865,600 S 11/2019 Goodrich et al.
 D867,249 S 11/2019 Chen
 D895,730 S 9/2020 Nagelin et al.
 D902,815 S 11/2020 Wheel
 2004/0123504 A1 7/2004 Williams, Jr.
 2014/0217718 A1 8/2014 O'Donnell et al.
 2015/0307033 A1 10/2015 Preisler et al.
 2018/0117954 A1 5/2018 Brown

FOREIGN PATENT DOCUMENTS

KR 300611812 S 9/2011
 KR 300789169 3/2015

OTHER PUBLICATIONS

Agco, Fendt 200 Vario, publicly available before May 2015, 17 pages.
 Big 4, available at least as early as May 2015, 1 page.
 CASE Farmall A Series Tractors Brochure, 2011, 7 pages.
 CASE Farmall C Tractors Brochure, 2013, 16 pages.
 CASE Farmall U Tractors Brochure 11-13, 2013, 12 pages.
 CASE Magnum 180-380 Brochure, 2014, 28 pages.
 CASE Maxxum Series Tractors Brochure, 2012, 24 pages.
 CASE Puma Series Brochure, 2011, 28 pages.
 CASE Steiger Tractor Brochure, 2014, 32 pages.
 Challenger MT 465 B Tractor Decals, retrieved from Internet <<https://equipment-decals.myshopify.com/products/challenger-mt-465-b-tractor-decals>> Jun. 26, 2019, 5 pages.
 Cub Cadet, available at least as early as May 2015, 1 page.
 Deere & Co., Deere 8 Series, 2015, 6 pages.
 Deere flared fenders, publicly available before May 2015, 1 page.
 Deere reverse decal, publicly available before May 2015, 1 page.
 Deutz 308 Series 7, publicly available before May 2015, 28 pages.
 Deutz 5 series brochure, publicly available before May 2015, 24 pages.
 Deutz agrofarm-g brochure, publicly available before May 2015, 11 pages.
 Deutz-Fahr (7250 TTV Warrior), available at least as early as May 2015, 4 pages.
 Deutz-Fahr 6 Series, publicly available before May 2015, 32 pages.
 Deutz-Fahr, Deutz Agroclimber F-V—Tractors Crawlers, retrieved from internet <<https://www.deutz-fahr.com/en-US/products/tractors/722-agroclimber-f-v>> May 19, 2015, 5 pages.
 Deutz-Fahr, Deutz Agrolux 310-320-410—Tractors Open field, retrieved from internet <<http://www.deutz-fahr.com/en-US/products/tractors/864-agrolux-310-320-410>> May 19, 2015, 4 pages.
 Deutz-Fahr, Deutz Agrolux 65-75—Tractors Open field, retrieved from internet <<http://deutz-fahr.com/en-US/products/tractors/835-agrolux-65-75>> May 19, 2015, 4 pages.
 International Harvester, available at least as early as May 2015, 1 page.
 John Deere Pedal Tractor Decals Tractors, retrieved from internet <<http://todayview.co/ideas/>> Jun. 26, 2019, 3 pages.
 Mahindra Jivo 245, retrieved from internet <<https://tractorsinfo.com/mahindra-jivo-245-di-4wd-mini-tractor-price-list/>> Jun. 26, 2019, 9 pages.

(56)

References Cited

OTHER PUBLICATIONS

Mahindra targets 50% share in domestic market with Trakstar brand, retrieved from internet <<https://www.moneycontrol.com/news/technology/auto/mahindra-targets-50-share-in-domestic-tractor-market-with-trakstar-brand-2645381.html>> Jun. 27, 2019, 6 pages.

Mahindra Tractor Jivo 245 DI, retrieved from internet <<https://www.tractorjunction.com/product/370/mahindra-tractor-jivo-245-di>> Jun. 26, 2019, 5 pages.

Massey Ferguson, available at least as early as May 2015, 1 page.

Solis 75N Traktor Schlepper Kein New Holland, retrieved from internet <<https://www.mascus.com/agriculture/used-tractors/solis-75n-traktor-schlepper-kein-new-h>> Jun. 26, 2019, 3 pages.

Tractor Decals, retrieved from internet <<https://www.indiamart.com/proddetail/tractor-decals-10179545988.html>>, Jun. 29, 2019, 4 pages.

Agritechnica 2017—Gold and Silver, <https://www.agritechnica.com/en/innovation-award/gold-and-silver/>, accessed Dec. 5, 2017, 18 pages.

AGCO, Fendt 300 Vario Power and Profi equipment, 2015, 12 pages.

AGCO, Fendt 500 Vario Model versions, Technical Specifications, 2015, 1 page.

AGCO, Fendt 700 Series, 2015 AGCO, 32 pages.

AGCO, Fendt 800 Series, 2014 AGCO, 4 pages.

AGCO, Fendt 900 Vario, 2014, 39 pages.

AGCO, Fendt X Concept Tractors, <http://www.fendt.com/us/2466.asp>, accessed May 18, 2015, 3 pages.

Hagner et al., Operator Station for Work Vehicle, unpublished U.S. design U.S. Appl. No. 29/647,298, filed May 11, 2018, 101 pages.

* cited by examiner

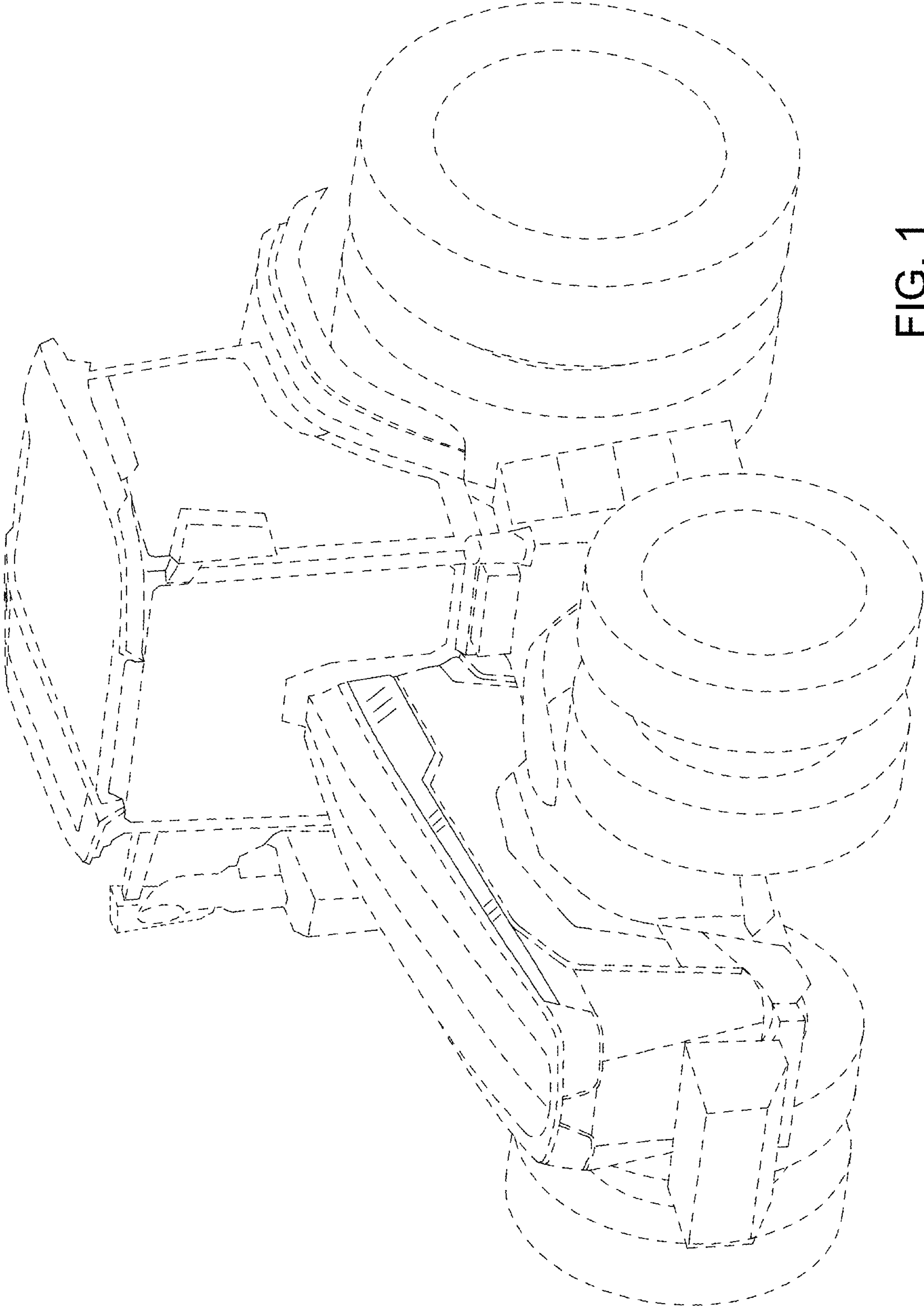


FIG. 1

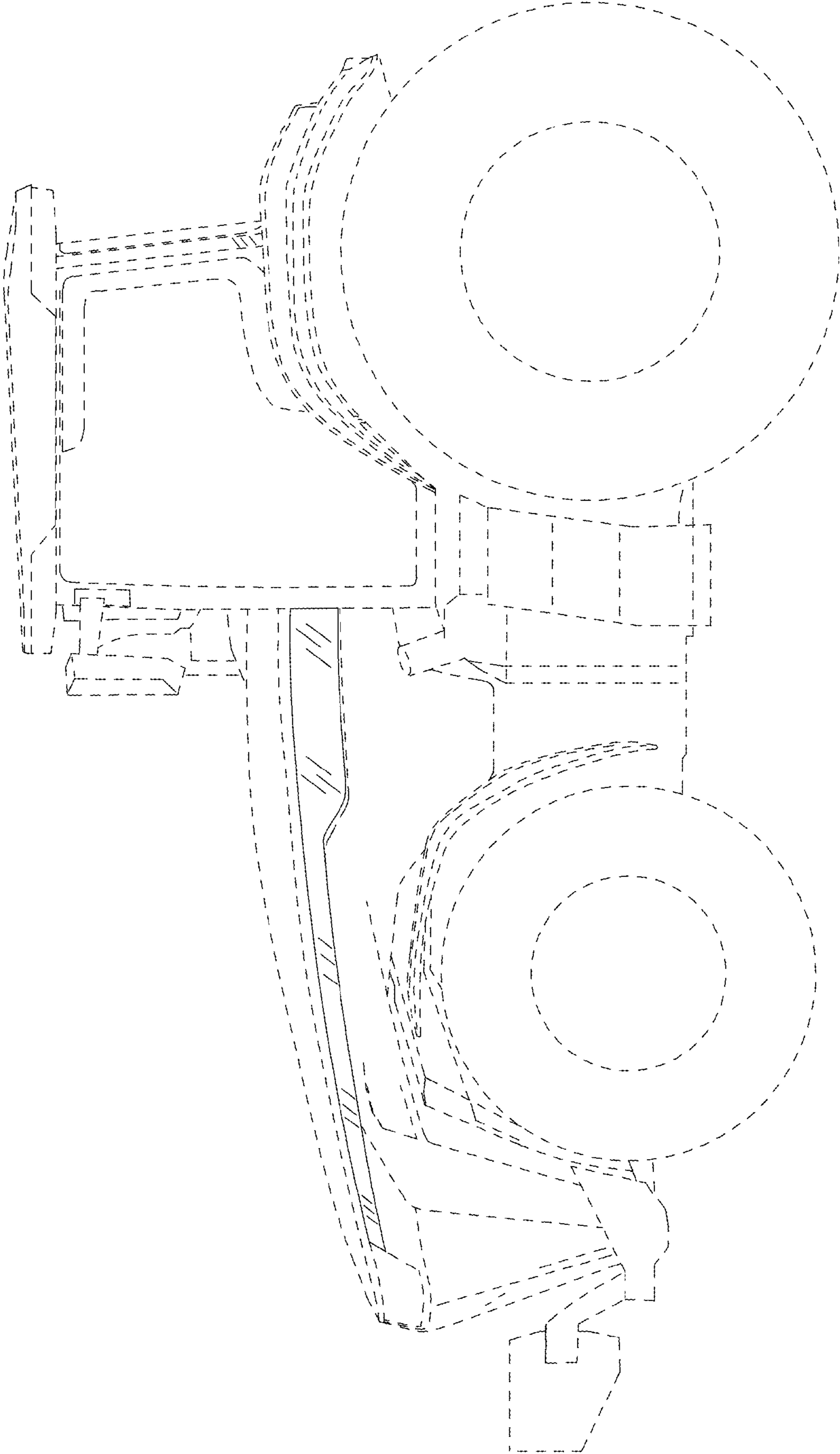


FIG. 2

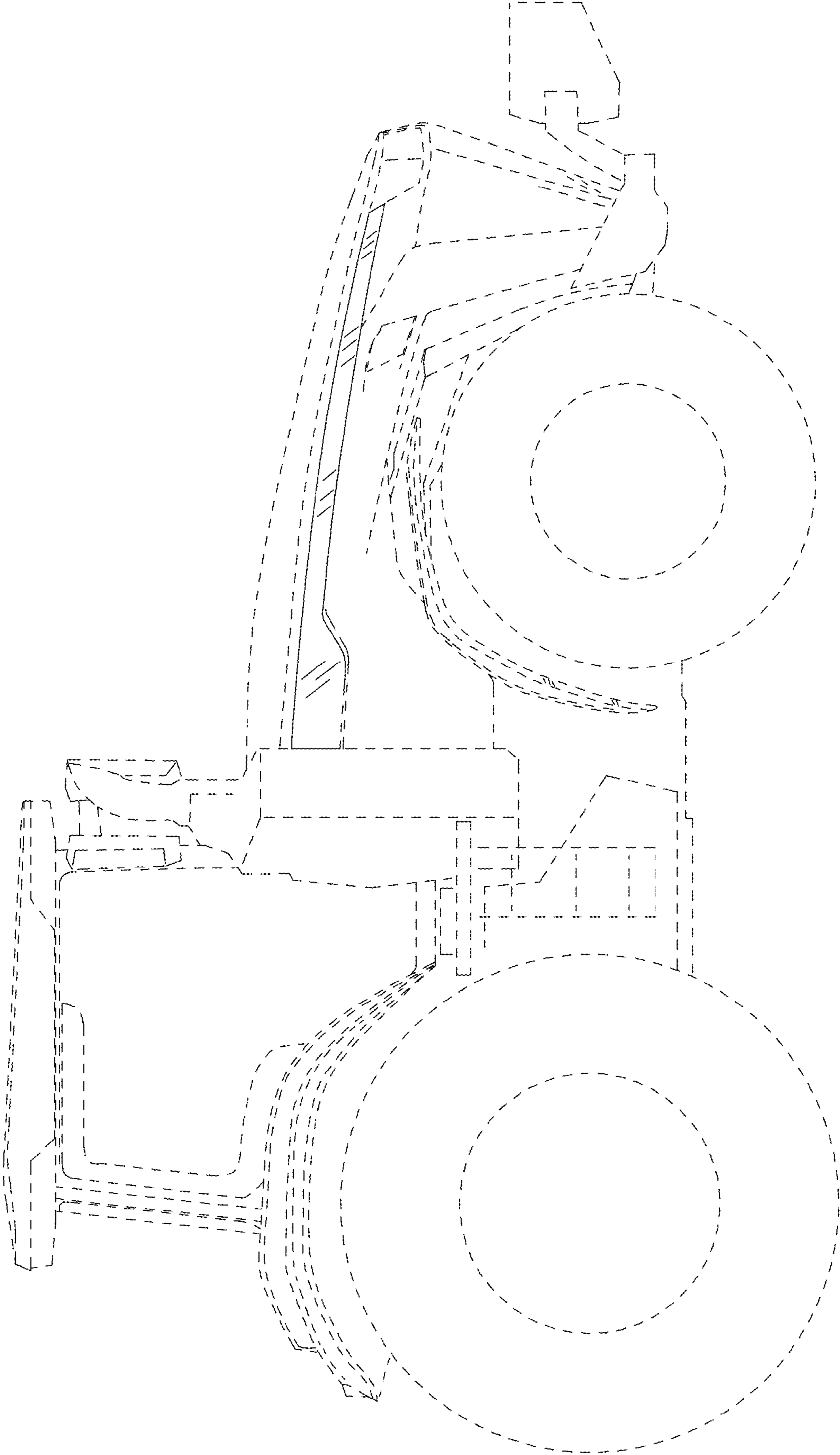


FIG. 3