



US00D936710S

(12) **United States Design Patent** (10) **Patent No.:** **US D936,710 S**
Stanley et al. (45) **Date of Patent:** **** Nov. 23, 2021**

(54) **LAND CLEARING TOOL INTERFACE**

CPC E02F 9/2833; E02F 9/2841; E02F 9/28
See application file for complete search history.

(71) Applicant: **Fecon, LLC**, Lebanon, OH (US)

(56) **References Cited**

(72) Inventors: **Jeffrey Stanley**, Lebanon, OH (US);
Robert Hentz, Hamilton, OH (US)

U.S. PATENT DOCUMENTS

(73) Assignee: **Fecon, LLC**, Lebanon, OH (US)

- 3,490,117 A * 1/1970 Hertel B23B 27/1614
407/104
- 6,045,072 A * 4/2000 Zehr B02C 13/2804
241/189.1
- 6,047,749 A * 4/2000 Lamb A01G 23/067
144/218
- D424,076 S * 5/2000 Dibbern D15/140
- 6,059,373 A * 5/2000 Wright E21C 35/18
299/104
- 6,089,480 A * 7/2000 Rawlings B02C 18/144
241/189.1

(**) Term: **15 Years**

(21) Appl. No.: **29/786,086**

(22) Filed: **May 28, 2021**

Related U.S. Application Data

(Continued)

(60) Continuation of application No. 29/764,864, filed on Jan. 4, 2021, which is a division of application No. 29/650,678, filed on Jun. 8, 2018, now Pat. No. Des. 914,064, which is a division of application No. 29/611,032, filed on Jul. 18, 2017, now Pat. No. Des. 821,455, which is a division of application No. 29/571,065, filed on Jul. 14, 2016, now Pat. No. Des. 795,931, which is a division of application No. 29/560,329, filed on Apr. 5, 2016, now Pat. No. Des. 791,195, which is a division of application No. 29/466,991, filed on Sep. 13, 2013, now Pat. No. Des. 757,124, which is a continuation of application No. 12/918,677, filed as application No. PCT/US2009/034872 on Feb. 23, 2009, now Pat. No. 8,540,033.

Primary Examiner — Mark A Goodwin

(74) *Attorney, Agent, or Firm* — Ulmer & Berne LLP

(51) **LOC (13) Cl.** **15-03**

(57) **CLAIM**

(52) **U.S. Cl.**

The ornamental design of a land clearing tool interface, as shown and described.

USPC **D15/28**

DESCRIPTION

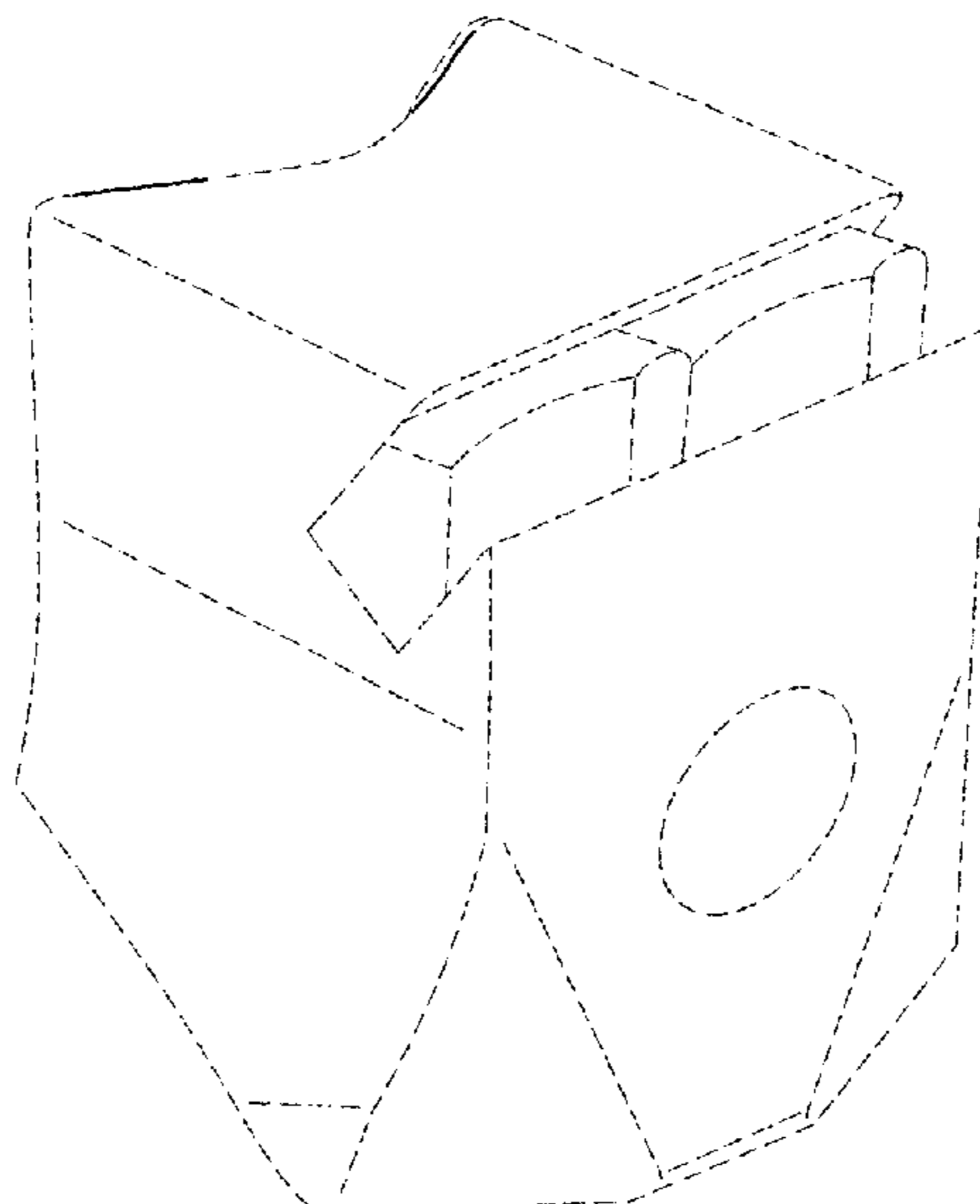
(58) **Field of Classification Search**

USPC D15/20, 21, 28, 29; 172/548, 540, 122, 172/554; 241/294, 242, 300, 189, 194, 241/195; 37/454, 453, 456, 452; 404/121, 235, 24.12, 34.1, 4.1; 144/241, 144/235, 24.12, 34.1, 4.1; 83/840; 56/13.6

FIG. 1 is a left perspective view of a land clearing tool interface;
FIG. 2 is a right rear perspective view thereof;
FIG. 3 is a top view thereof;
FIG. 4 is a left side view thereof;
FIG. 5 is a front view thereof;
FIG. 6 is a right side view thereof;
FIG. 7 is a back view thereof; and,
FIG. 8 is a bottom view thereof.

The broken line showing in the drawings is included for the purpose of illustrating portions of the land clearing tool interface and forms no part of the claimed design. The dot-dash broken lines represent the bounds of the claimed design.

1 Claim, 3 Drawing Sheets



(56)

References Cited

U.S. PATENT DOCUMENTS

D435,571 S * 12/2000 Dibbern D15/140
 6,176,445 B1 * 1/2001 Shinn A01G 23/067
 241/294
 6,193,430 B1 * 2/2001 Culpepper B23P 19/10
 403/13
 6,247,757 B1 * 6/2001 Cochran E01C 23/088
 172/78
 D446,224 S * 8/2001 Clendenning D15/29
 D447,154 S * 8/2001 Clendenning D15/29
 6,422,495 B1 * 7/2002 De Boef B02C 13/06
 241/197
 6,435,434 B1 * 8/2002 Monyak B02C 13/2804
 241/197
 6,502,609 B1 * 1/2003 Guels B23C 5/2221
 144/162.1
 6,517,274 B1 * 2/2003 Watanabe F02F 1/24
 277/591
 6,536,322 B1 * 3/2003 Butler B23D 61/06
 83/840
 6,682,262 B2 * 1/2004 Caron E02D 3/026
 404/124
 D486,503 S * 2/2004 East D15/133
 6,708,431 B2 * 3/2004 Robinson E02F 9/2833
 37/456
 6,712,551 B2 * 3/2004 Livesay B60B 15/025
 404/121
 D488,174 S * 4/2004 East D15/139
 6,725,758 B2 * 4/2004 MacLennan B23D 61/04
 83/839
 6,764,035 B2 * 7/2004 Denis A01G 23/00
 241/101.72
 6,810,783 B1 * 11/2004 Larose B23D 61/06
 144/34.1
 6,837,453 B2 * 1/2005 Sturm B02C 18/145
 241/243
 7,108,452 B2 * 9/2006 Caron E02D 3/026
 404/124
 7,150,215 B2 * 12/2006 Krehel B23D 61/06
 83/839
 7,278,462 B2 * 10/2007 Purdy B22D 17/22
 164/137
 7,281,676 B1 * 10/2007 Bennington A01G 23/093
 241/294
 D567,832 S * 4/2008 Edwards D15/139
 7,448,567 B2 * 11/2008 Roozeboom B02C 13/06
 241/191
 7,584,921 B1 * 9/2009 Bennington A01G 23/093
 241/294
 7,713,006 B2 * 5/2010 MacLennan B28D 1/125
 407/113
 7,810,531 B2 * 10/2010 Labbe A01G 23/00
 144/231
 7,967,044 B2 * 6/2011 Labbe A01G 23/093
 144/231
 7,980,278 B2 * 7/2011 Labbe A01G 23/00
 144/231
 D647,928 S * 11/2011 MacLennan D15/139
 8,167,225 B2 * 5/2012 Gaudreault B02C 18/18
 241/294

8,167,226 B2 * 5/2012 Engnell B27L 11/005
 241/294
 8,550,391 B2 * 10/2013 Denis B02C 18/184
 241/294
 8,550,392 B2 * 10/2013 Nakagawa A01K 89/01901
 242/261
 8,807,868 B2 * 8/2014 Schlenker E01C 23/065
 404/92
 8,807,869 B1 * 8/2014 Lee B63B 22/20
 405/27
 8,893,998 B2 * 11/2014 Midorikawa B60R 22/44
 242/374
 D757,124 S * 5/2016 Stanley D15/28
 D772,951 S * 11/2016 Stanley D15/21
 D791,195 S * 7/2017 Stanley D15/28
 D795,929 S * 8/2017 Stanley D15/21
 D795,931 S * 8/2017 Stanley D15/28
 D821,455 S * 6/2018 Stanley D15/28
 D827,000 S * 8/2018 VanLue E21B 34/16
 D15/138
 D836,137 S * 12/2018 Stanley D15/28
 D861,740 S * 10/2019 Stanley D15/28
 D881,949 S * 4/2020 Stanley D15/29
 D912,706 S * 3/2021 Stanley D15/28
 D914,064 S * 3/2021 Stanley D15/28
 2002/0017580 A1 * 2/2002 Ragnarsson B02C 18/18
 241/294
 2002/0190148 A1 * 12/2002 Roozeboom B02C 13/06
 241/189.1
 2003/0192299 A1 * 10/2003 Kaga F16G 13/06
 59/5
 2004/0016153 A1 * 1/2004 Pippins E02F 9/2841
 37/456
 2005/0001084 A1 * 1/2005 Pizzuto B02C 18/18
 241/294
 2005/0098331 A1 * 5/2005 Edwards A01G 3/002
 172/701.3
 2006/0272183 A1 * 12/2006 Kergen A01B 33/021
 37/301
 2007/0193428 A1 * 8/2007 MacLennan B27B 33/144
 83/840
 2007/0194161 A1 * 8/2007 Doppstadt B02C 18/145
 241/294
 2007/0261762 A1 * 11/2007 Eriksson B27L 1/08
 144/208.1
 2008/0283257 A1 * 11/2008 Edwards A01B 33/103
 172/256
 2009/0014189 A1 * 1/2009 Stanley A01B 35/28
 172/109
 2010/0180735 A1 * 7/2010 MacLennan A01G 23/091
 83/13
 2011/0100658 A1 * 5/2011 Stanley A01B 33/142
 172/548
 2012/0032013 A1 * 2/2012 Rice B02C 23/16
 241/282.2
 2013/0099039 A1 * 4/2013 Gaudreault B02C 18/145
 241/282.2
 2013/0277476 A1 * 10/2013 Doppstadt B02C 13/28
 241/197
 2015/0173310 A1 * 6/2015 Willibald A01G 23/067
 241/277
 2017/0079219 A1 * 3/2017 Stanley B02C 18/145
 2017/0087558 A1 * 3/2017 Davis B02C 18/18

* cited by examiner

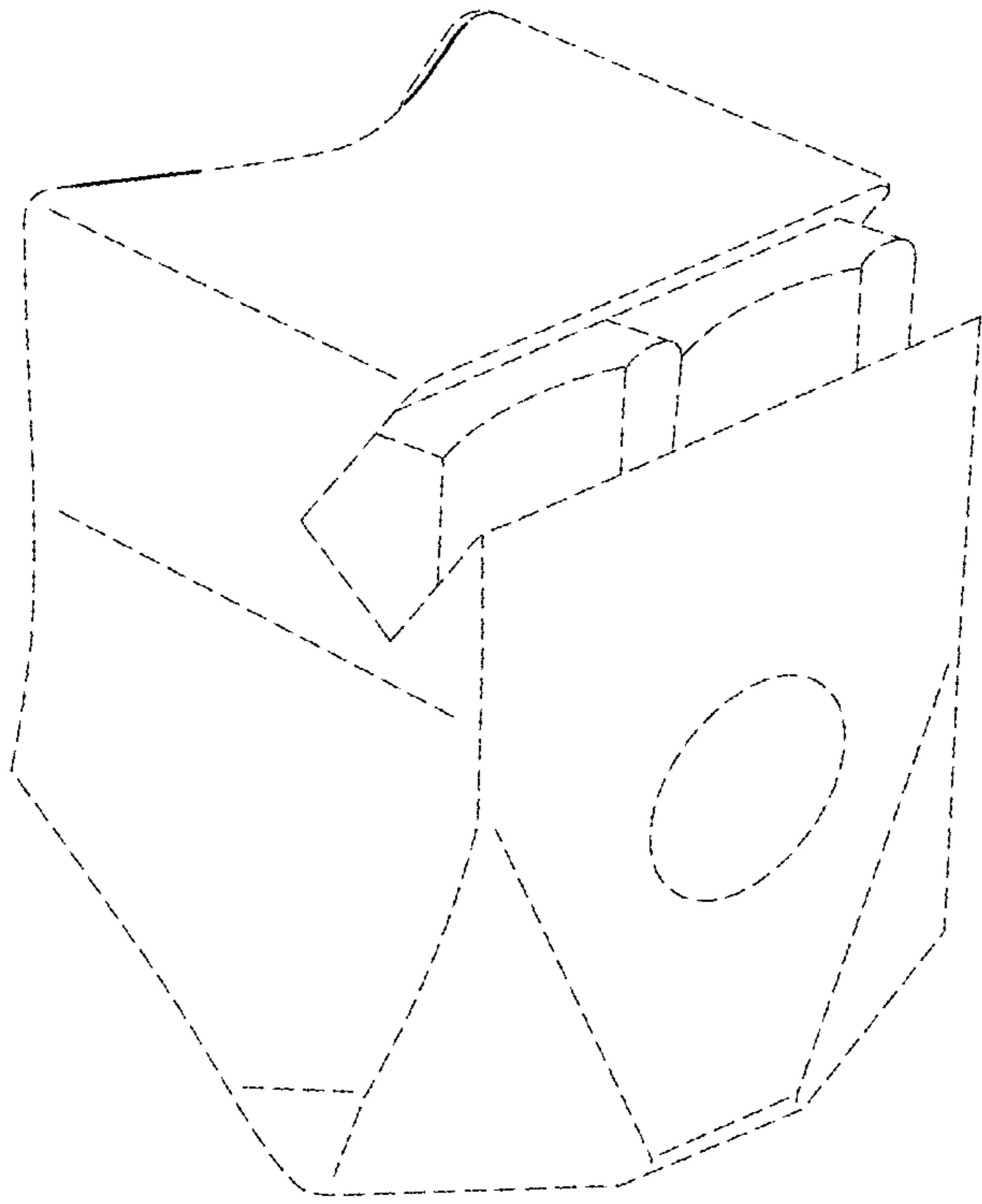


FIG. 1

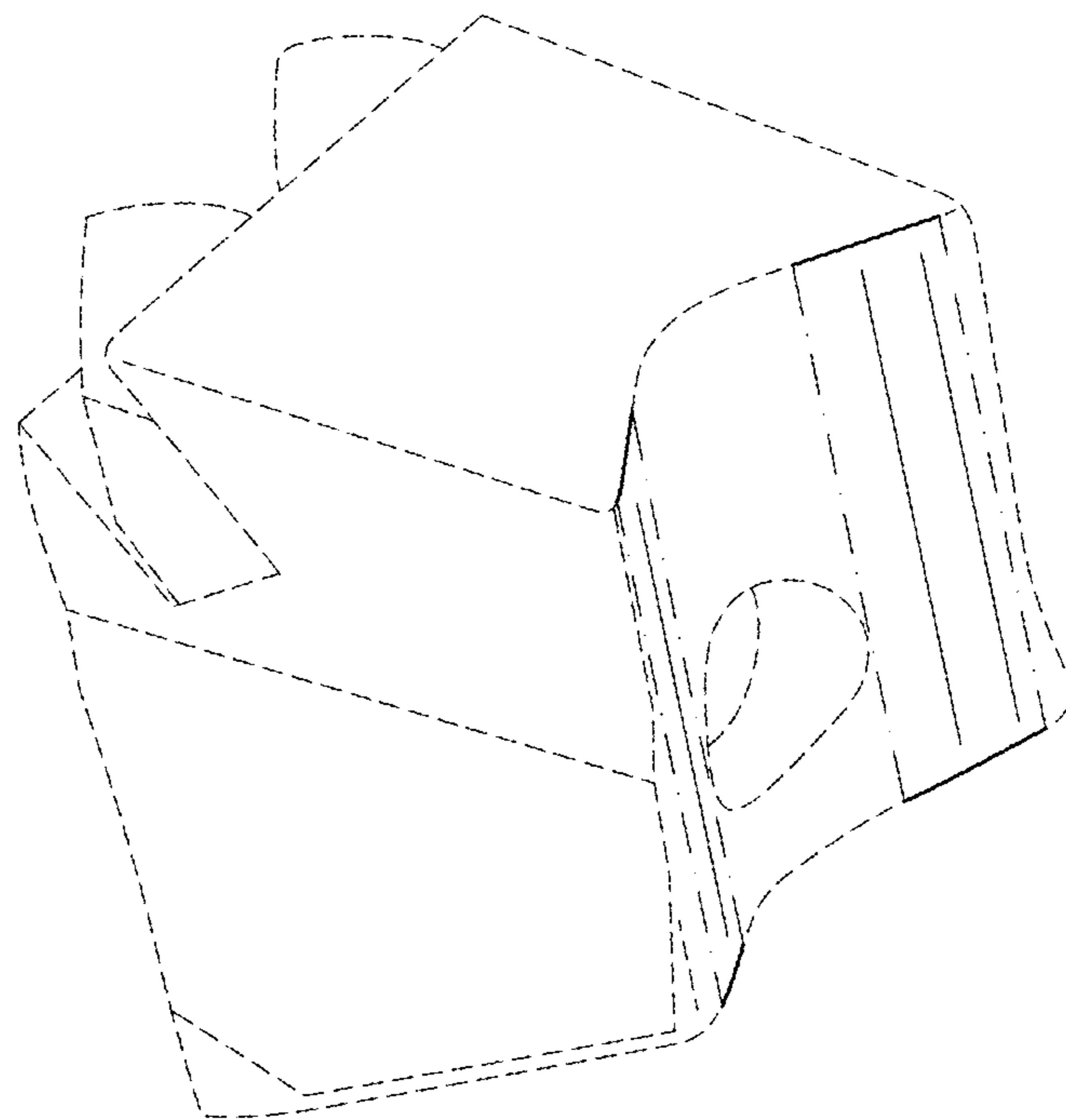


FIG. 2

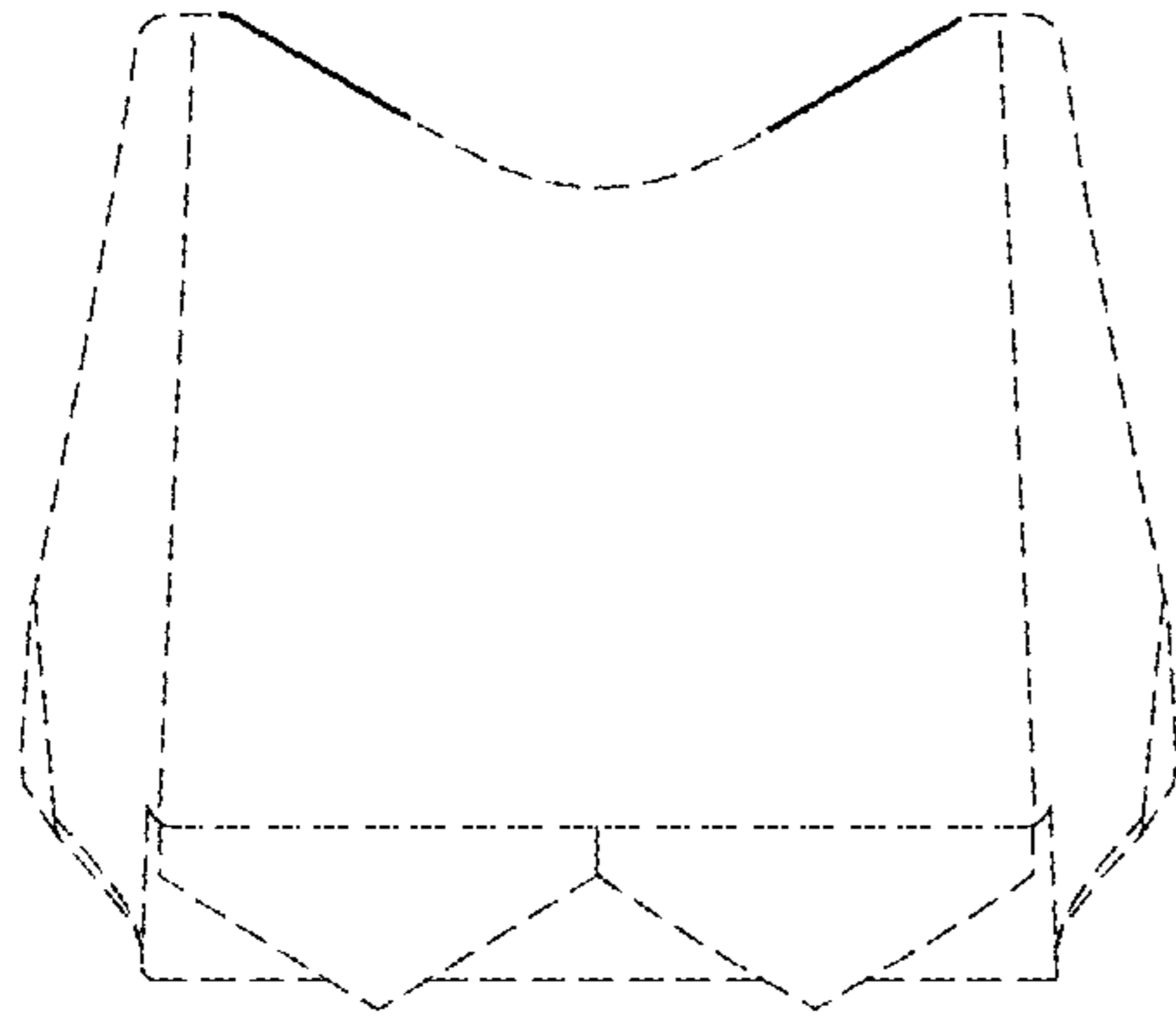


FIG. 3

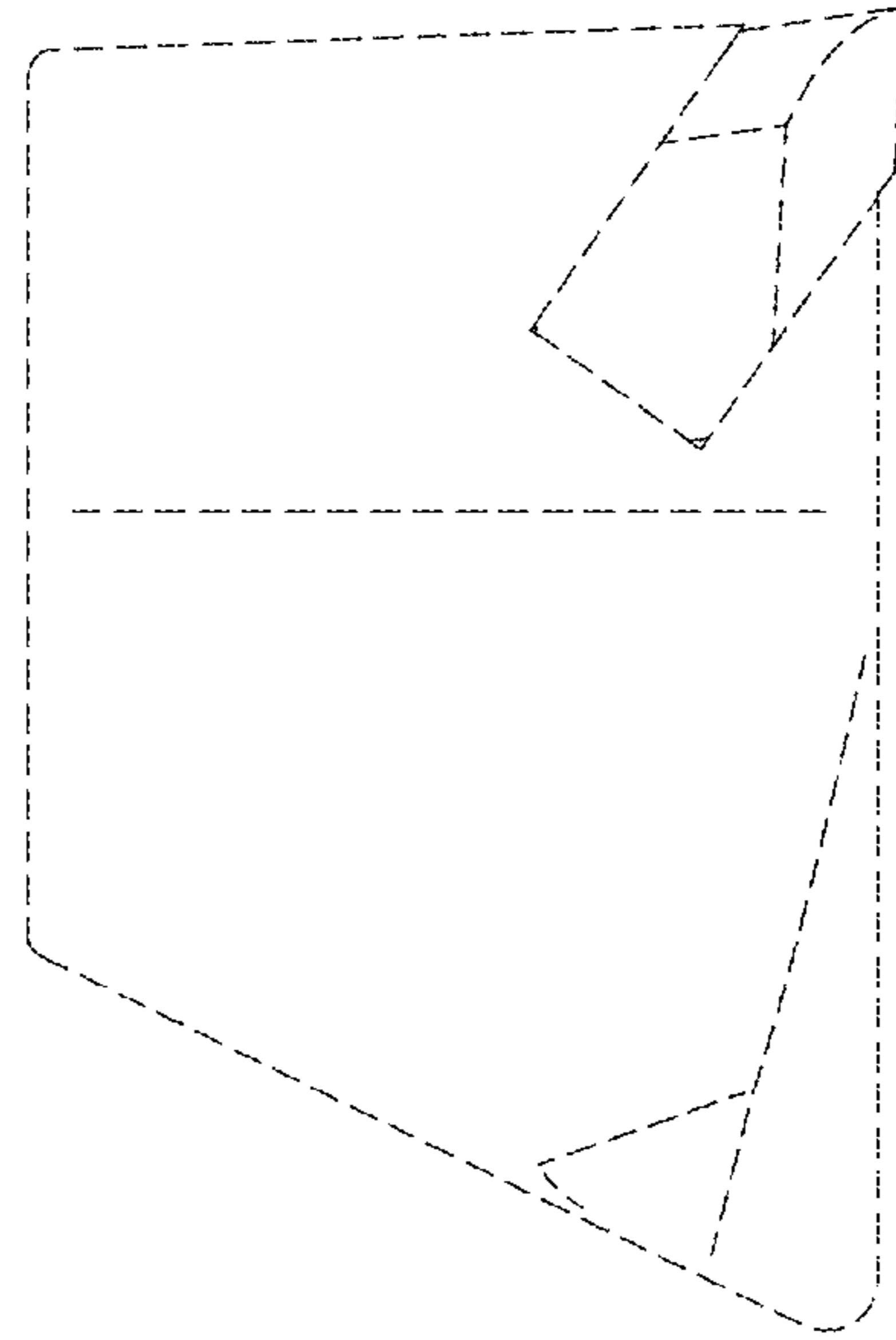


FIG. 4

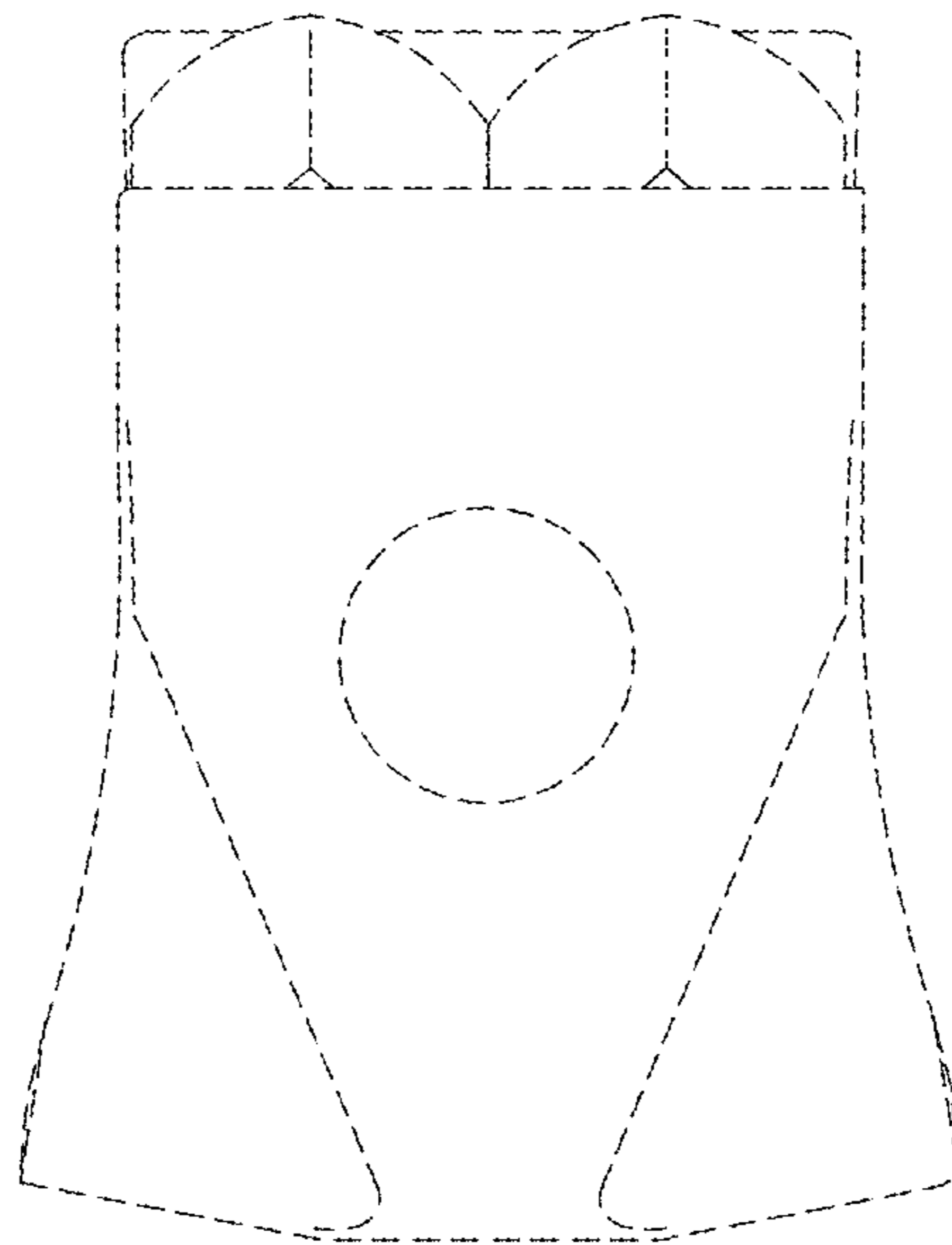


FIG. 5

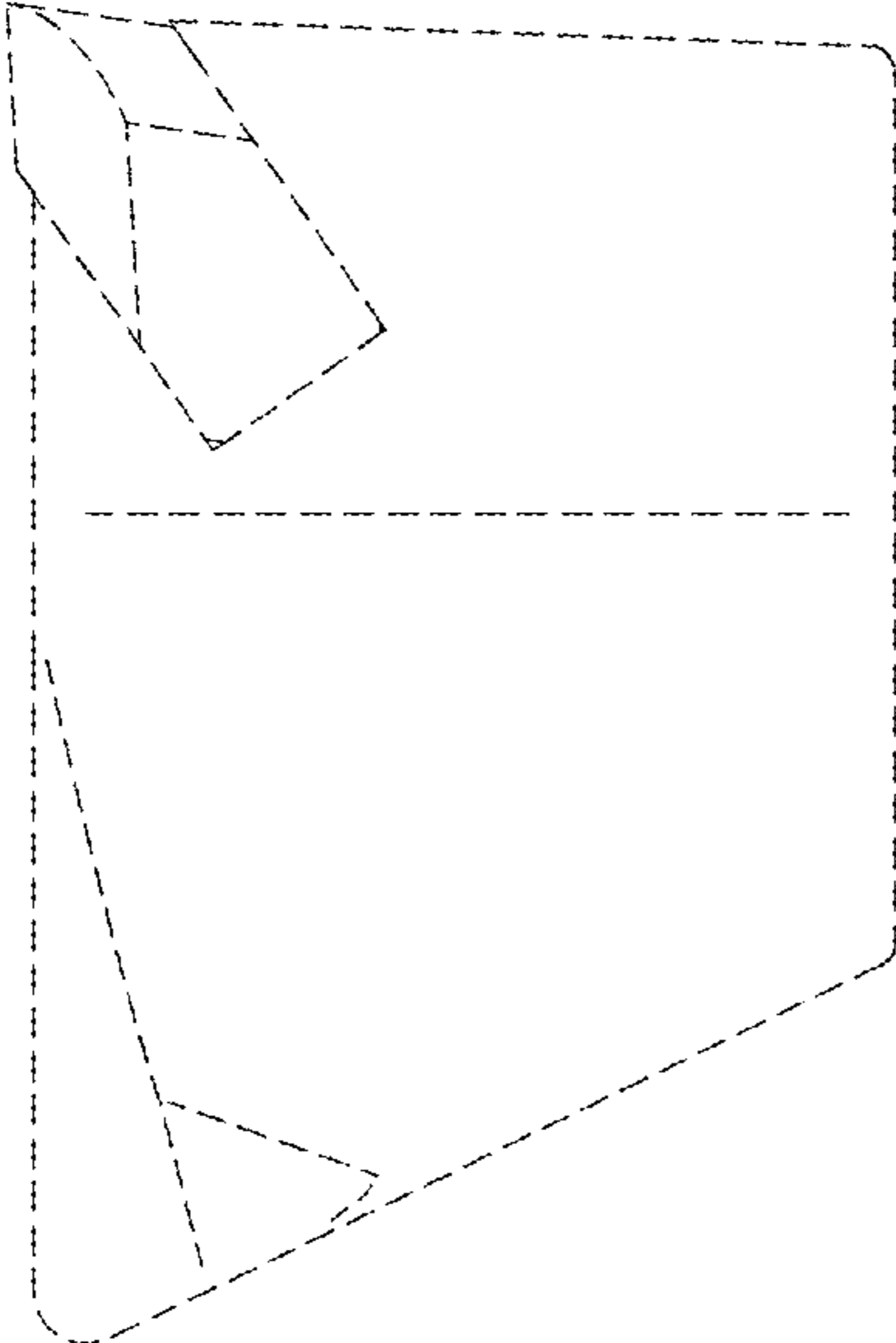


FIG. 6

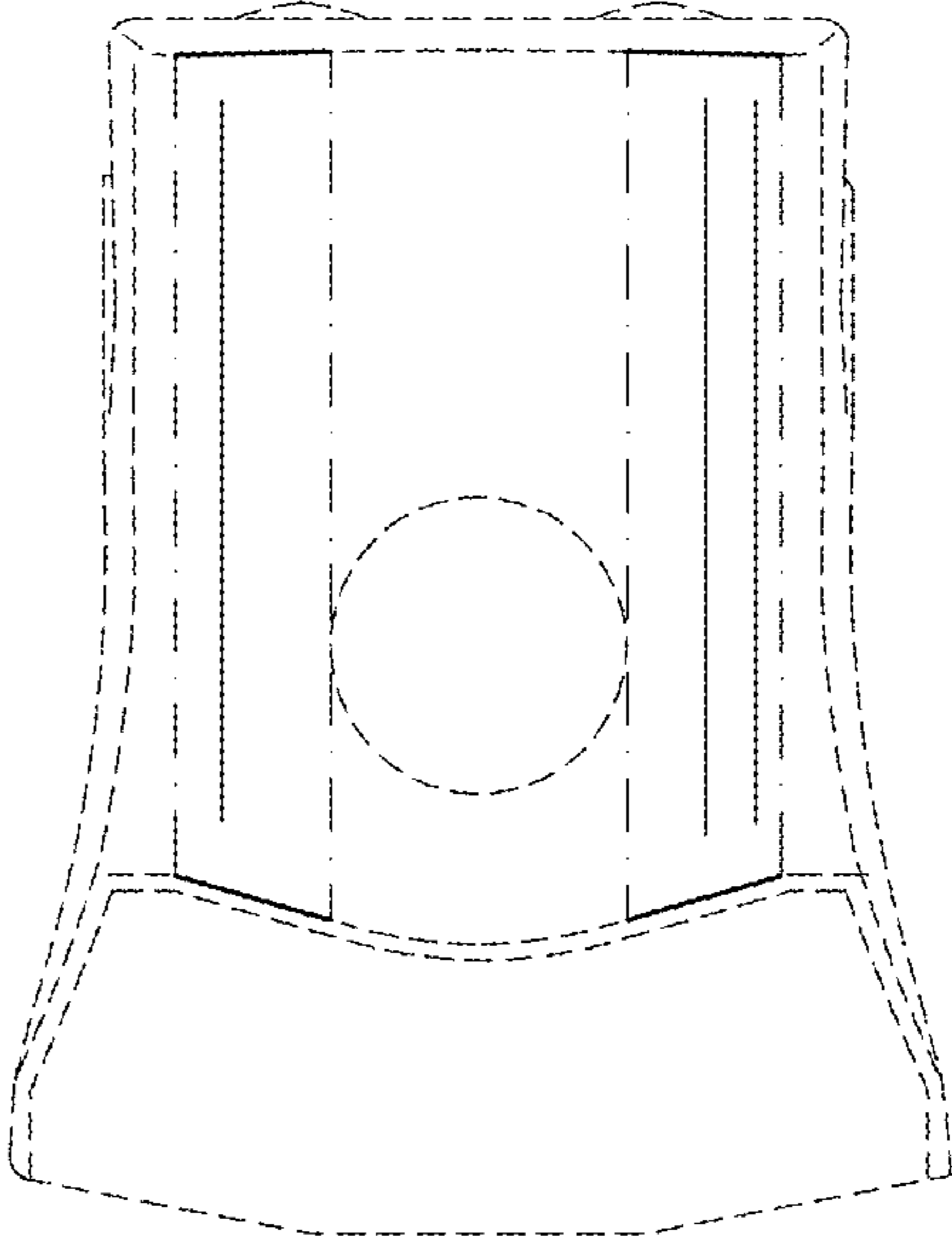


FIG. 7

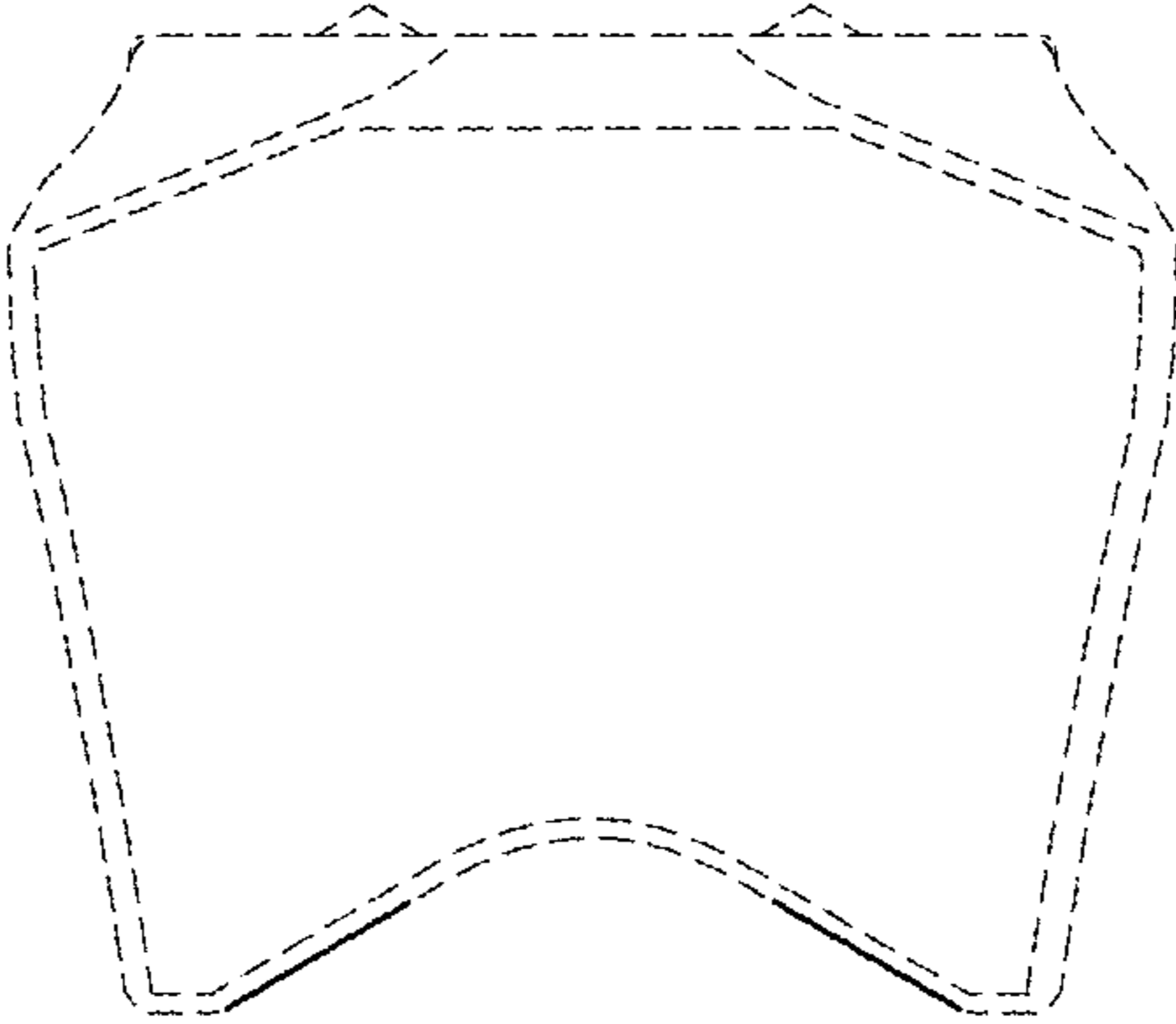


FIG. 8