



US00D936709S

(12) **United States Design Patent** (10) **Patent No.:** **US D936,709 S**
Sonje et al. (45) **Date of Patent:** **** Nov. 23, 2021**

- (54) **EXCAVATOR STEPS**
- (71) Applicant: **Deere & Company**, Moline, IL (US)
- (72) Inventors: **Tushar Sonje**, Pune (IN); **Sandesh S. Yadao**, Dubuque, IA (US); **Vinayak V. Pawar**, Pune (IN); **Manish M. Kute**, Dubuque, IA (US); **Kamalpreet Singh**, Pune (IN); **Sagar Tiwatane**, Solapur (IN)
- (73) Assignee: **Deere & Company**, Moline, IL (US)
- (**) Term: **15 Years**
- (21) Appl. No.: **29/652,362**
- (22) Filed: **Jul. 27, 2020**

Related U.S. Application Data

- (63) Continuation-in-part of application No. 29/652,123, filed on May 15, 2020.
- (51) **LOC (13) Cl.** **15-03**
- (52) **U.S. Cl.**
USPC **D15/28**
- (58) **Field of Classification Search**
USPC D15/10, 22-26, 28, 30; 180/89.1, 89.12, 180/89.13, 900, 9.1, 9.2, 9.62; 37/379; 414/694, 699, 722-724, 660, 685, 698, 414/719, 743; D12/414, 223, 203
CPC E02F 3/32; E02F 3/76; E02F 3/40; E02F 3/325; E02F 3/352; E02F 3/384; E02F 3/425; E02F 3/437; E02F 3/627; E02F 3/964; E02F 9/163; E02F 9/0858; E02F 9/0875; E02F 9/2045; E02F 9/006; E02F 9/0808; E02F 9/0833; E02F 9/2004; E02F 9/207; E02F 9/2091; E02F 9/2246; E02F 9/2292; E02F 9/0086; E02F 9/18; F01N 13/001; F01N 2590/08; B60R 3/00; B60R 3/02

See application file for complete search history.

- (56) **References Cited**
- U.S. PATENT DOCUMENTS
- 5,425,615 A * 6/1995 Hall B60P 1/4421
105/447
- D440,261 S * 4/2001 Wei D21/554
- 6,264,222 B1 * 7/2001 Johnston B60R 3/02
105/444
- D679,219 S * 4/2013 Patchigolla D12/15
- D713,772 S * 9/2014 Ziaylek D12/203
- (Continued)

FOREIGN PATENT DOCUMENTS

- CN 303793411 S 8/2016
- CN 304359428 S 11/2017
- KR 3010011690000 4/2019

Primary Examiner — Mark A Goodwin

(57) **CLAIM**

The ornamental design for excavator steps, as shown and described.

DESCRIPTION

FIG. 1 is an upper front right perspective view of excavator steps showing our new design in use condition.

FIG. 2 is an upper front right perspective view of excavator steps.

FIG. 3 is a right side view thereof.

FIG. 4 is a left side view thereof.

FIG. 5 is a front view thereof.

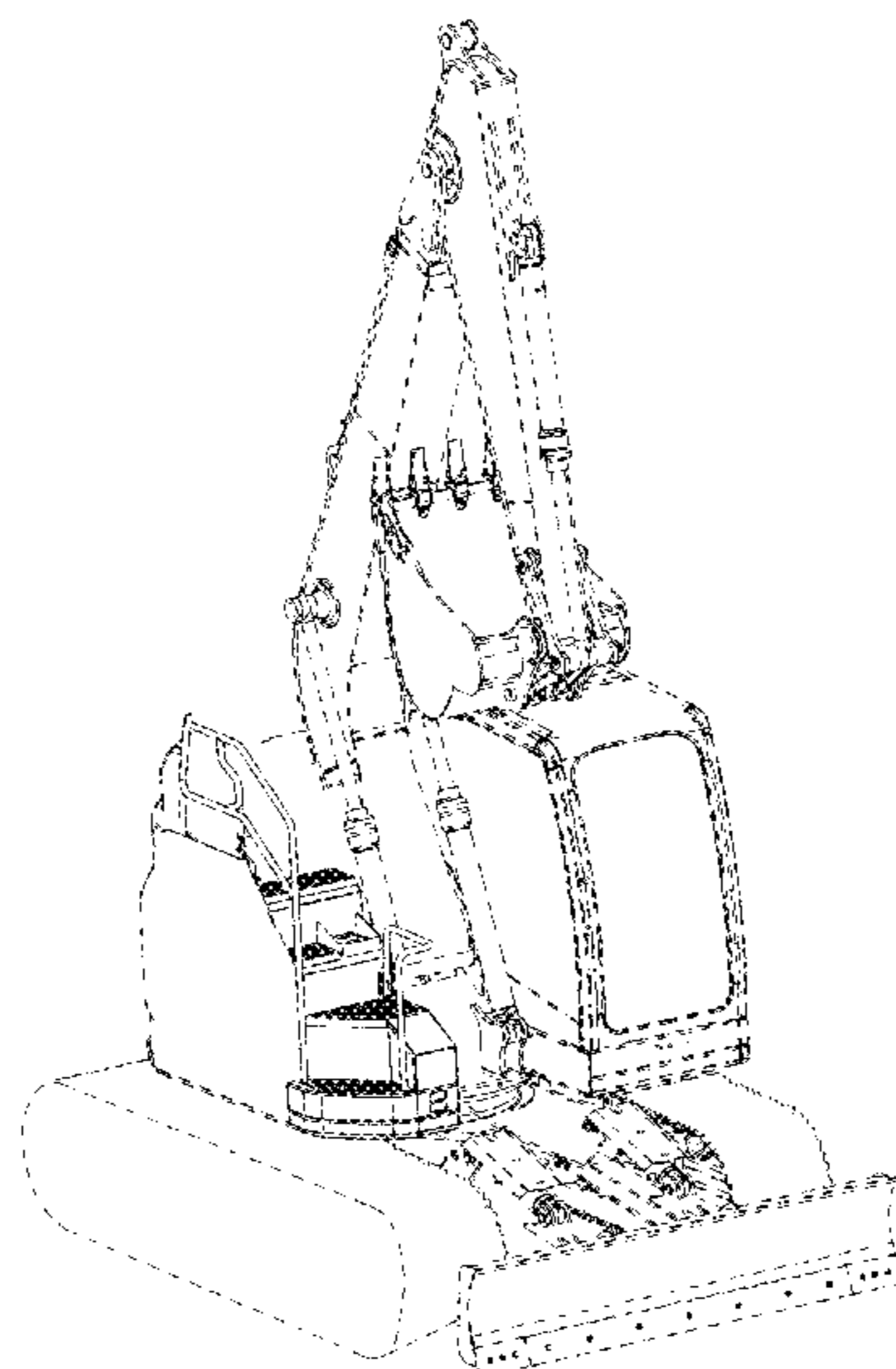
FIG. 6 is a rear view thereof.

FIG. 7 is a top view thereof; and,

FIG. 8 is a bottom view thereof.

The claimed design is shown in solid lines in the drawings. The portions of the drawings shown in broken lines form no part of the claimed design. The portions of the drawings shown in broken lines having unequal segments illustrate the boundary of the claimed design and form no part of the claimed design.

1 Claim, 5 Drawing Sheets



(56)

References Cited

U.S. PATENT DOCUMENTS

9,309,644	B2 *	4/2016	Ueki	E02F 9/16
9,428,882	B2 *	8/2016	Murakami	B60R 3/005
D796,405	S *	9/2017	Atkins	D12/203
10,093,238	B2 *	10/2018	Koga	E02F 9/0833
D897,247	S *	9/2020	Rebick	B60D 1/52
				D12/162
2010/0025955	A1 *	2/2010	Carr, Jr.	B60R 9/06
				280/166
2015/0176245	A1 *	6/2015	Murakami	E02F 9/0858
				296/190.01
2015/0176247	A1 *	6/2015	Ueki	E02F 9/16
				296/190.01
2017/0190293	A1 *	7/2017	Koga	B60R 3/02

* cited by examiner

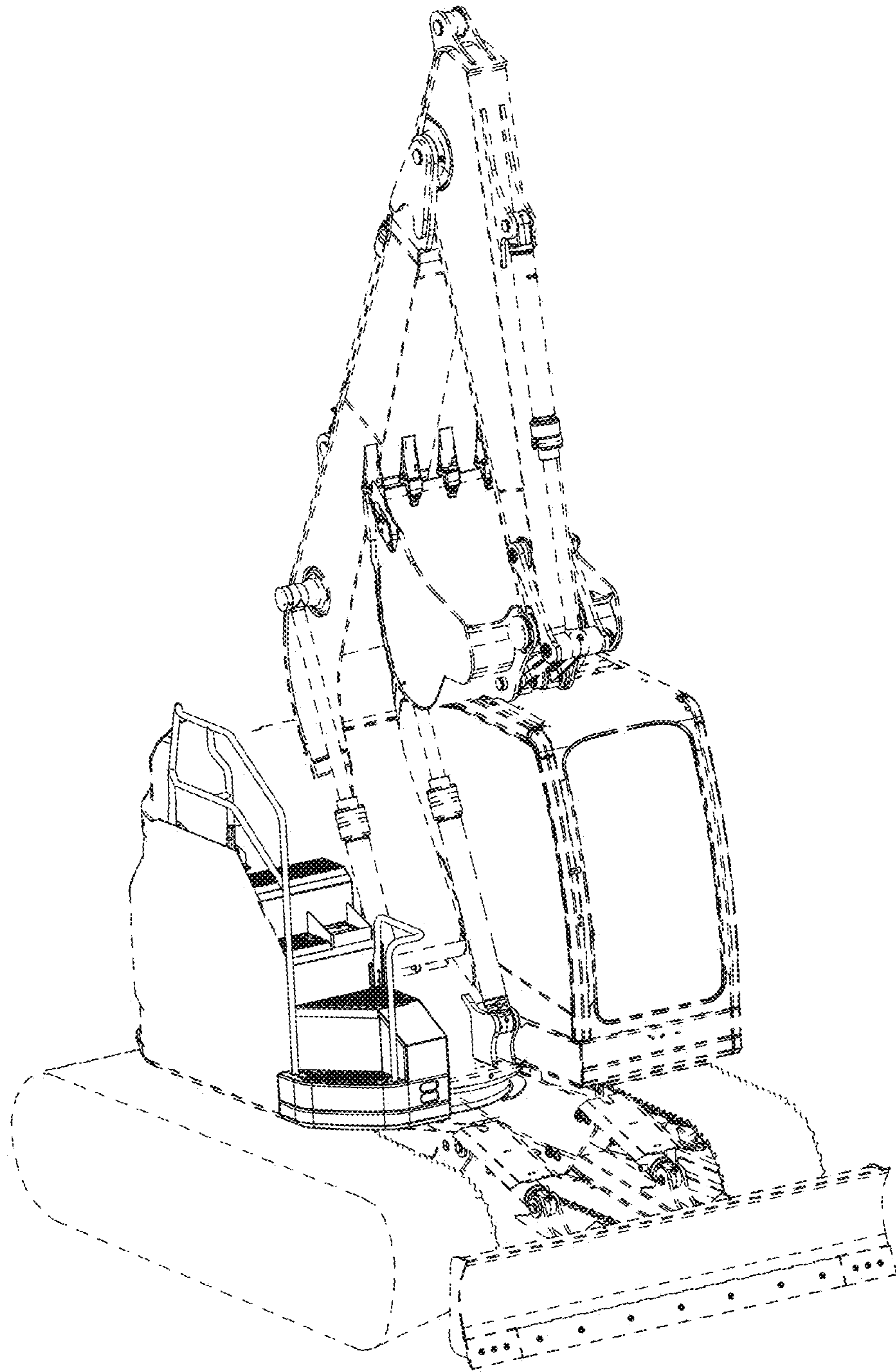


FIG. 1

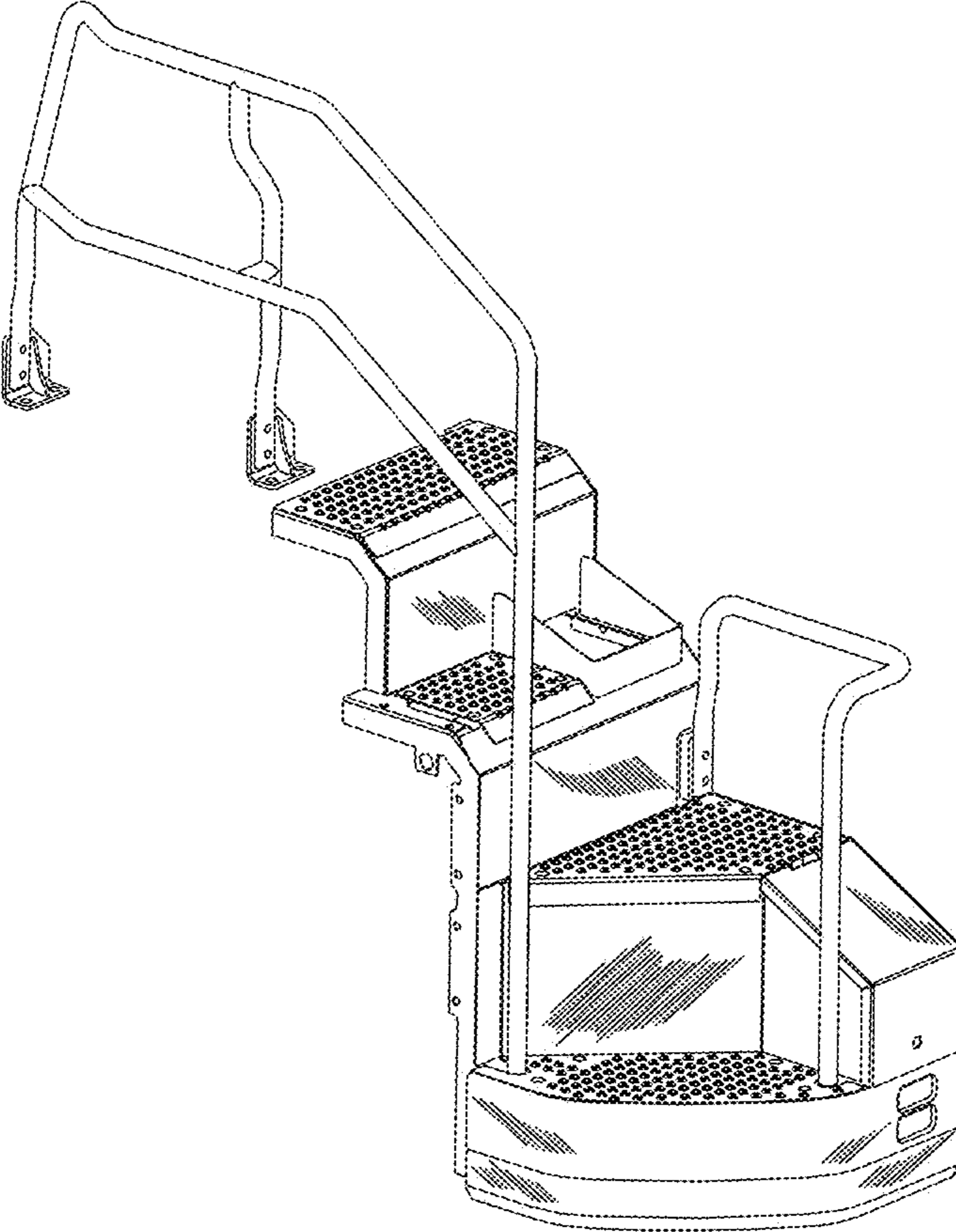


FIG. 2

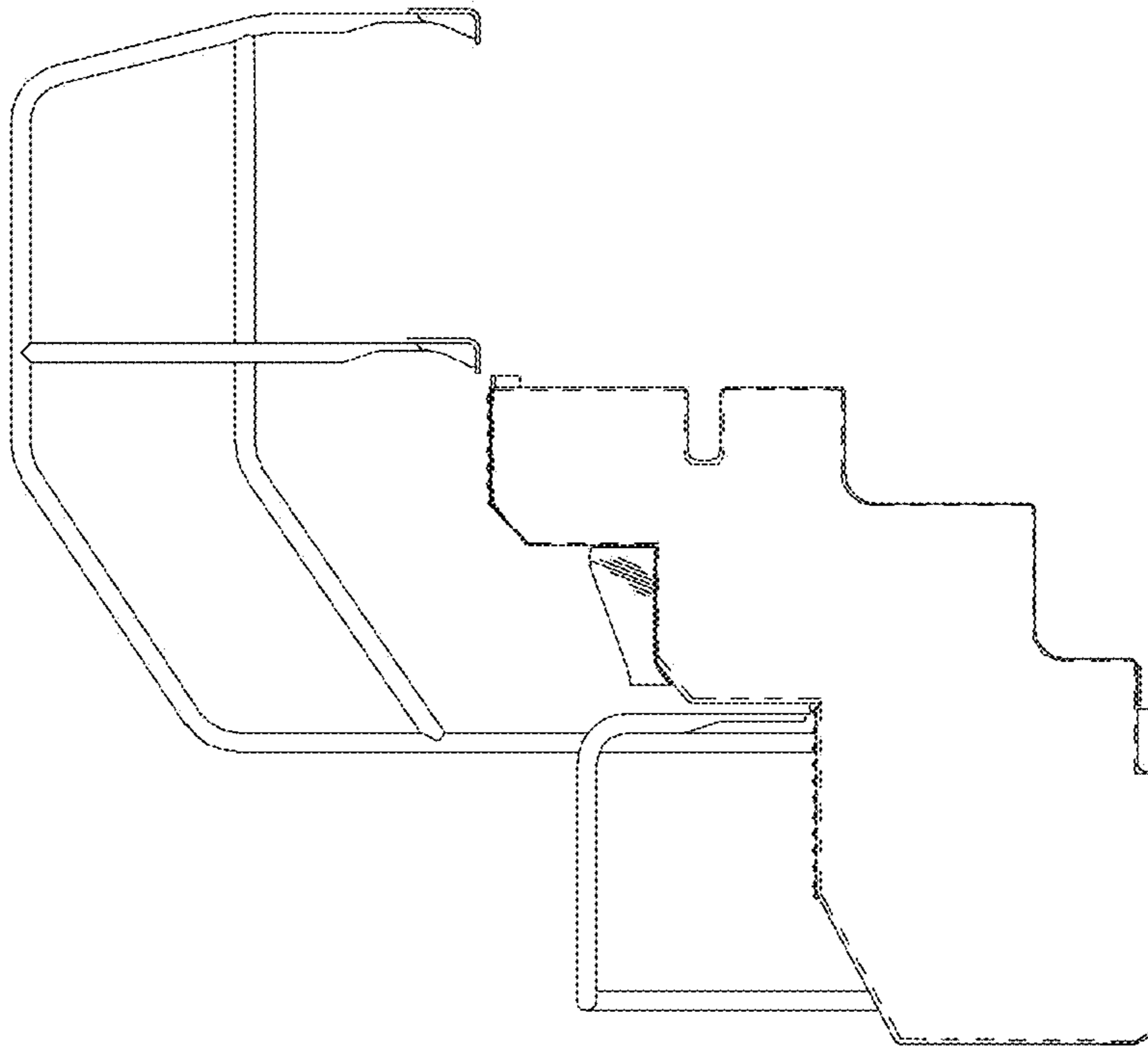


FIG. 4

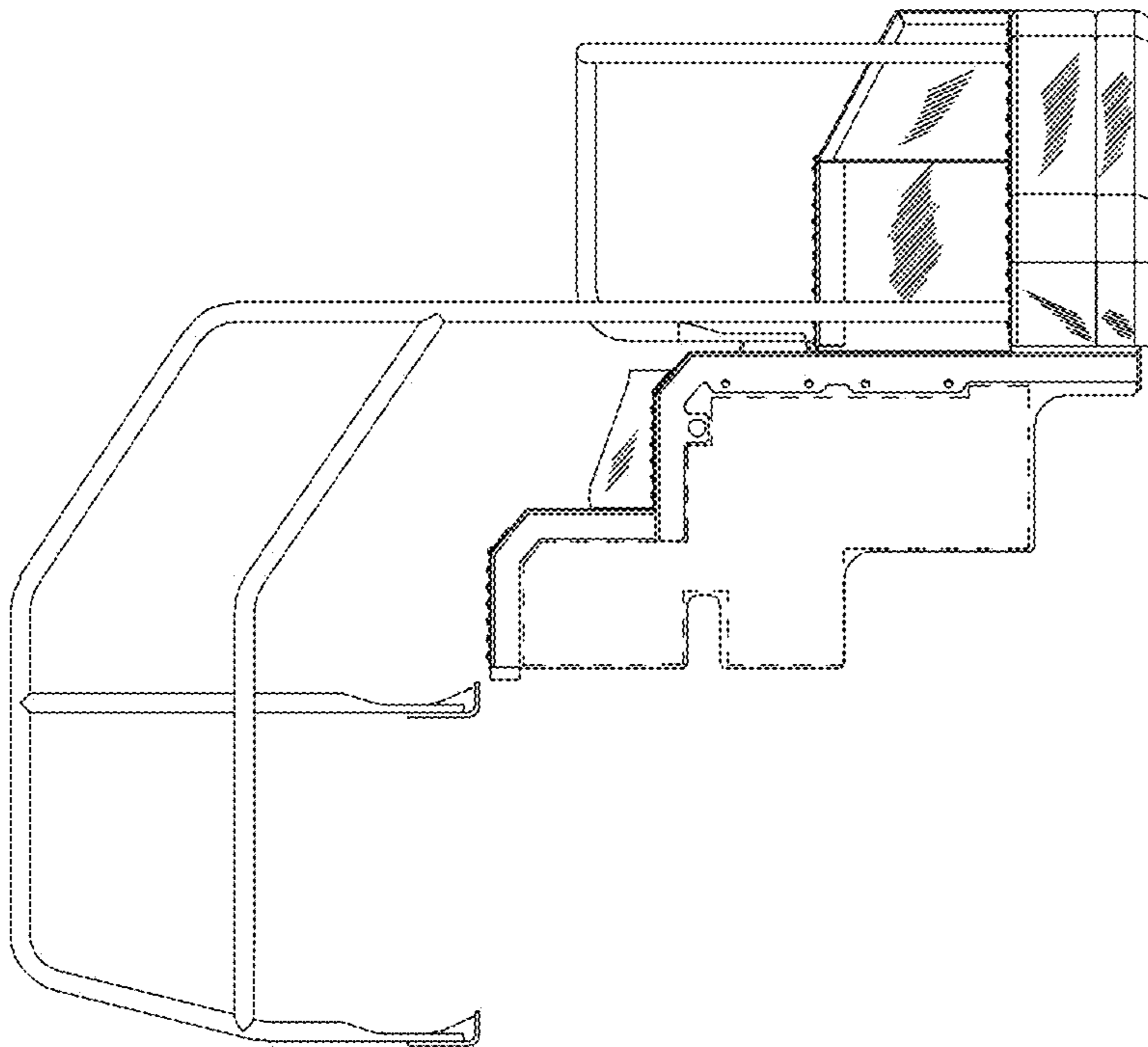


FIG. 3

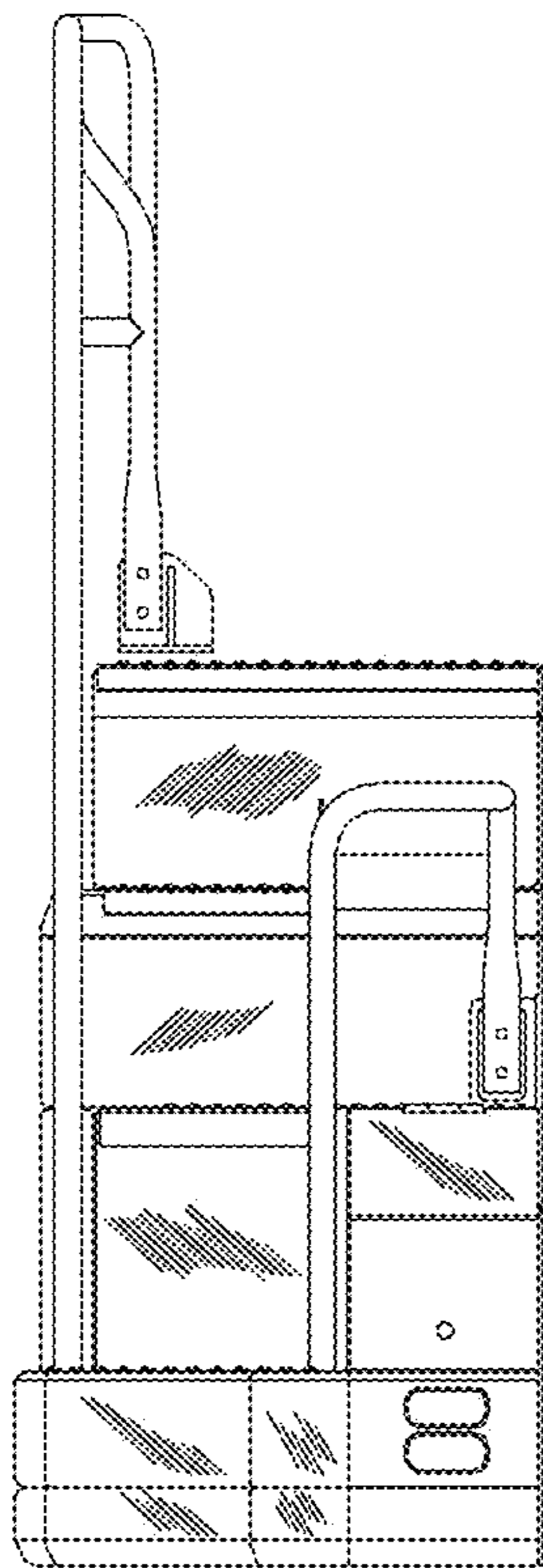


FIG. 5

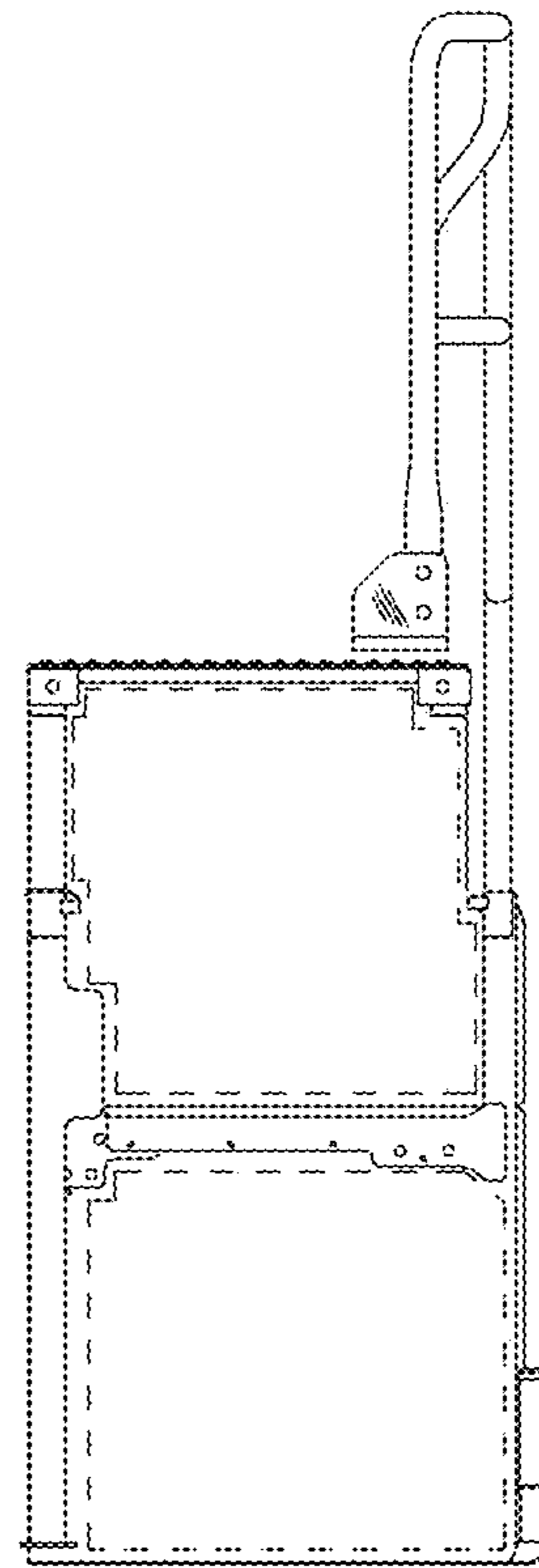


FIG. 6

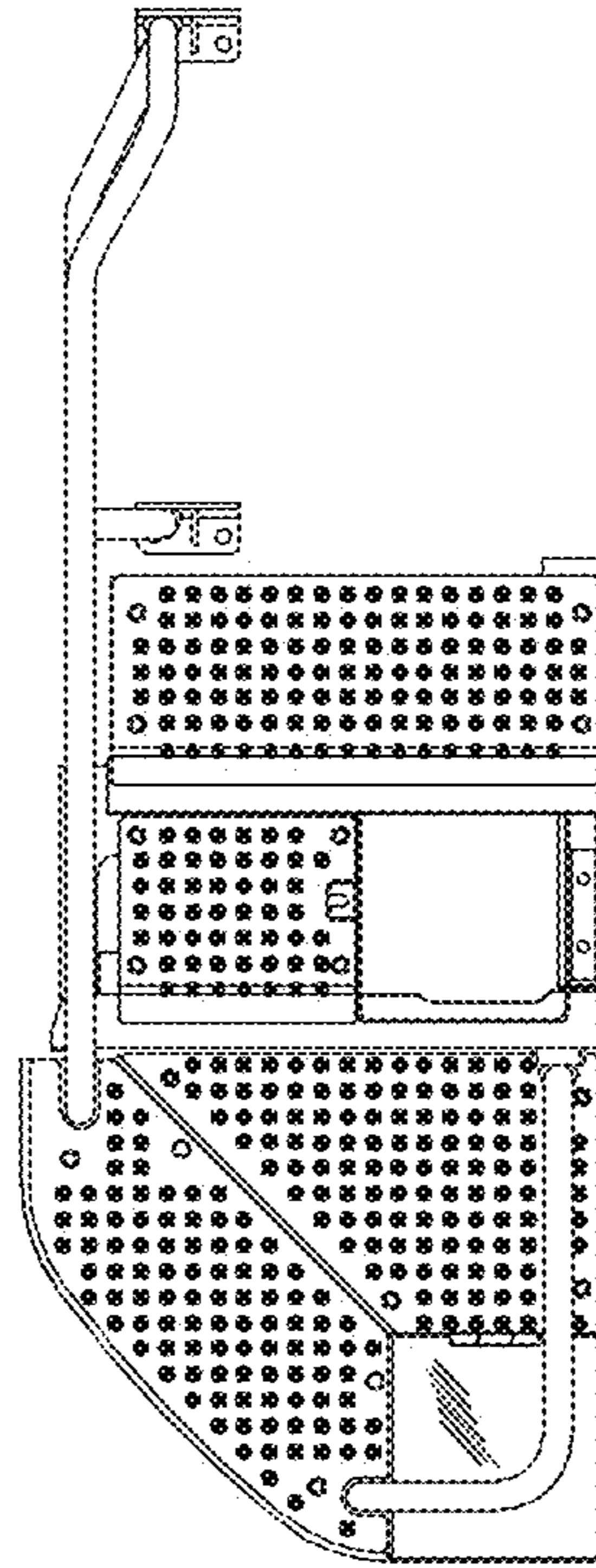


FIG. 7

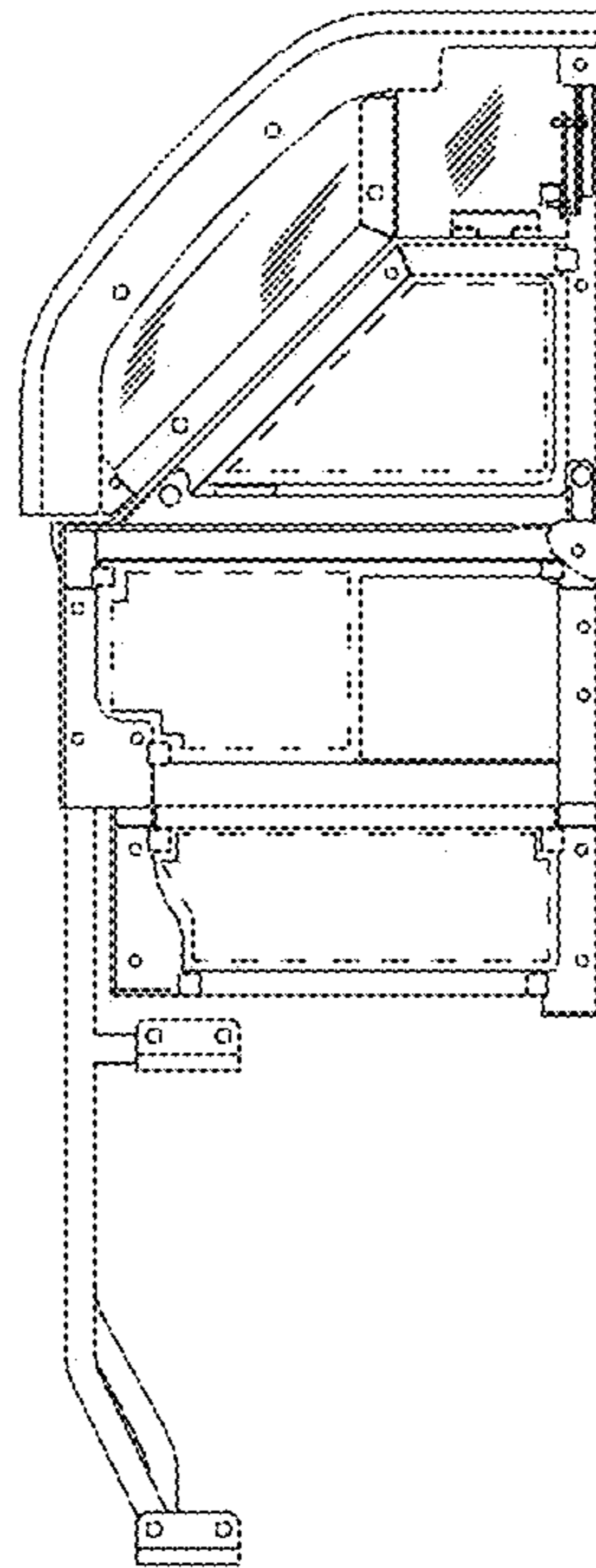


FIG. 8