



US00D936708S

(12) **United States Design Patent** (10) **Patent No.:** **US D936,708 S**
Xu (45) **Date of Patent:** **** Nov. 23, 2021**

(54) **AGRICULTURAL UNMANNED VEHICLE**

(71) Applicant: **GUANGZHOU XAIRCRAFT TECHNOLOGY CO., LTD.**,
Guangdong (CN)

(72) Inventor: **Zhiqin Xu**, Guangdong (CN)

(73) Assignee: **GUANGZHOU XAIRCRAFT TECHNOLOGY CO., LTD.**,
Guangdong (CN)

(**) Term: **15 Years**

(21) Appl. No.: **29/735,877**

(22) Filed: **May 26, 2020**

(30) **Foreign Application Priority Data**

Dec. 19, 2019 (CN) 201930713320.5

(51) **LOC (13) Cl.** **15-03**

(52) **U.S. Cl.**
USPC **D15/26**

(58) **Field of Classification Search**
USPC D15/10, 22-26, 33, 28, 31; D21/431;
37/403, 409, 442, 443; 180/89.1, 89.12,
180/89.13; 296/190.03; 414/685, 694,
414/722, 724
CPC E02F 9/0841; E02F 3/3411; E02F 3/76;
E02F 3/34; E02F 3/00; E02F 7/00; B62D
21/186; B62D 53/028

See application file for complete search history.

(56) **References Cited**

U.S. PATENT DOCUMENTS

D438,218 S * 2/2001 McIlwraith D15/25
6,397,967 B1 * 6/2002 McIlwraith E02F 9/0866
180/308

D470,513 S * 2/2003 Miller D15/22
D479,535 S * 9/2003 Lange D15/25
6,715,579 B1 * 4/2004 Hendron E02F 9/0841
212/302
D824,458 S * 7/2018 Vaarsi D21/533
D857,773 S * 8/2019 Muraishi D15/199
D913,193 S * 3/2021 Xu D12/328

* cited by examiner

Primary Examiner — Mark A Goodwin

(74) *Attorney, Agent, or Firm* — Charles C. Achkar;
Ostrolenk Faber LLP.

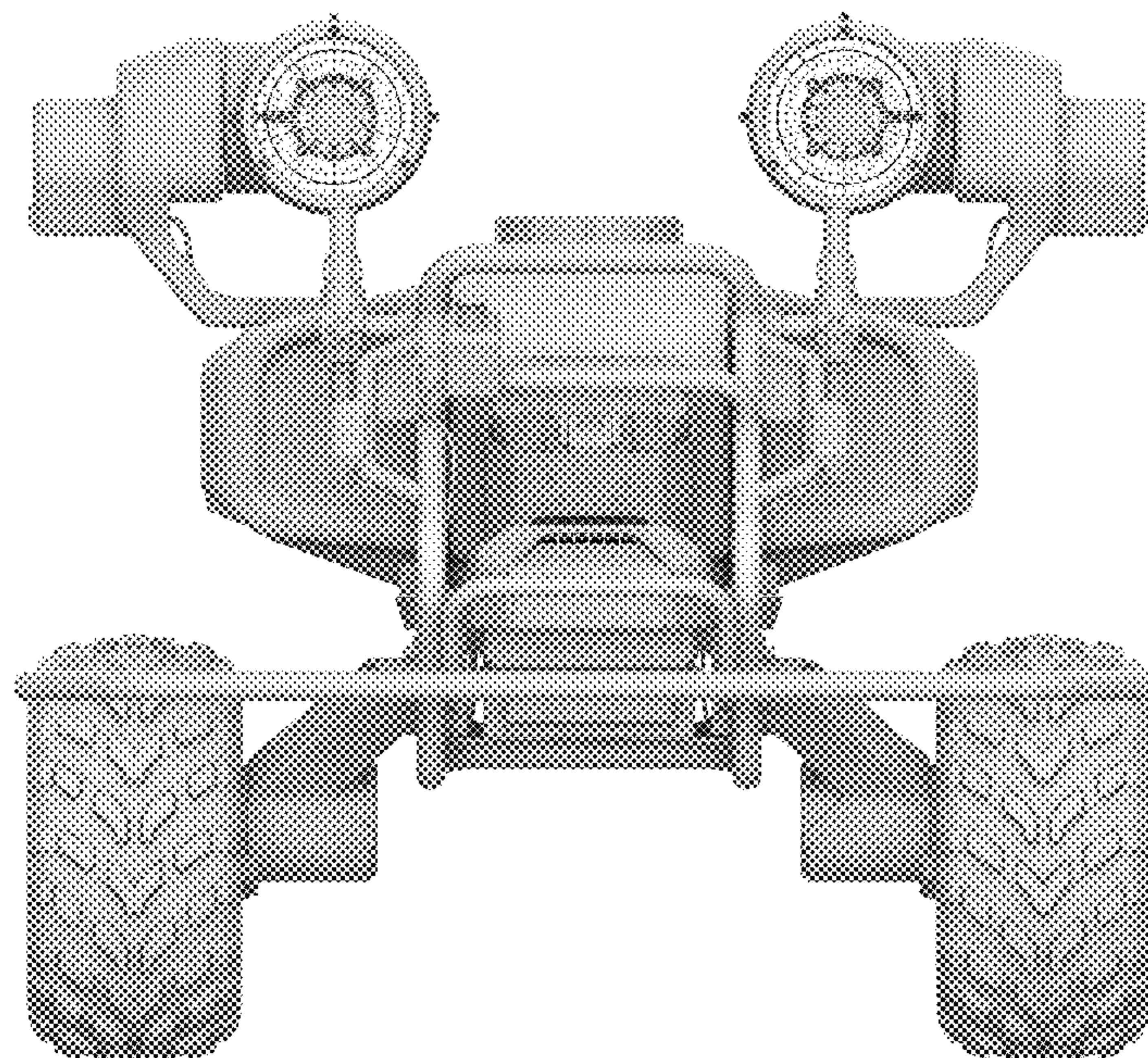
(57) **CLAIM**

The ornamental design for an agricultural unmanned vehicle, as shown and described.

DESCRIPTION

FIG. 1 is a front view of an agricultural unmanned vehicle showing my new design;
FIG. 2 is a back view thereof;
FIG. 3 is a view of the right side thereof;
FIG. 4 is a view of the left side thereof;
FIG. 5 is a top view thereof;
FIG. 6 is a bottom view thereof;
FIG. 7 is a front, top, left side perspective view thereof;
FIG. 8 is a front, top, right side perspective view thereof;
FIG. 9 is a back, top, left side perspective view thereof;
FIG. 10 is a back, top, right side perspective view thereof;
FIG. 11 is a front, bottom, left side perspective view thereof;
FIG. 12 is a front, bottom, right side perspective view thereof;
FIG. 13 is a back, bottom, right side perspective view thereof; and,
FIG. 14 is a back, bottom, left side perspective view thereof.

1 Claim, 14 Drawing Sheets



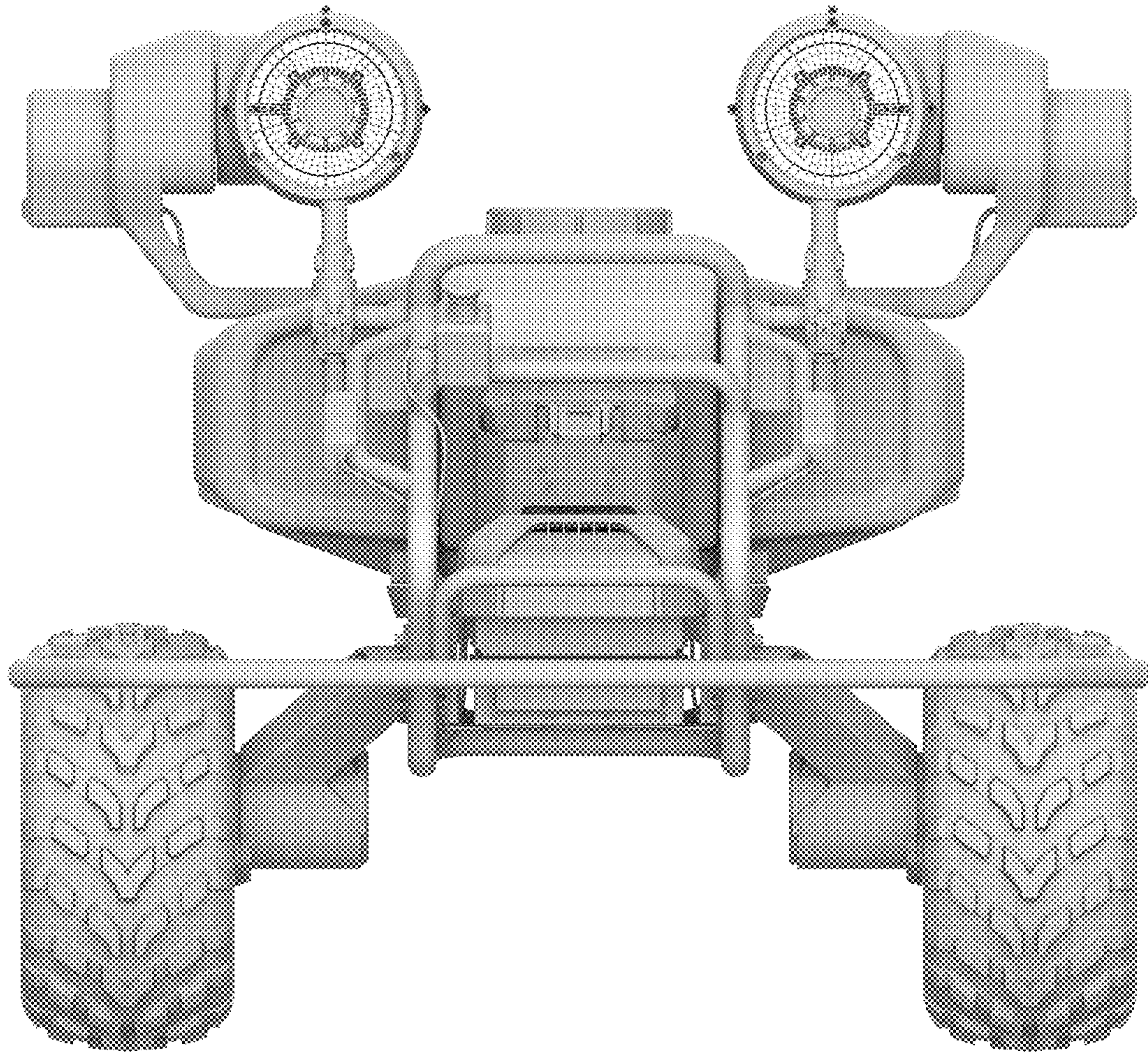


FIG. 1

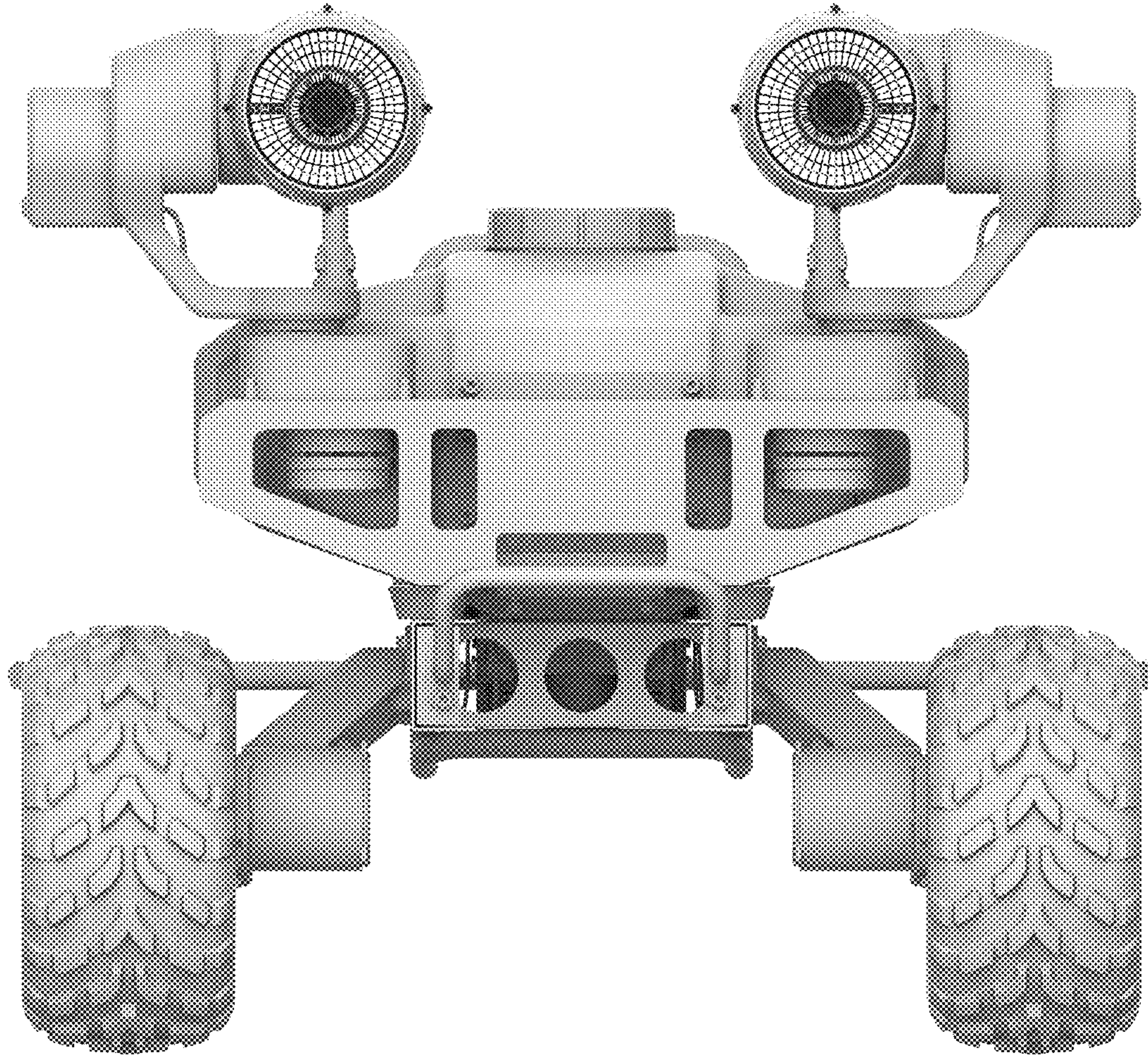


FIG. 2

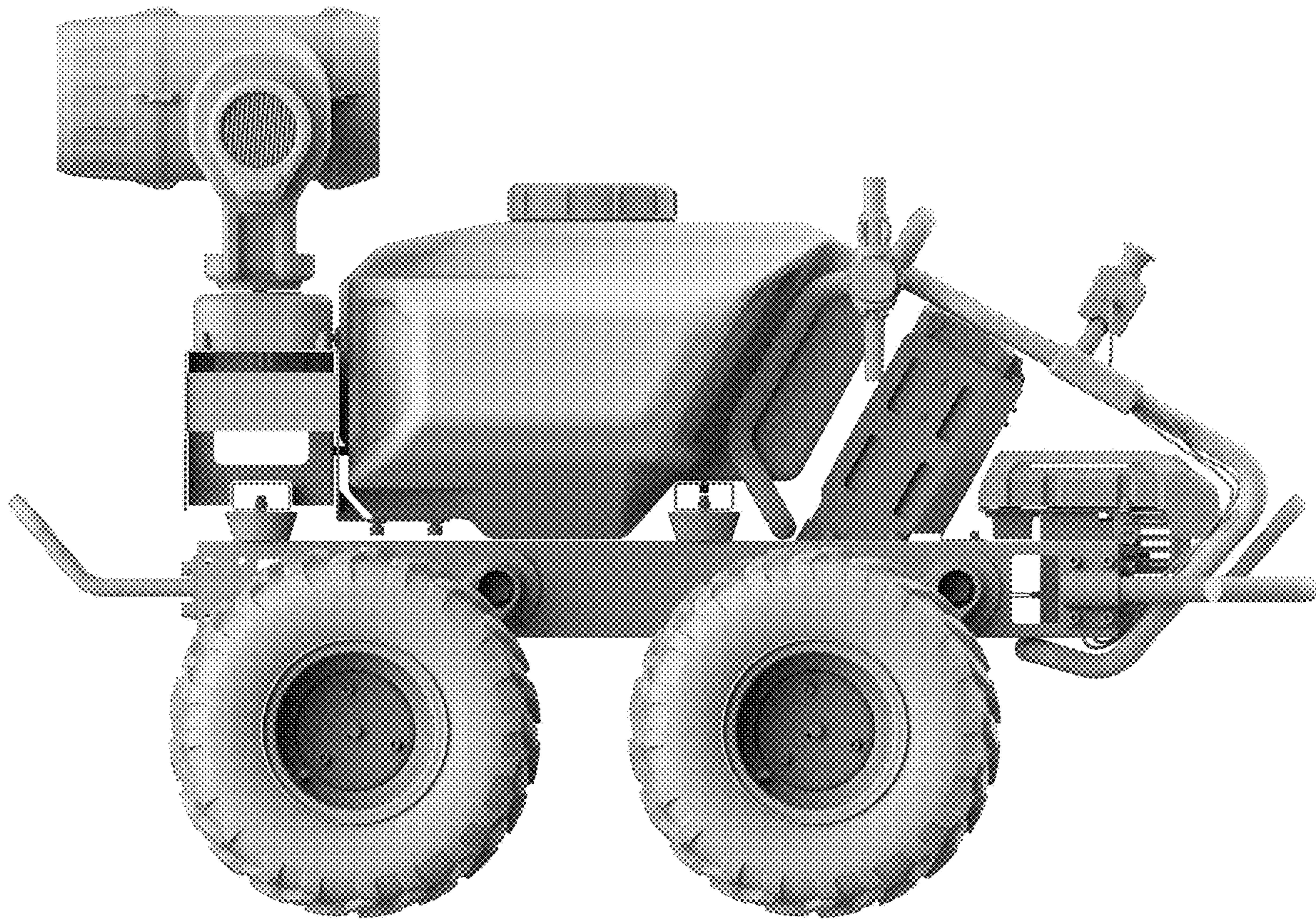


FIG. 3

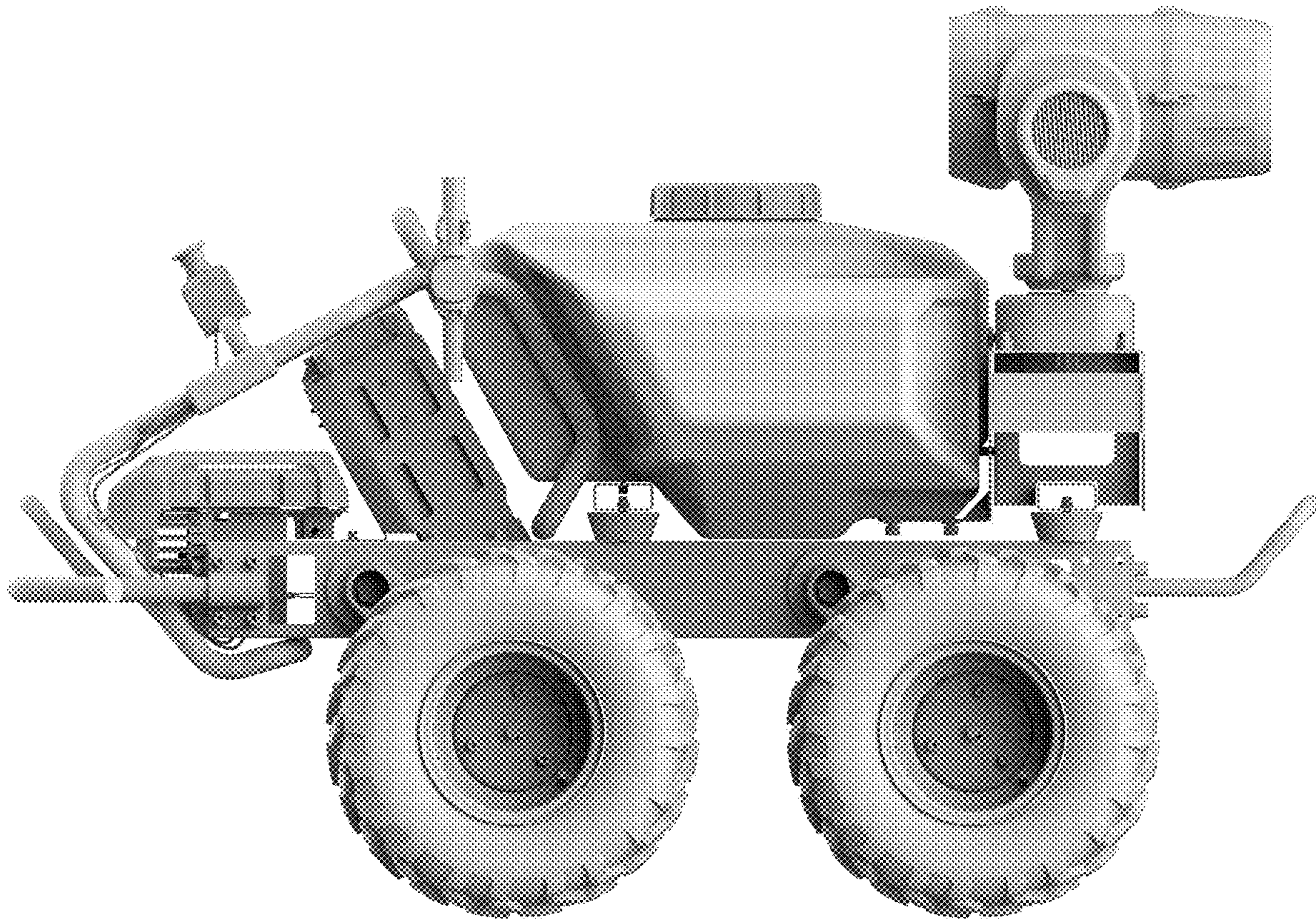


FIG. 4

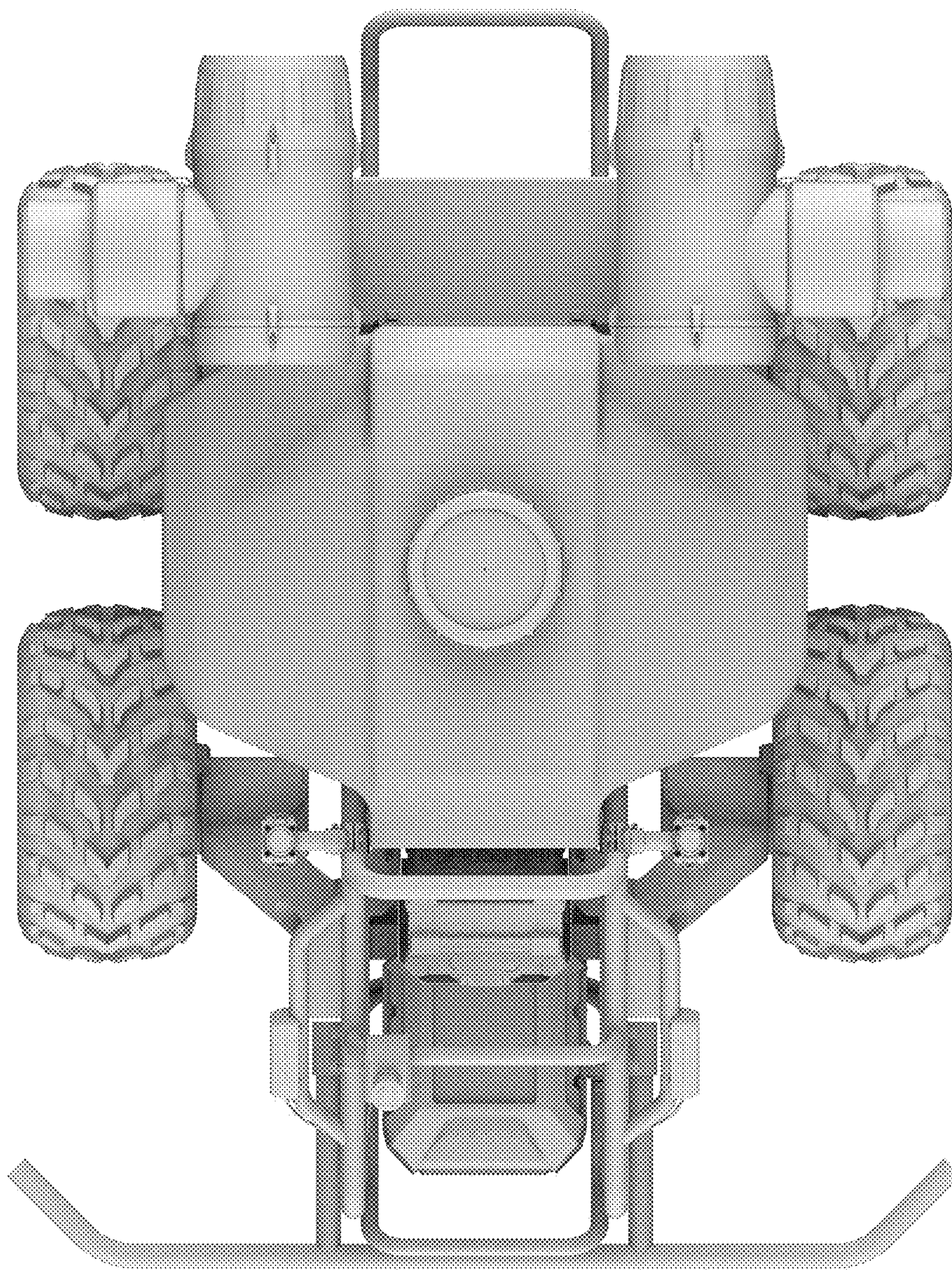


FIG. 5

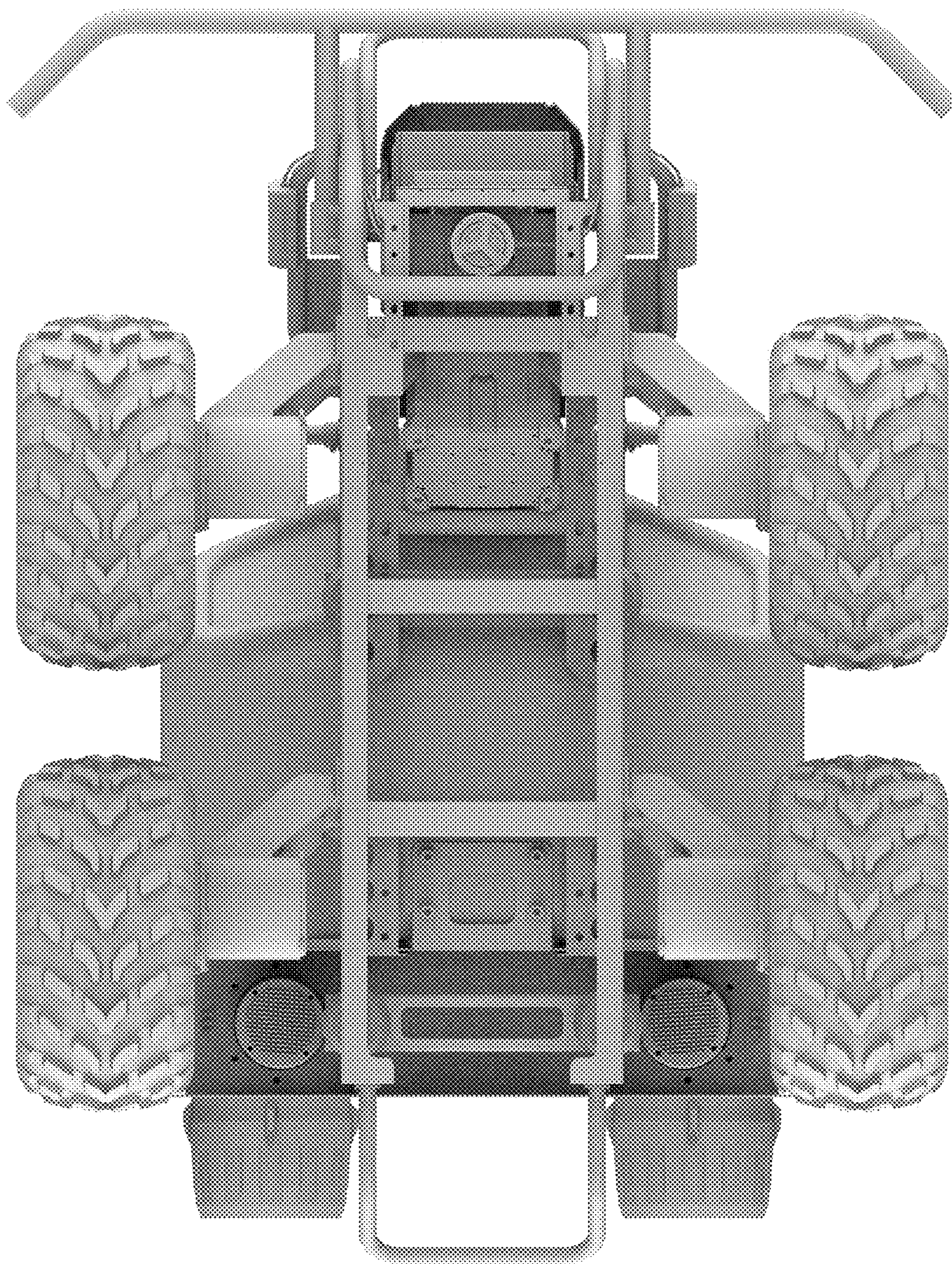


FIG. 6

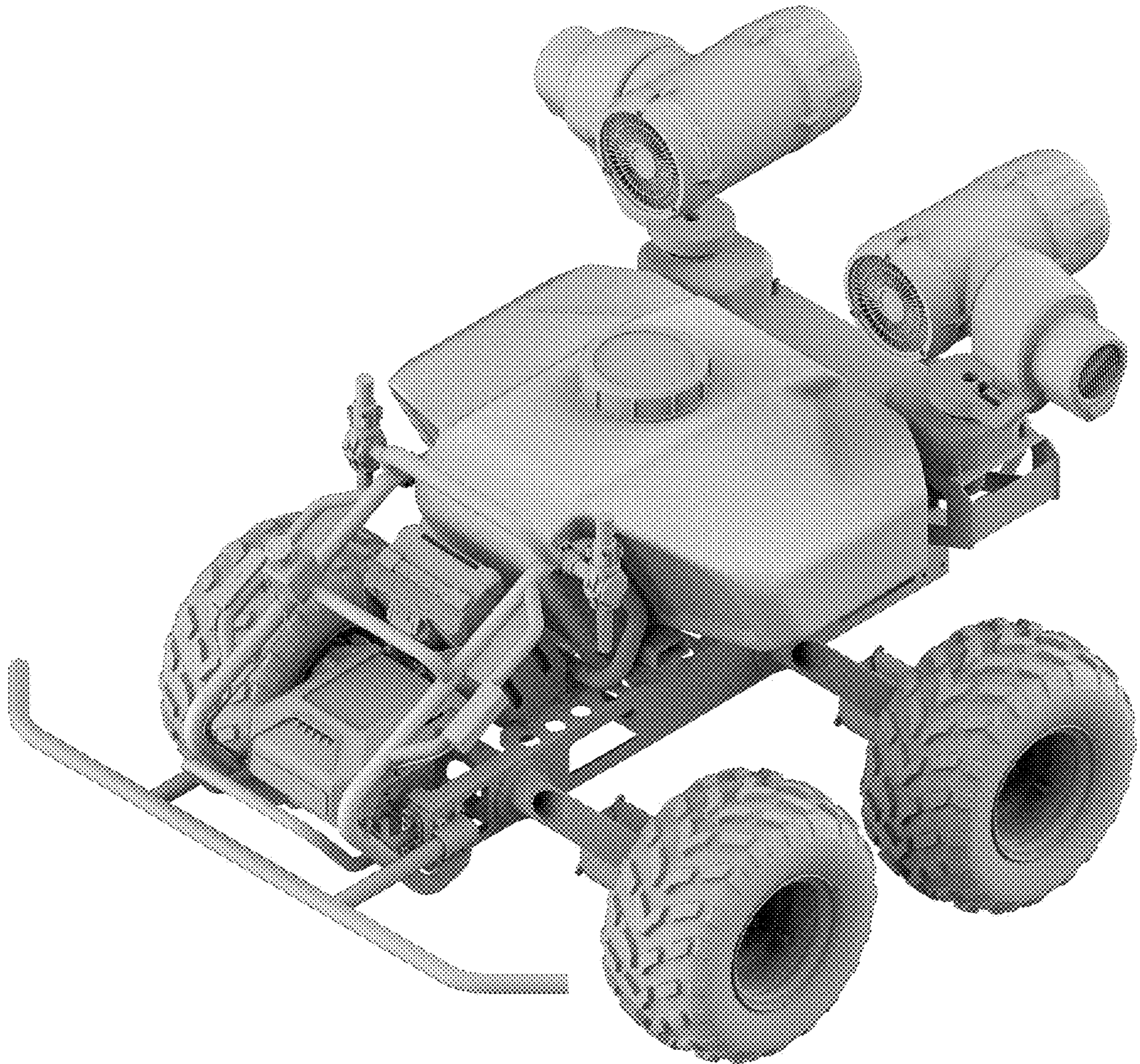


FIG. 7

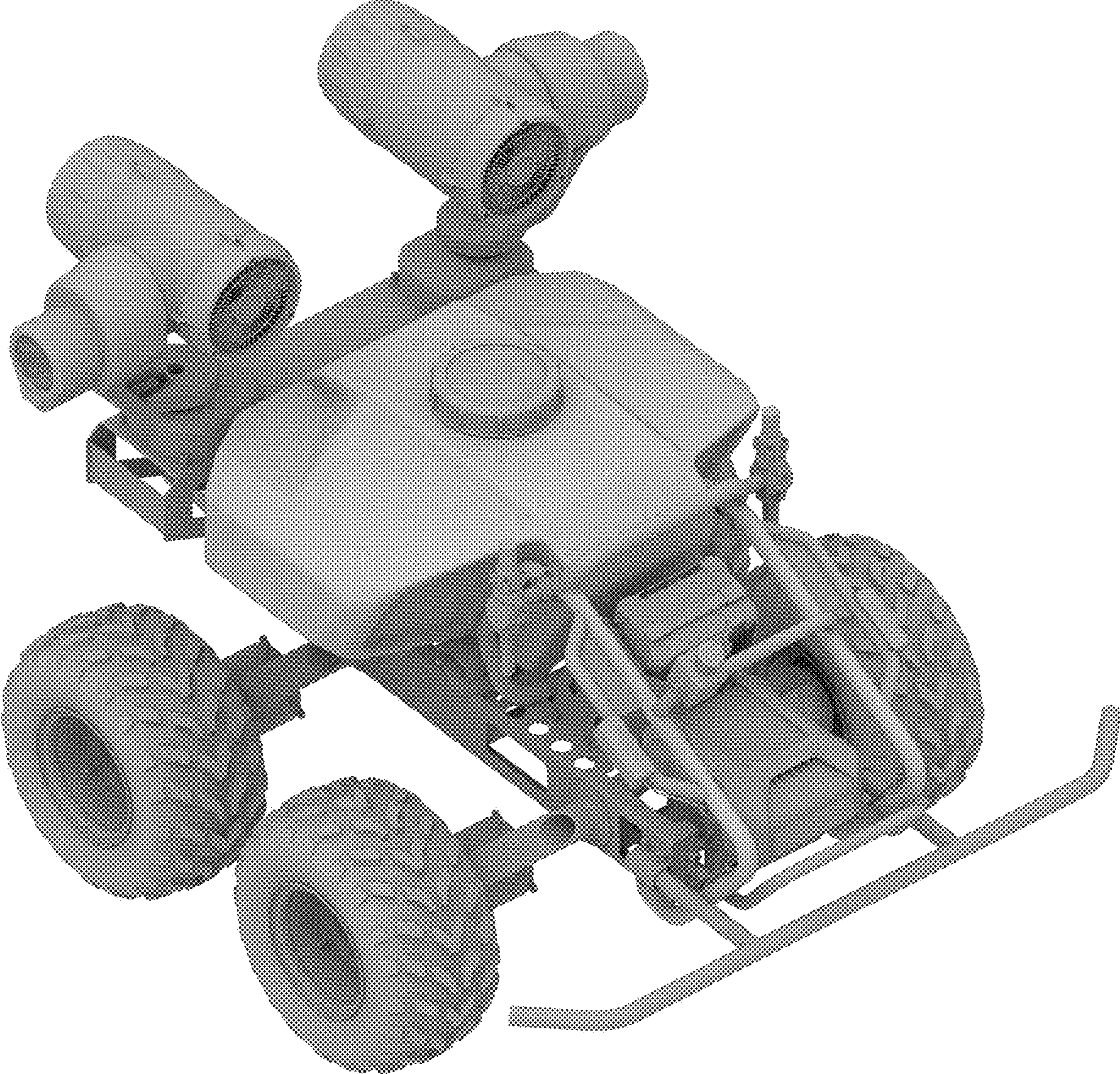


FIG. 8

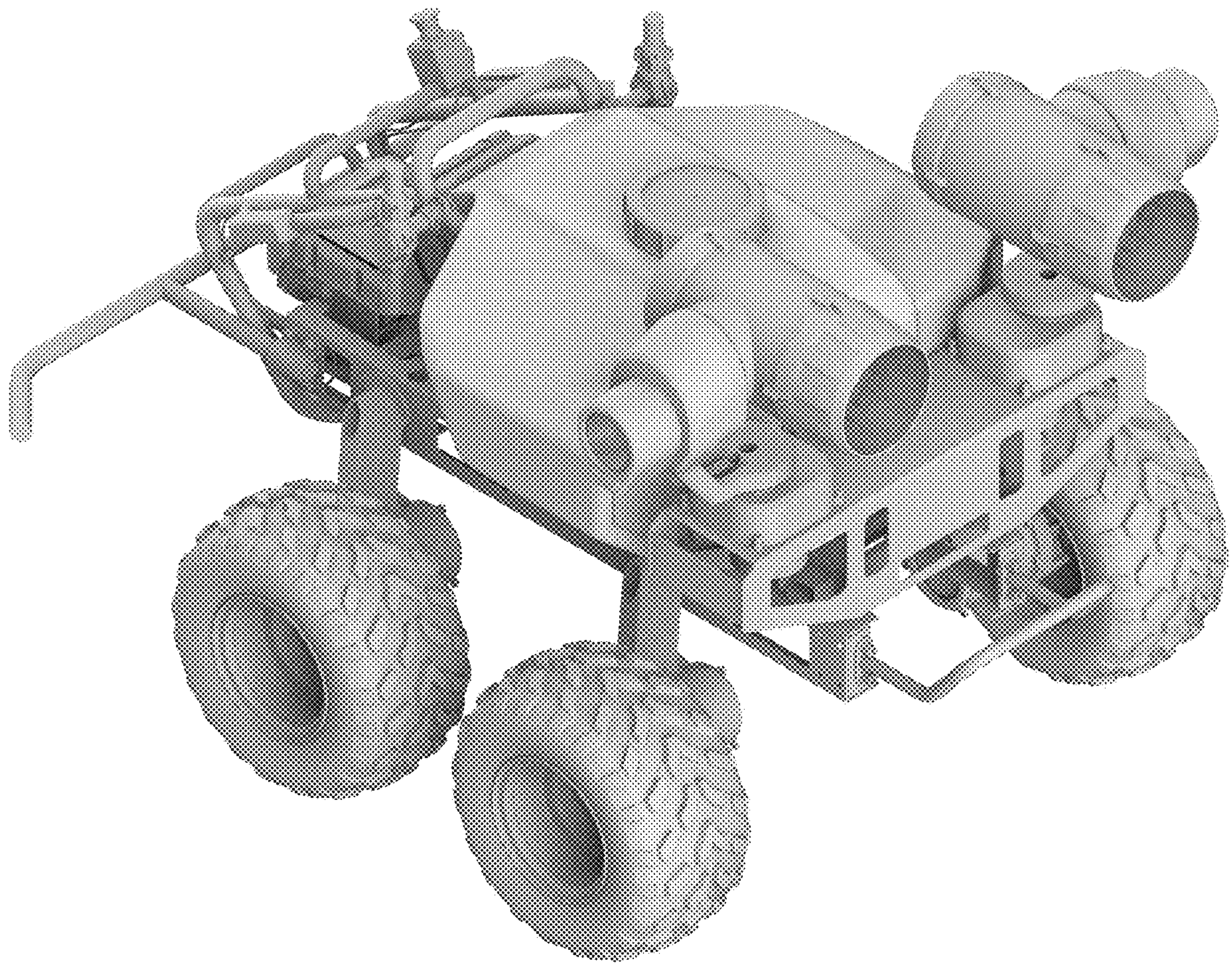


FIG. 9

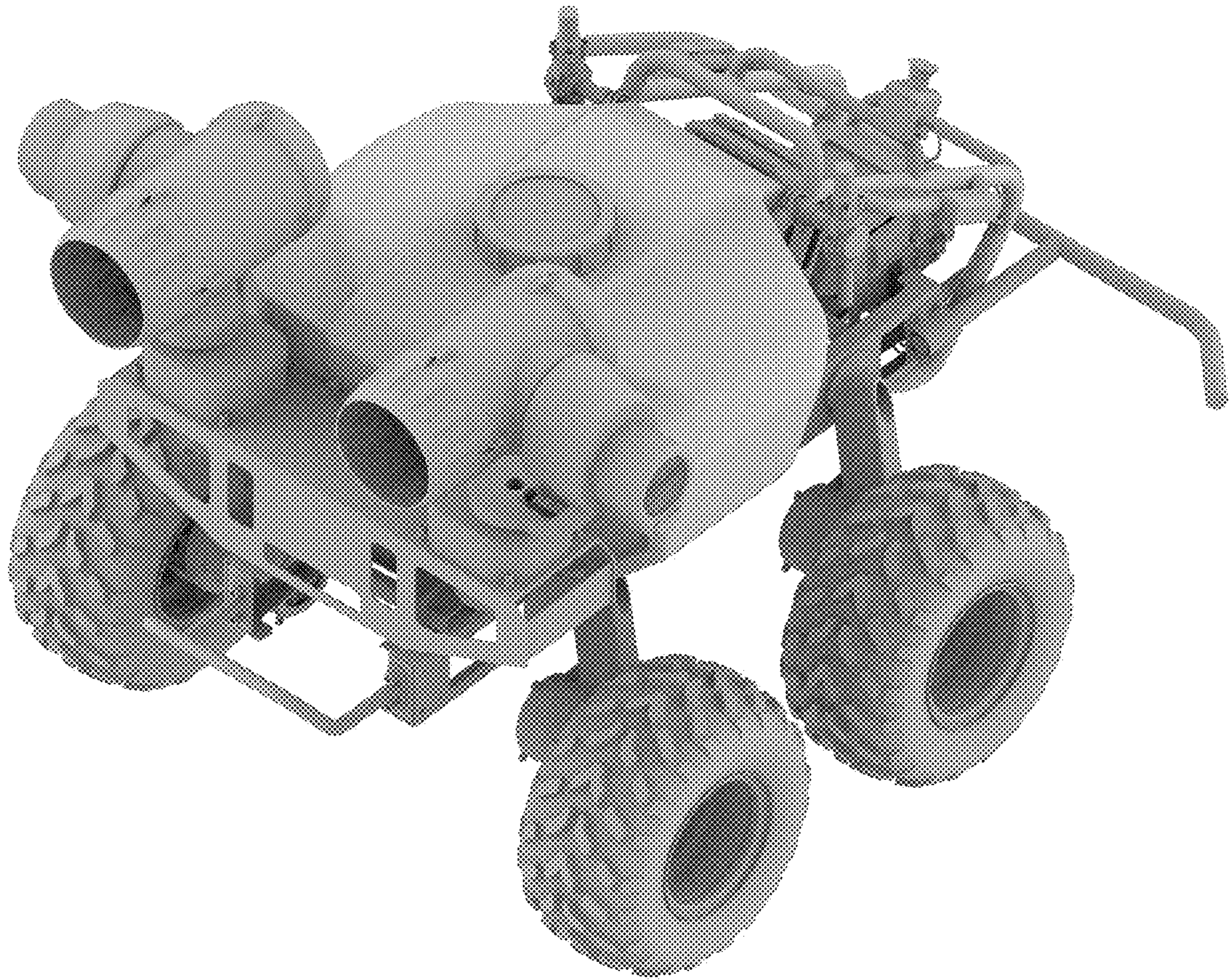


FIG. 10

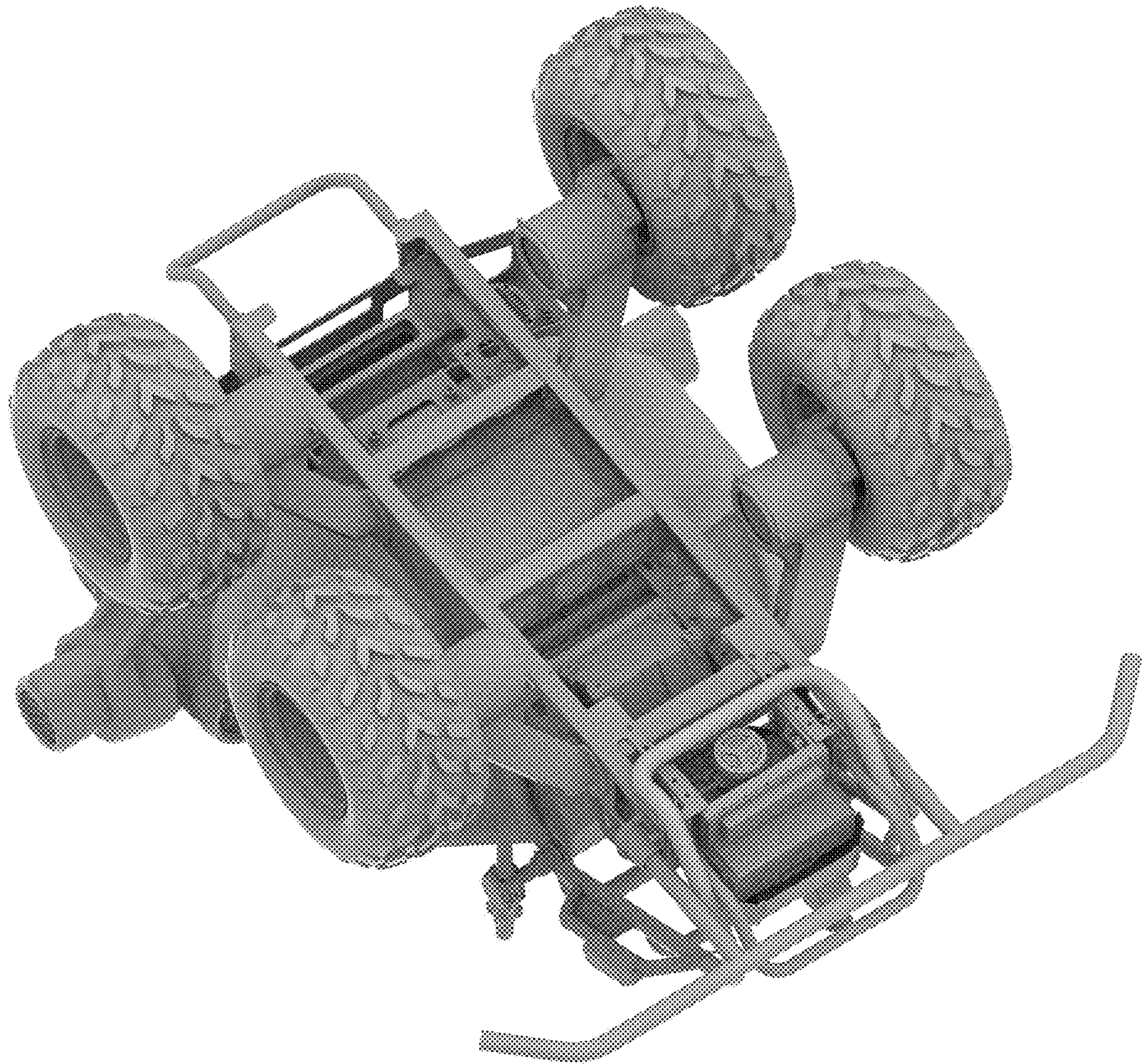


FIG. 11

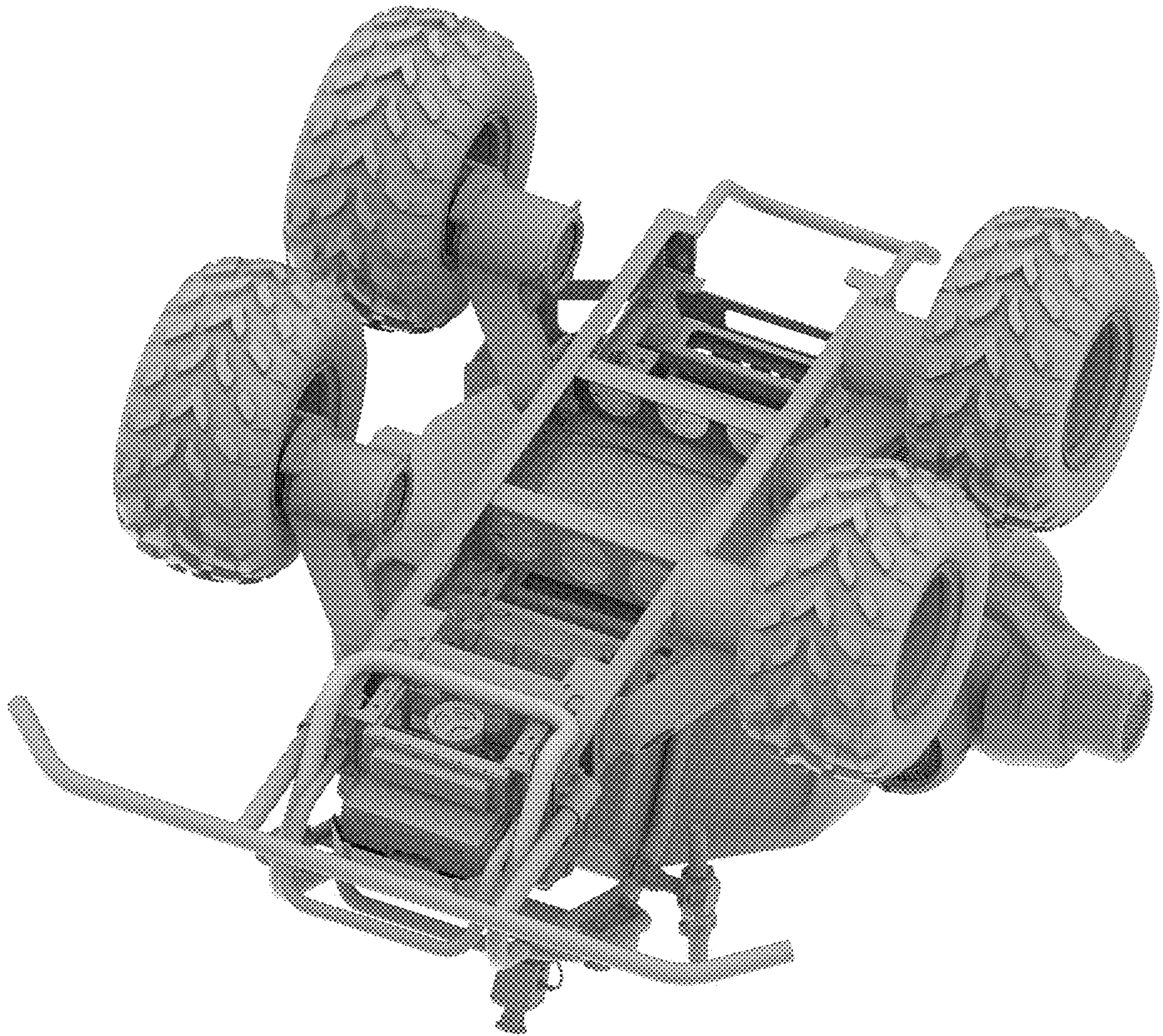


FIG. 12

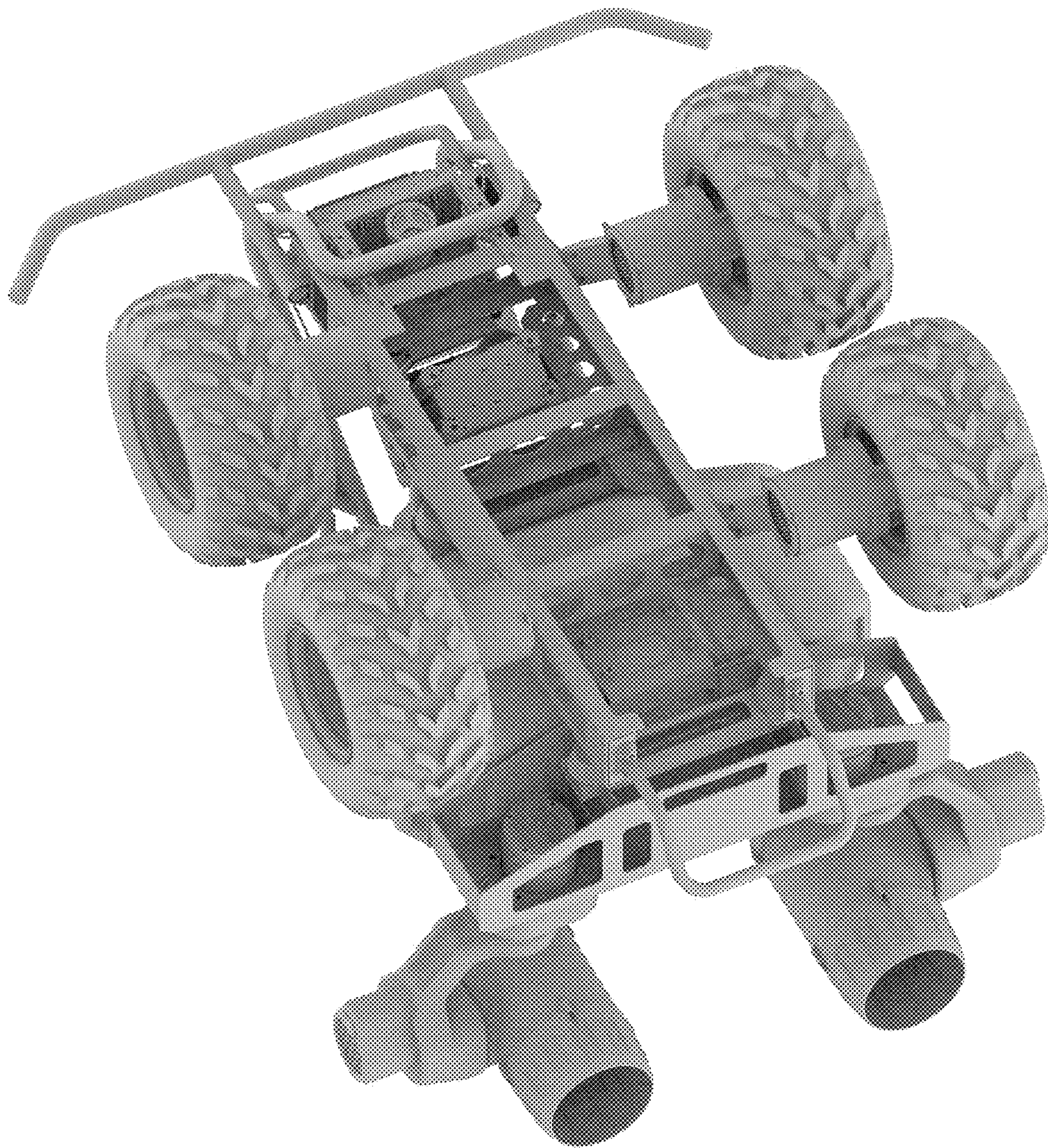


FIG. 13

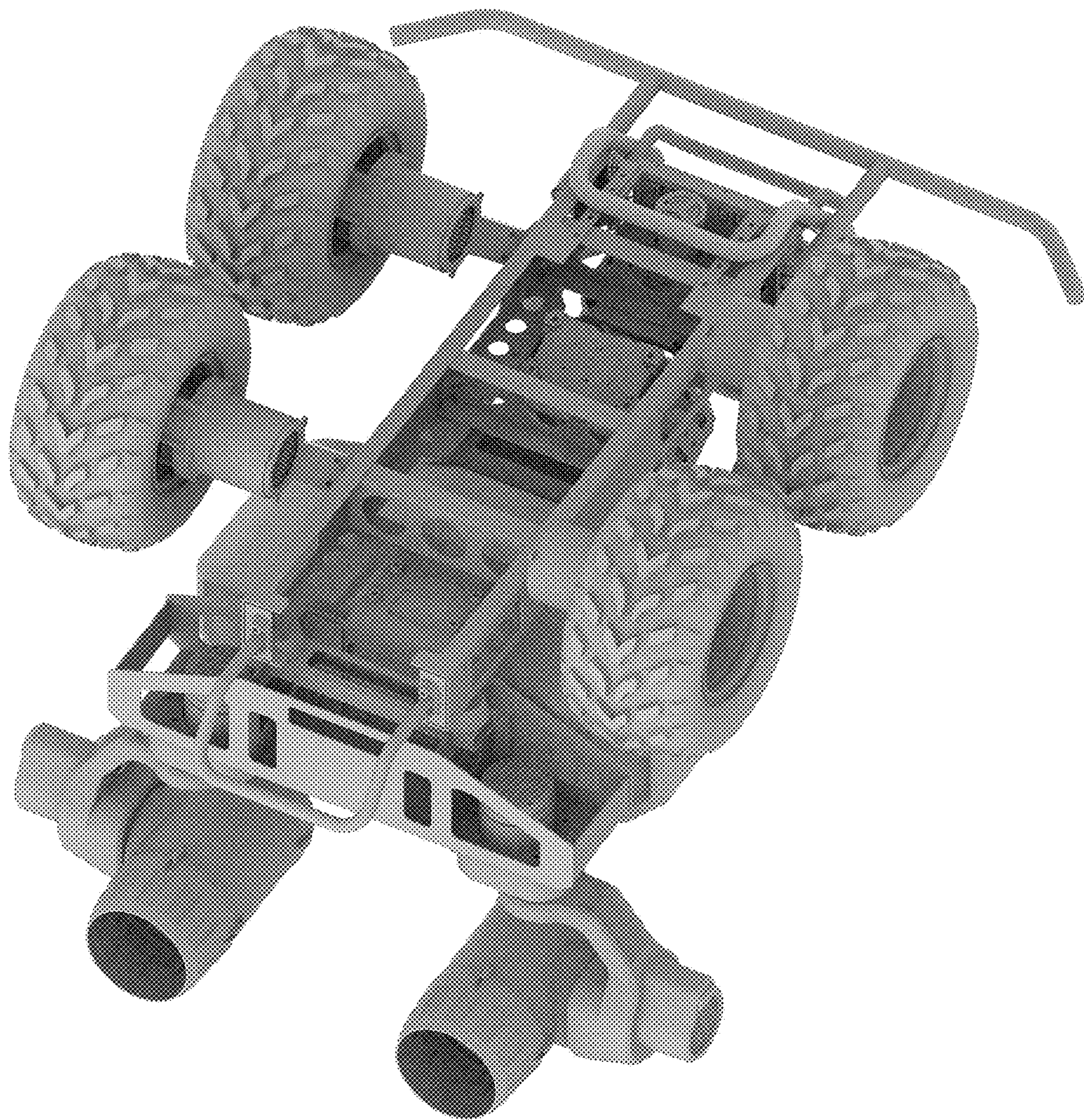


FIG. 14