



US00D936707S

(12) **United States Design Patent**  
**Kim et al.**

(10) **Patent No.:** **US D936,707 S**

(45) **Date of Patent:** **\*\* Nov. 23, 2021**

(54) **WHEEL LOADER**

(71) Applicant: **Doosan Infracore Co., Ltd.**, Incheon (KR)

(72) Inventors: **Juntae Kim**, Incheon (KR); **Seula Choi**, Incheon (KR); **Hokwang Ryu**, Incheon (KR); **Yoojeung Lim**, Incheon (KR); **Eunsook Seo**, Incheon (KR); **Sunwook Kwack**, Incheon (KR); **Younsik Bae**, Incheon (KR); **Nadan Cho**, Incheon (KR)

(73) Assignee: **DOOSAN INFRACORE CO., LTD.**, Incheon (KR)

(\*\*) Term: **15 Years**

(21) Appl. No.: **29/733,600**

(22) Filed: **May 5, 2020**

(30) **Foreign Application Priority Data**

Mar. 26, 2020 (KR) ..... 30-2020-0013505

(51) **LOC (13) Cl.** ..... **12-09**

(52) **U.S. Cl.**  
USPC ..... **D15/25**

(58) **Field of Classification Search**  
USPC ..... D15/10, 22-26, 33, 28, 31; D21/431;  
37/403, 409, 442, 443; 180/89.1, 89.12,  
180/89.13; 296/190.03; 414/685, 694,  
414/722, 724

CPC ..... E02F 9/0841; E02F 3/3411; E02F 3/76;  
E02F 3/34; E02F 3/00; E02F 7/00; B62D  
21/186; B62D 53/028

See application file for complete search history.

(56) **References Cited**

U.S. PATENT DOCUMENTS

D195,254 S \* 5/1963 Keller et al. .... D15/25  
D205,485 S \* 8/1966 Juhl et al. .... D15/25

D294,032 S \* 2/1988 Whiffin ..... D12/15  
D431,574 S \* 10/2000 Porter ..... D15/25  
D438,218 S \* 2/2001 McIlwraith ..... D15/25  
6,397,967 B1 \* 6/2002 McIlwraith ..... E02F 9/0866  
180/308  
D470,513 S \* 2/2003 Miller ..... D15/22  
D479,535 S \* 9/2003 Lange ..... D15/25  
D482,701 S \* 11/2003 Bares ..... D15/24  
6,715,579 B1 \* 4/2004 Hendron ..... E02F 9/0841  
212/302  
D708,232 S \* 7/2014 Furuki ..... D15/23  
D756,420 S \* 5/2016 Okuyama ..... D15/23  
D758,457 S \* 6/2016 Okuyama ..... D15/23  
D763,928 S \* 8/2016 Okuyama ..... D15/25  
D798,340 S \* 9/2017 Hagura ..... D15/22

(Continued)

**OTHER PUBLICATIONS**

[Supportive Materials for Exception to Loss of Novelty] Presentation in "CES 2020," Las Vegas, U.S., Jan. 7-10, 2020, and related Web News ("Yonhap News" on Jan. 9, 2020, "Korea Joongang Daily" on Jan. 10, 2020), in connection with the corresponding Korean Application 30-2020-0013505.

*Primary Examiner* — Mark A Goodwin

(74) *Attorney, Agent, or Firm* — Hauptman Ham, LLP

(57) **CLAIM**

The ornamental design for a wheel loader, as shown and described.

**DESCRIPTION**

FIG. 1 is a perspective view of a wheel loader showing our new design;

FIG. 2 is a front view thereof;

FIG. 3 is a rear view thereof;

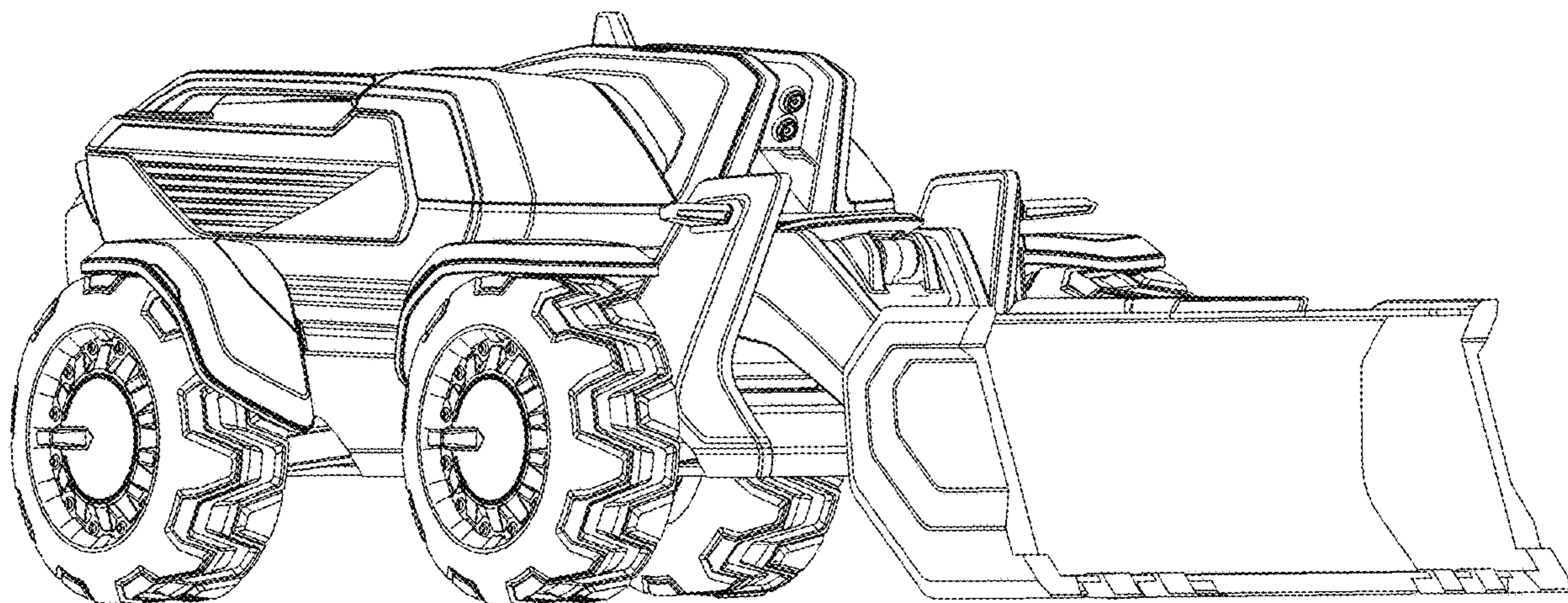
FIG. 4 is a left side view thereof;

FIG. 5 is a right side view thereof;

FIG. 6 is a top view thereof; and,

FIG. 7 is a bottom view thereof.

**1 Claim, 7 Drawing Sheets**



(56)

**References Cited**

U.S. PATENT DOCUMENTS

D808,441 S *	1/2018	Brueggen	.....	D15/24
D809,570 S *	2/2018	Brueggen	.....	D15/24
D851,134 S *	6/2019	Jilbert	.....	D15/25
D875,143 S *	2/2020	Hagura	.....	D15/24
D915,469 S *	4/2021	Ninomiya	.....	D15/25
2003/0108414 A1 *	6/2003	Walto	.....	E02F 9/2004 414/685

\* cited by examiner

FIG. 1

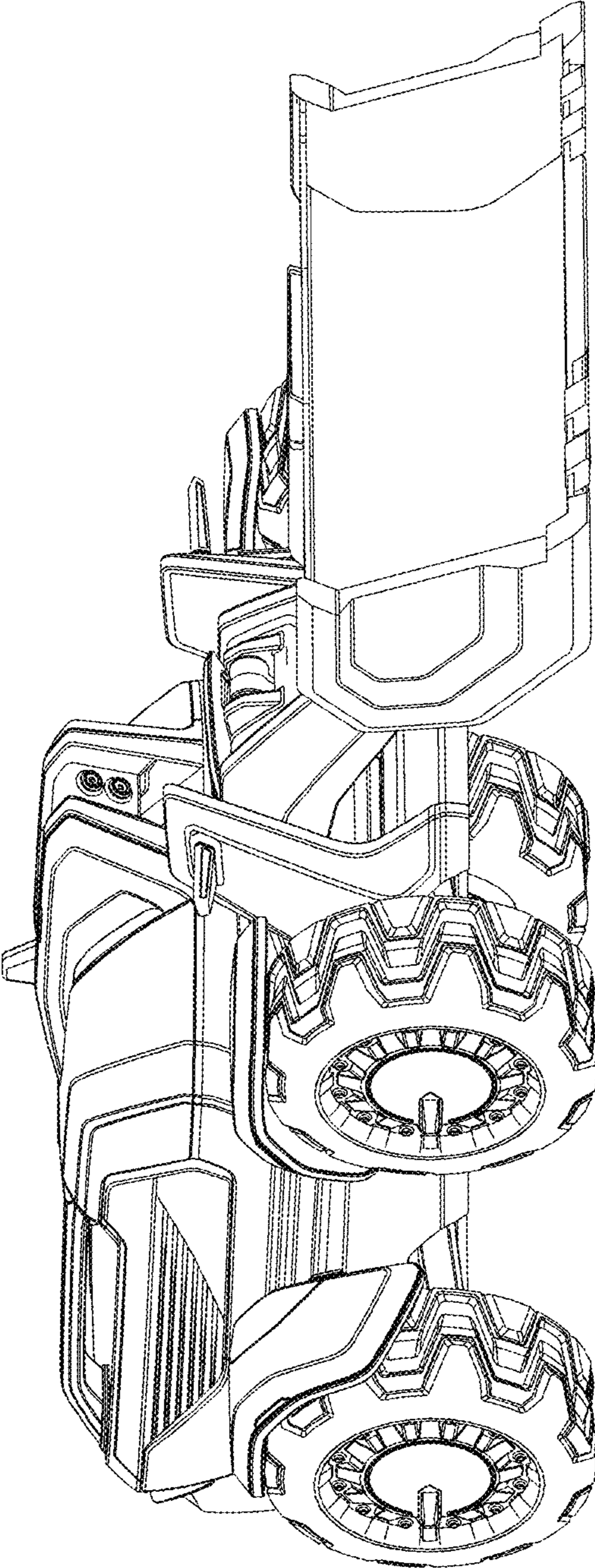




FIG. 2

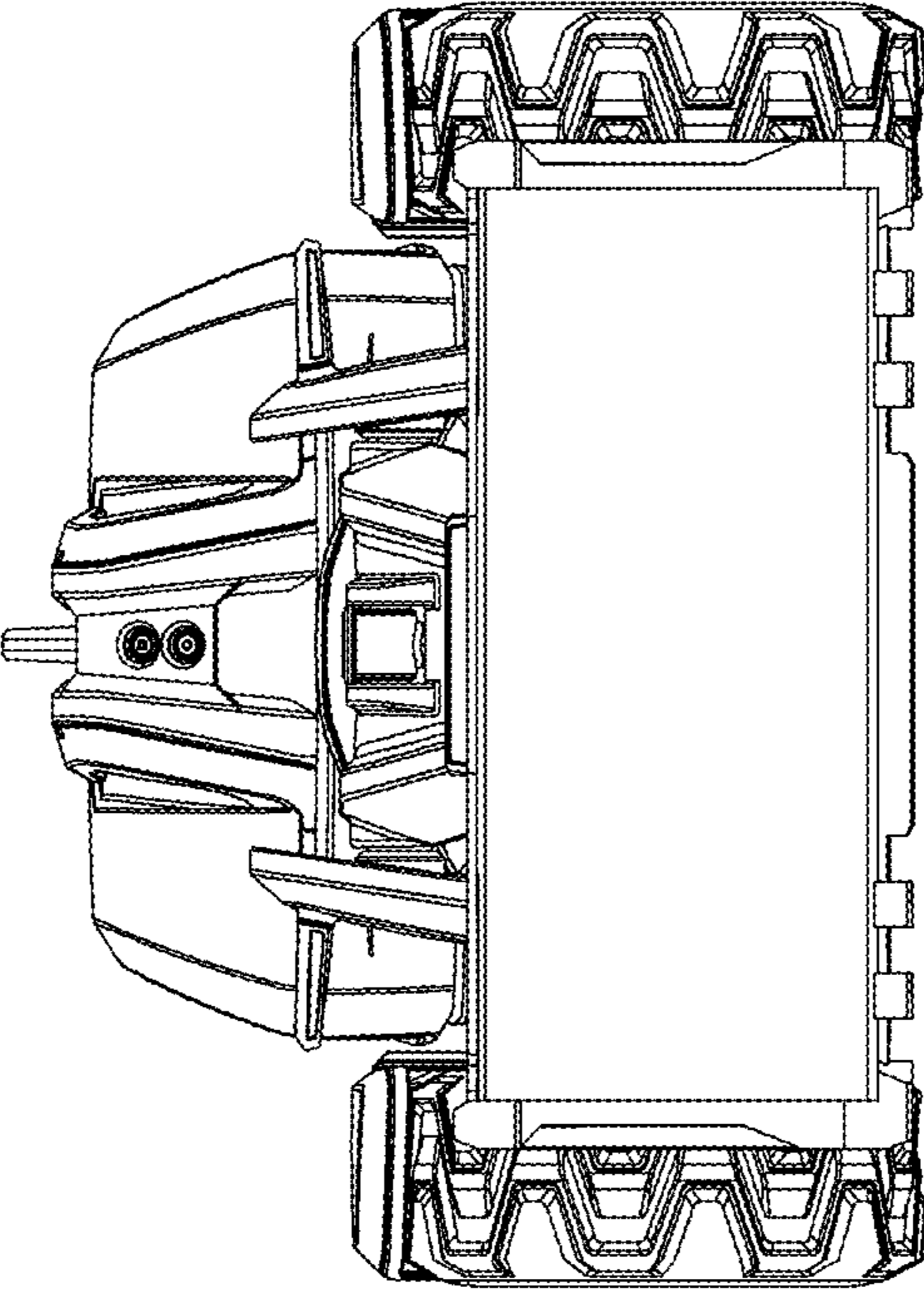


FIG. 3

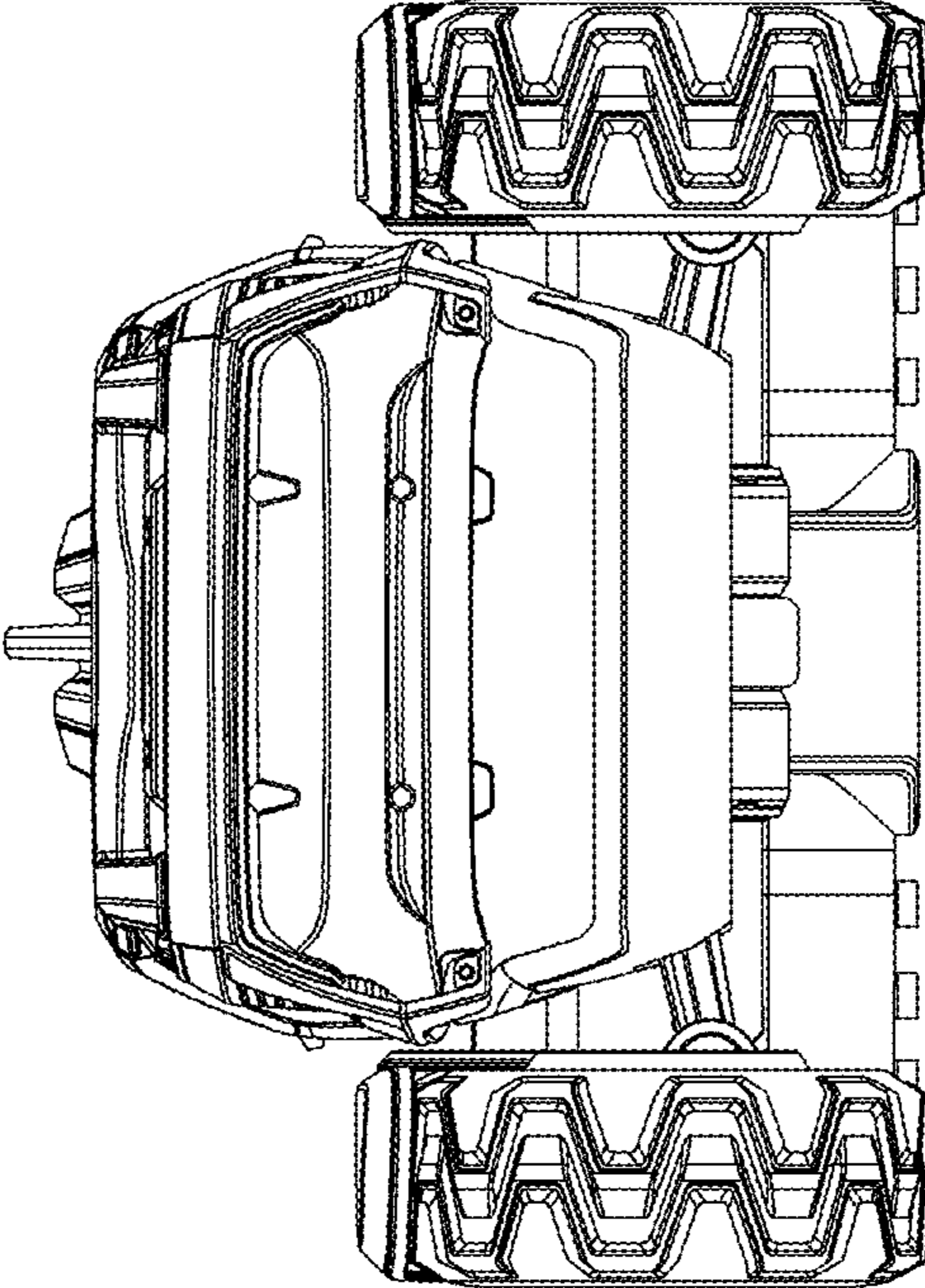


FIG. 4

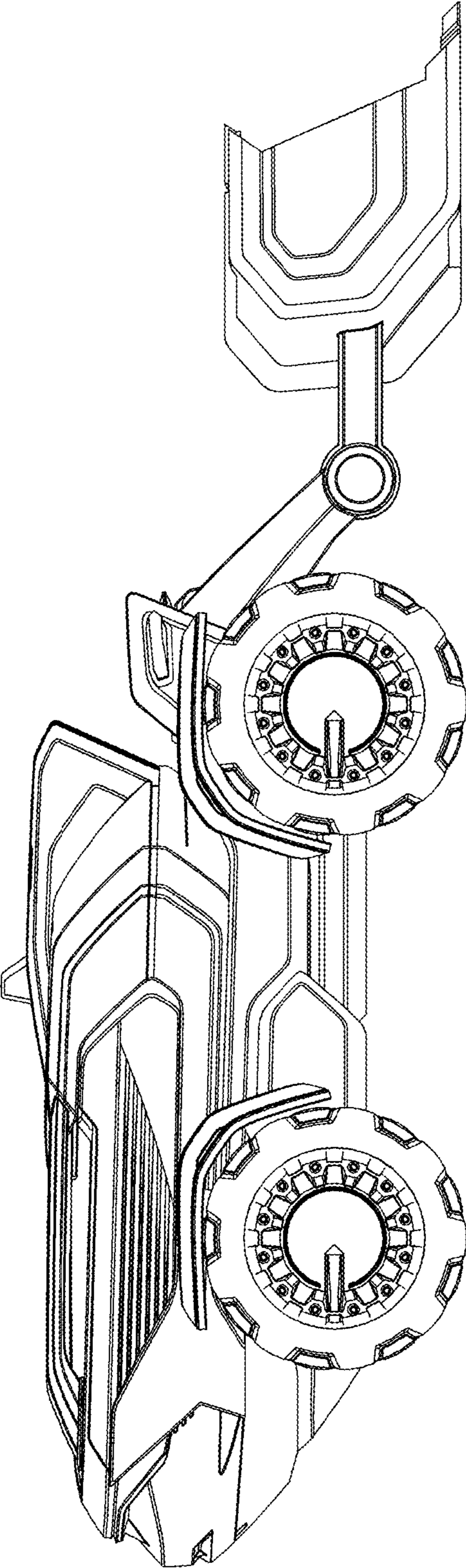


FIG. 5

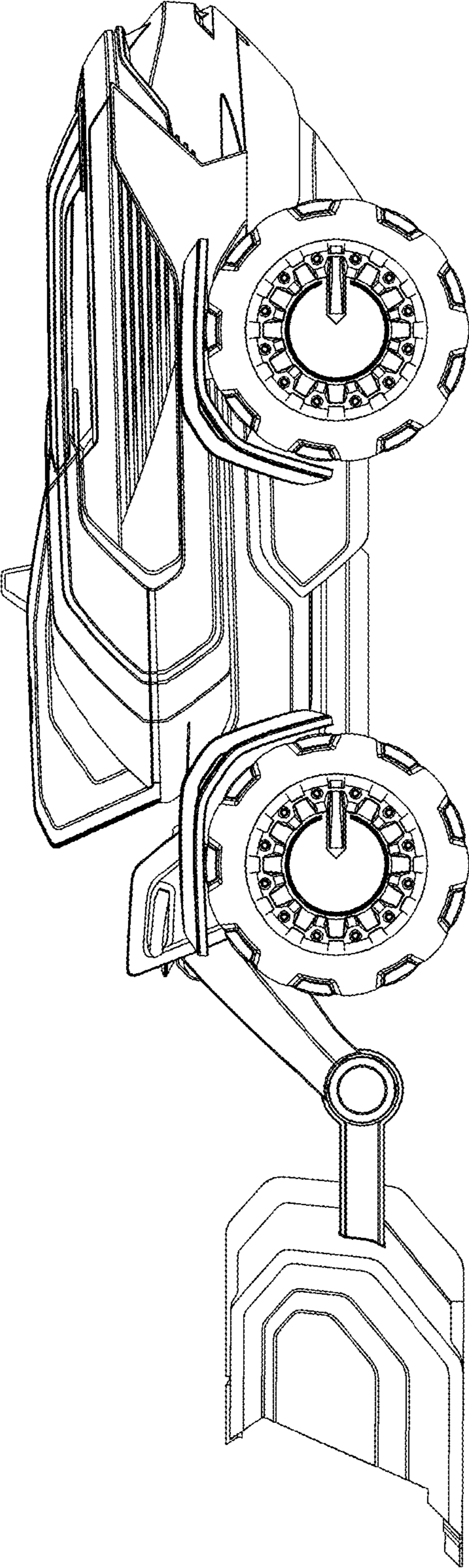




FIG. 6

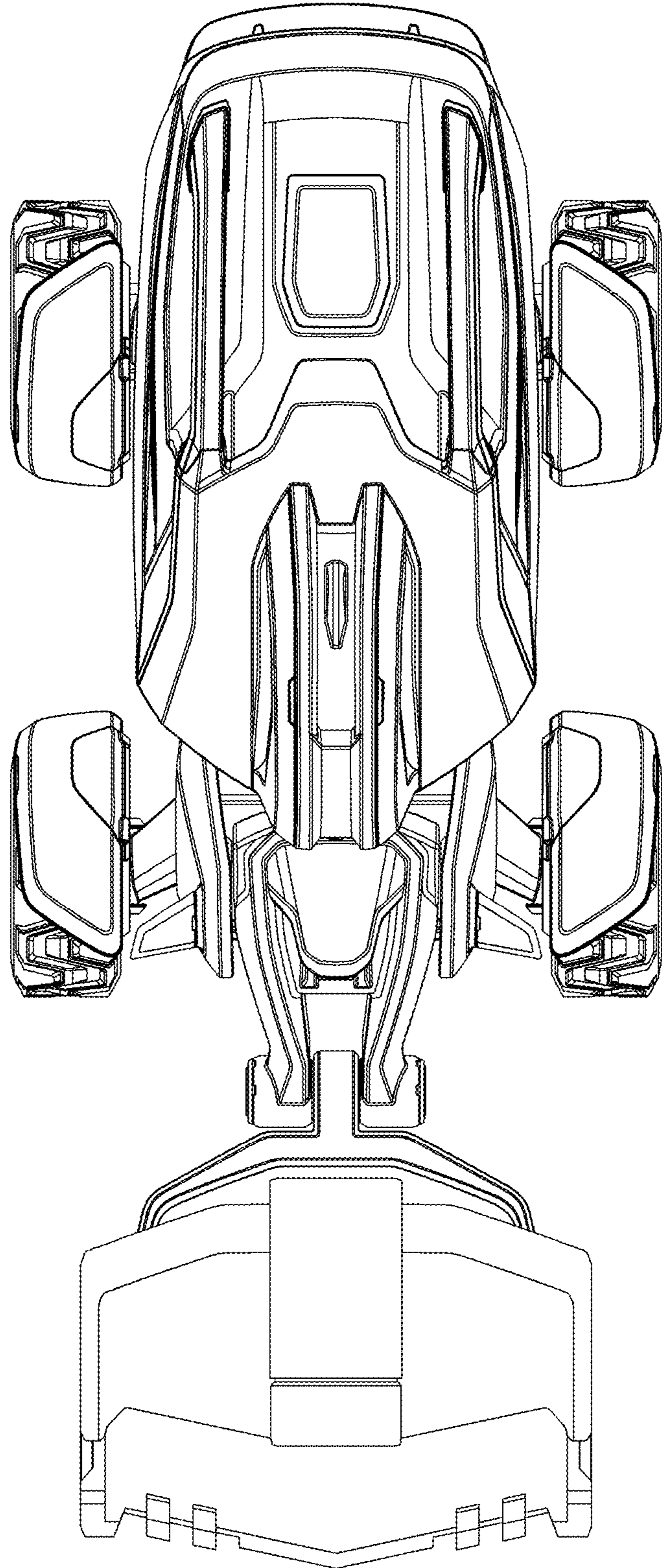




FIG. 7

