



US00D936706S

(12) **United States Design Patent**  
**Swatosch et al.**

(10) **Patent No.:** **US D936,706 S**

(45) **Date of Patent:** **\*\* Nov. 23, 2021**

(54) **VACUUM PUMP**

(71) Applicant: **VACUUBRAND GMBH + CO KG,**  
Wertheim (DE)

(72) Inventors: **Thorsten Swatosch,** Wertheim (DE);  
**Christian Fehn,** Unterbalbach (DE)

(73) Assignee: **VACUUBRAND GMBH + CO KG,**  
Wertheim (DE)

(\*\*) Term: **15 Years**

(21) Appl. No.: **29/731,905**

(22) Filed: **Apr. 20, 2020**

(51) **LOC (13) Cl.** ..... **15-02**

(52) **U.S. Cl.**  
USPC ..... **D15/7; D24/232**

(58) **Field of Classification Search**  
USPC ..... D13/107, 109, 110, 112, 123, 133, 184;  
D15/7-9, 144, 144.1, 144.2; D24/232  
CPC ... B23K 9/00; B23K 9/10; B23K 9/06; B23K  
9/32; B23K 10/00; B23K 10/02; B23K  
28/02; B23K 37/0294; F04B 53/14; F04B  
53/92; F04B 33/00; F04B 33/005; F04B  
1/005; F04D 13/06; F04D 29/60; F04D  
29/22; F04D 29/046; F04D 29/2266;  
F16K 11/048; F16K 15/20; F16K 31/602;  
F16L 37/18; F16L 37/20; F16L 25/00  
See application file for complete search history.

(56) **References Cited**

**U.S. PATENT DOCUMENTS**

D303,533 S *	9/1989	Eberhardt	.....	D15/7
D357,927 S *	5/1995	Soderholm	.....	D15/144.1
D520,038 S *	5/2006	Ljungfeldt	.....	D15/144.1
D569,884 S *	5/2008	Shu	.....	D15/144
D665,833 S *	8/2012	Raymond	.....	D15/144
D751,033 S *	3/2016	Dessart	.....	D13/110
D752,665 S *	3/2016	Kindig	.....	D15/144
D762,165 S *	7/2016	Rowe	.....	D13/103

D813,161 S *	3/2018	Ortakales	.....	D13/110
D828,293 S *	9/2018	Li	.....	D13/102
D837,149 S *	1/2019	Yin	.....	D13/108
D844,035 S *	3/2019	Hruska	.....	D15/144
D854,593 S *	7/2019	Shu	.....	D15/144

(Continued)

**OTHER PUBLICATIONS**

Vacuubrand, VACUU•PURE 10C Screw pump for aggressive gases and vapors, (site visited Sep. 3, 2021), Vacuubrand website, URL:<<https://www.vacuubrand.com/us/page1501.html>> (Year: 2021).\*

(Continued)

*Primary Examiner* — Calvin E Vansant

*Assistant Examiner* — Mark T. Philipps

(74) *Attorney, Agent, or Firm* — David S. Safran; Roberts Calderon Safran & Cole, P.C.

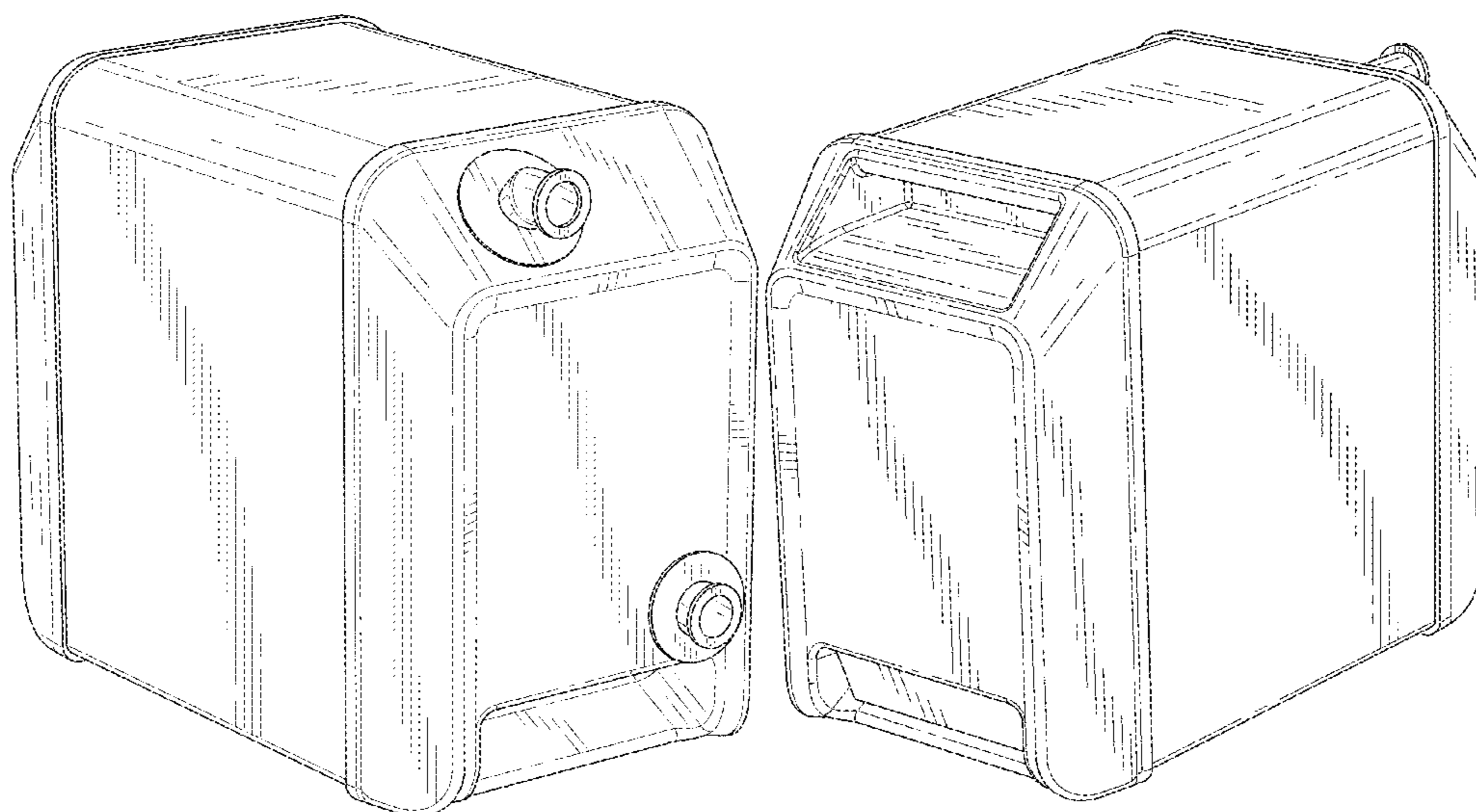
(57) **CLAIM**

The ornamental design for a vacuum pump, as shown and described.

**DESCRIPTION**

FIG. 1 is a perspective view of the design of a vacuum pump in accordance with the invention as seen from the front; FIG. 2 is a rear perspective view of the vacuum pump shown in FIG. 1; FIG. 3 is a front elevational view of the vacuum pump shown in FIG. 1; FIG. 4 is a rear elevational view of the vacuum pump shown in FIG. 1; FIG. 5 is a right elevational view of the vacuum pump shown in FIG. 1; FIG. 6 is a left elevational view of the vacuum pump shown in FIG. 1; and, FIG. 7 is a top plan view of the vacuum pump shown in FIG. 1.  
The bottom view of the design is plain and unadorned.

**1 Claim, 7 Drawing Sheets**



(56)

**References Cited**

U.S. PATENT DOCUMENTS

D855,092	S	*	7/2019	Shu	.....	D15/144
D868,126	S	*	11/2019	Shu	.....	D15/144
D870,042	S	*	12/2019	Chen	.....	D13/110
D873,767	S	*	1/2020	Rao	.....	D13/107
D884,042	S	*	5/2020	Shu	.....	D15/144
D884,758	S	*	5/2020	Shu	.....	D15/144
D907,080	S	*	1/2021	Shu	.....	D15/144
D914,071	S	*	3/2021	Dekker	.....	D15/144
D916,020	S	*	4/2021	Drabek	.....	D13/112
D924,288	S	*	7/2021	Lowther	.....	D15/144
2006/0073033	A1	*	4/2006	Sundheim	.....	F04C 29/005 417/410.3
2009/0277881	A1	*	11/2009	Bornemann	.....	H05H 1/34 219/121.39
2017/0312863	A1	*	11/2017	Melius	.....	B23K 9/1006

OTHER PUBLICATIONS

Bluetti, Portable Power Station AC200P 2000W 2000Wh Solar Generator, (first available date Nov. 9, 2020), Amazon.com, URL:<<https://www.amazon.com/BLUETTI-Portable-Station-Generator-Emergency/dp/B08MZJW9Y5/>> (Year: 2020).\*

VIVA Concept, “VA402 Laser Tattoo Removal Machine”, (copyright 2020), Viva-Laser.com, <<https://viva-laser.com/laser-tattoo-removal-va-402/>> (Year: 2020).\*

\* cited by examiner

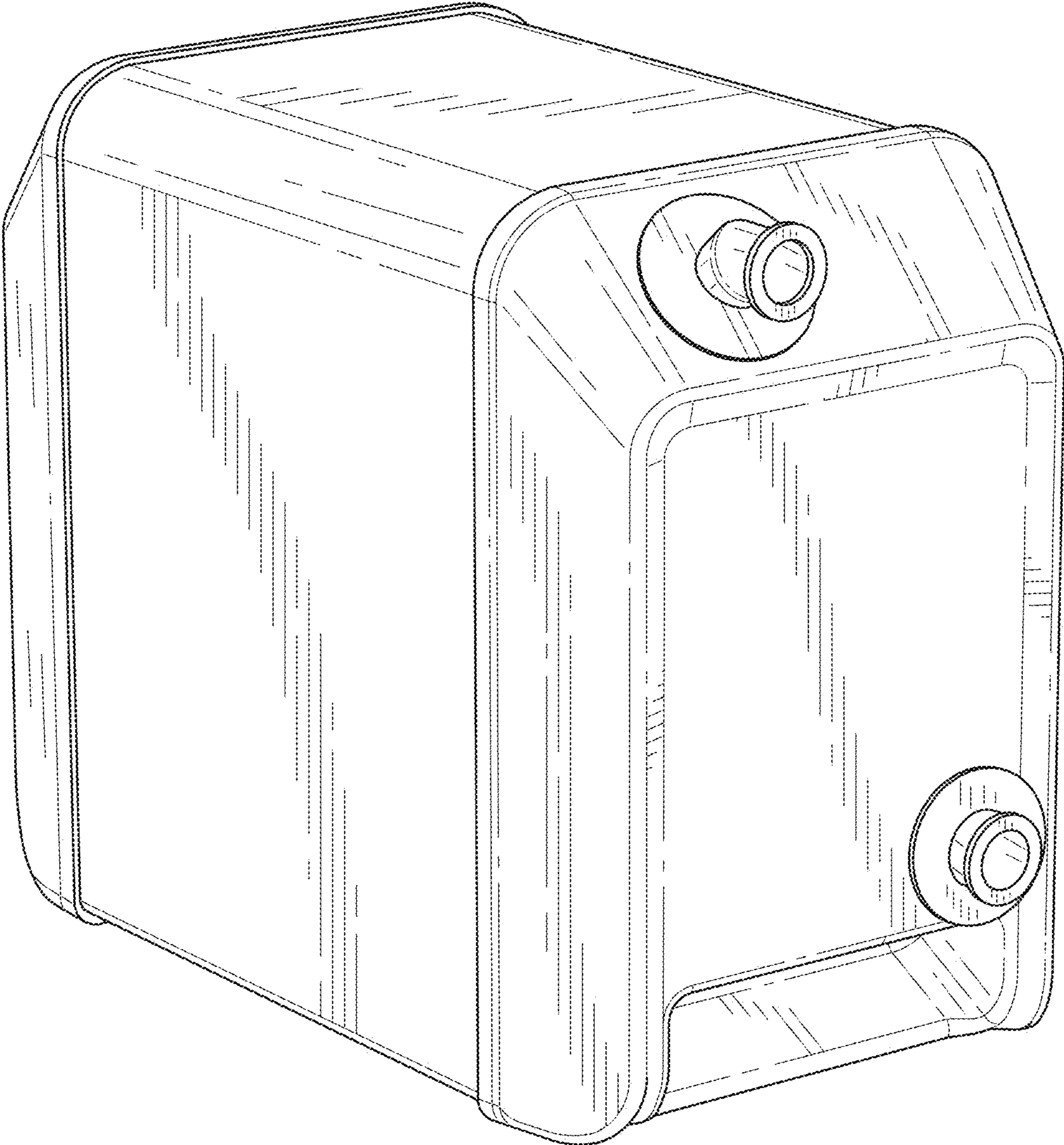


FIG. 1

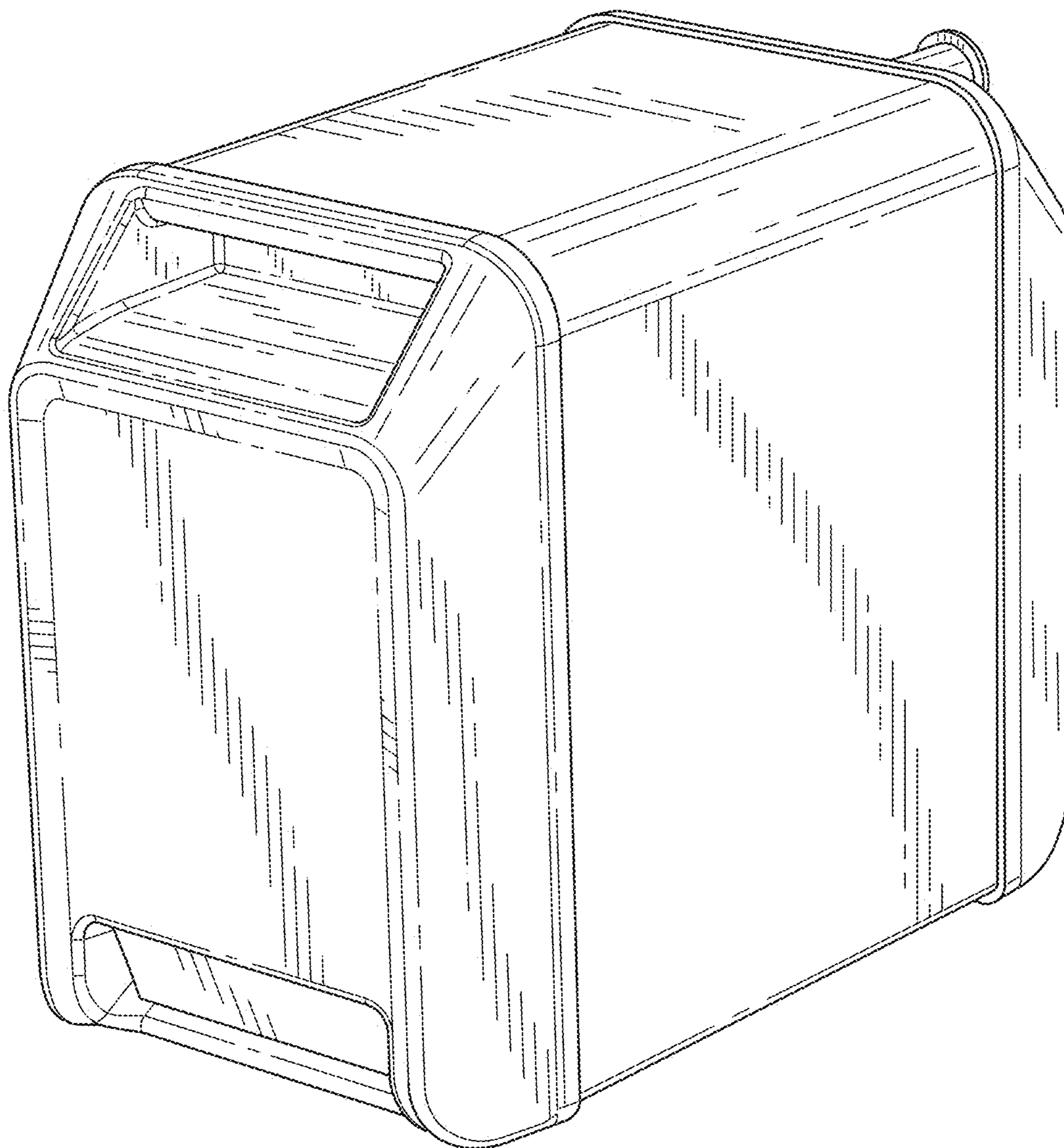


FIG. 2

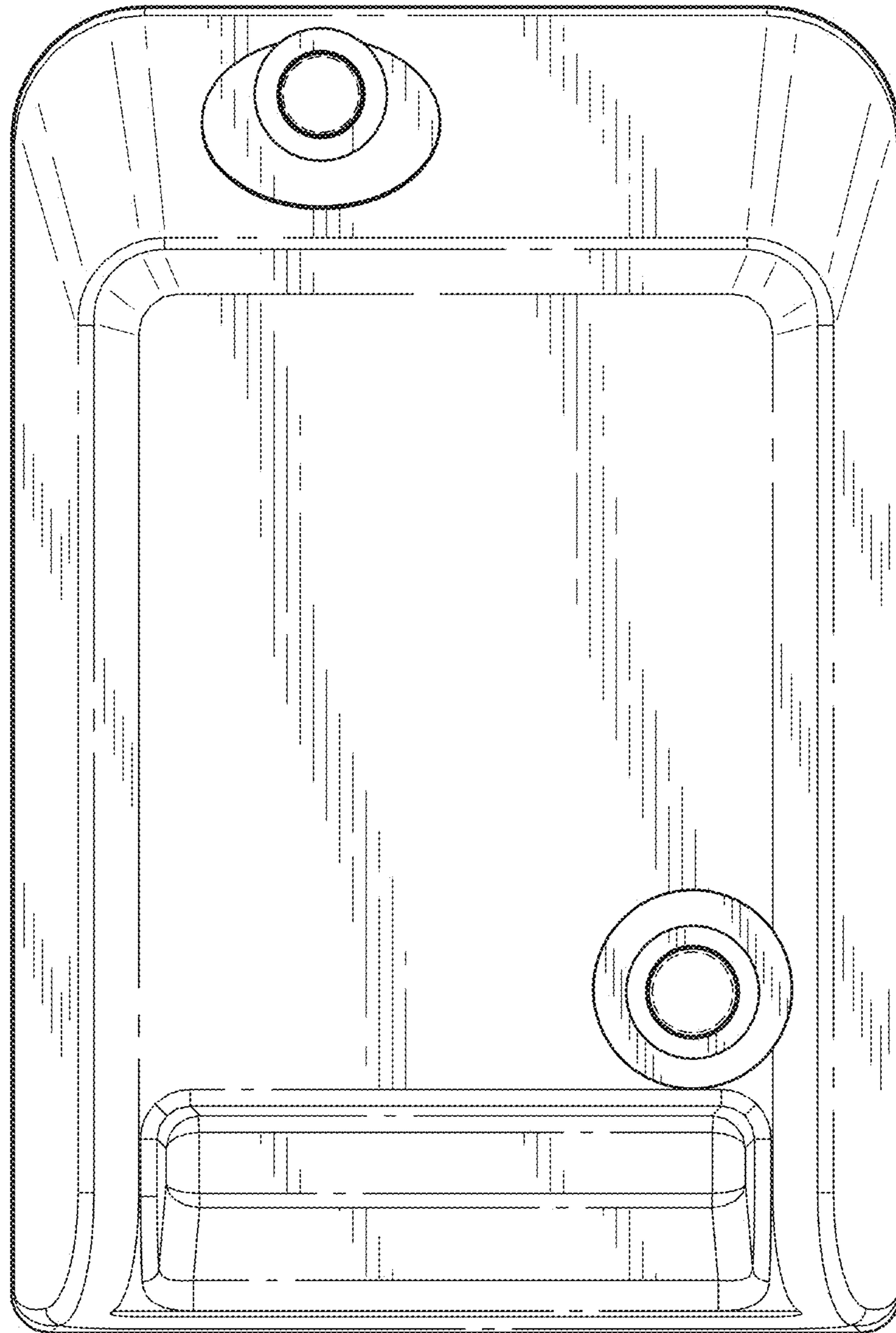


FIG. 3

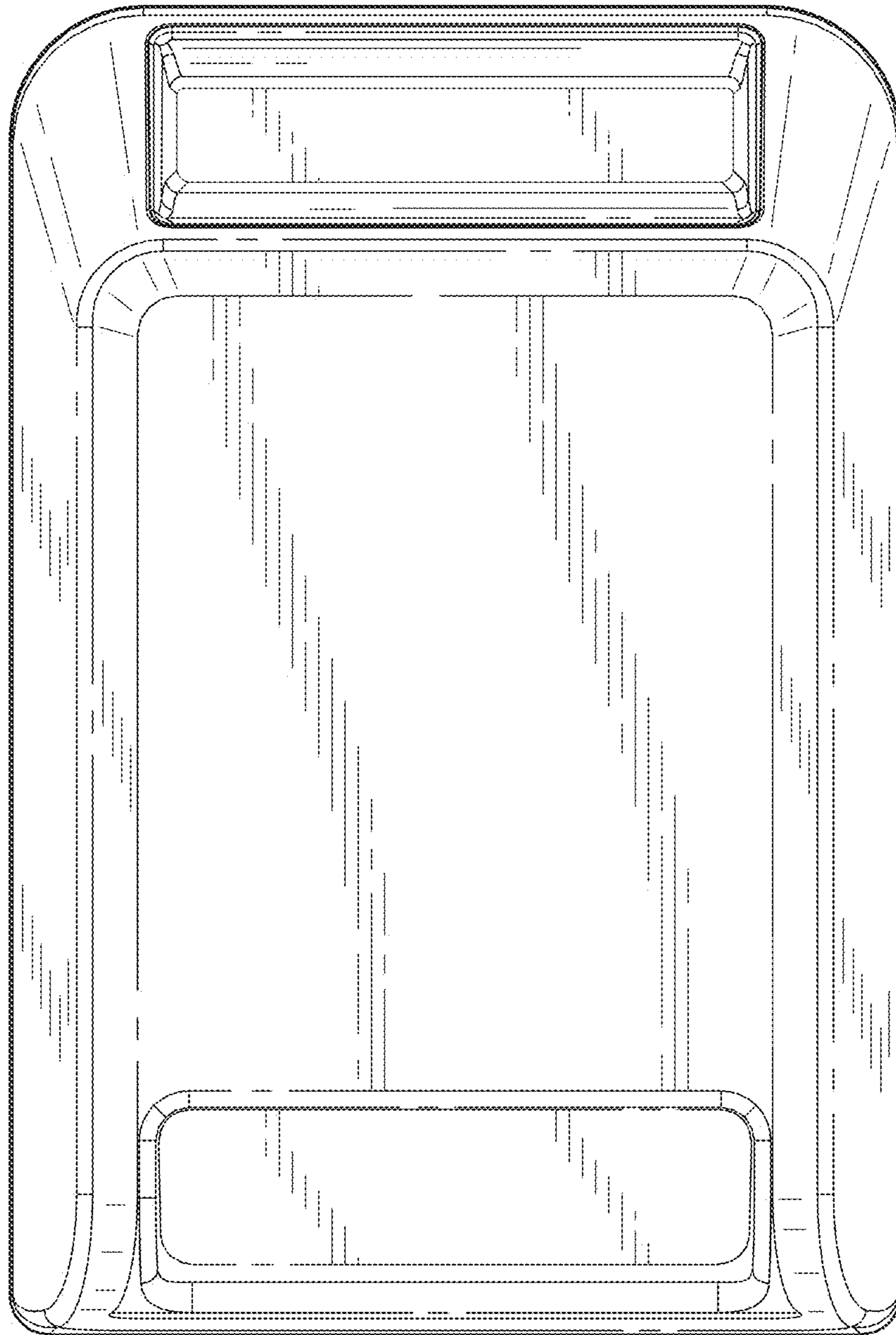


FIG. 4

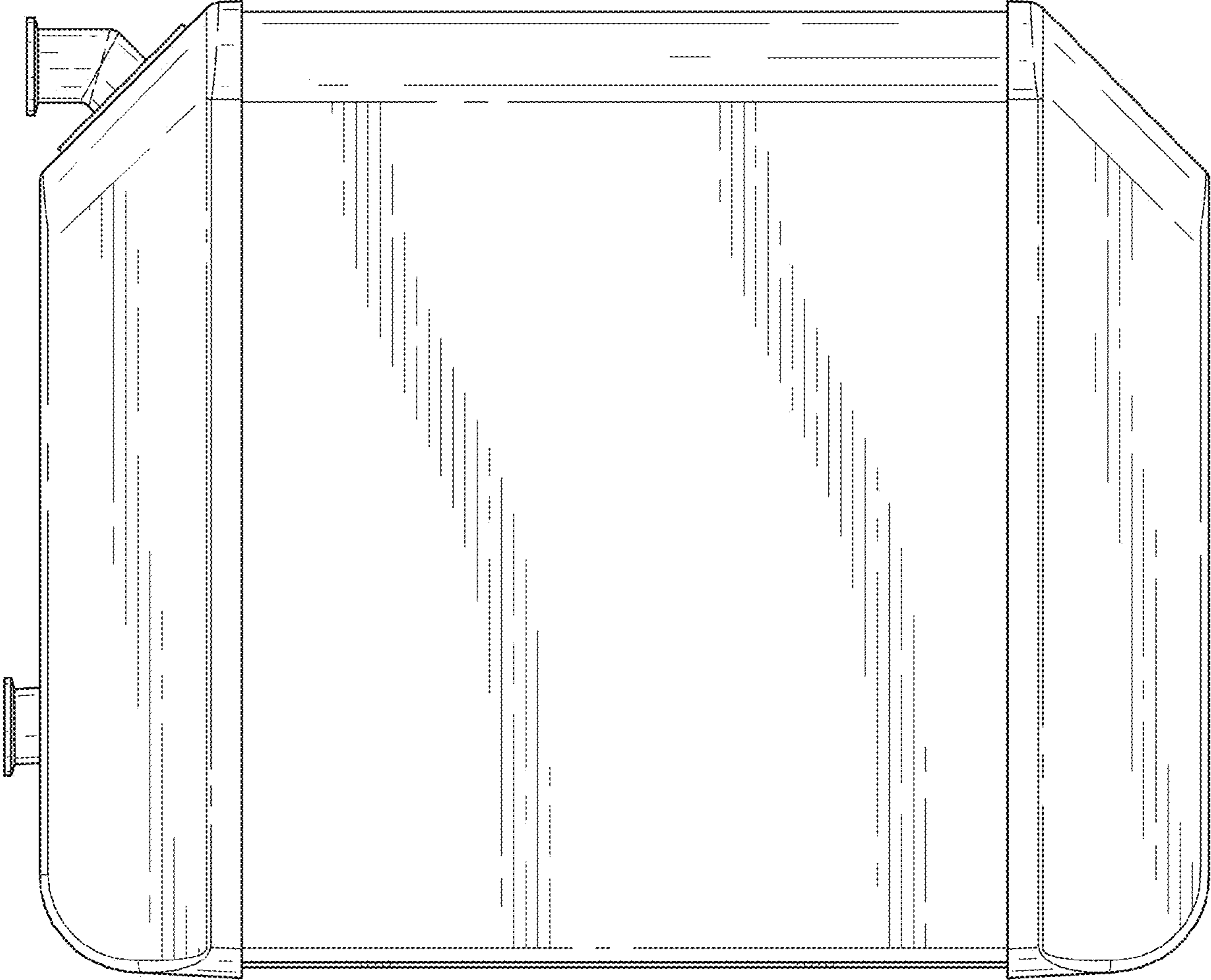


FIG. 5

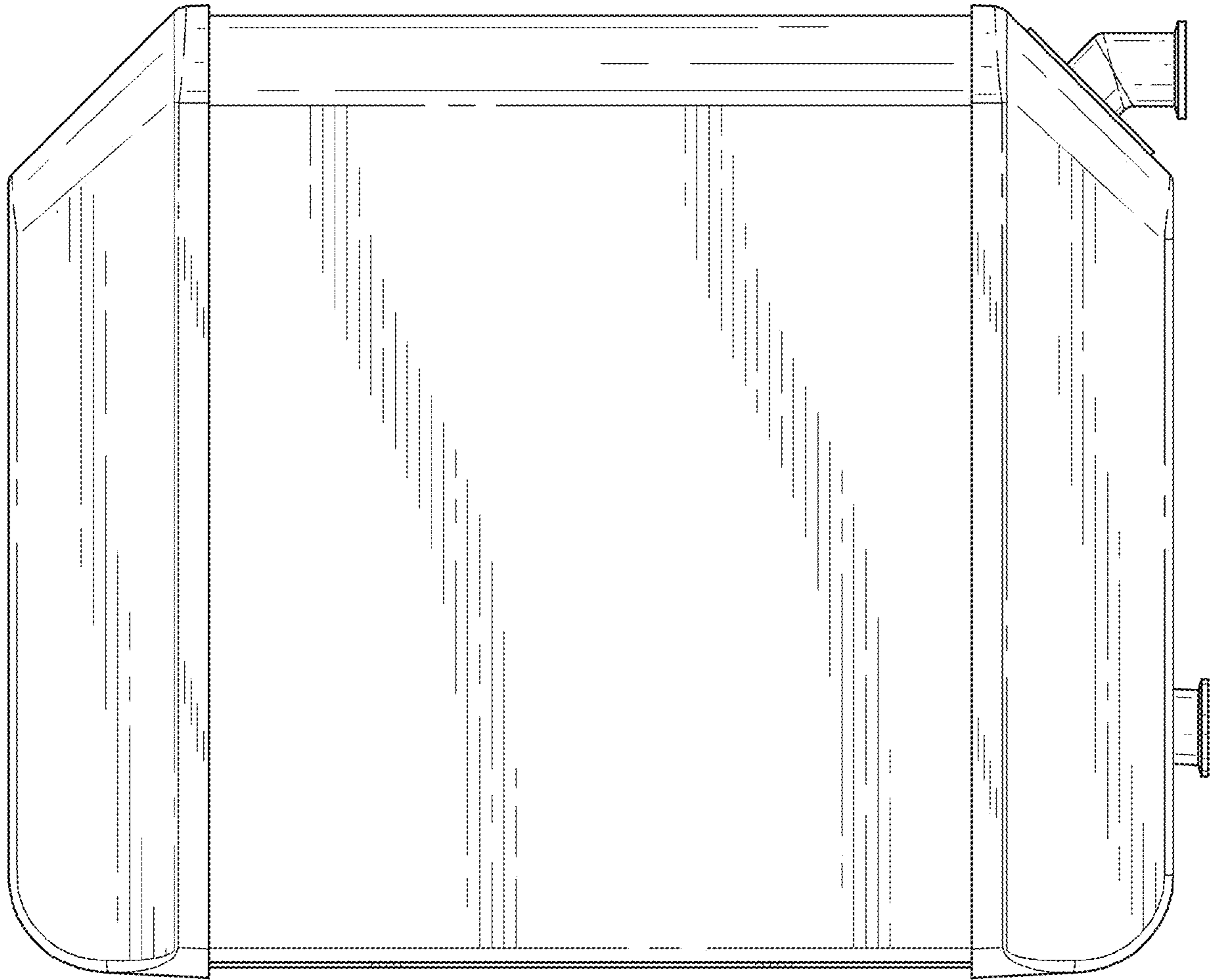


FIG. 6



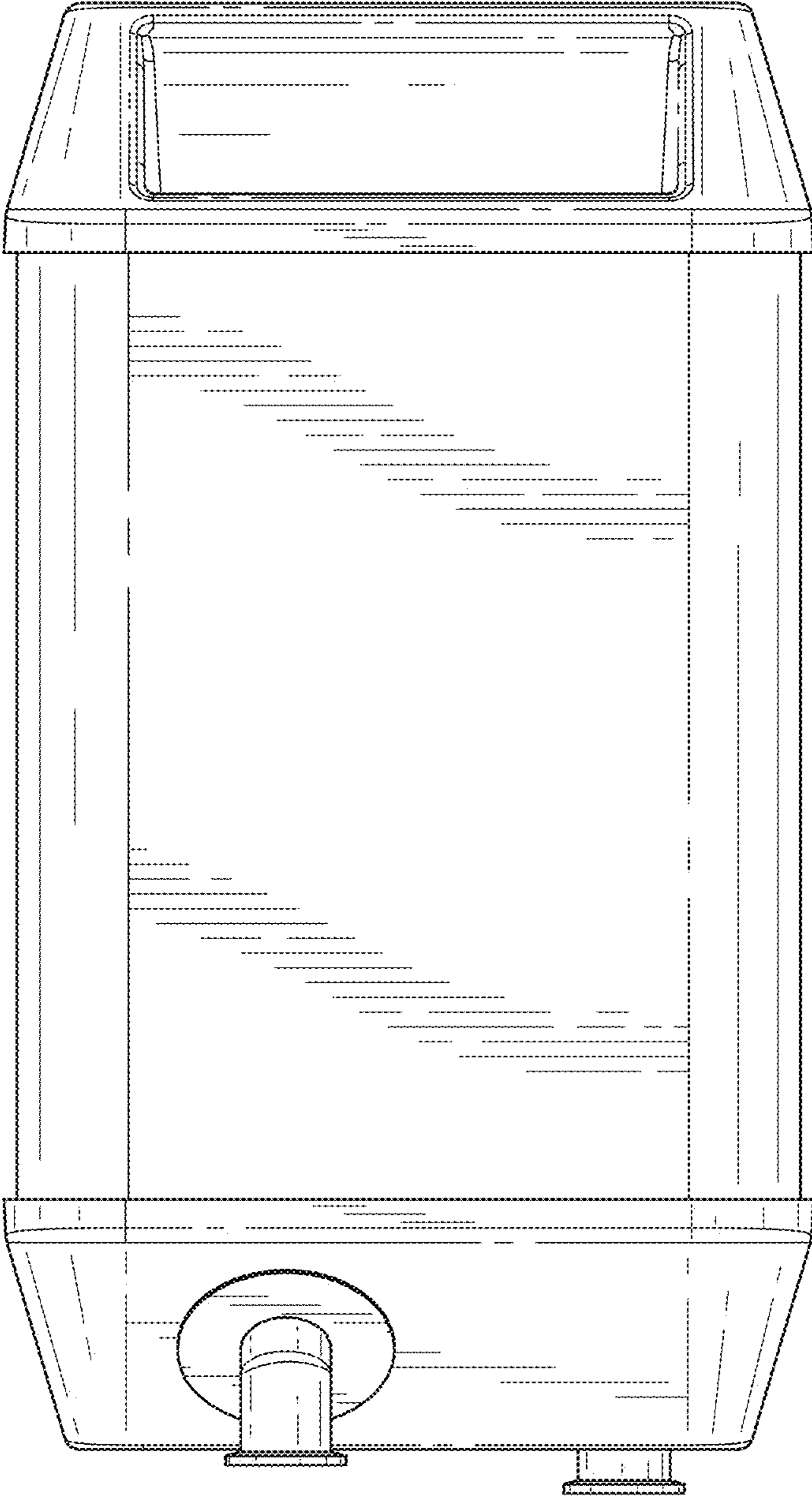


FIG. 7