



US00D936705S

(12) **United States Design Patent**
Einfalt

(10) **Patent No.:** **US D936,705 S**

(45) **Date of Patent:** **** Nov. 23, 2021**

(54) **PUMP**

(71) Applicant: **Parker-Hannifin Corporation**,
Cleveland, OH (US)

(72) Inventor: **John B. Einfalt**, Girard, OH (US)

(73) Assignee: **Parker-Hannifin Corporation**,
Cleveland, OH (US)

(**) Term: **15 Years**

(21) Appl. No.: **29/724,374**

(22) Filed: **Feb. 14, 2020**

(51) **LOC (13) Cl.** **15-02**

(52) **U.S. Cl.**
USPC **D15/7**

(58) **Field of Classification Search**
USPC D15/7, 9, 143, 148–149, 199; D23/225,
D23/231–233, 235
CPC F15B 15/16; F15B 15/26; F15B 15/1414;
F15B 15/1919; F15B 15/14; F15B 15/00;
F15B 15/08; F15B 15/18; F15B 15/20;
F02M 37/04; F04D 29/4286
See application file for complete search history.

(56) **References Cited**

U.S. PATENT DOCUMENTS

2,232,983	A *	2/1941	Wahlmark	F04C 14/26 210/416.4
5,466,131	A	11/1995	Altham et al.		
D479,245	S *	9/2003	Leu	D15/7
D479,722	S *	9/2003	Poon	D15/7
D487,471	S *	3/2004	Rivera	D15/7
6,729,855	B2	5/2004	Havlik et al.		
D603,870	S *	11/2009	Mehnert	D15/7
D604,331	S *	11/2009	Tokunaga	D15/7
D613,769	S *	4/2010	Kitamura	D15/7
D613,770	S *	4/2010	Kitamura	D15/7
D688,273	S *	8/2013	Magri	D15/7

D782,540	S *	3/2017	Zhang	D15/7
D805,557	S *	12/2017	Lanevongsa	D15/7
10,174,759	B2	1/2019	Kim		

(Continued)

FOREIGN PATENT DOCUMENTS

DE	102015121311	6/2017
KR	20180079574 A	7/2018

OTHER PUBLICATIONS

Rugged Made, Hydraulic Gear Pump, 6.5 GPM Single Stage, Clockwise Rotation, 3600 PSI, (first date available Aug. 20, 2018), Amazon.com, URL:<<https://www.amazon.com/RuggedMade-Hydraulic-Single-Clockwise-Rotation/dp/B07GNV9YMY>> (Year: 2018).*

(Continued)

Primary Examiner — Calvin E Vansant

Assistant Examiner — Mark T. Philipps

(74) *Attorney, Agent, or Firm* — Renner, Otto, Boisselle & Sklar, LLP

(57)

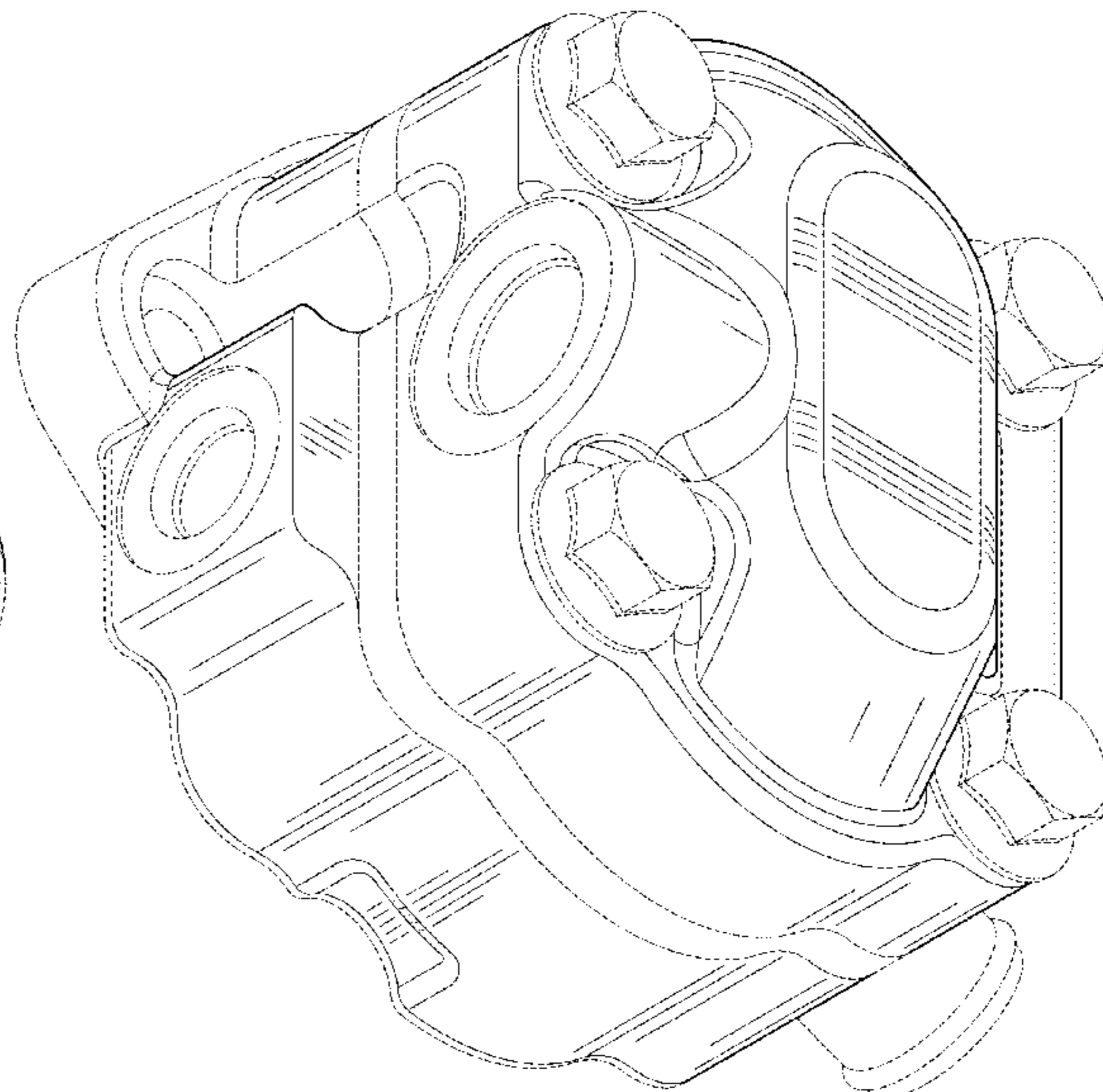
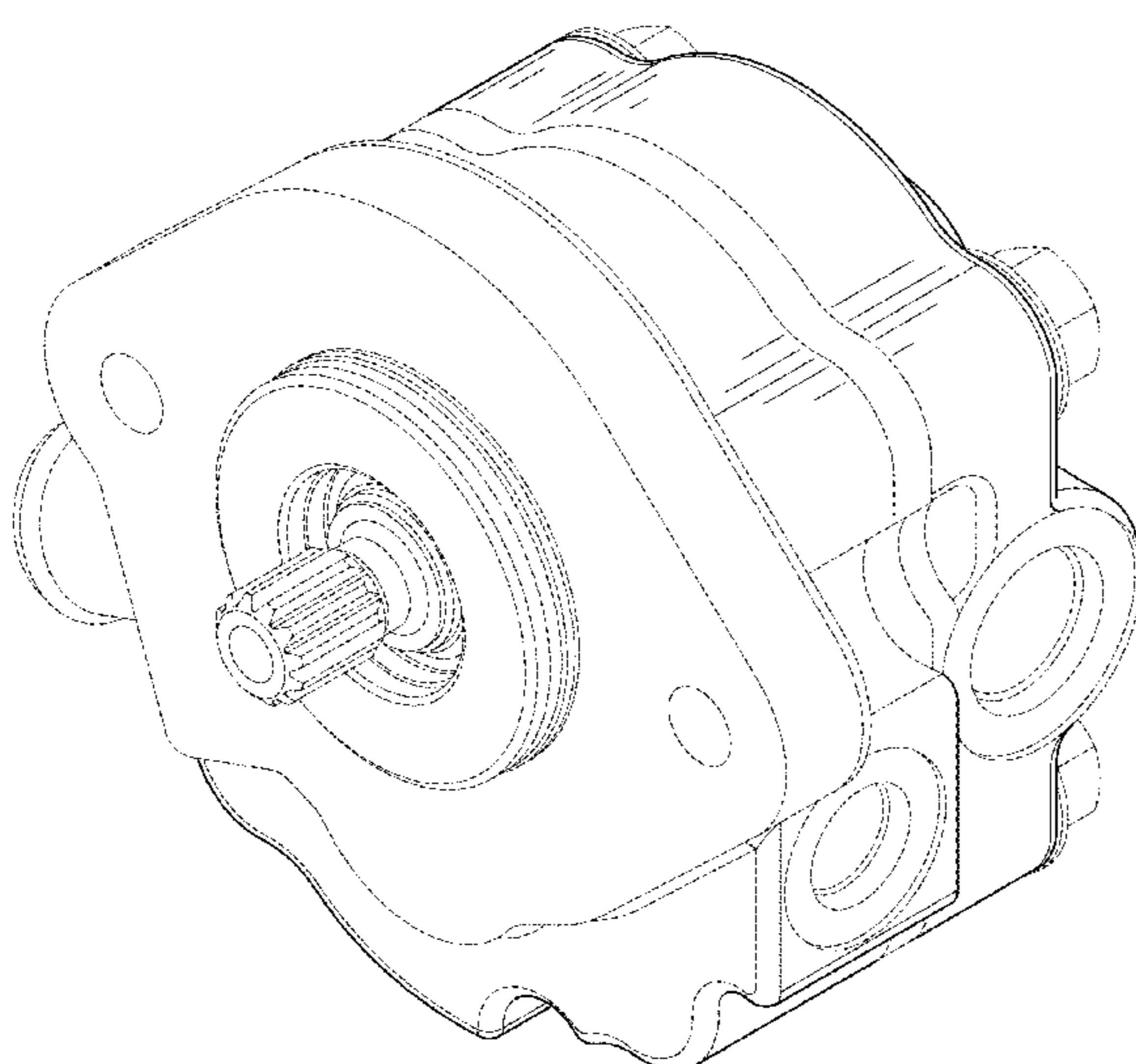
CLAIM

The ornamental design for a pump, as shown and described.

DESCRIPTION

FIG. 1 is a top, right, front perspective view of a pump showing my new design;
FIG. 2 is a bottom, right, rear perspective view thereof;
FIG. 3 is a top, left, rear perspective view thereof;
FIG. 4 is a top plan view thereof;
FIG. 5 is a bottom plan view thereof;
FIG. 6 is a left side elevation view thereof;
FIG. 7 is a right side elevation view thereof;
FIG. 8 is a rear elevation view thereof; and,
FIG. 9 is a front elevation view thereof.
The broken line showing is for the purpose of illustrating portions of the pump and forms no part of the claimed design.

1 Claim, 6 Drawing Sheets



(56)

References Cited

U.S. PATENT DOCUMENTS

D914,061 S * 3/2021 Del Aguila D15/7
2016/0348654 A1 * 12/2016 Yasuda F04B 27/22
2020/0362860 A1 * 11/2020 Einfalt F04C 11/001

OTHER PUBLICATIONS

Parker, 5 GPM, 7/8-14 UNF-2B SAE Inlet Size, 2,000 RPM, 1/2" Shaft Diam, SAE AA Mount, Hydraulic Gear Pump, (site visited Aug. 12, 2021), Govets.com website, URL:<<https://www.govets.com/index.php/parker-310-09630286.html>> (Year: 2021).*

* cited by examiner

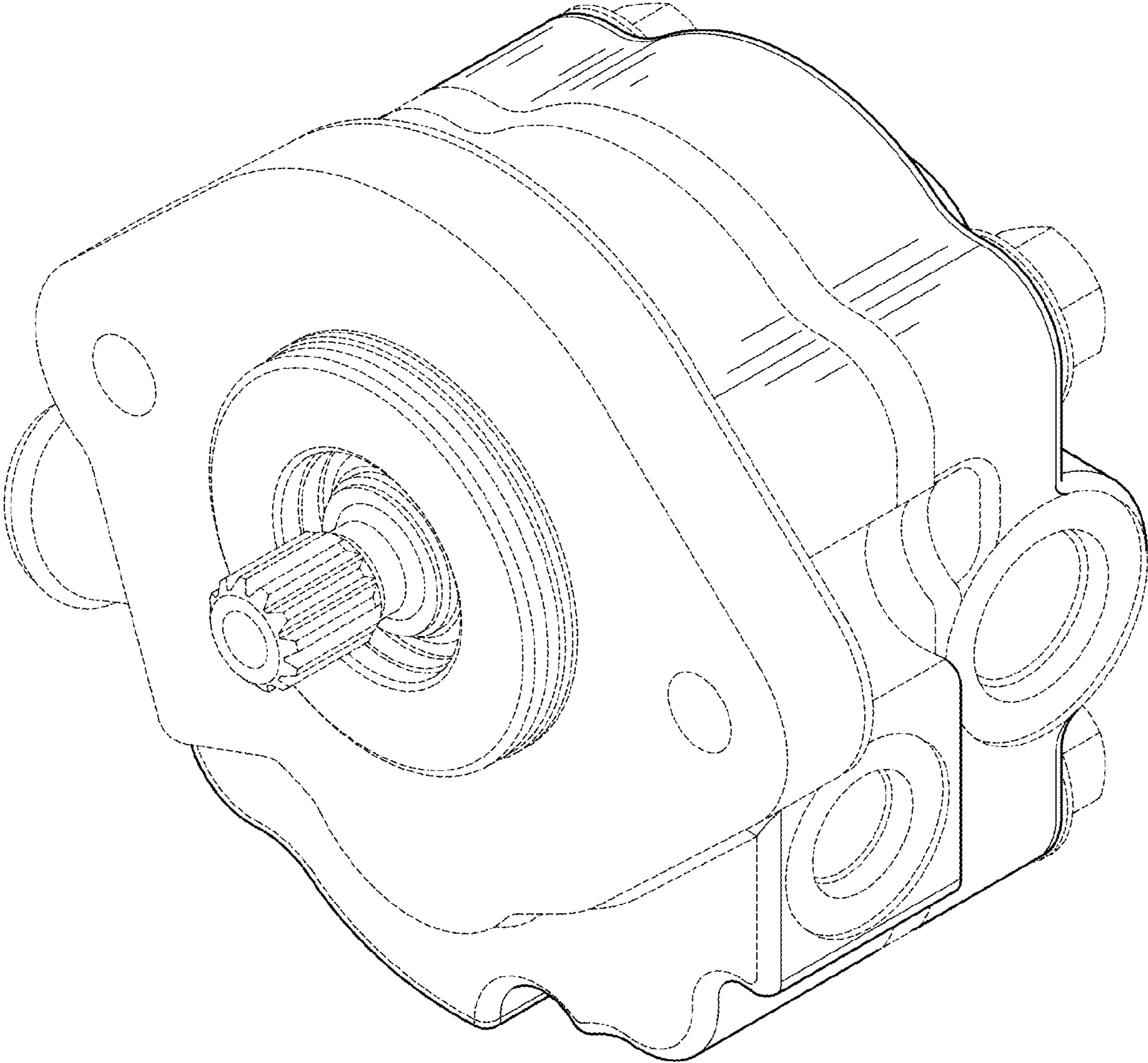


FIG. 1

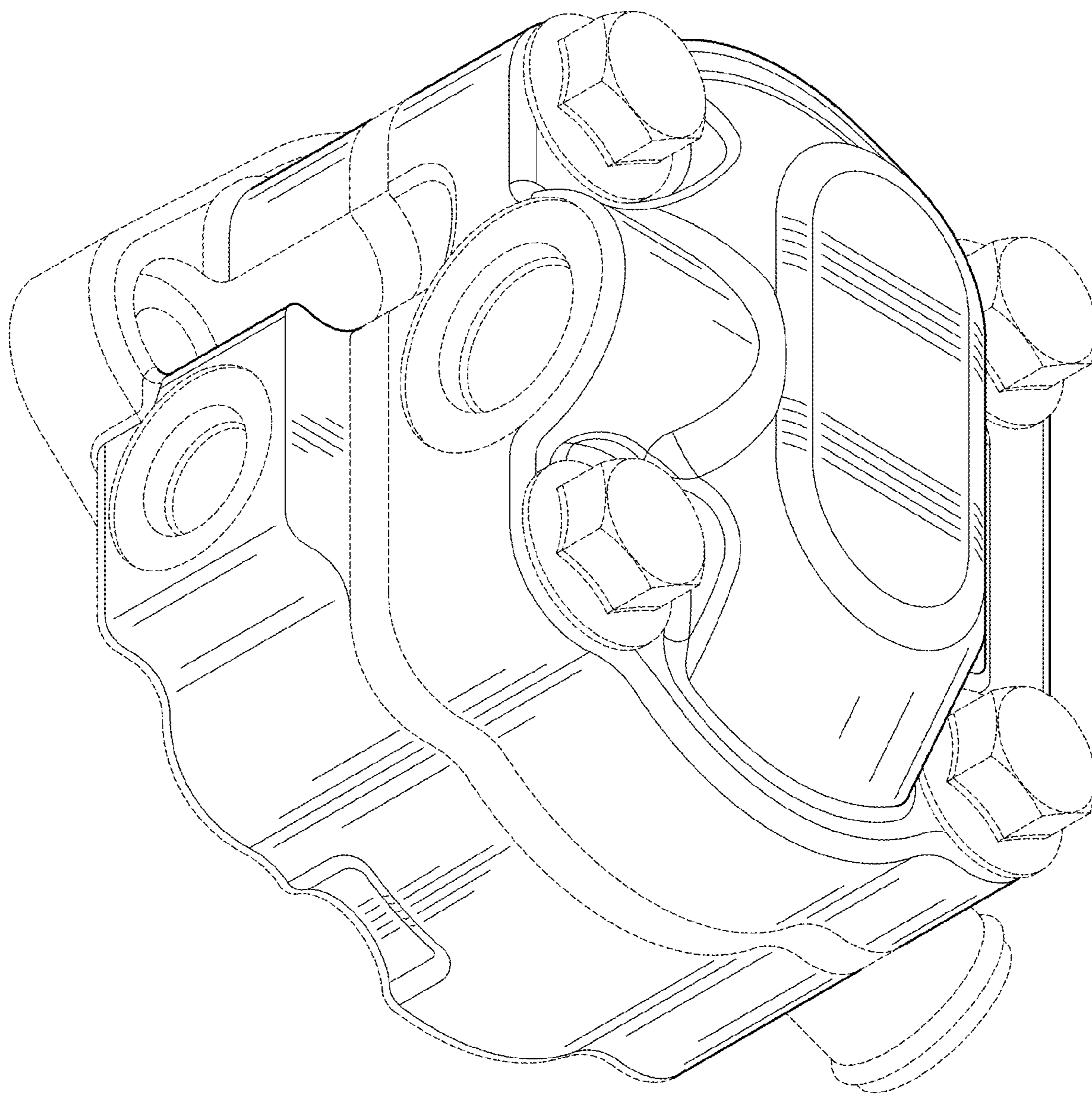


FIG. 2

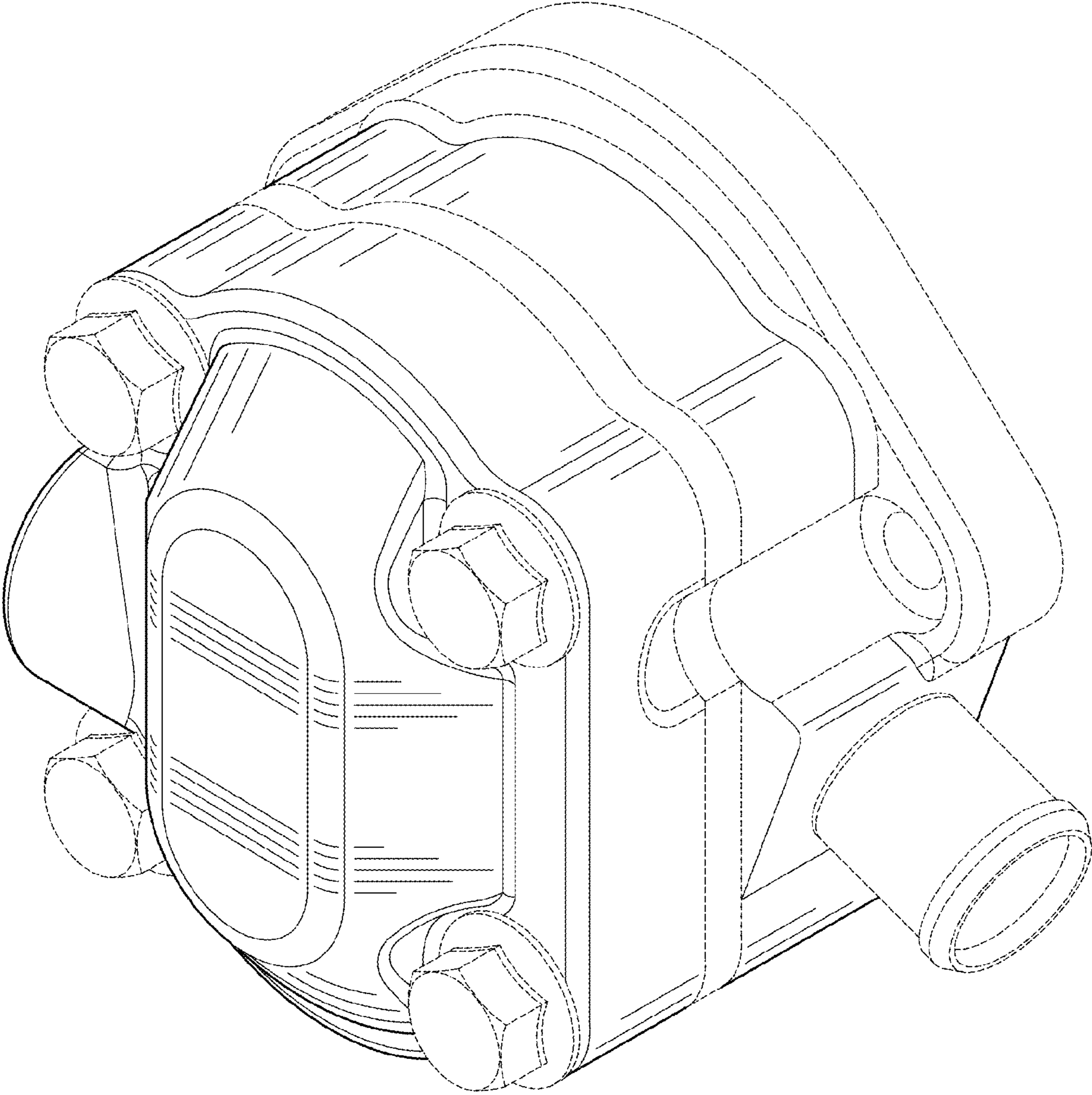


FIG. 3

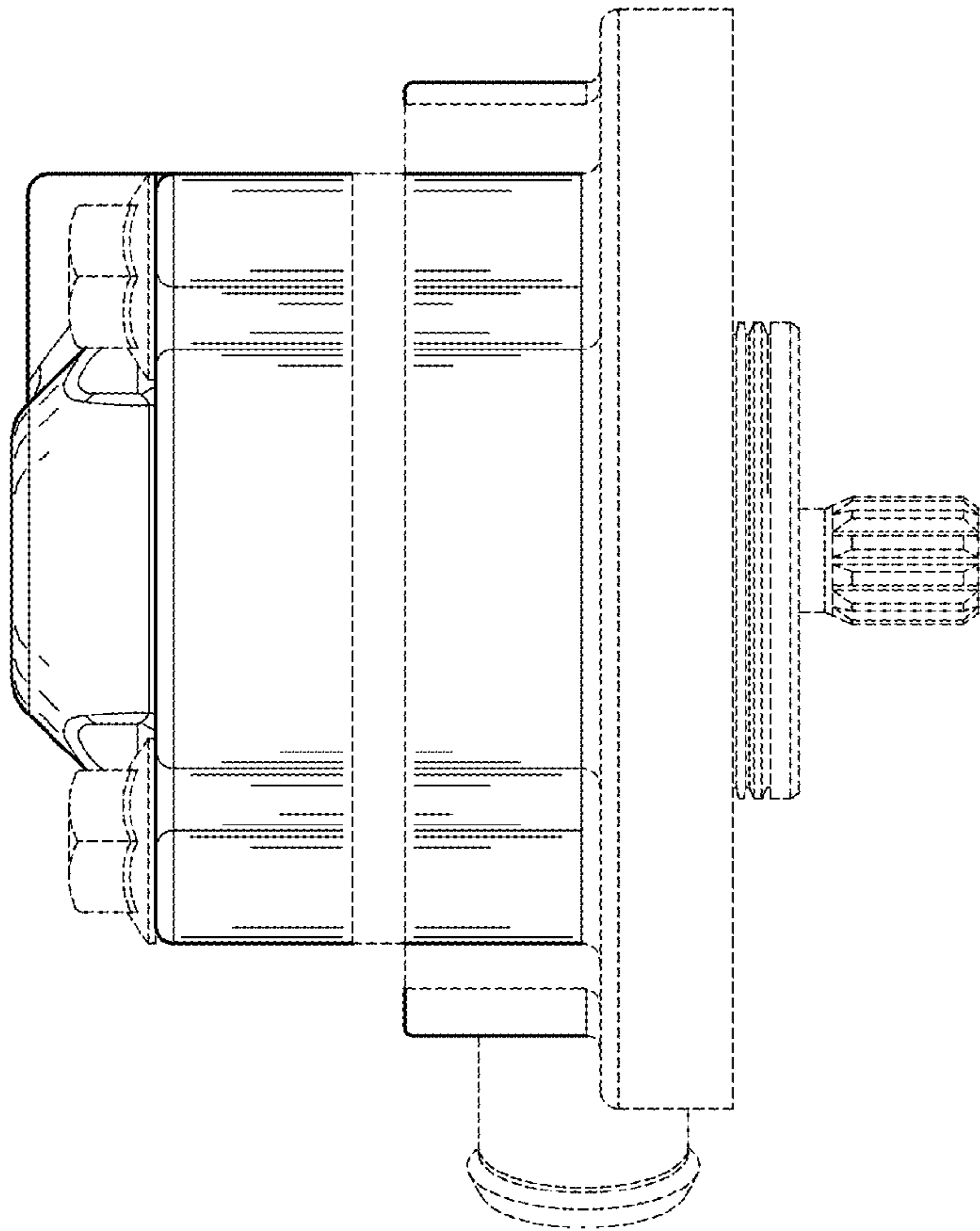


FIG. 4

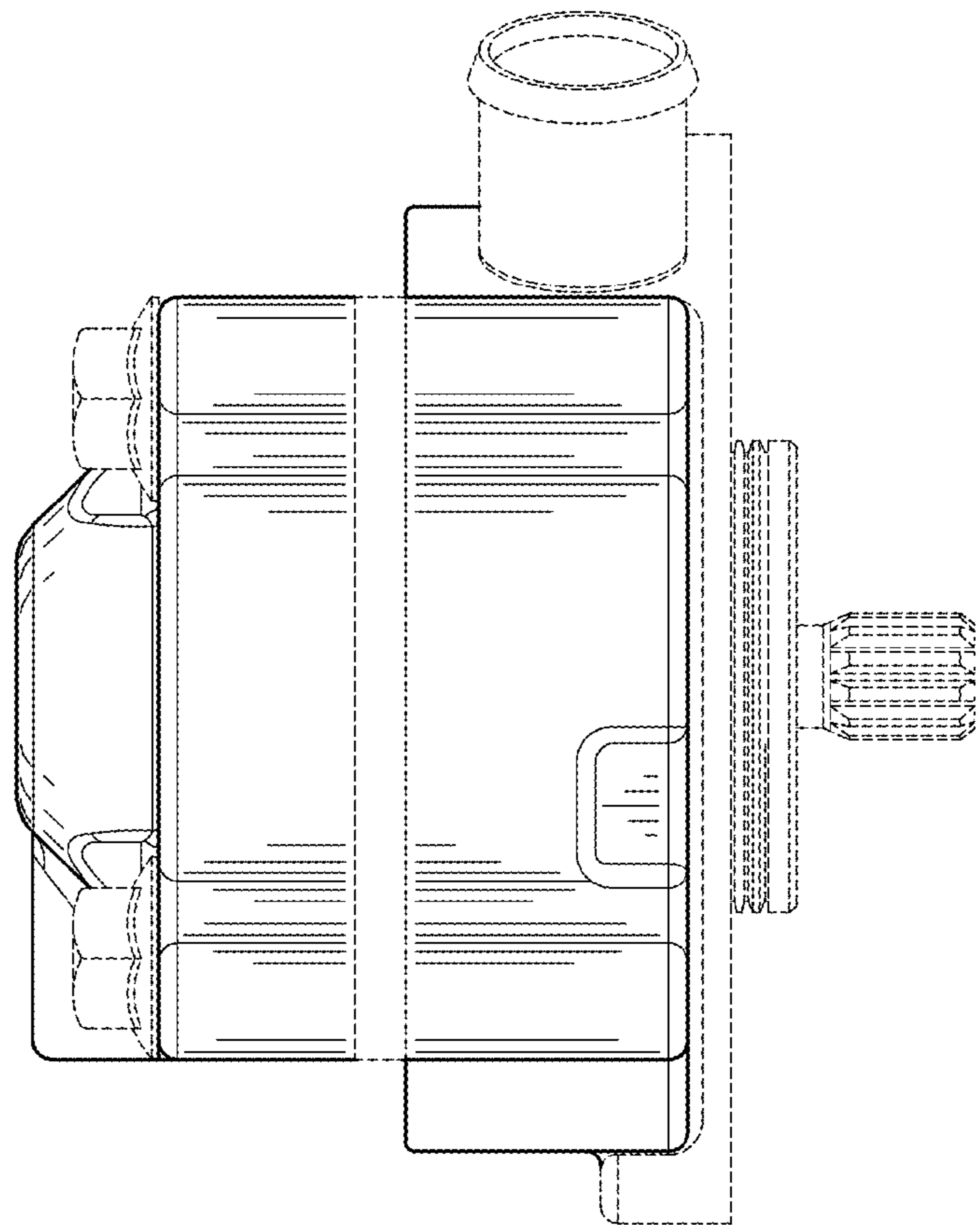


FIG. 5

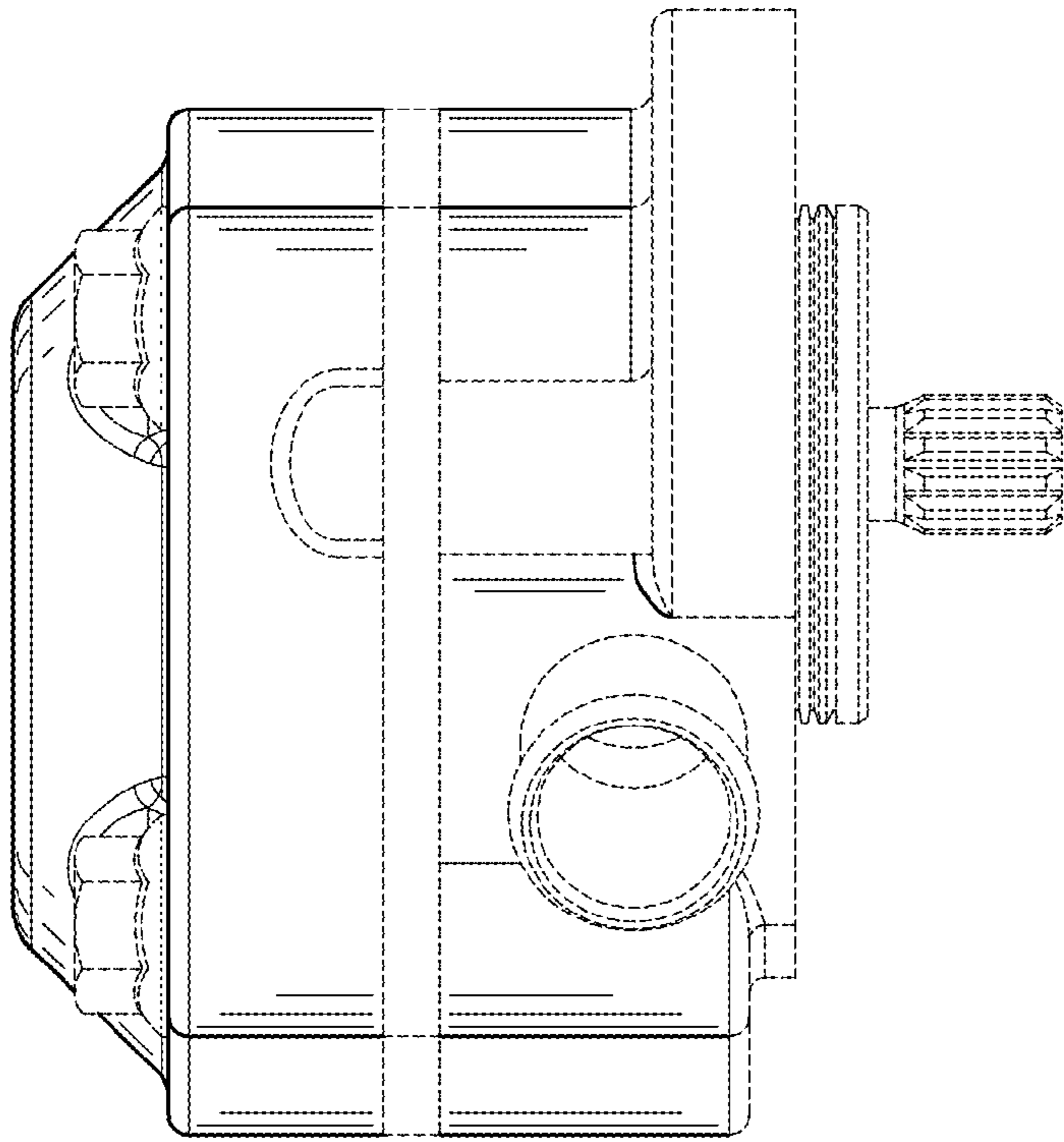


FIG. 6

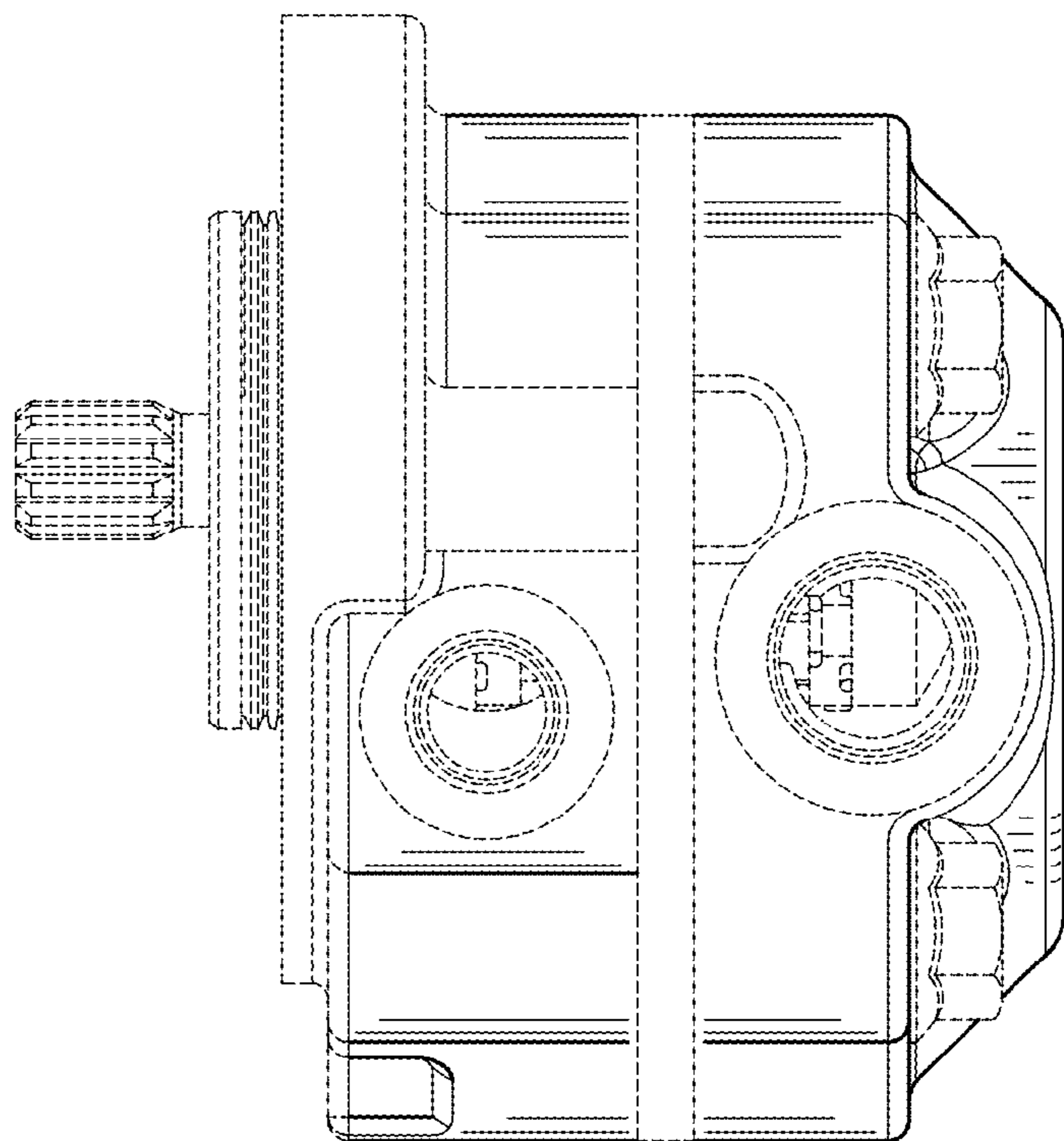


FIG. 7

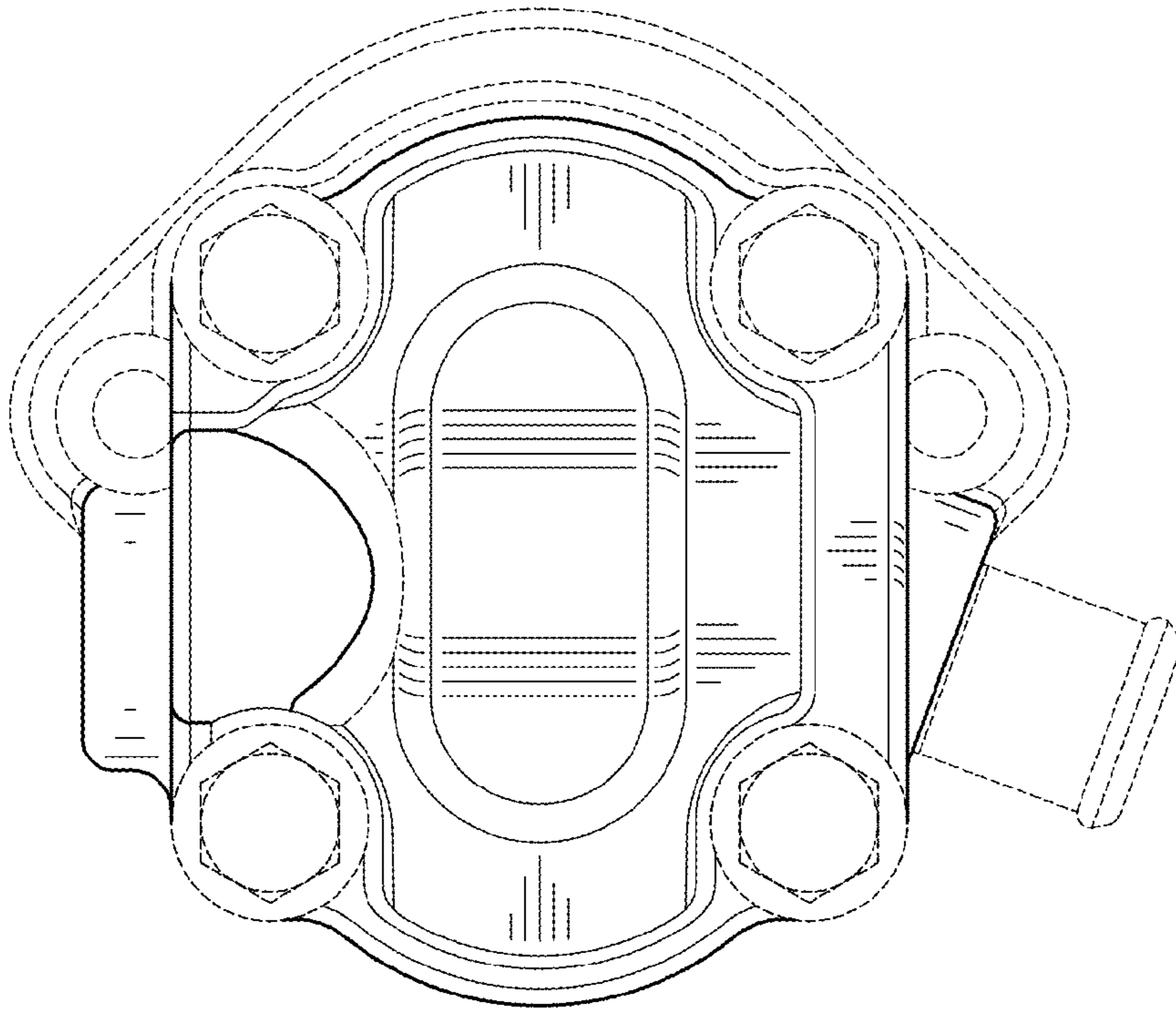


FIG. 8

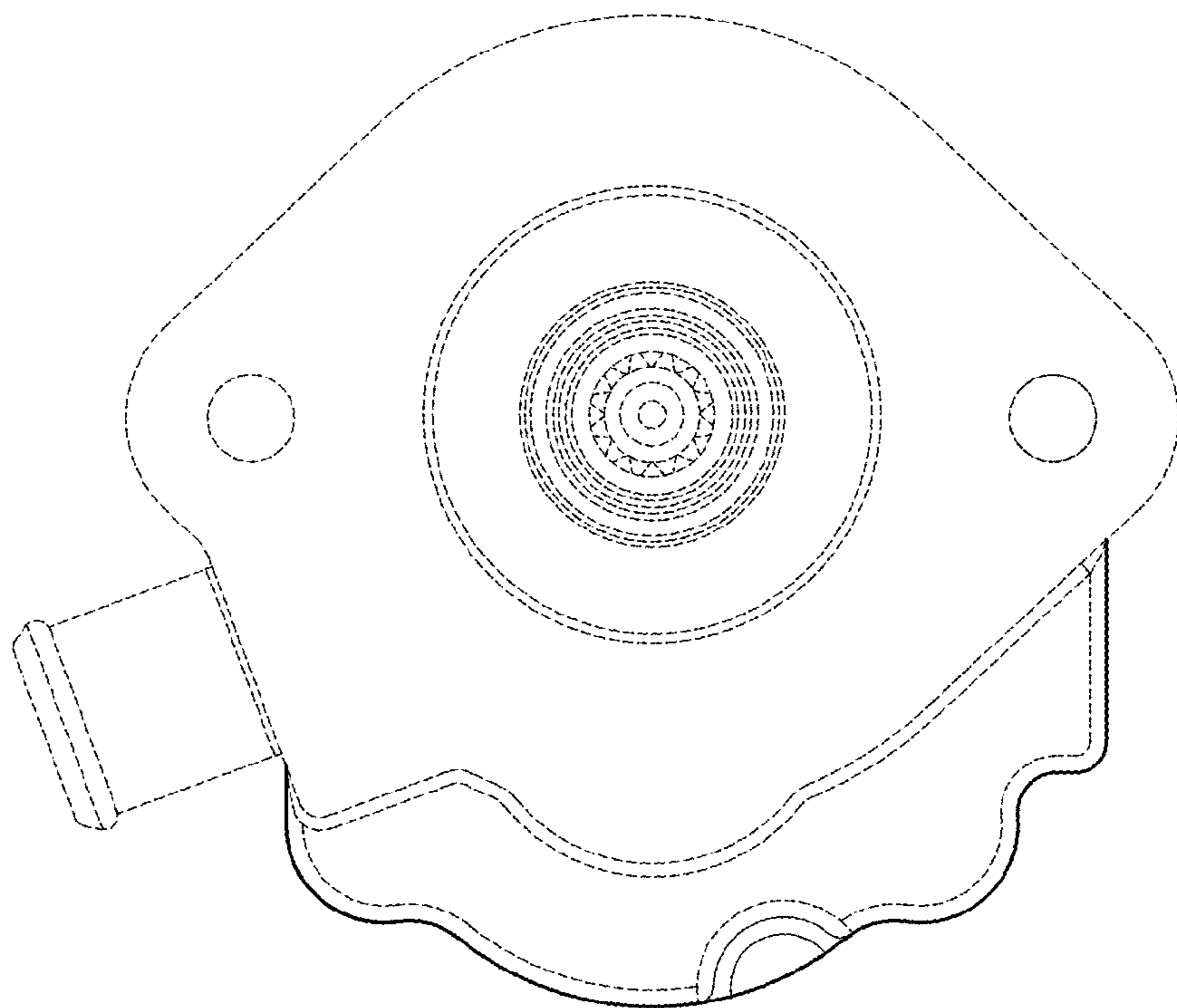


FIG. 9