



US00D936677S

(12) **United States Design Patent** (10) **Patent No.:** **US D936,677 S**  
**Bouchard et al.** (45) **Date of Patent:** **\*\* Nov. 23, 2021**

(54) **DISPLAY SCREEN OR PORTION THEREOF WITH GRAPHICAL USER INTERFACE**

(71) Applicant: **PREMIER TECH TECHNOLOGIES LTÉE**, Rivière-du-Loup (CA)

(72) Inventors: **Mariève Bouchard**, Montréal (CA); **Olivier Patry**, Montréal (CA); **Philippe Jacques**, Montréal (CA); **André Malenfant**, Rivière-du-Loup (CA); **Alexis Michaud**, Hougang (SG)

(73) Assignee: **PREMIER TECH TECHNOLOGIES LTÉE**, Rivière-du-Loup (CA)

(\*\*) Term: **15 Years**

(21) Appl. No.: **29/709,216**

(22) Filed: **Oct. 11, 2019**

(51) **LOC (13) Cl.** ..... **14-04**

(52) **U.S. Cl.**  
USPC ..... **D14/486**

(58) **Field of Classification Search**  
USPC ..... D14/485–495  
CPC ..... G06Q 10/087; G06Q 10/0832; G06Q 10/0833; G06Q 10/083; H04L 67/12; H04L 67/18; H04L 41/0823  
See application file for complete search history.

(56) **References Cited**

**U.S. PATENT DOCUMENTS**

D420,995 S *	2/2000	Imamura	.....	D14/486
D544,495 S *	6/2007	Evans	.....	D14/488
D555,661 S *	11/2007	Kim	.....	D14/486
D568,334 S *	5/2008	Okaro	.....	D14/487
D570,358 S *	6/2008	Anastasopoulos	.....	D14/485
D573,153 S *	7/2008	Roever	.....	D14/488
D618,250 S *	6/2010	Stallings	.....	D14/487
D658,675 S *	5/2012	Gleasant	.....	D14/488
D664,983 S *	8/2012	Moreau	.....	D14/488

D670,726 S *	11/2012	Bitran	.....	D14/487
D689,085 S *	9/2013	Pasceri	.....	D14/486
D703,690 S *	4/2014	MacCubbin	.....	D14/488
D704,730 S *	5/2014	Pearson	.....	D14/488
D709,517 S *	7/2014	Meegan	.....	D14/486
D709,519 S *	7/2014	Meegan	.....	D14/486
D757,776 S *	5/2016	Blank	.....	D14/486
D766,268 S *	9/2016	Katz	.....	G06Q 30/0269 D14/485
D769,271 S *	10/2016	Guesnon, Jr.	.....	D14/486
D784,391 S *	4/2017	Yuguchi	.....	D14/486
D785,021 S *	4/2017	Meegan	.....	D14/486
D791,185 S *	7/2017	Kim	.....	D14/492
D792,424 S *	7/2017	Meegan	.....	D14/485
D797,117 S *	9/2017	Sun	.....	D14/485
D809,530 S *	2/2018	Matheson	.....	D14/485

(Continued)

**OTHER PUBLICATIONS**

Reynolds, Pat. "Next-gen HMI", published Nov. 14, 2016, 21 pages.  
<https://www.packworld.com/home/article/13371641/next-gen-hmi#next-slide>.

(Continued)

*Primary Examiner* — Katherine A Holbrow  
(74) *Attorney, Agent, or Firm* — Dinsmore & Shohl LLP

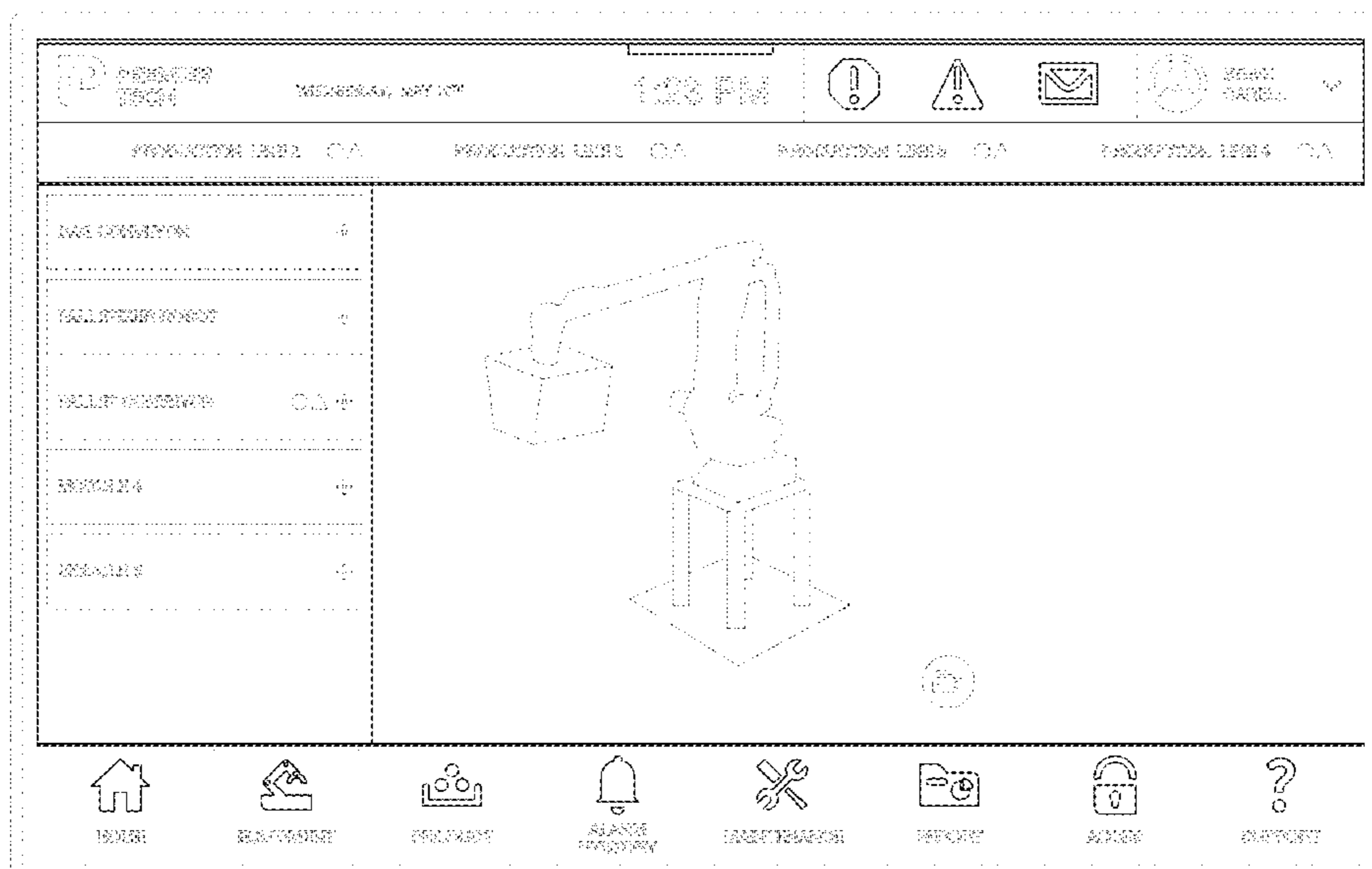
(57) **CLAIM**

The ornamental design for a display screen or portion thereof with graphical user interface, as shown and described.

**DESCRIPTION**

The FIGURE is a front view of a display screen or portion thereof with graphical user interface, according to the new design.  
The outer broken lines showing the display screen or portion thereof, and all other broken lines showing portions of the graphical user interface, form no part of the claimed design.

**1 Claim, 1 Drawing Sheet**



(56)

References Cited

U.S. PATENT DOCUMENTS

D817,995	S *	5/2018	Choi	.....	D14/487
D848,451	S *	5/2019	Baber	.....	D14/485
D853,423	S *	7/2019	Zimmerman	.....	D14/486
D860,237	S *	9/2019	Li	.....	D14/486
D872,121	S *	1/2020	Einspahr	.....	D14/488
D894,205	S *	8/2020	Ogawa	.....	D14/485
D897,370	S *	9/2020	Ueta	.....	D14/492
D898,056	S *	10/2020	Olson	.....	D14/486
2003/0174177	A1 *	9/2003	Tsukuda	.....	G06K 15/022 715/810
2009/0249400	A1 *	10/2009	Carlberg	.....	H04N 21/4882 725/44
2012/0054674	A1 *	3/2012	Beykpour	.....	G06F 3/0481 715/788
2015/0058324	A1 *	2/2015	Kauwe	.....	G06F 16/284 707/722

OTHER PUBLICATIONS

“Next gen HMI is gateway to industry 4.0”, published Oct. 10, 2016, 3 pages. <http://www.packagingnews.com.au/industry-4-0-and-iiot/next-gen-hmi-is-gateway-to-industry-4-0>.  
 Product page for “VISTAFLEX inline flexographic press”, 4 pages. <https://www.directindustry.fr/prod/windmoeller-hoelscher/product-28430-477702.html>.  
 “First results from the E3 research factory”, published Feb. 26, 2015, 4 pages. <https://www.zerspanungstechnik.de/blog/2015/02/26/erste-ergebnisse-der-e%2c2%b3-forschungsfabrik/>.

“Our work: touch screen human machine interface design”, 6 pages. <https://www.keepitusable.com/human-machine-interface>.  
 “Industry 4.0—Concetti launch new data acquisition software”, published Jul. 14, 2017, 3 pages. <https://www.concetti.com/events/124-news/817-industry-4-0-concetti-launch-a-new-data-acquisition-software>.  
 “Perpetual Palletizer Video Monitoring”, 5 pages. <https://www.toptier.com/perpetual-video-monitoring.html>.  
 “Palletising and Packaging Systems at Terrasan”, digital video published by BEUMER Group TV on Jun. 9, 2017. [https://www.youtube.com/watch?v=lqrdtm\\_BAyE](https://www.youtube.com/watch?v=lqrdtm_BAyE).  
 “Beumer Palletizing & Packaging Solutions for Mulch and Soil”, presented by Shambrae Starr on Oct. 6, 2016, 23 pages. Product page for NewTech Industrial Solutions, including MT8150XE, 3 pages. <http://www.newtech.pk/weintek-hmi.html>.  
 Kristensen, Alice Holm. “Lachenmeier introduces trend-setting visualisation in pallet packaging HMI with new ICPA interface panel”, published Aug. 13, 2015, 4 pages. <https://lachenmeier.com/general-news/new-icpa-interface-panel>.  
 “Intelligent Communication in Packaging”, 4 pages, <https://lachenmeier.com/wrapping-machines/hmi-interface>.  
 “Krones Connected HMI—a new generation of machine visualization”, digital video published by Krones AG on Jul. 4, 2018 at <https://www.youtube.com/watch?v=Z-K4UBOfhg>.  
 “Krones Connected HMI—Clean Design” digital video published by Krones AG on Jul. 4, 2018 at [https://www.youtube.com/watch?v=sKHoejm-a\\_A](https://www.youtube.com/watch?v=sKHoejm-a_A).

\* cited by examiner

