



US00D936662S

(12) **United States Design Patent** (10) **Patent No.:** **US D936,662 S**
Gao (45) **Date of Patent:** **** Nov. 23, 2021**

(54) **LAPTOP STAND**
(71) Applicant: **Chao Gao**, Shenzhen (CN)
(72) Inventor: **Chao Gao**, Shenzhen (CN)
(**) Term: **15 Years**
(21) Appl. No.: **29/773,684**
(22) Filed: **Mar. 11, 2021**
(51) **LOC (13) Cl.** **08-07**
(52) **U.S. Cl.**
USPC **D14/447**
(58) **Field of Classification Search**
USPC D14/447
CPC F16M 11/26
See application file for complete search history.

D925,545 S * 7/2021 Chen D14/447
D930,641 S * 9/2021 Zhou D14/253
2011/0147547 A1* 6/2011 Fitzpatrick F16M 11/10
248/157

* cited by examiner

Primary Examiner — Charles D Hanson
(74) *Attorney, Agent, or Firm* — Shengmao Mu;
Whitewood Law PLLC

(57) **CLAIM**

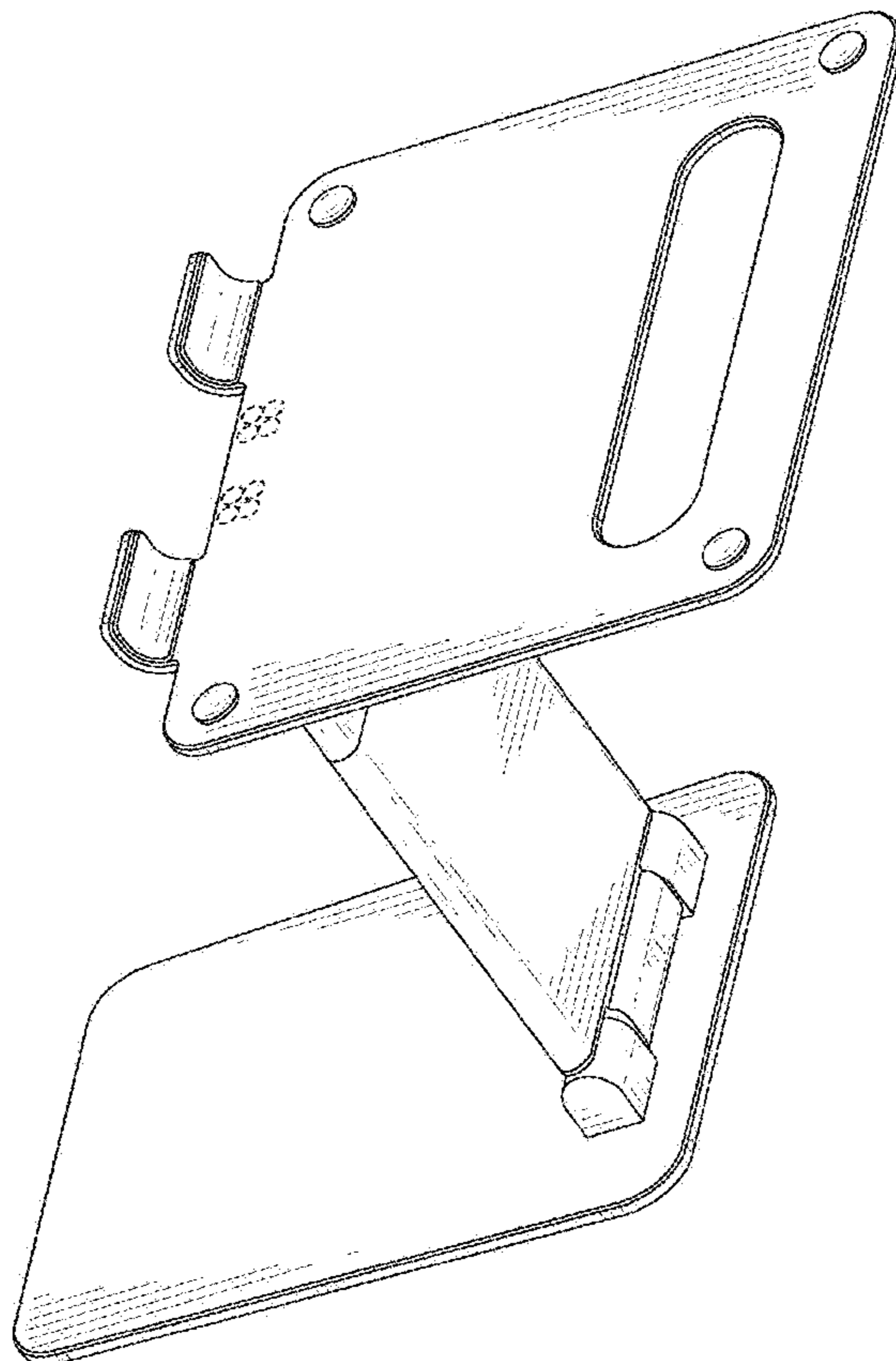
The ornamental design for a laptop stand, as shown and described.

DESCRIPTION

FIG. 1 is a perspective view of a laptop stand showing my new design;
FIG. 2 is a front view thereof;
FIG. 3 is a back view thereof;
FIG. 4 is a left side view thereof;
FIG. 5 is a right side view thereof;
FIG. 6 is a top view thereof;
FIG. 7 is a bottom view thereof; and,
FIG. 8 is a perspective view of another state of the laptop stand thereof.
The broken lines shown in the drawings depict portions of the laptop stand in which the design is embodied that form no part of the claimed design.

(56) **References Cited**
U.S. PATENT DOCUMENTS
D638,638 S * 5/2011 Fitzpatrick D6/656.11
D804,490 S * 12/2017 Wei D14/447
D825,573 S * 8/2018 Belitz D14/447
D829,216 S 9/2018 Belitz et al.
D898,748 S 10/2020 Ma
D903,688 S 12/2020 Hong
D907,628 S * 1/2021 Feng D14/253
D907,644 S * 1/2021 Li D14/447
D920,338 S * 5/2021 Chen D14/447
D923,631 S * 6/2021 Chen D14/447
D923,632 S * 6/2021 Li D14/447

1 Claim, 8 Drawing Sheets



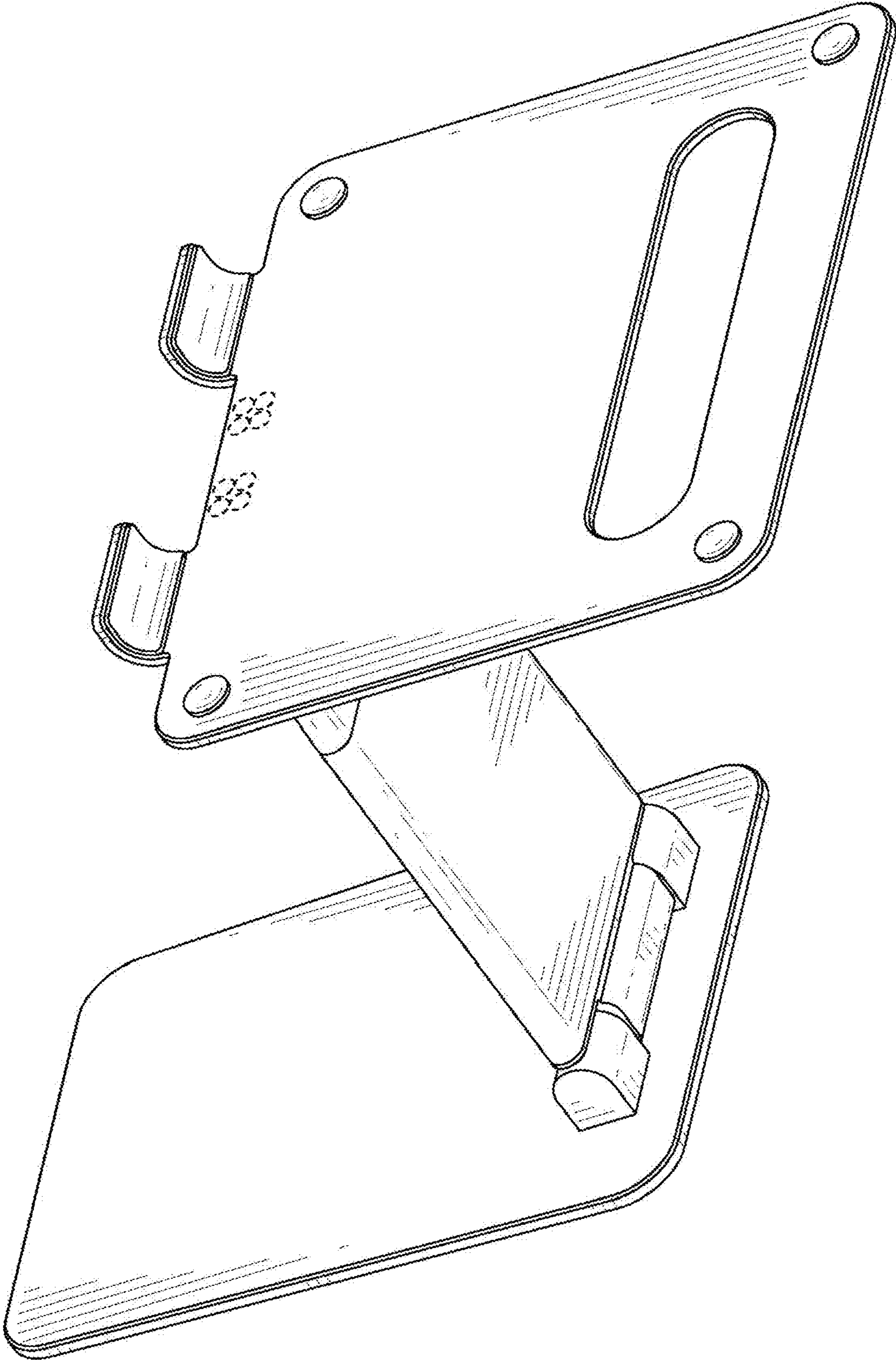


FIG.1

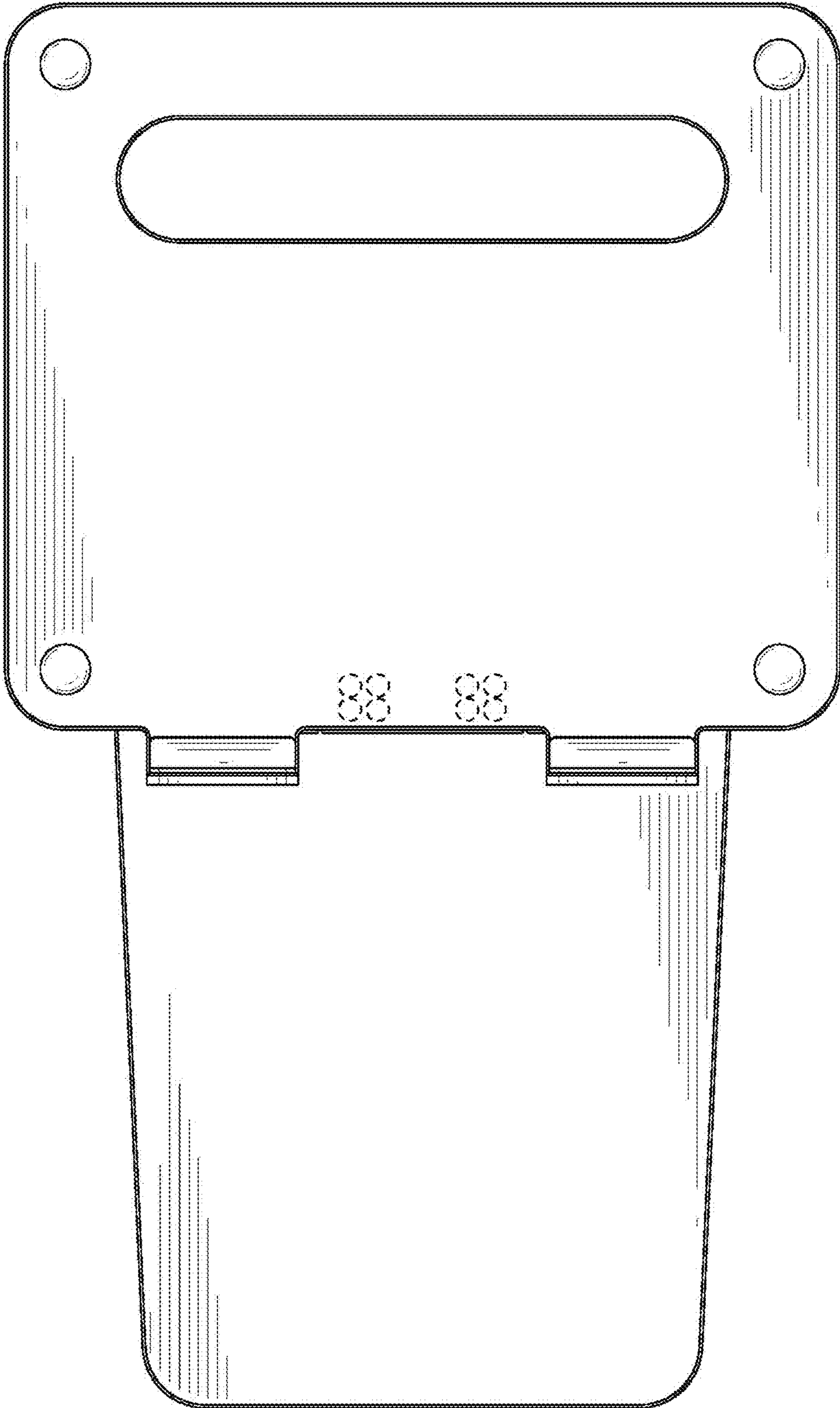


FIG.2

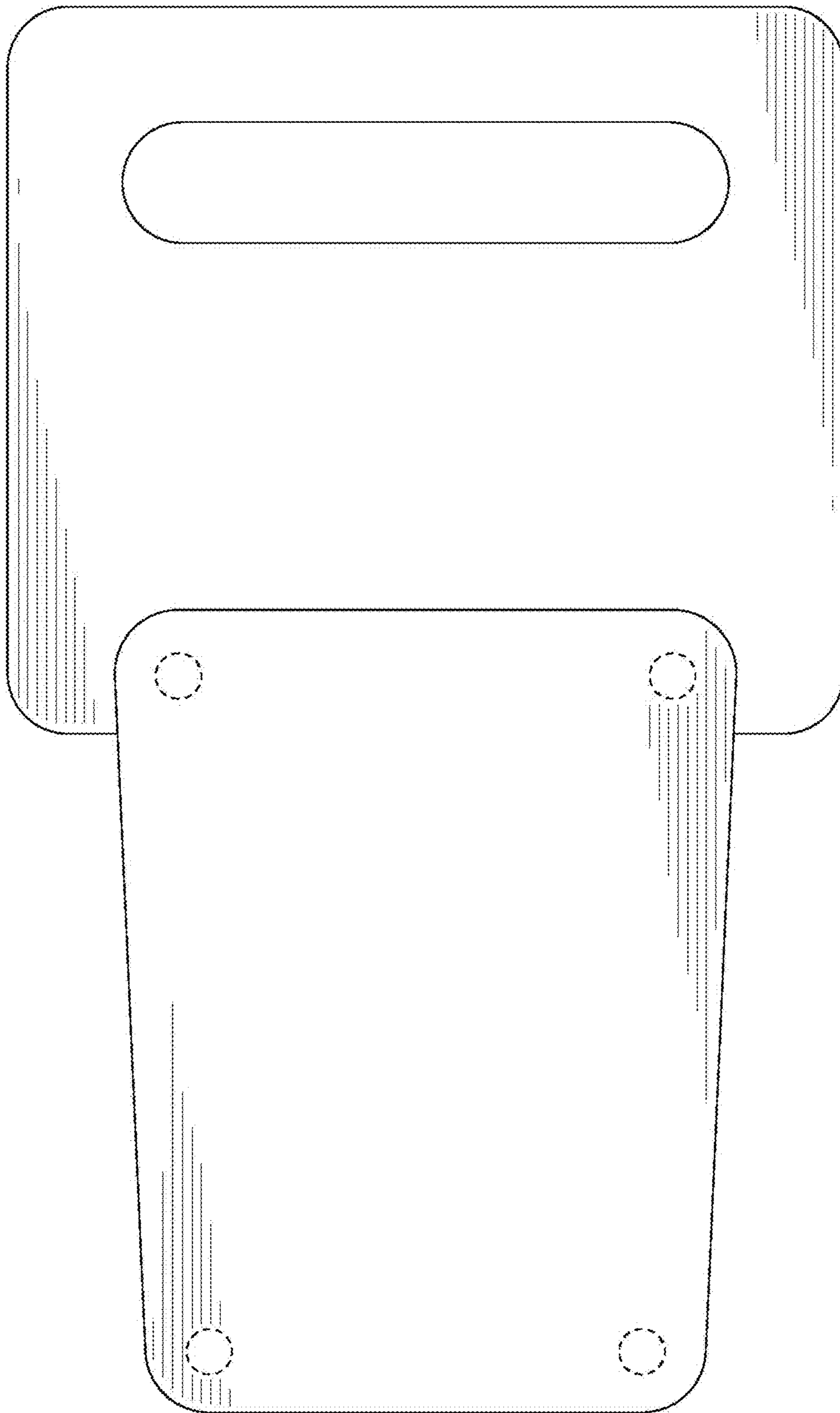


FIG.3

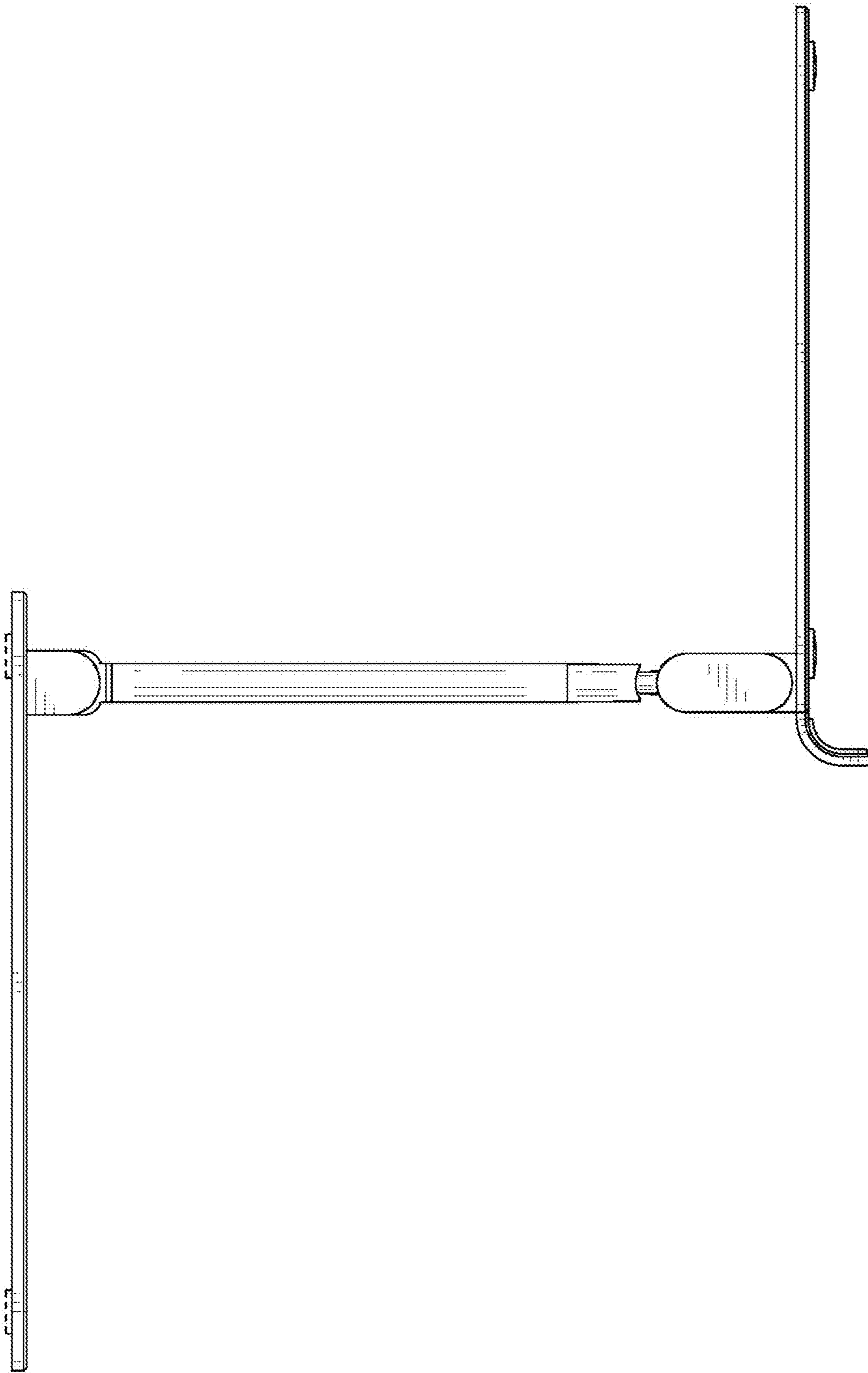


FIG.4

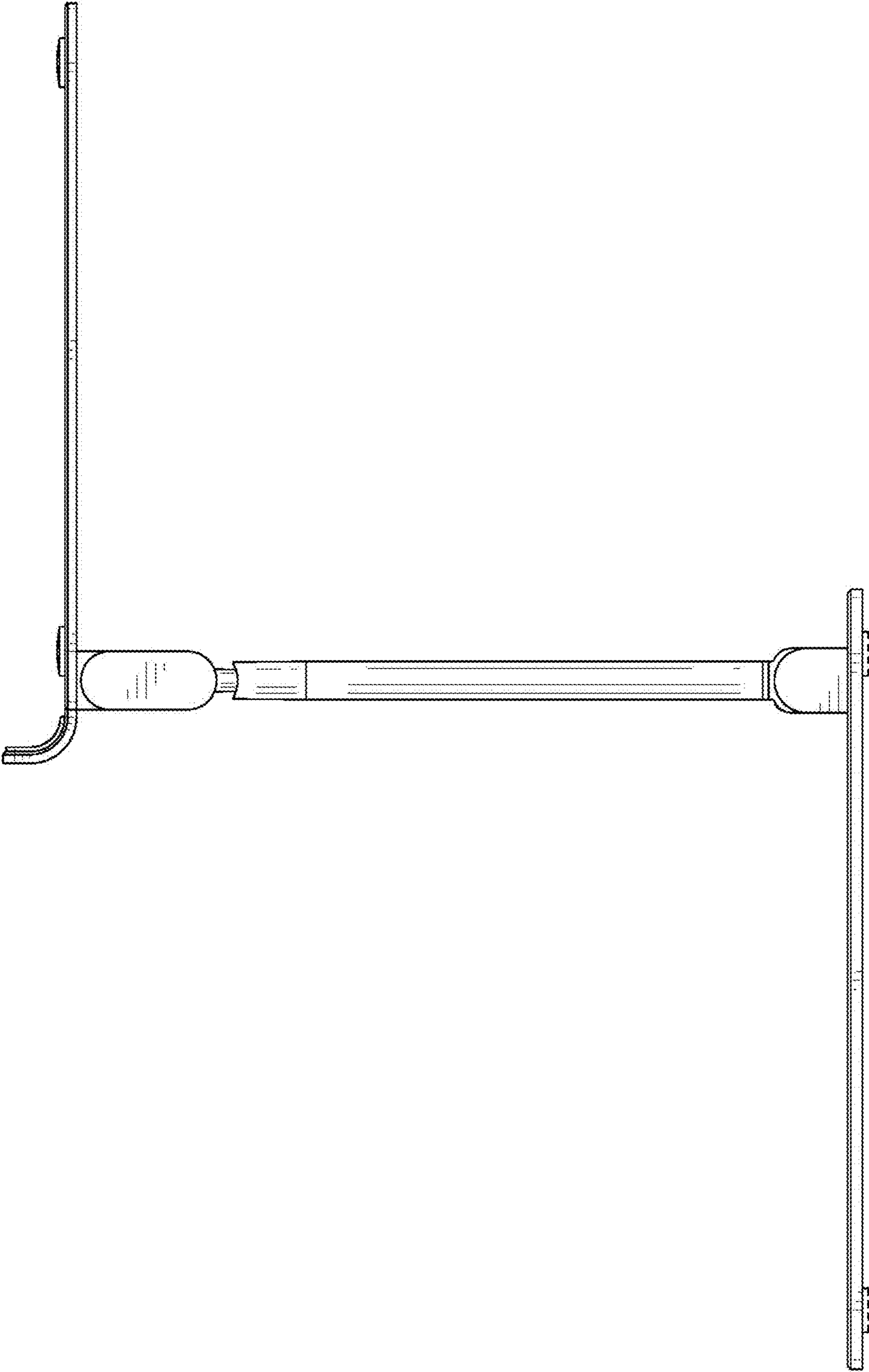


FIG.5

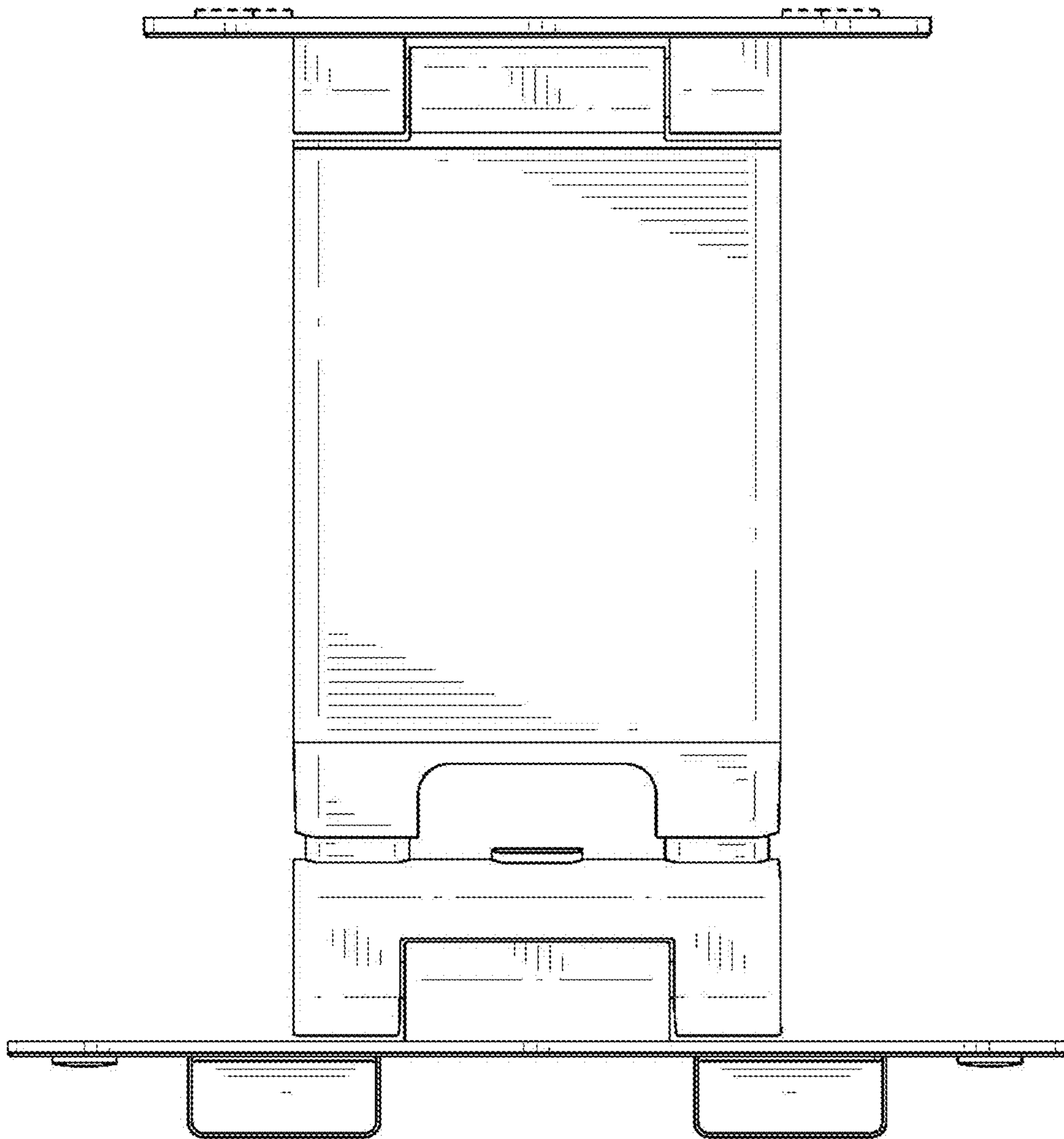


FIG.6

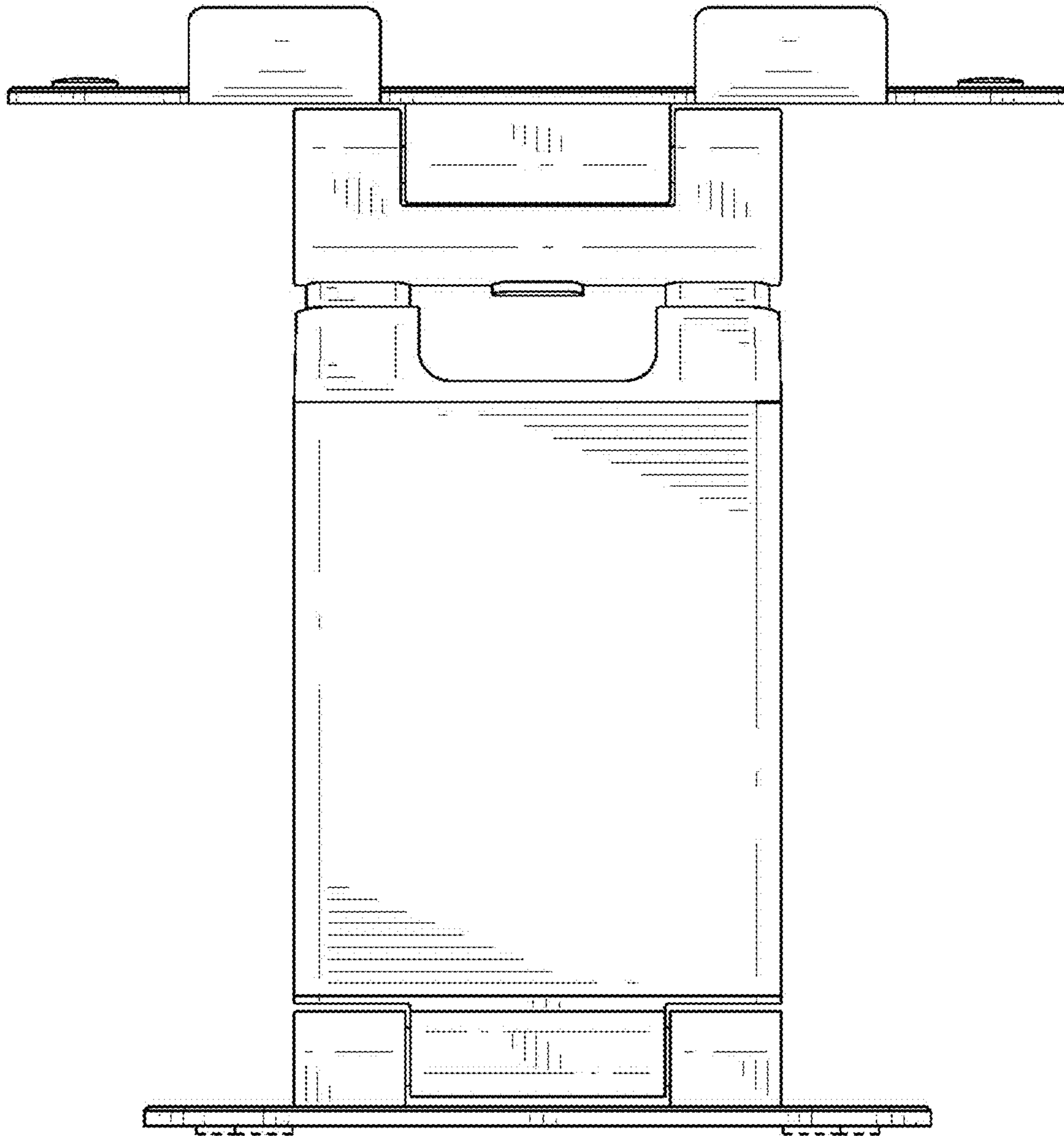


FIG.7

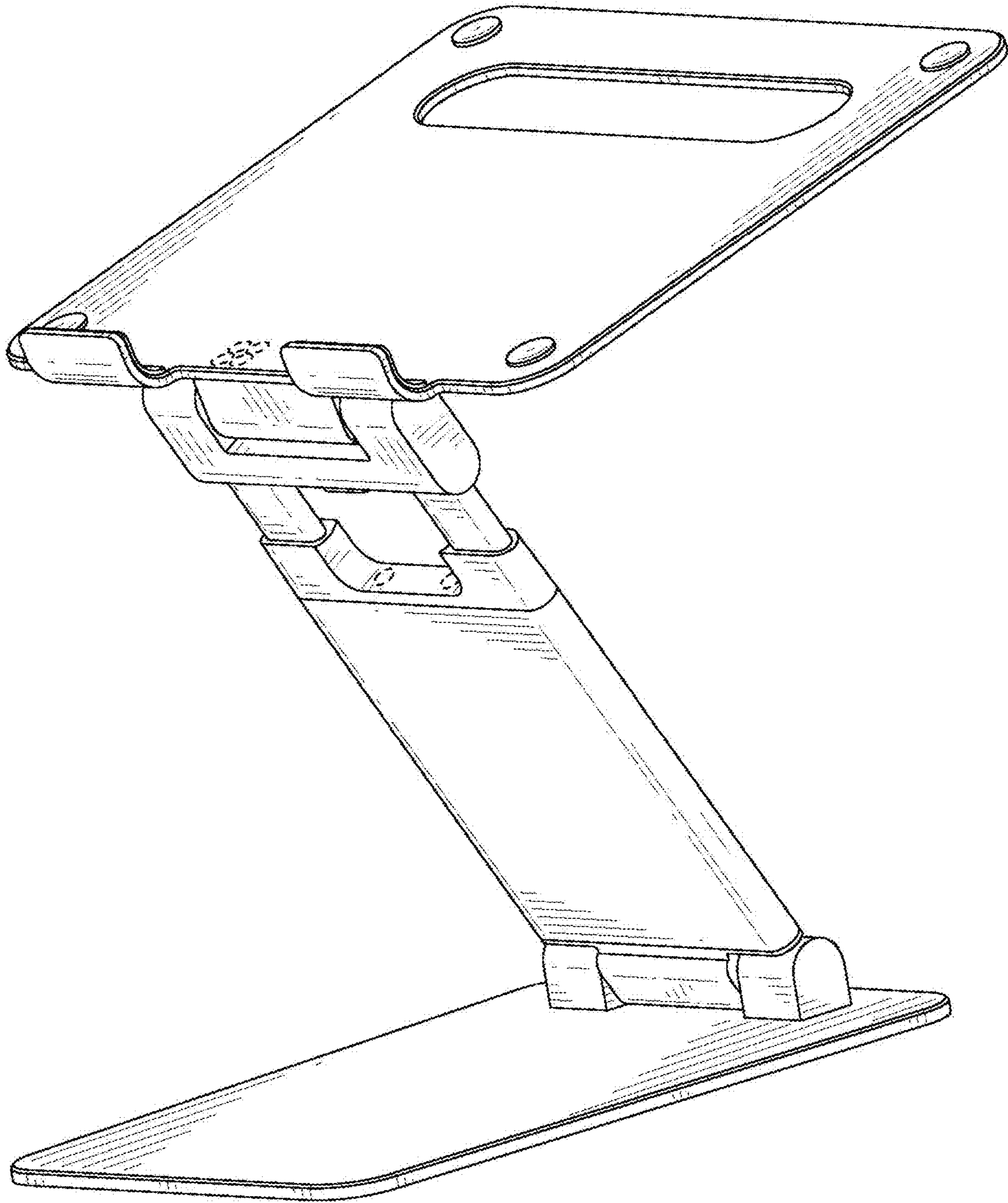


FIG.8