

US00D936661S

(12) **United States Design Patent** (10) **Patent No.:** **US D936,661 S**
Lee (45) **Date of Patent:** **** Nov. 23, 2021**

(54) **STAND FOR ELECTRONIC DEVICE**
(71) Applicant: **ELAGO COMPANY CO., LTD.,**
Goyang-si (KR)
(72) Inventor: **Chanwoo Lee,** Goyang-si (KR)
(73) Assignee: **ELAGO COMPANY CO., LTD.,**
Goyang-si (KR)

D856,289 S * 8/2019 Bould D13/168
D861,003 S * 9/2019 Vogel D14/447
D868,770 S 12/2019 Hohman et al.
D875,675 S 2/2020 Zhang et al.
D884,619 S 5/2020 Liao
D896,808 S 9/2020 Koh
D901,380 S 11/2020 Tsai et al.
(Continued)

(**) Term: **15 Years**
(21) Appl. No.: **29/759,615**

FOREIGN PATENT DOCUMENTS
CN 303749414 7/2016
CN 304834422 9/2018
CN 304886975 11/2018
(Continued)

(22) Filed: **Nov. 24, 2020**
(51) **LOC (13) Cl.** **08-07**
(52) **U.S. Cl.**
USPC **D14/447**
(58) **Field of Classification Search**
USPC D14/447, 432, 434, 439, 440, 451, 452,
D14/457, 239, 253; D8/363, 373, 380;
D6/406.3, 406.4, 406.5, 406.6; D12/415;
D13/108
CPC A47B 21/04; A47B 2097/006; A47B
2097/005; A47B 2023/049; A45C
2011/002; A45C 2011/003; F16M
2200/00; F16M 13/00
See application file for complete search history.

Primary Examiner — Angela J Lee
(74) *Attorney, Agent, or Firm* — Paratus Law Group,
PLLC

(56) **References Cited**

U.S. PATENT DOCUMENTS

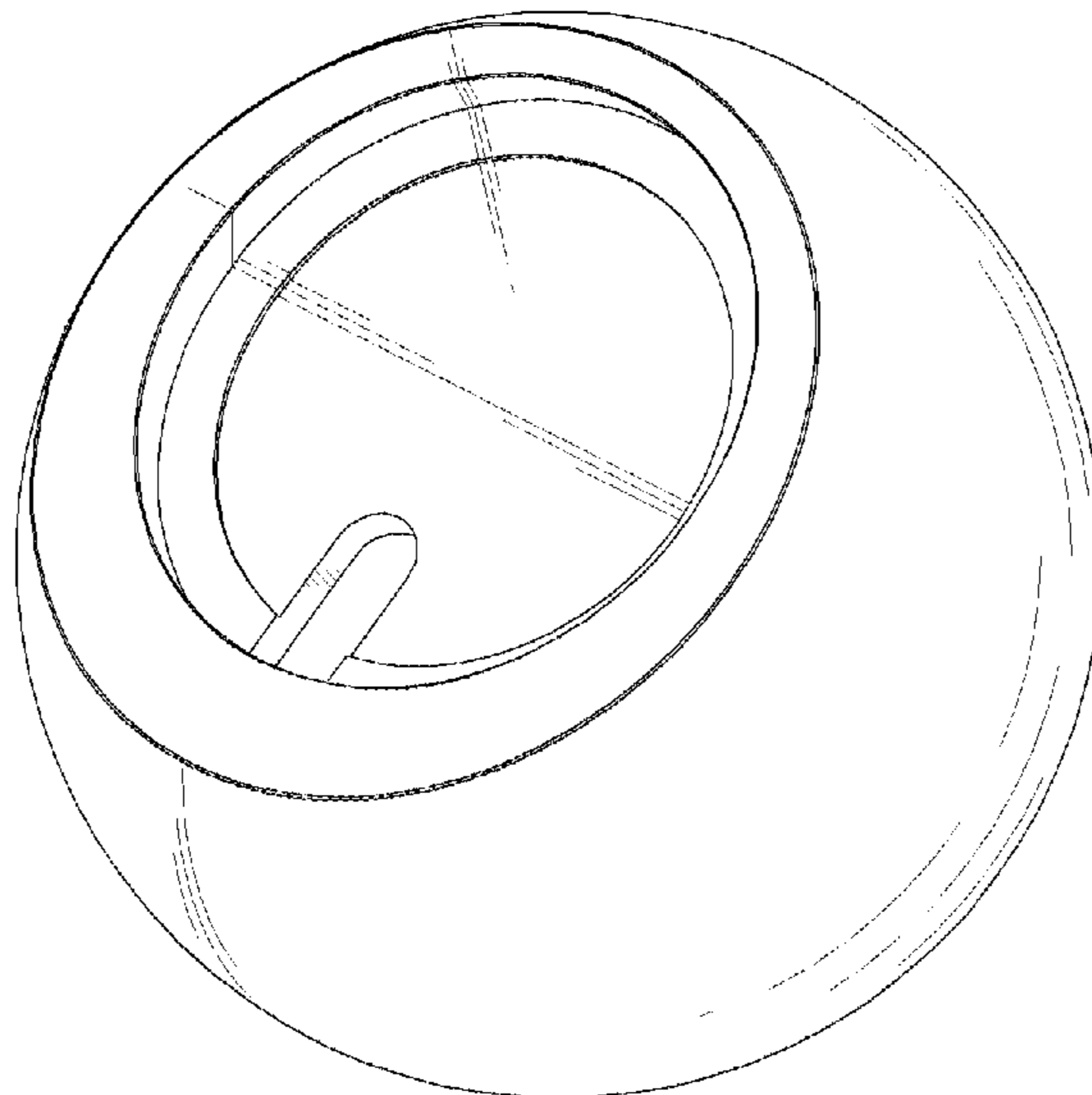
D607,458 S * 1/2010 Hui D14/434
D621,347 S 8/2010 Aulwes et al.
D640,248 S 6/2011 Baumann et al.
D693,814 S 11/2013 Park
D701,831 S 4/2014 Park et al.
D734,746 S * 7/2015 Vogel D14/253
9,343,837 B2 5/2016 Moon
D781,274 S 3/2017 Kim et al.
D817,935 S * 5/2018 Zukowski D14/228
D832,859 S * 11/2018 Charlesworth D14/451
D844,009 S 3/2019 Kim et al.

(57) **CLAIM**
The ornamental design for a stand for electronic device, as shown and described.

DESCRIPTION

FIG. 1 is a front, top, and right sides perspective view of a stand for electronic device, showing my new design;
FIG. 2 is a front view thereof;
FIG. 3 is a back view thereof;
FIG. 4 is a left side view thereof;
FIG. 5 is a right side view thereof;
FIG. 6 is a top view thereof;
FIG. 7 is a bottom view thereof; and,
FIG. 8 is a back, bottom, and left sides perspective view thereof.
The broken lines shown in FIG. 6 depict interior parts of the stand for electronic device, which form no part of the claimed design. The interior parts of the stand for electronic device, seen through openings in the drawings, form no part of the claimed design.

1 Claim, 6 Drawing Sheets



(56)

References Cited

U.S. PATENT DOCUMENTS

D904,326 S * 12/2020 Zhang D13/183
D917,497 S * 4/2021 Lee D14/447

FOREIGN PATENT DOCUMENTS

CN 304992331 1/2019
CN 305507367 12/2019

* cited by examiner

FIG. 1

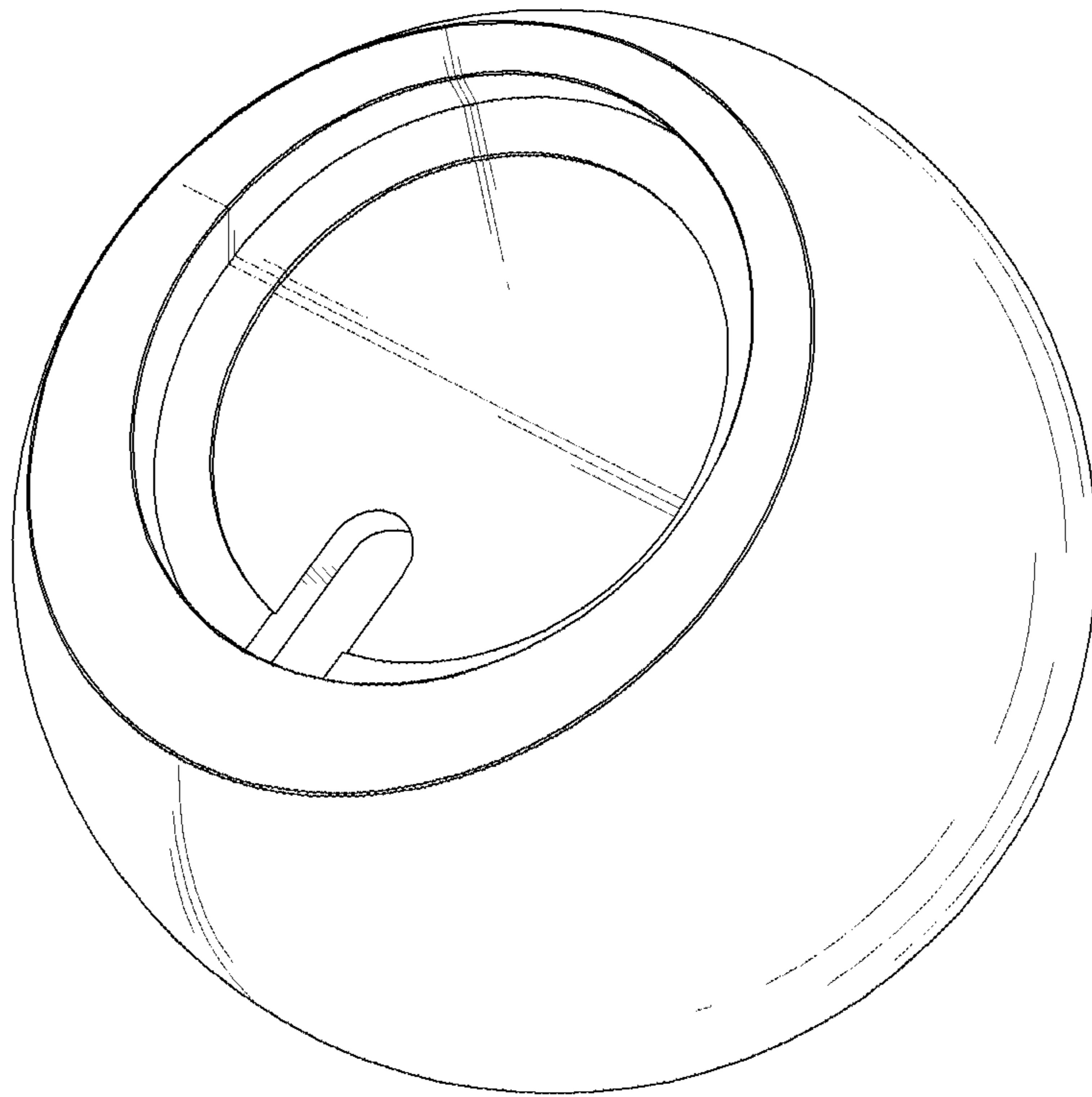


FIG. 2

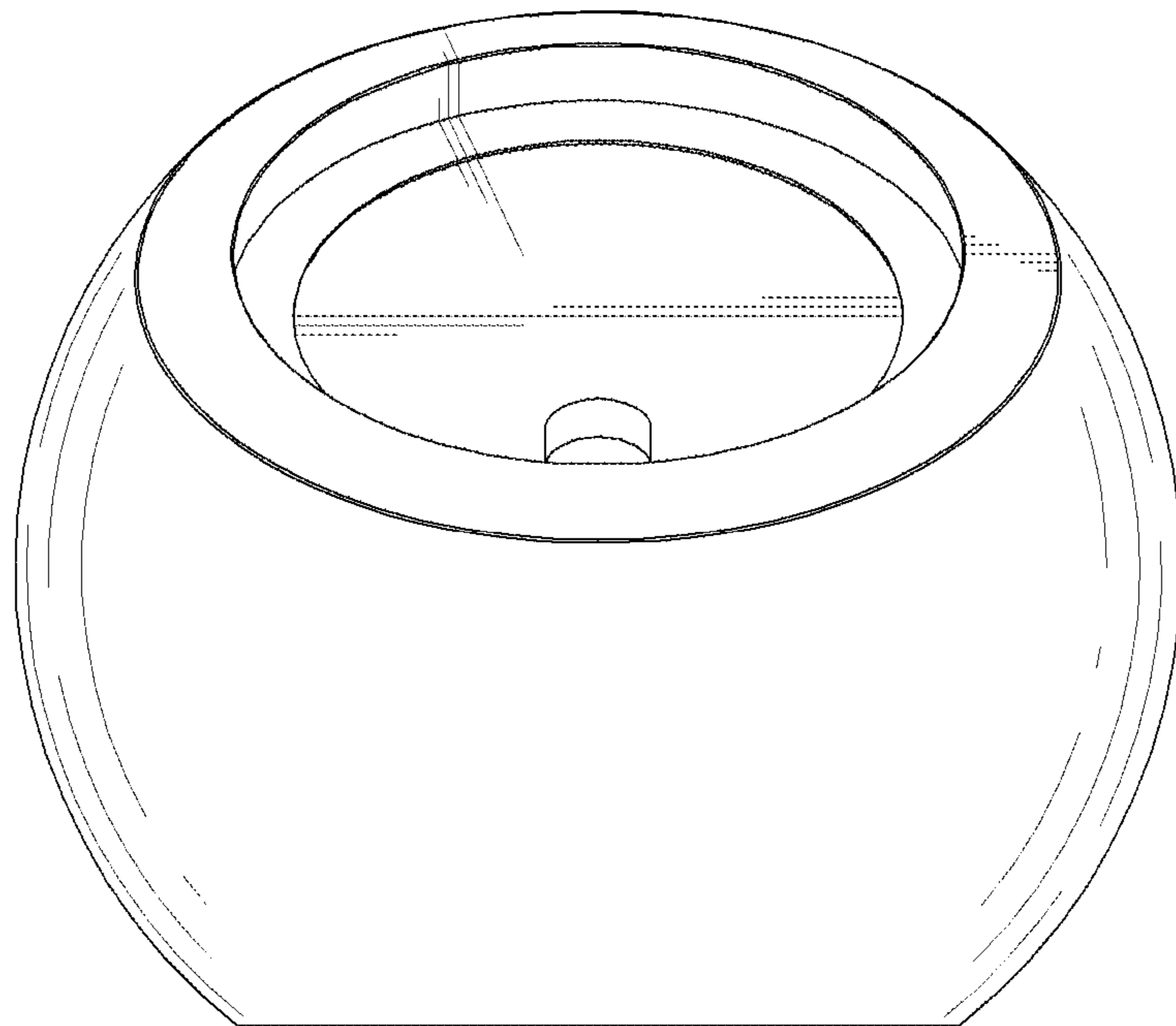


FIG. 3

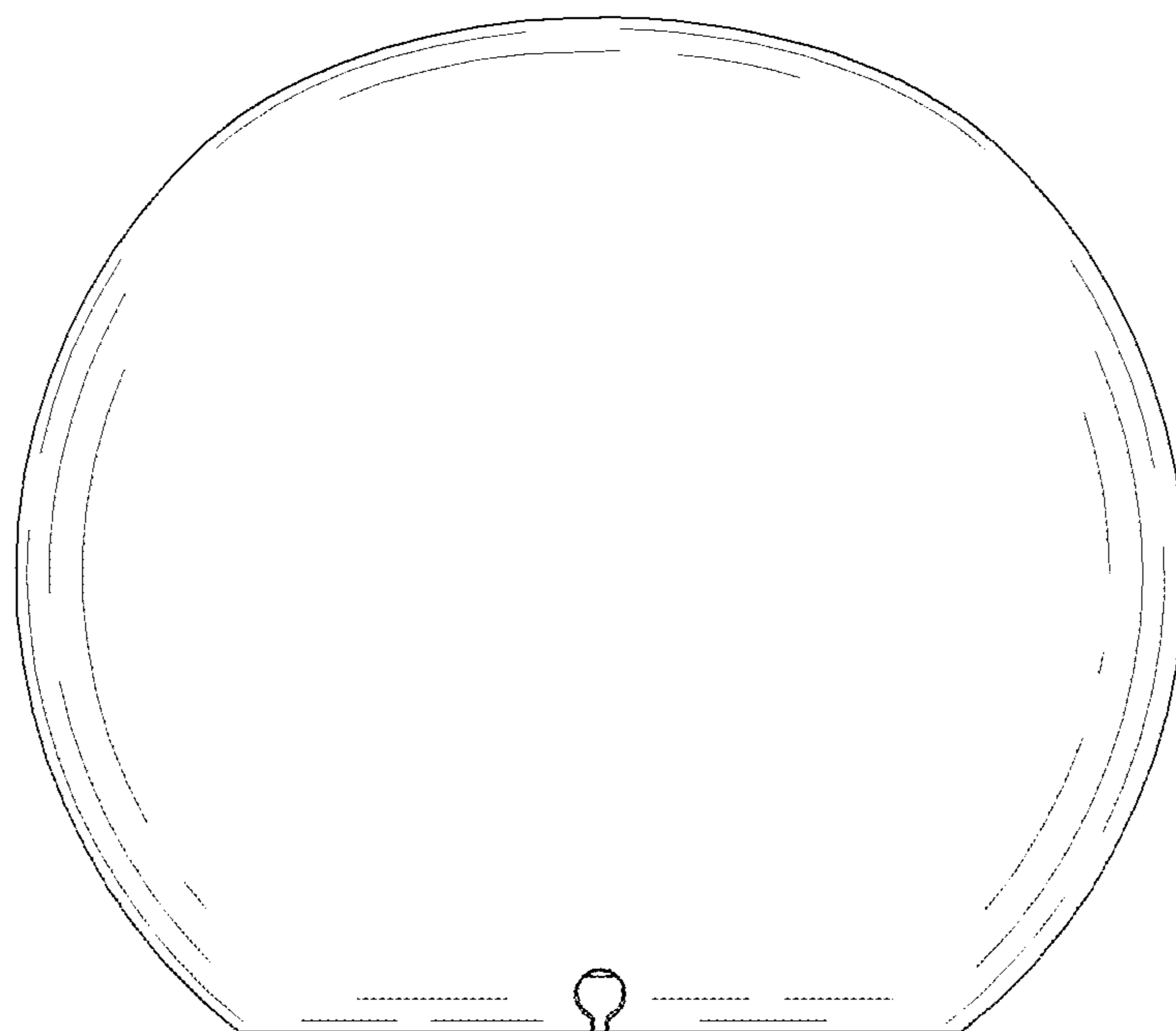


FIG. 4

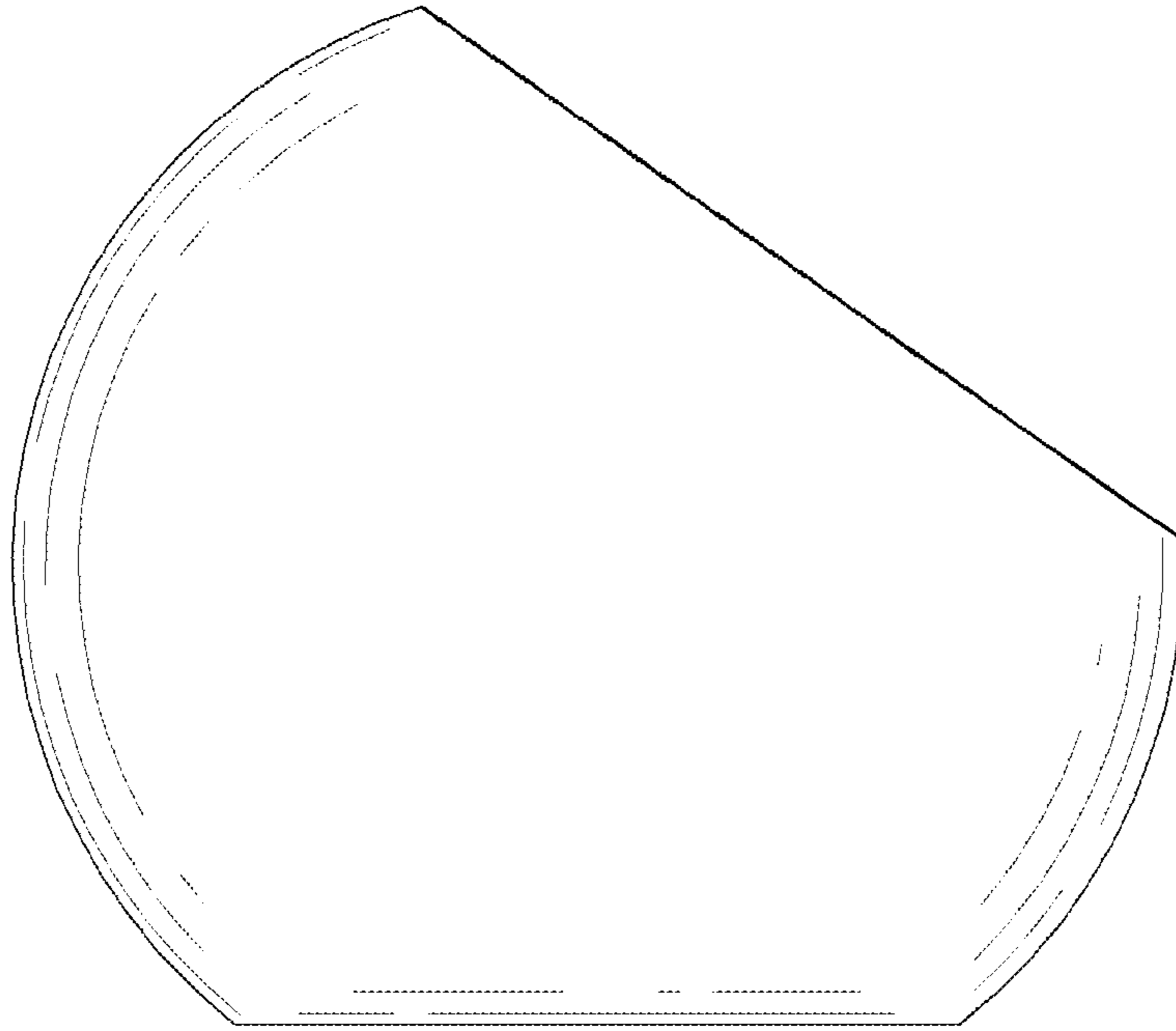


FIG. 5

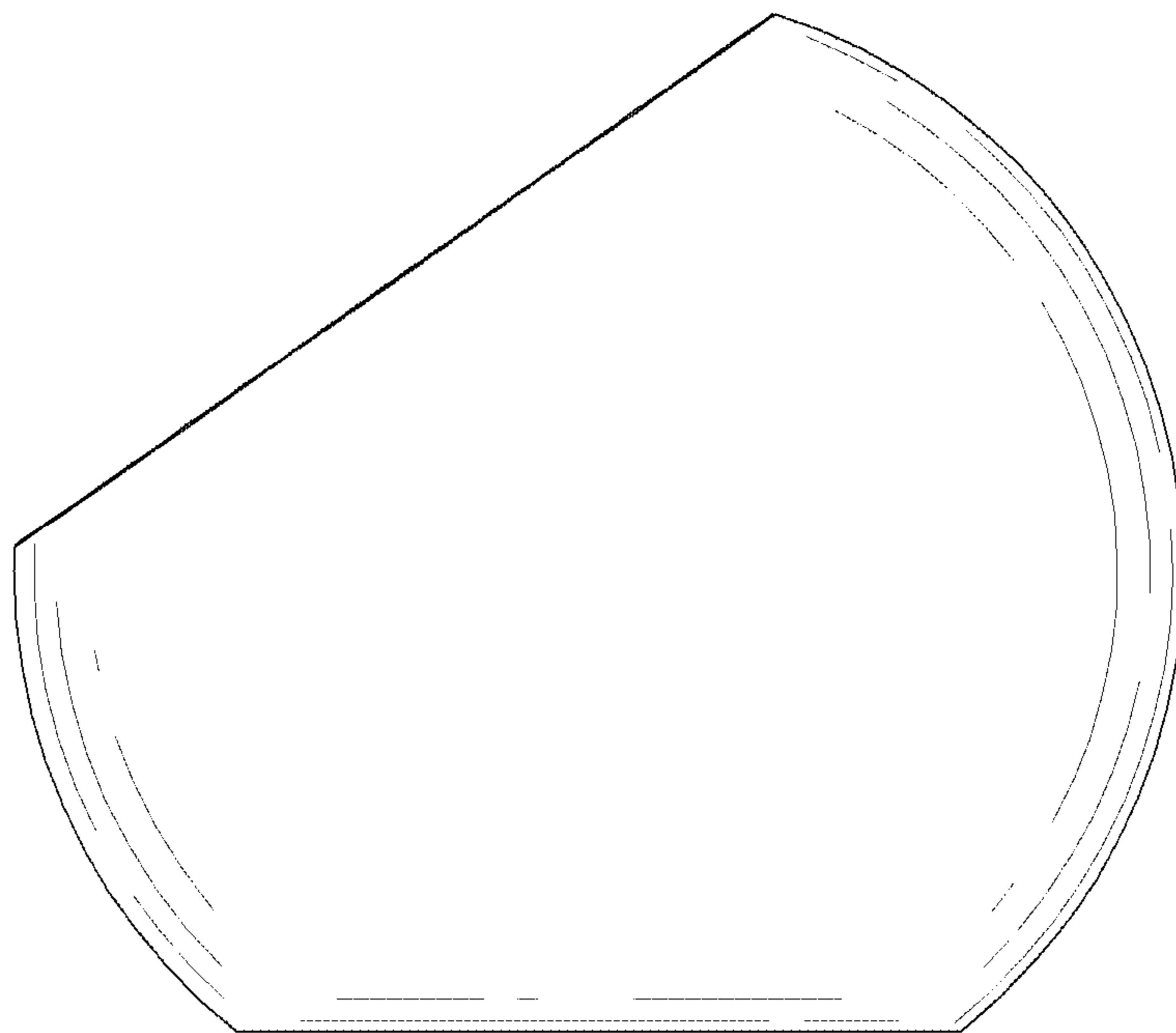


FIG. 6

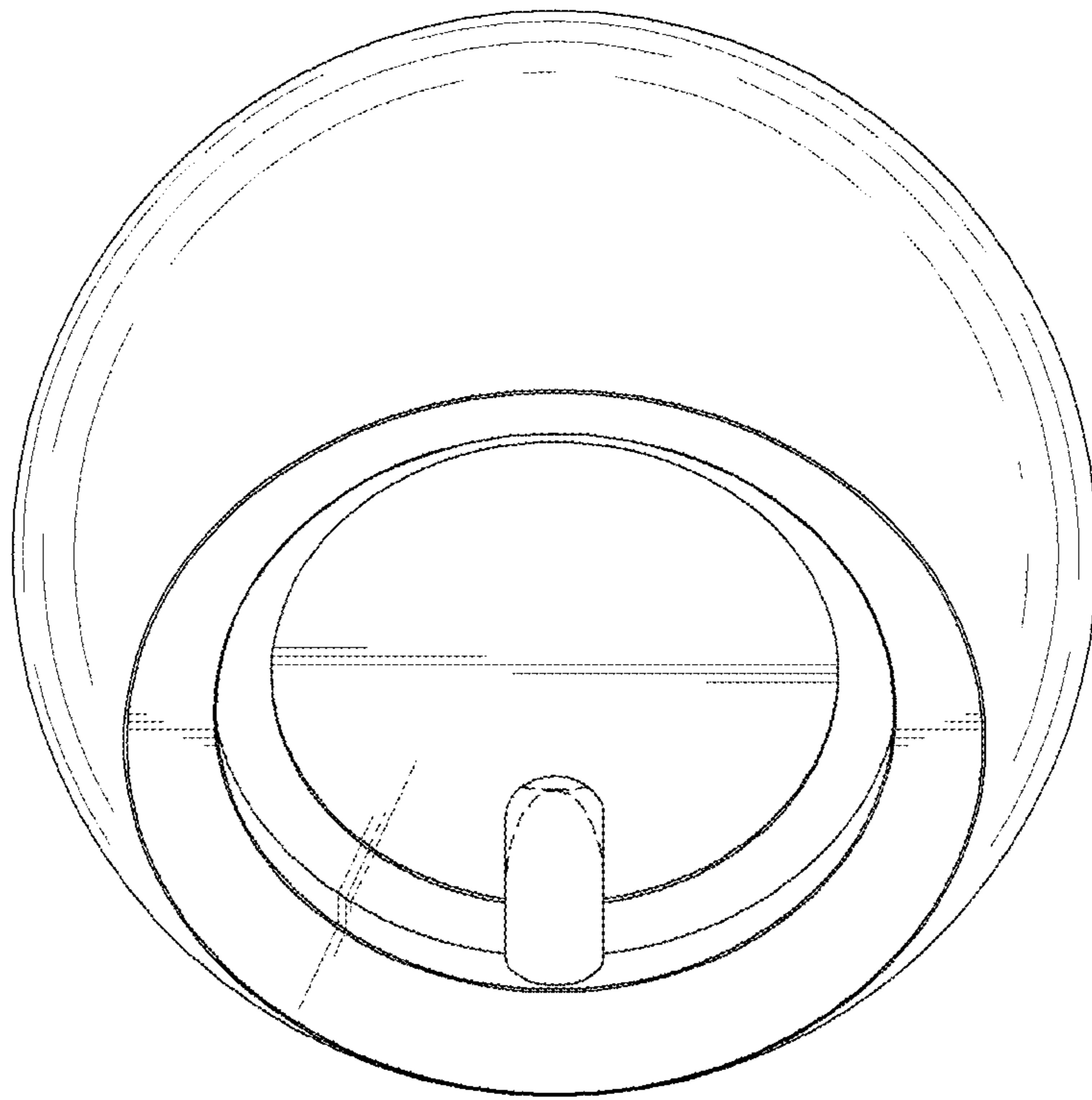


FIG. 7

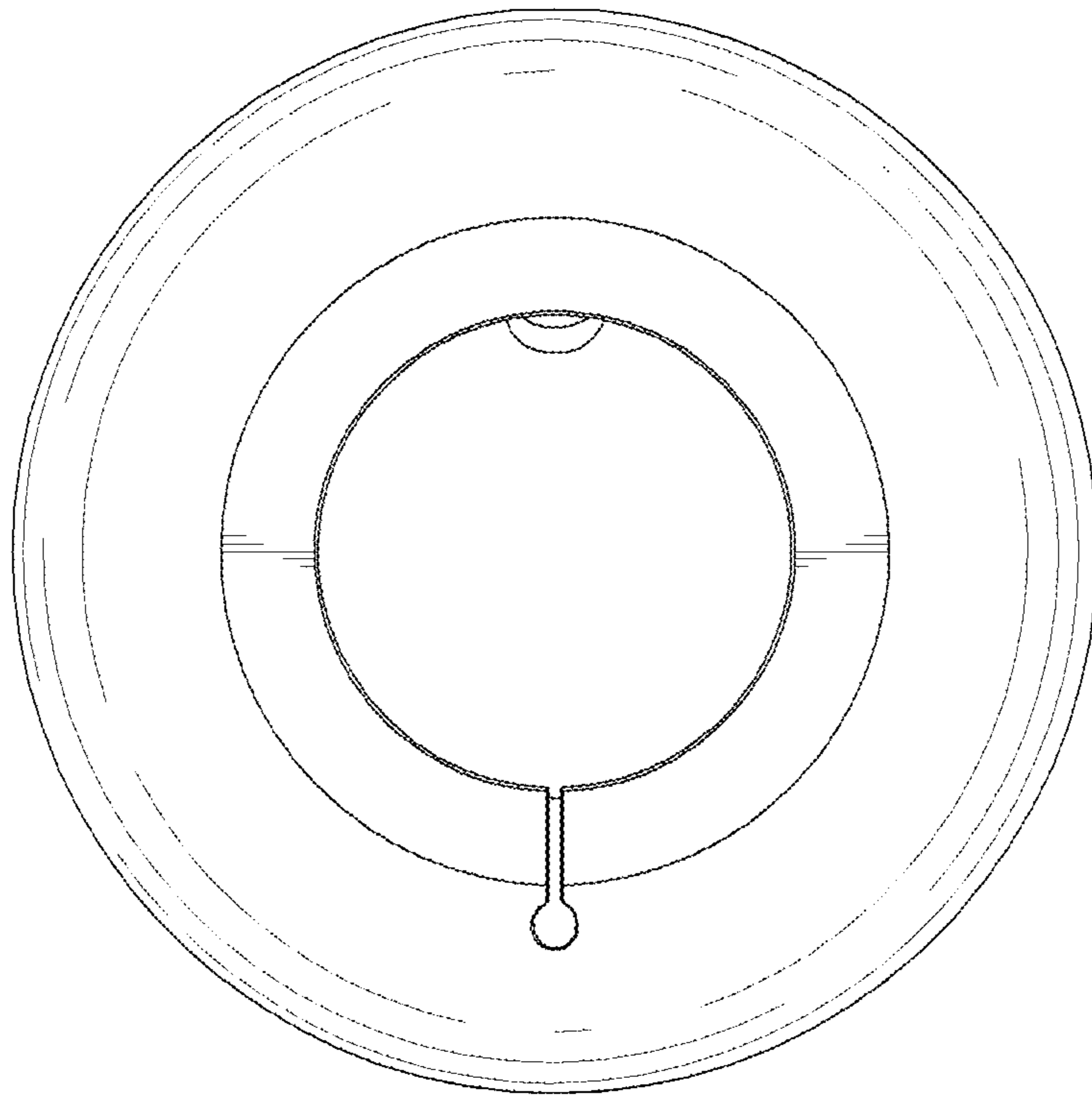


FIG. 8

