

US00D936660S

(12) **United States Design Patent** (10) **Patent No.:** **US D936,660 S**
He (45) **Date of Patent:** **** Nov. 23, 2021**

(54) **COMPUTER SUPPORT**

(71) Applicant: **Jiajia He**, Liuzhou (CN)

(72) Inventor: **Jiajia He**, Liuzhou (CN)

(**) Term: **15 Years**

(21) Appl. No.: **29/738,521**

(22) Filed: **Jun. 18, 2020**

(30) **Foreign Application Priority Data**

Jan. 6, 2020 (CN) 202030007052.8

(51) **LOC (13) Cl.** **08-07**

(52) **U.S. Cl.**
USPC **D14/447**

(58) **Field of Classification Search**
USPC D14/447, 432, 434, 439, 440, 451, 452,
D14/457, 239, 253; D8/363, 373, 380;
(Continued)

(56) **References Cited**

U.S. PATENT DOCUMENTS

D573,598 S * 7/2008 Chu D14/447
D626,964 S * 11/2010 Richardson D14/447
(Continued)

Primary Examiner — Angela J Lee

(74) *Attorney, Agent, or Firm* — IPRO, PLLC

(57) **CLAIM**

The ornamental design for a computer support, as shown and described.

DESCRIPTION

FIG. 1 is a perspective view of a computer support embodying the new design;
FIG. 2 is another perspective view of the computer support;
FIG. 3 is a front view thereof;
FIG. 4 is a back view thereof;

FIG. 5 is a side view thereof;
FIG. 6 is another side view thereof;
FIG. 7 is a top view thereof;
FIG. 8 is a bottom view thereof;
FIG. 9 is a perspective view of the computer support in a first support position;
FIG. 10 is another perspective view of the computer support in the first support position;
FIG. 11 is a front view thereof;
FIG. 12 is a back view thereof;
FIG. 13 is a side view thereof;
FIG. 14 is another side view thereof;
FIG. 15 is a top view thereof;
FIG. 16 is a bottom view thereof;
FIG. 17 is a perspective view of the computer support in a second support position;
FIG. 18 is another perspective view of the computer support in the second support position;
FIG. 19 is a front view thereof;
FIG. 20 is a back view thereof;
FIG. 21 is a side view thereof;
FIG. 22 is another side view thereof;
FIG. 23 is a top view thereof;
FIG. 24 is a bottom view thereof;
FIG. 25 is a perspective view of the computer support in a third support position;
FIG. 26 is another perspective view of the computer support in the third support position;
FIG. 27 is a front view thereof;
FIG. 28 is a back view thereof;
FIG. 29 is a side view thereof;
FIG. 30 is another side view thereof;
FIG. 31 is a top view thereof;
FIG. 32 is a bottom view thereof;
FIG. 33 is a perspective view of the computer support in a fourth support position;
FIG. 34 is another perspective view of the computer support in the fourth support position;
FIG. 35 is a front view thereof;
FIG. 36 is a back view thereof;

(Continued)

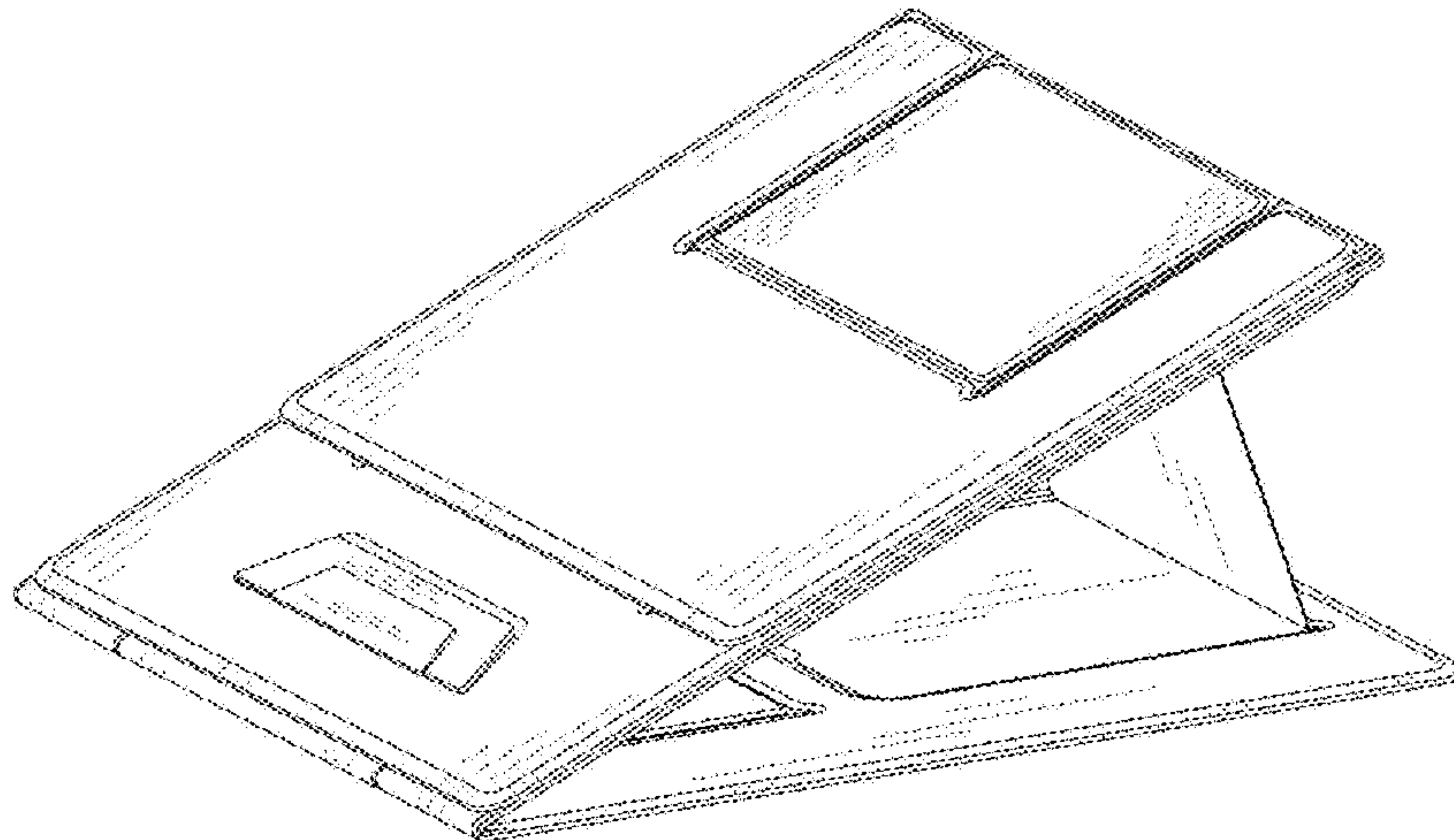


FIG. 37 is a side view thereof;
FIG. 38 is another side view thereof;
FIG. 39 is a top view thereof;
FIG. 40 is a bottom view thereof;
FIG. 41 is a perspective view of the computer support in a fifth support position;
FIG. 42 is another perspective view of the computer support in the fifth support position;
FIG. 43 is a front view thereof;
FIG. 44 is a back view thereof;
FIG. 45 is a side view thereof;
FIG. 46 is another side view thereof;
FIG. 47 is a top view thereof;
FIG. 48 is a bottom view thereof;
FIG. 49 is a perspective view of the computer support in unfolded state;
FIG. 50 is another perspective view of the computer support in unfolded state;
FIG. 51 is a front view thereof;
FIG. 52 is a back view thereof;
FIG. 53 is a side view thereof;
FIG. 54 is another side view thereof;
FIG. 55 is a top view thereof;
FIG. 56 is a bottom view thereof;

FIG. 57 is an enlarged top view thereof; and,
FIG. 58 is an enlarged bottom view thereof.

1 Claim, 30 Drawing Sheets

(58) **Field of Classification Search**

USPC D6/406.3, 406.4, 406.5, 406.6; D12/415;
D13/108
CPC A47B 21/04; A47B 2097/006; A47B
2097/005; A47B 2023/049; A45C
2011/002; A45C 2011/003; F16M
2200/00; F16M 13/00

See application file for complete search history.

(56) **References Cited**

U.S. PATENT DOCUMENTS

D699,297	S	*	2/2014	Bahsoun	D19/59
D703,214	S	*	4/2014	Lye	D14/447
9,227,763	B2	*	1/2016	Gengler	G06F 1/16
D755,796	S	*	5/2016	Gibson	D14/447
D804,490	S	*	12/2017	Wei	D14/447
D833,446	S	*	11/2018	Elder	D14/447
D840,407	S	*	2/2019	Hsu	D14/447
D886,828	S	*	6/2020	Huebner	D14/447
D903,688	S	*	12/2020	Hong	D14/447
D906,347	S	*	12/2020	Yang	D14/447
D912,679	S	*	3/2021	He	D14/447

* cited by examiner

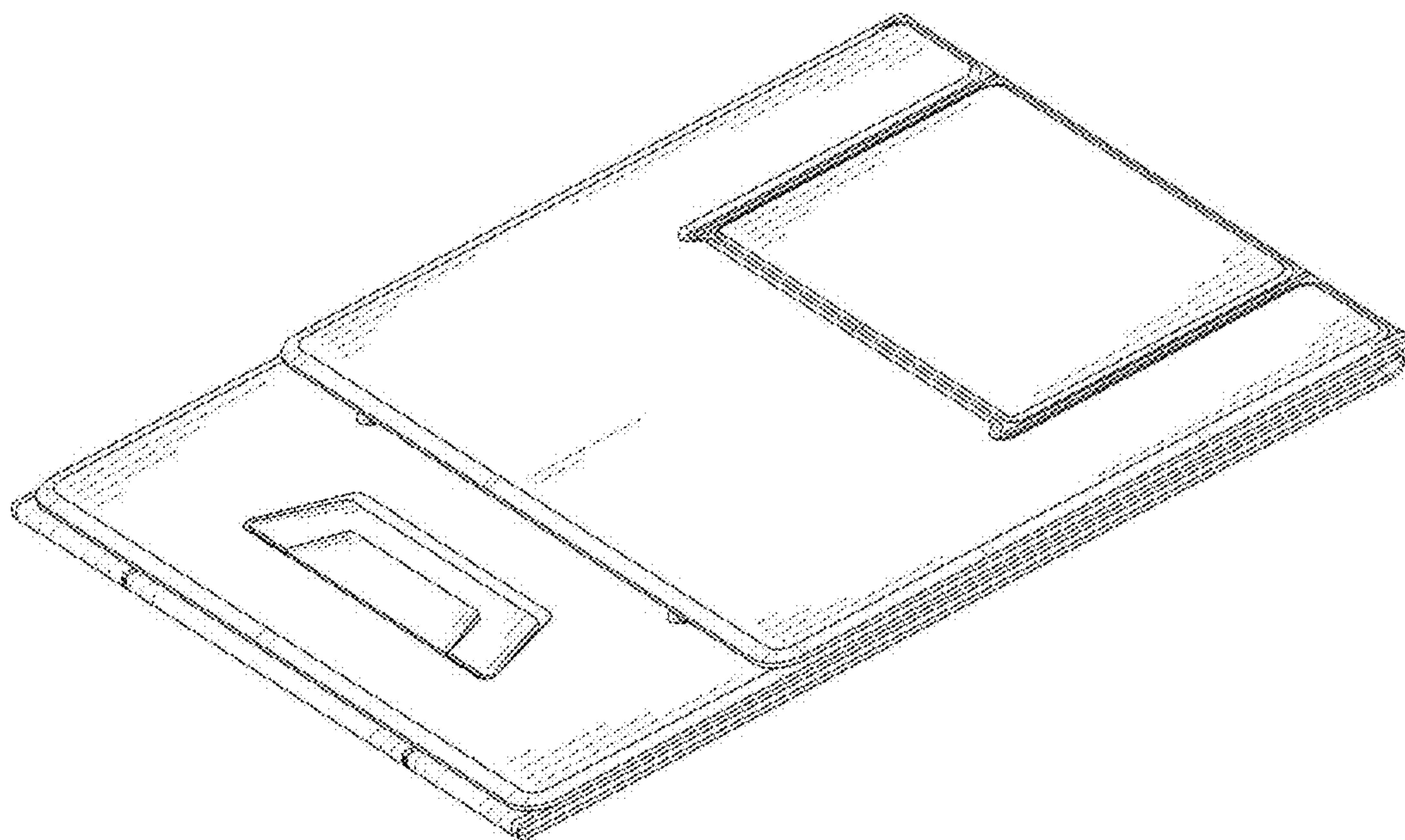


FIG. 1

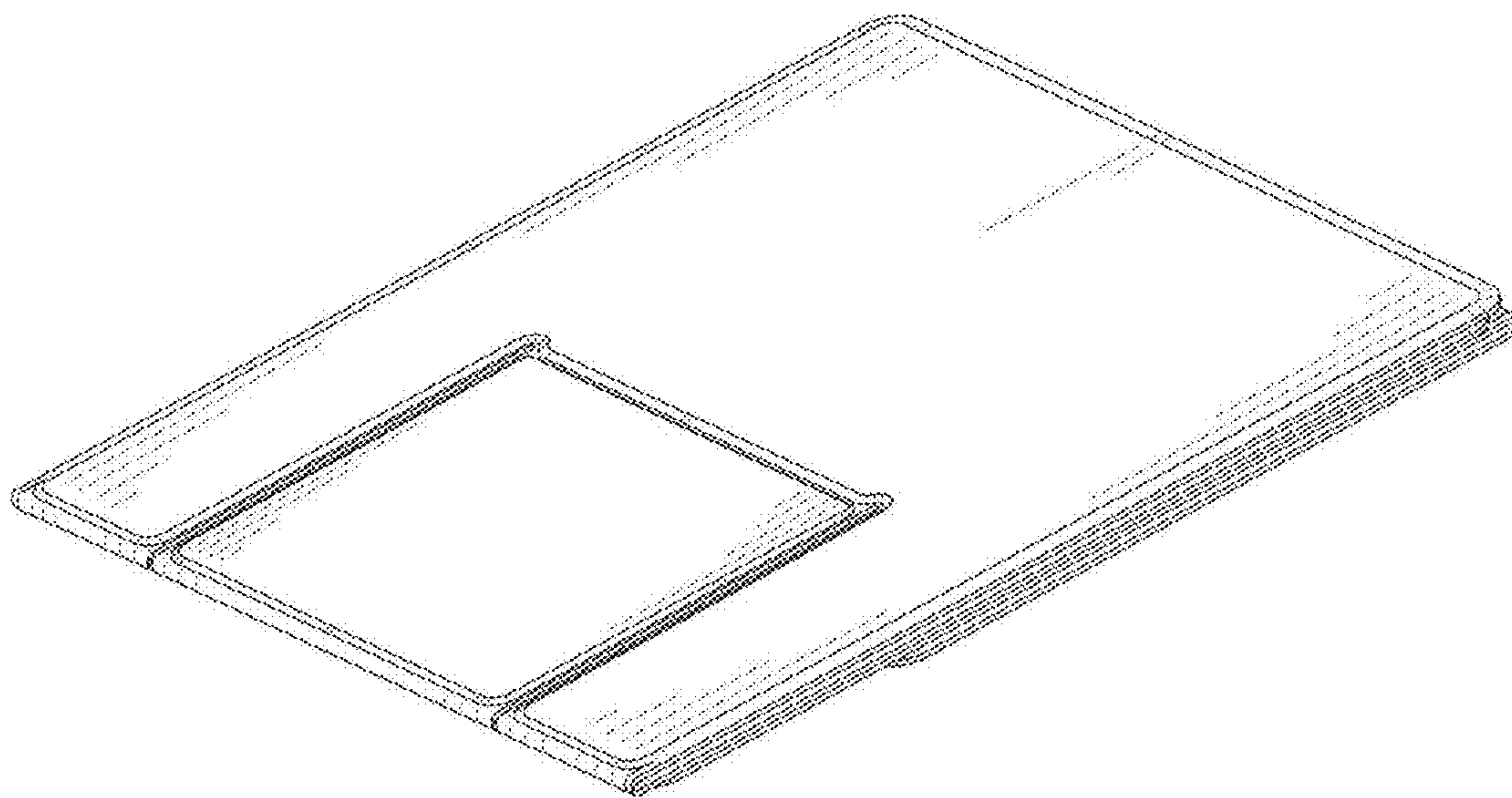


FIG. 2

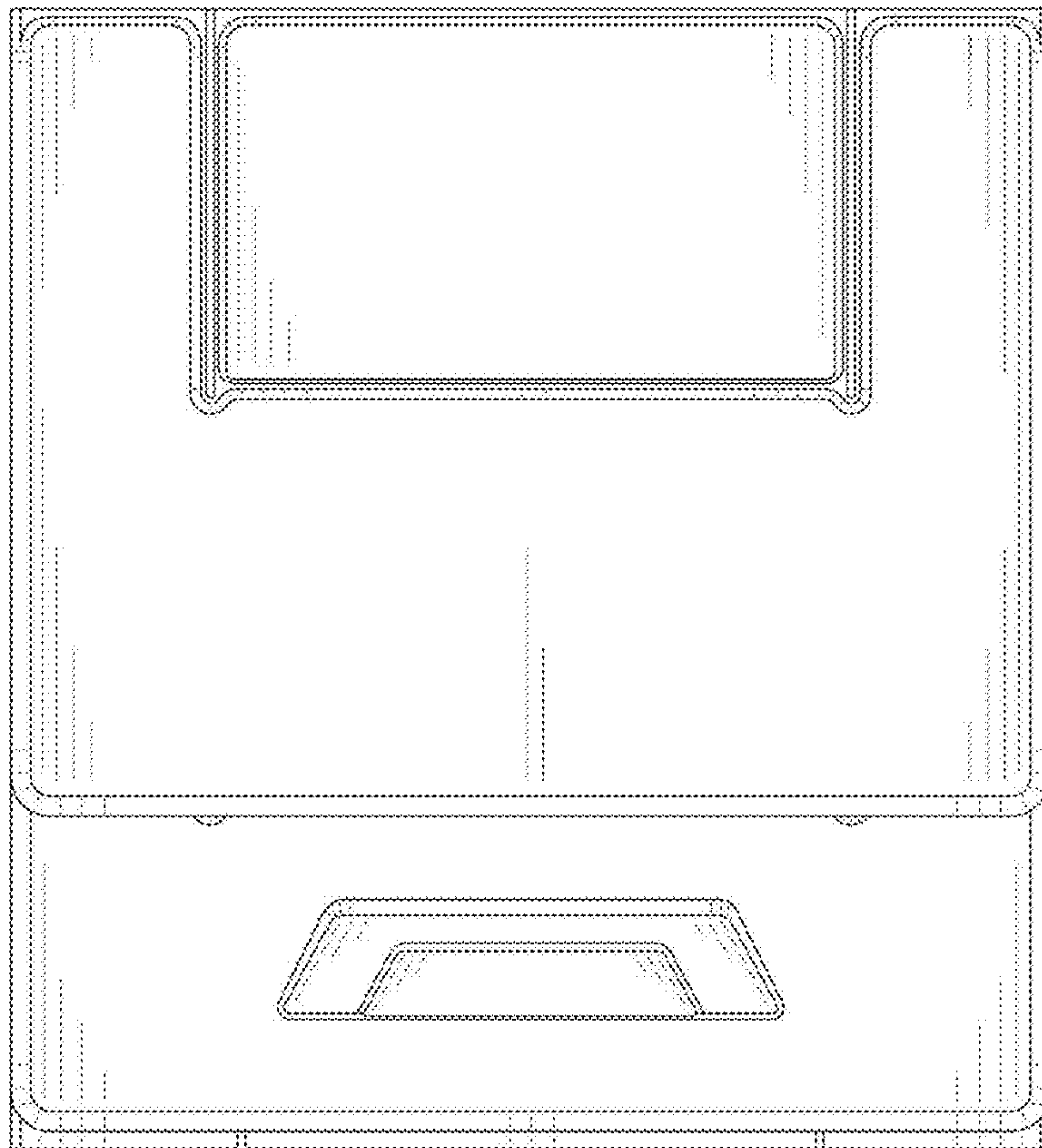


FIG. 3

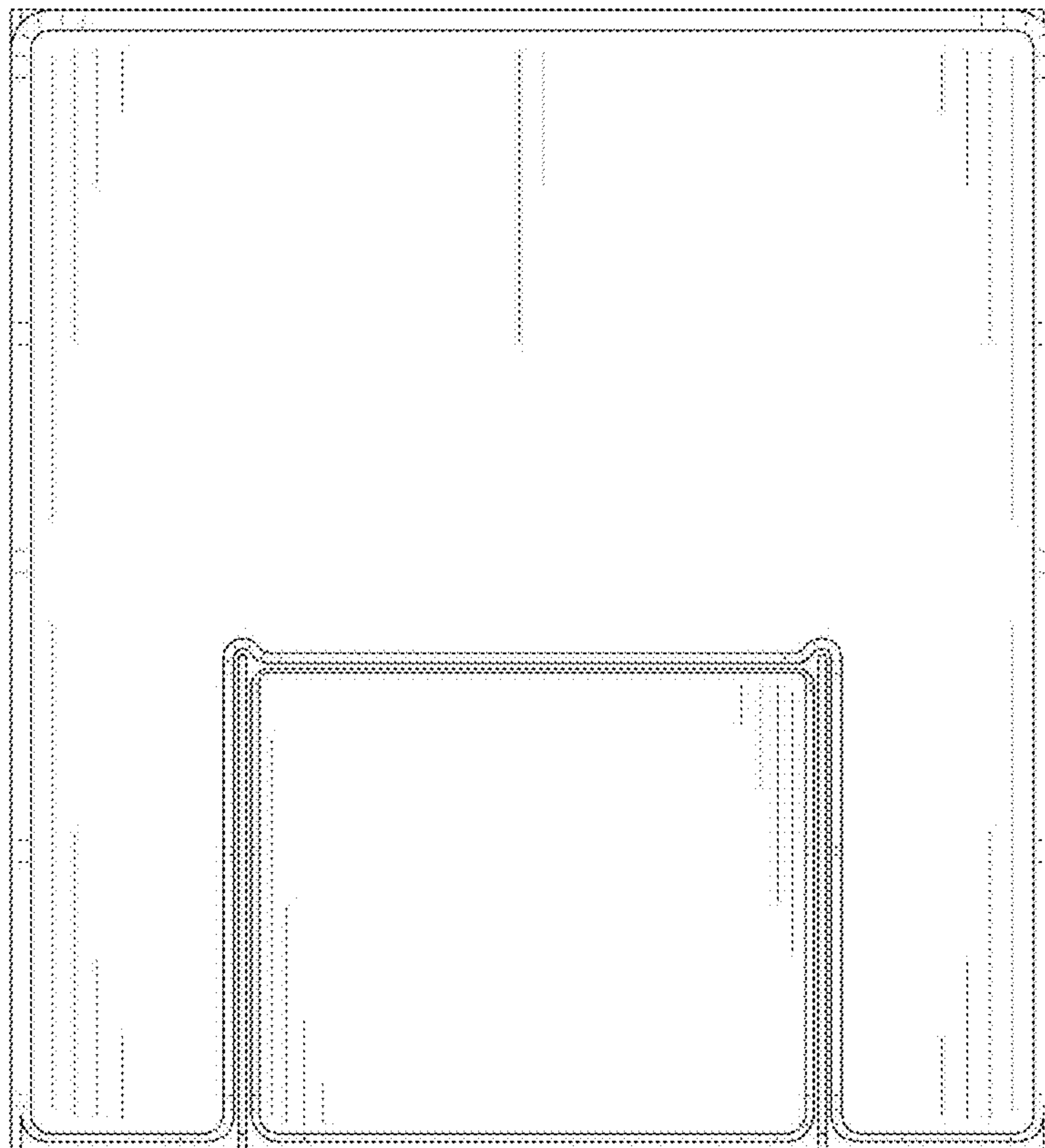


FIG. 4



FIG. 5



FIG. 6

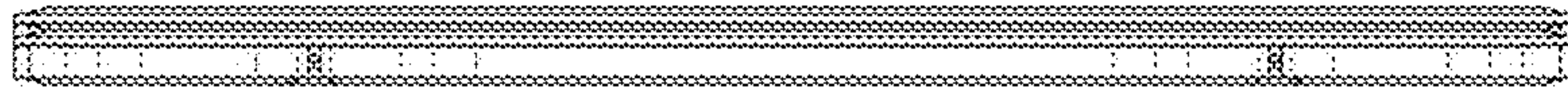


FIG. 7



FIG. 8

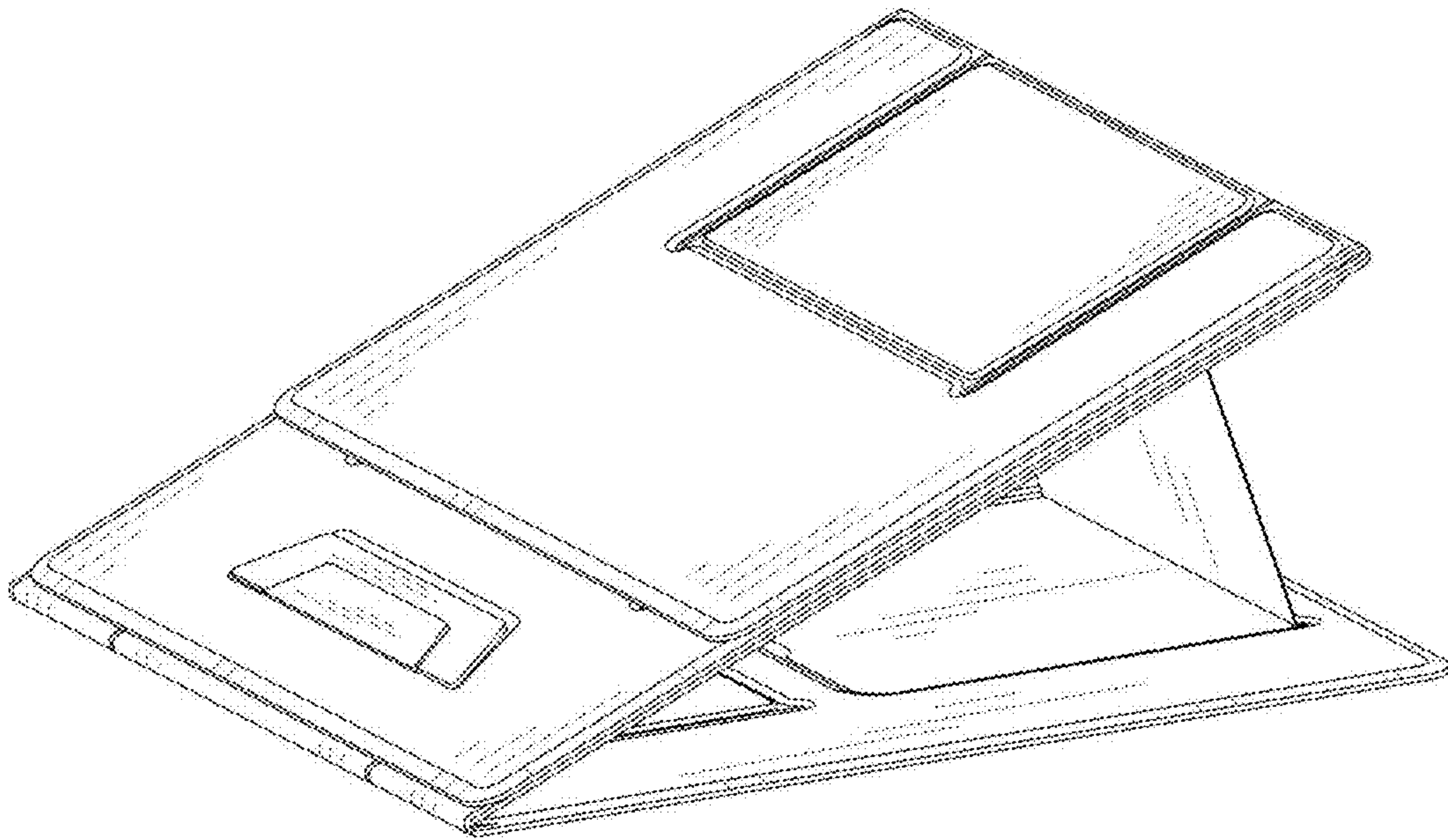


FIG. 9

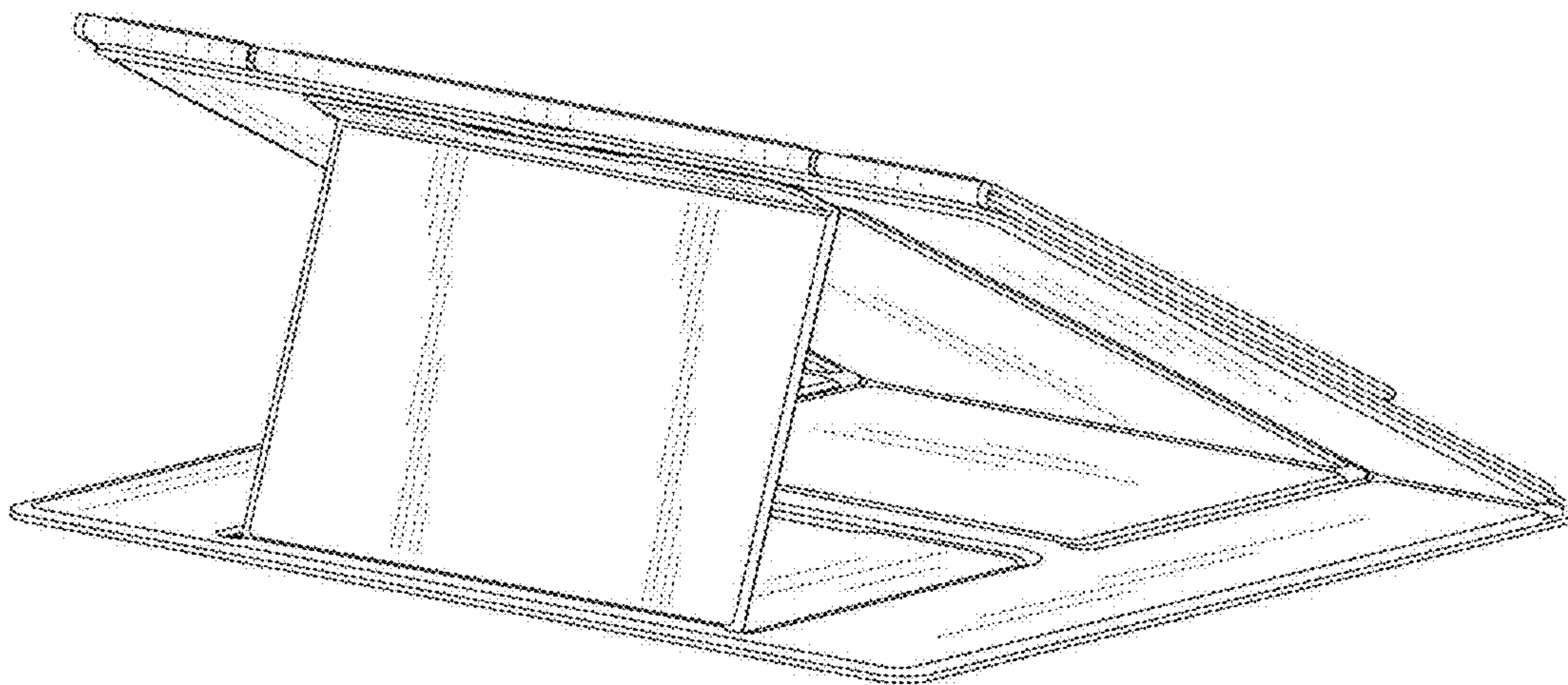


FIG. 10

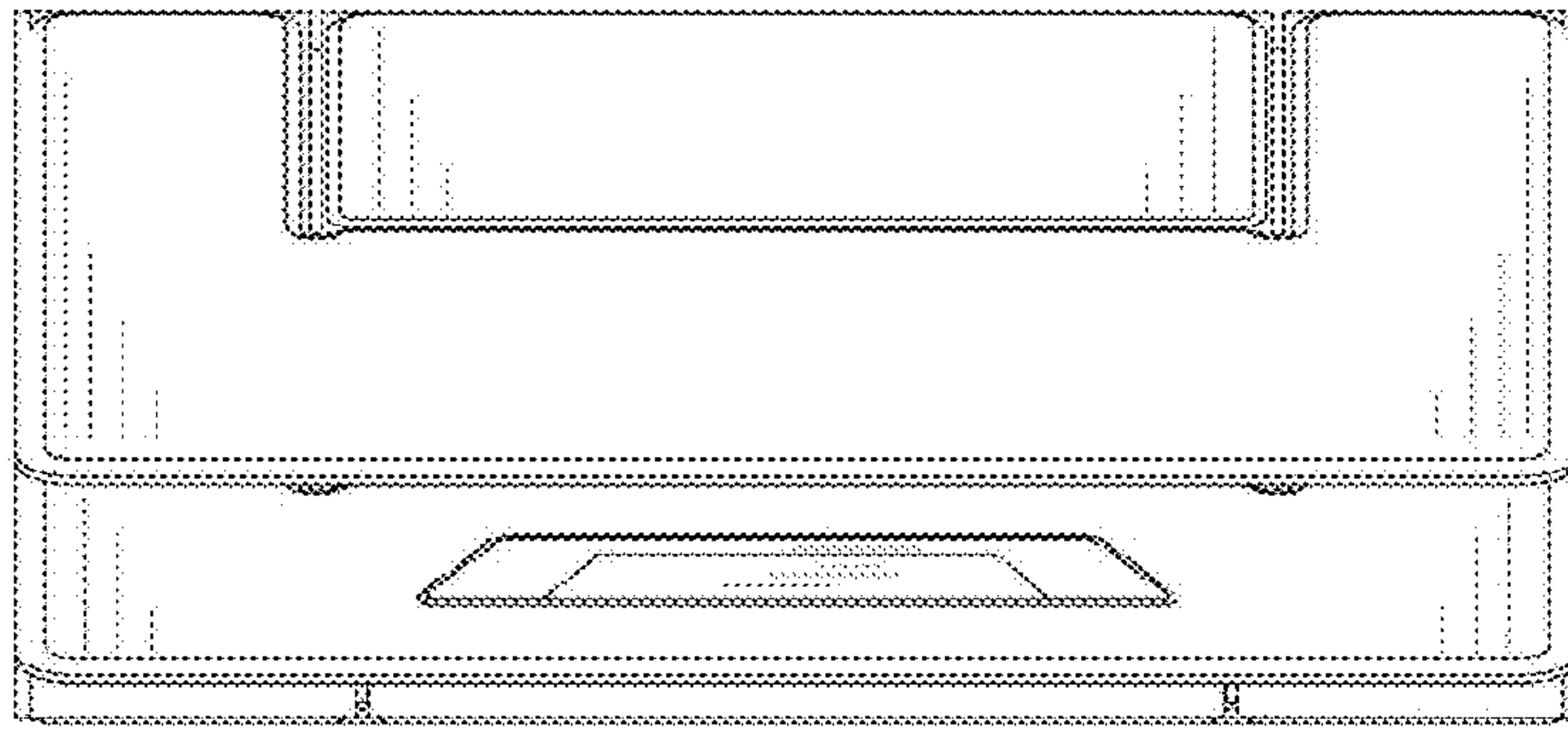


FIG. 11

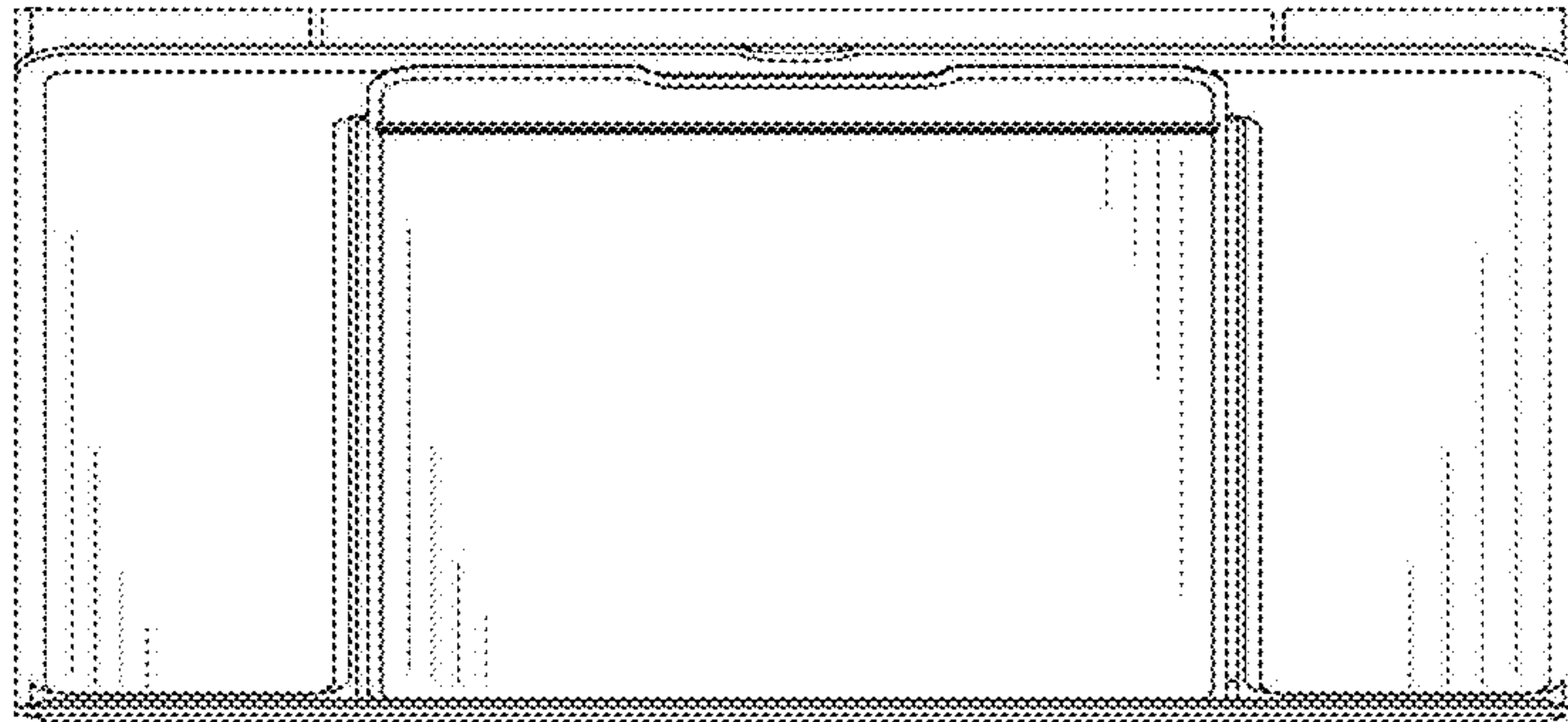


FIG. 12

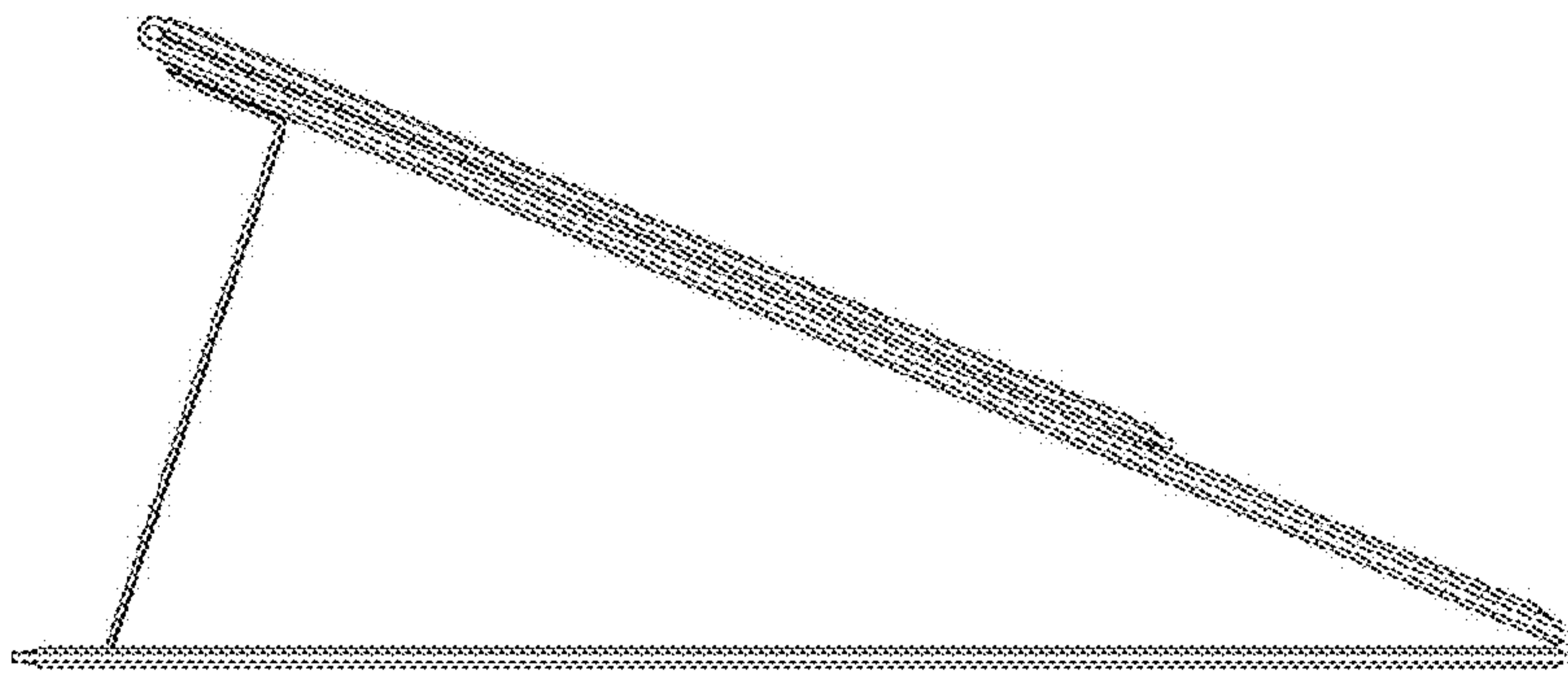


FIG. 13

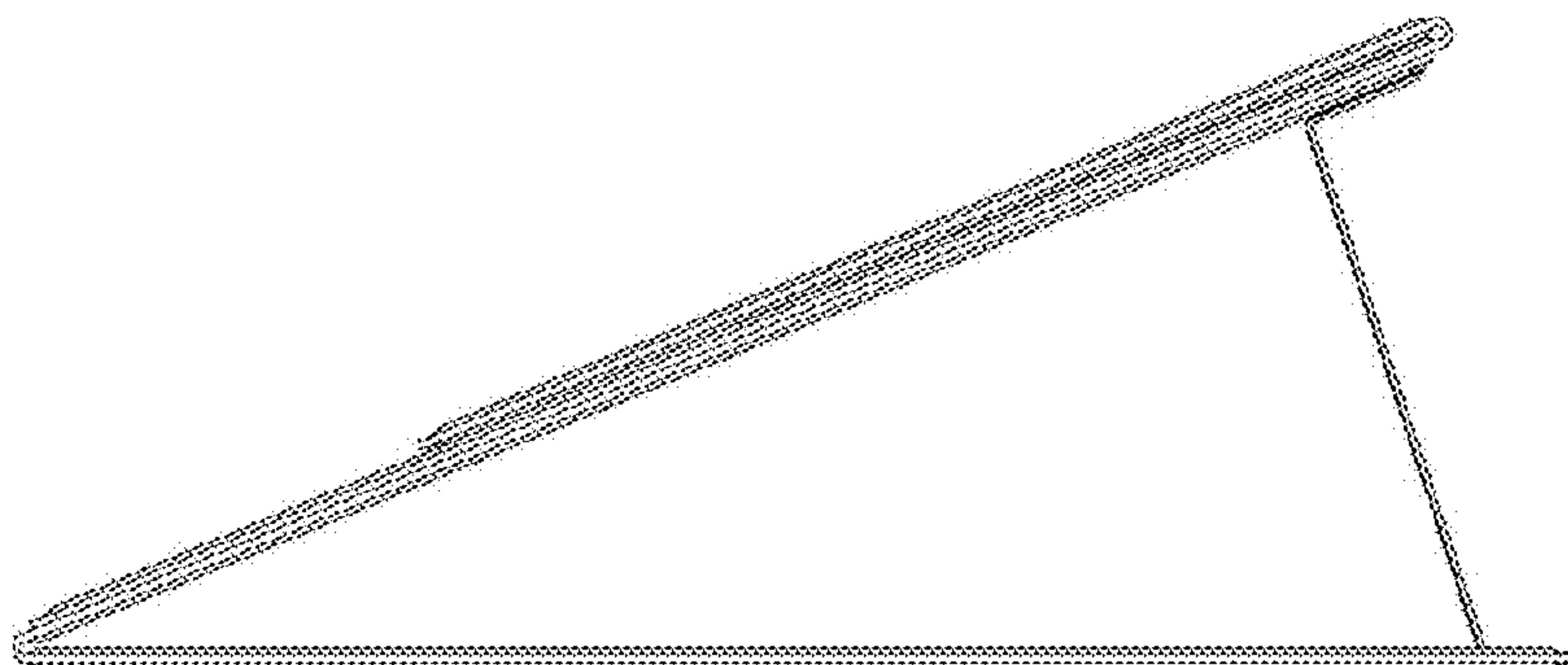


FIG. 14

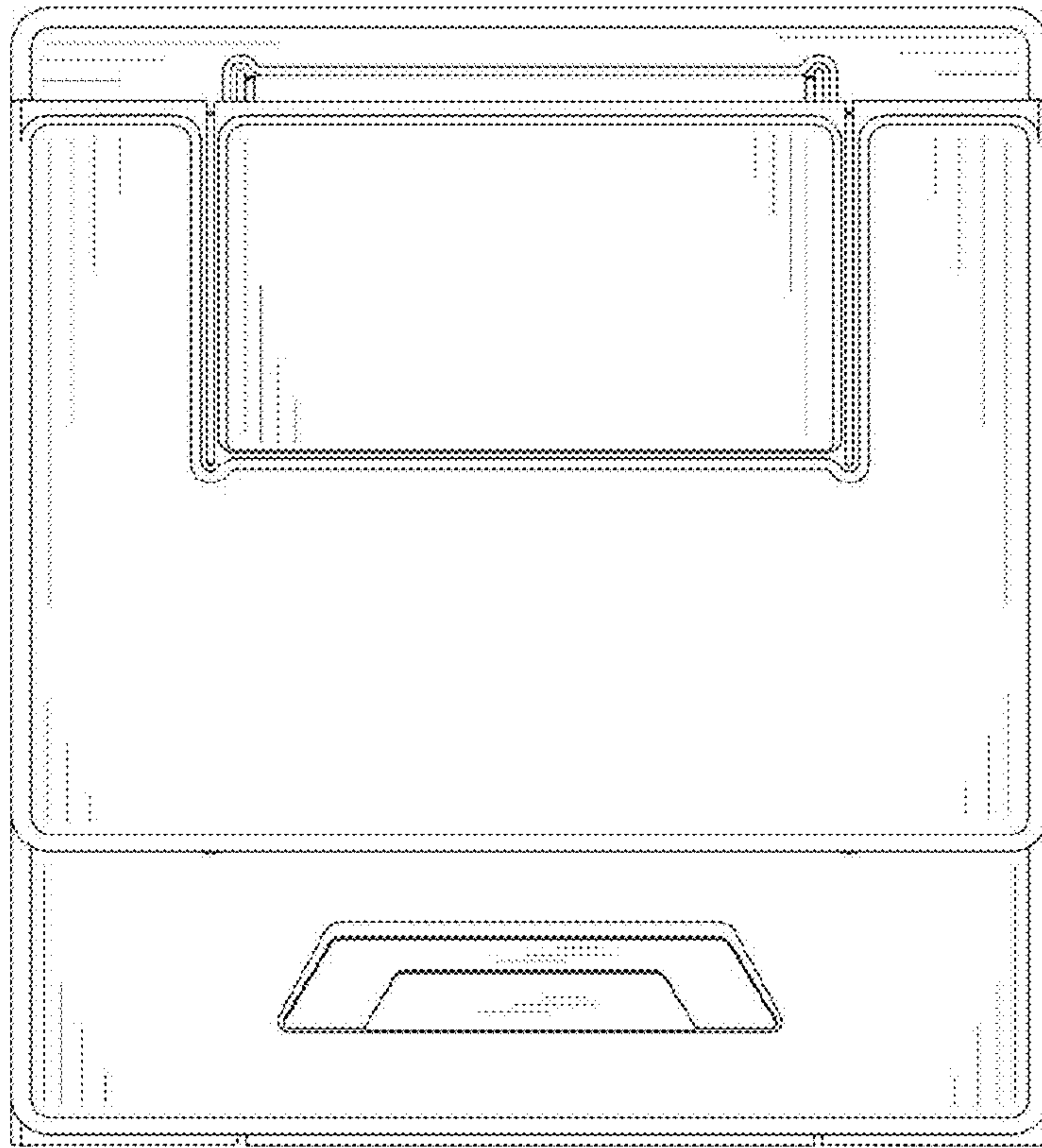


FIG. 15

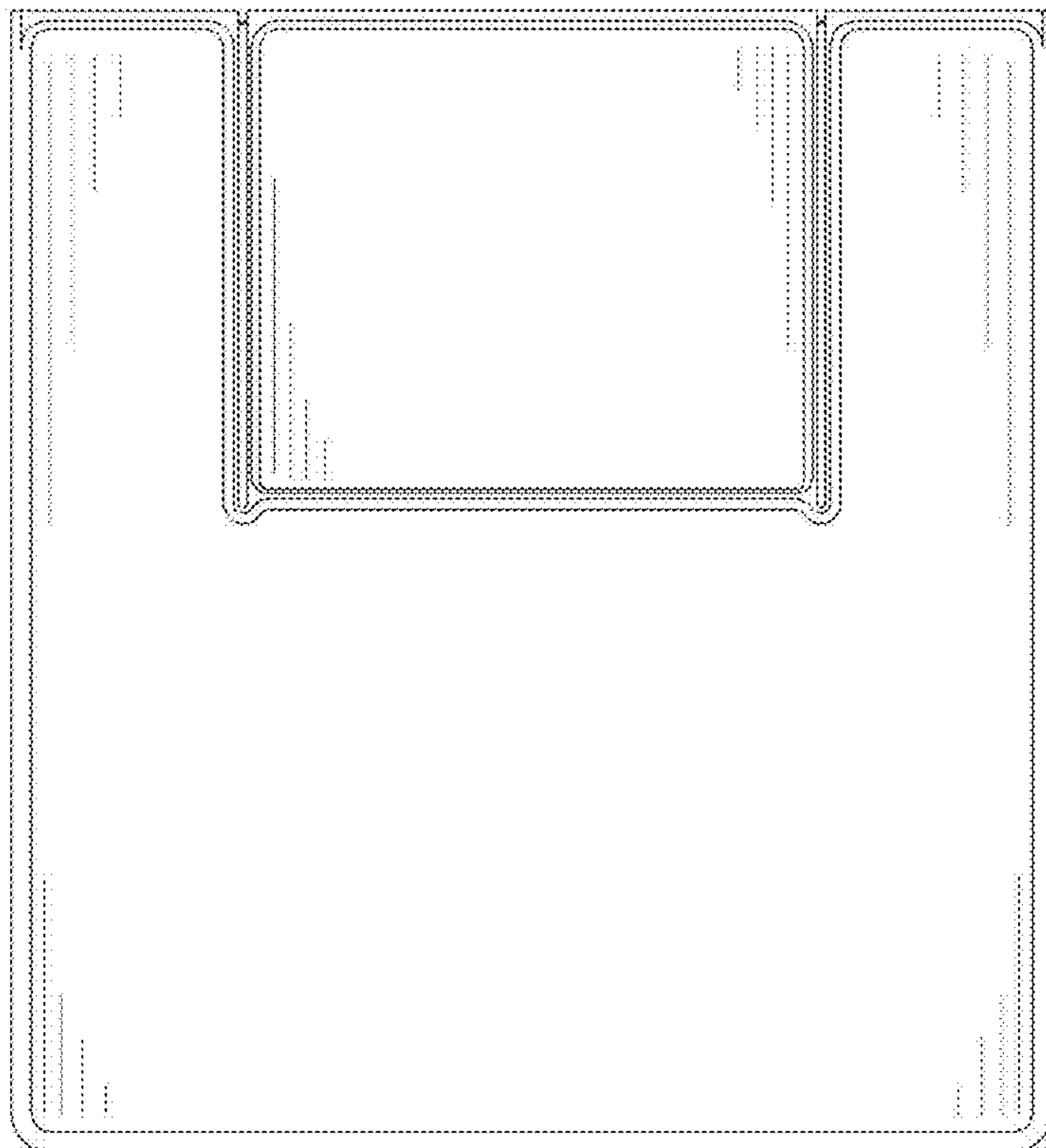


FIG. 16

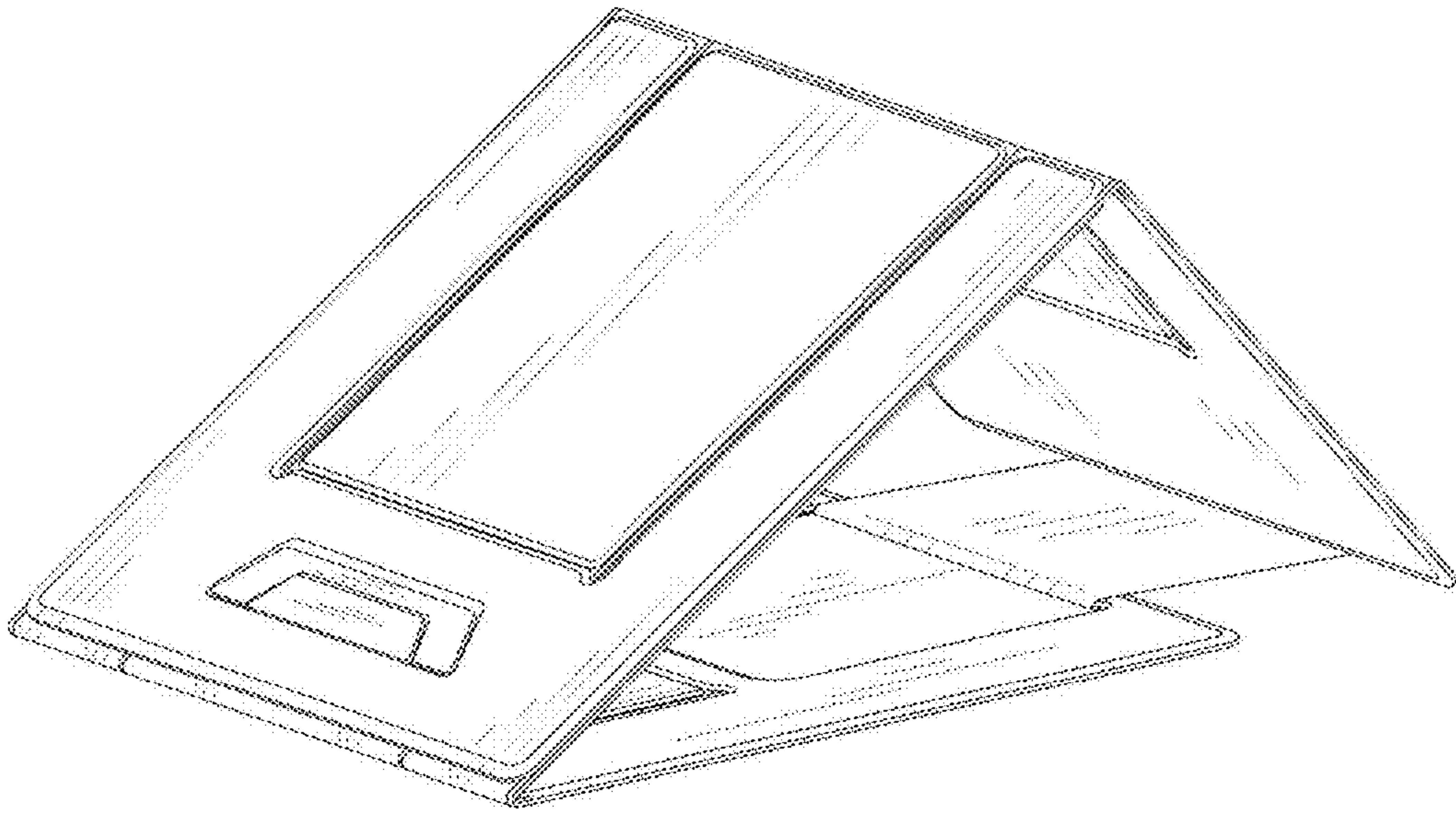


FIG. 17

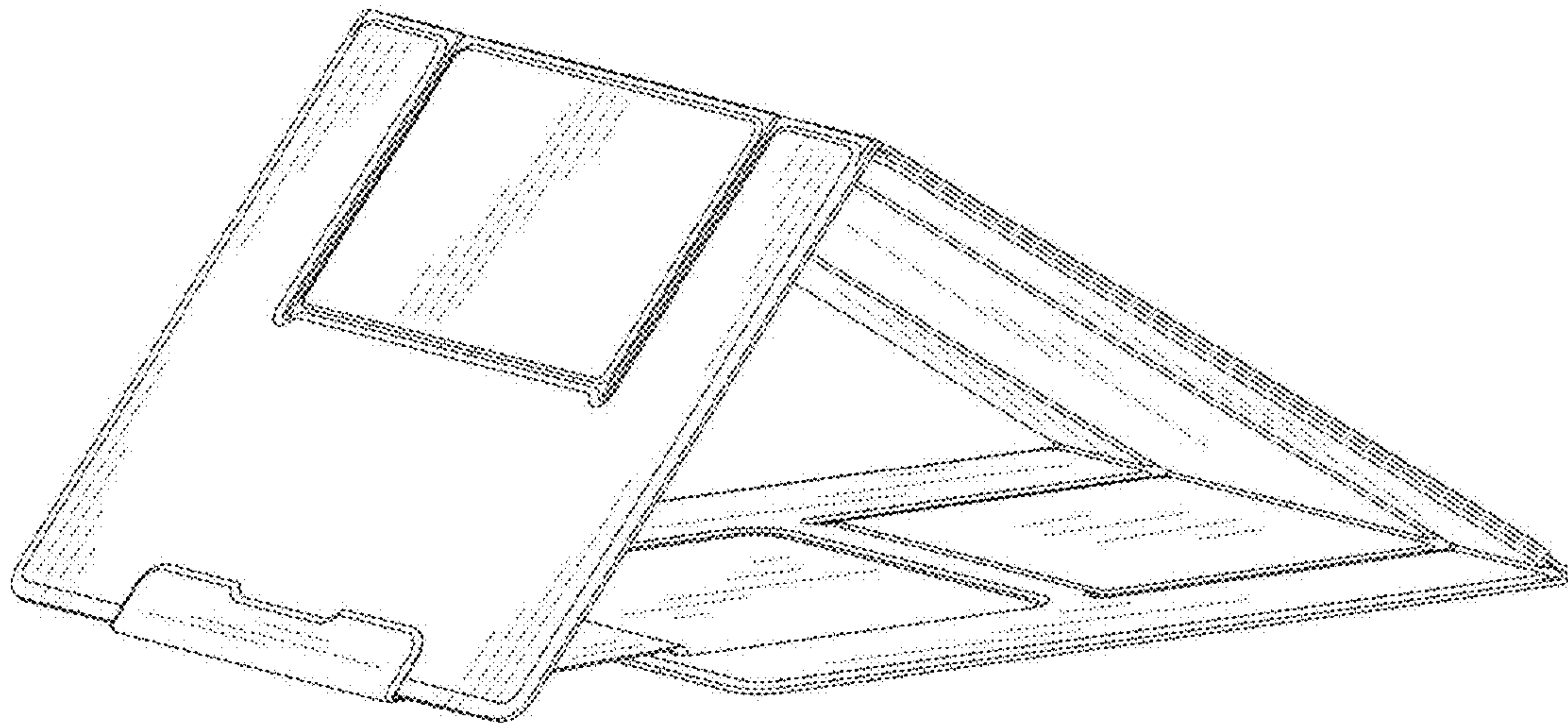


FIG. 18

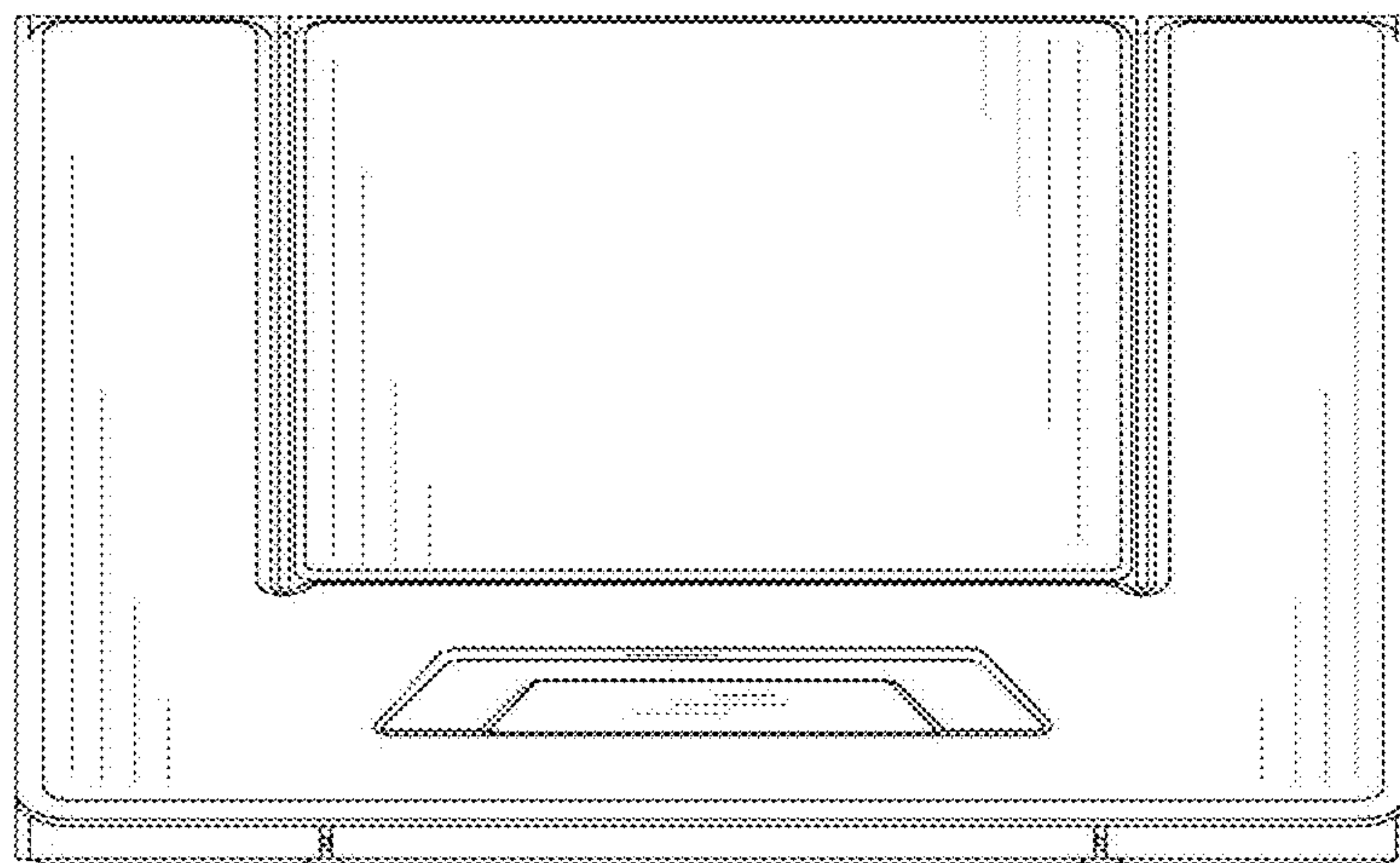


FIG. 19

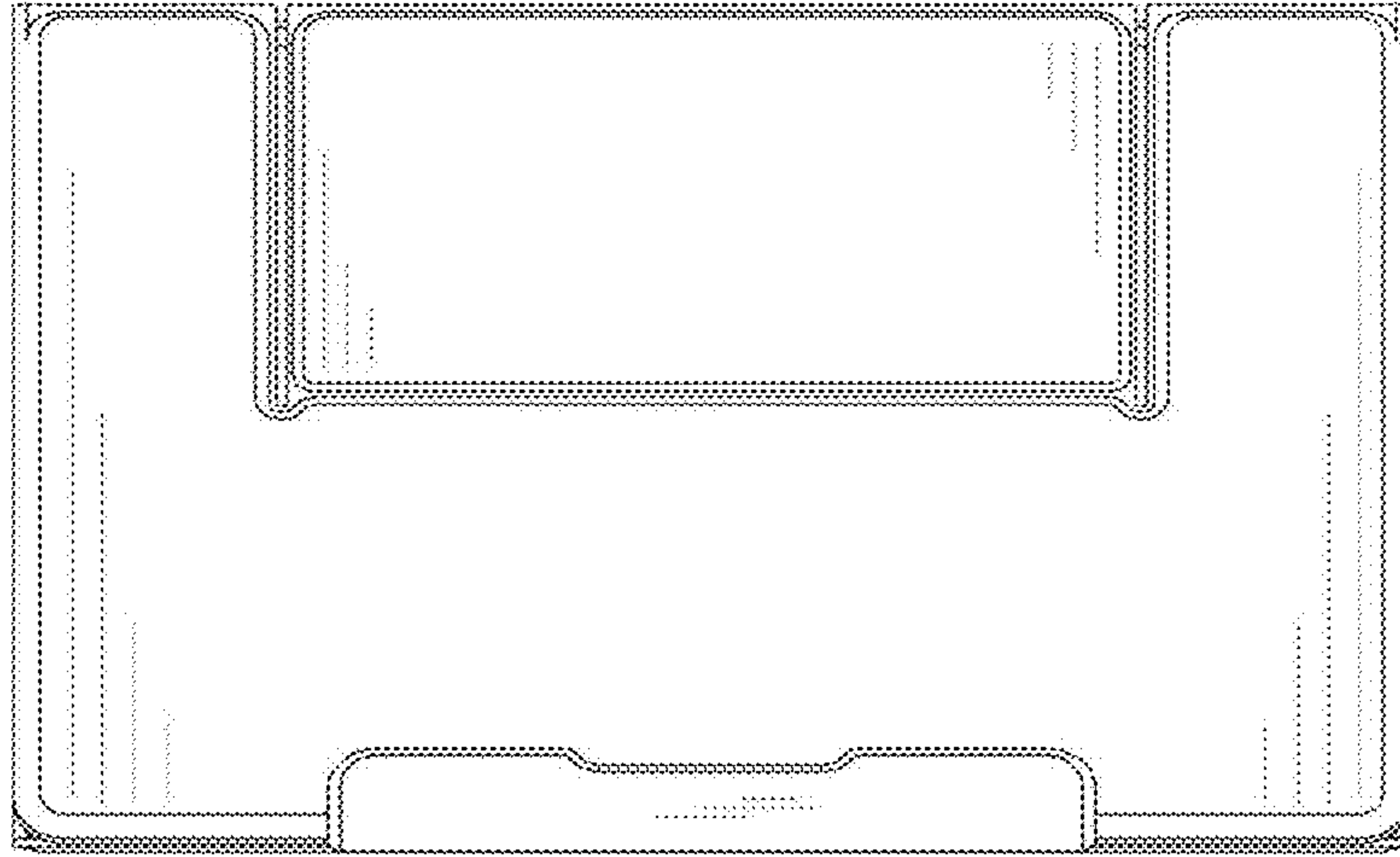


FIG. 20

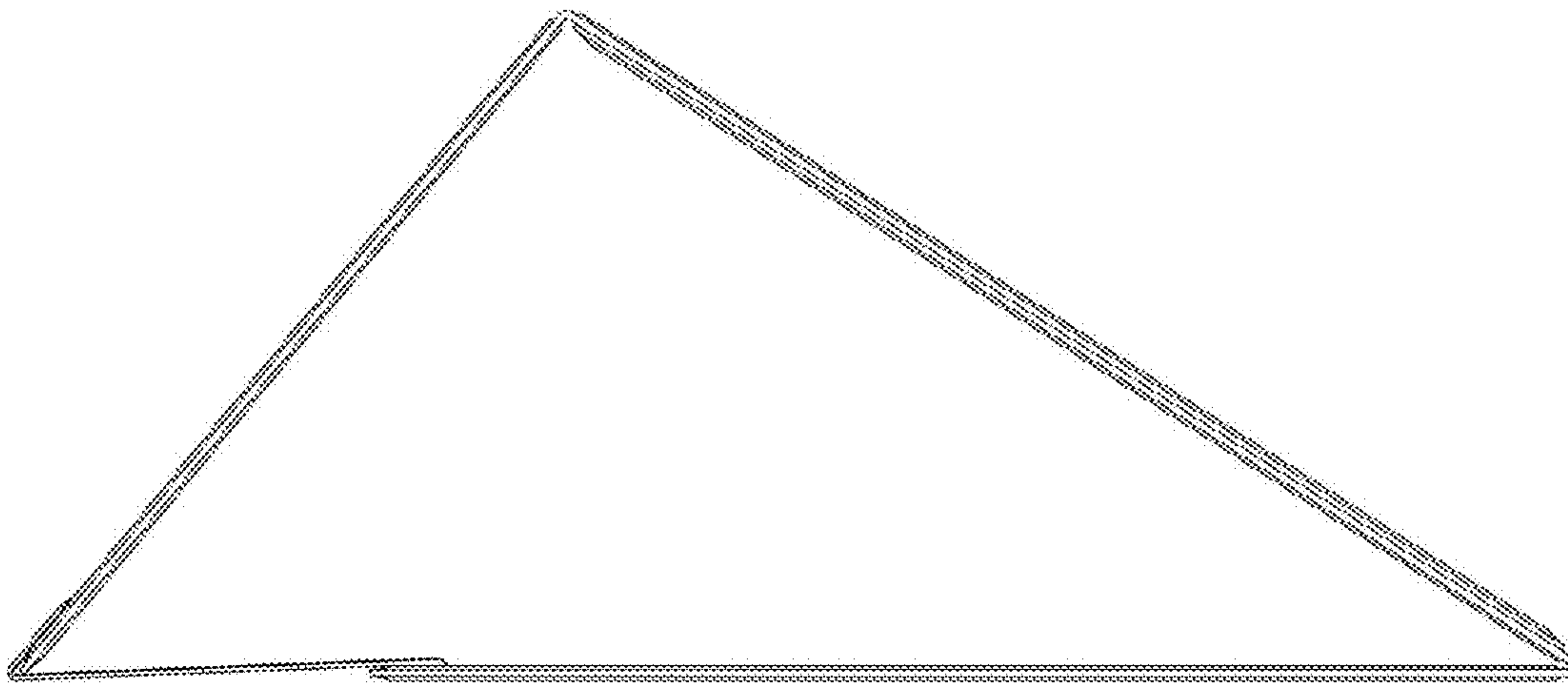


FIG. 21

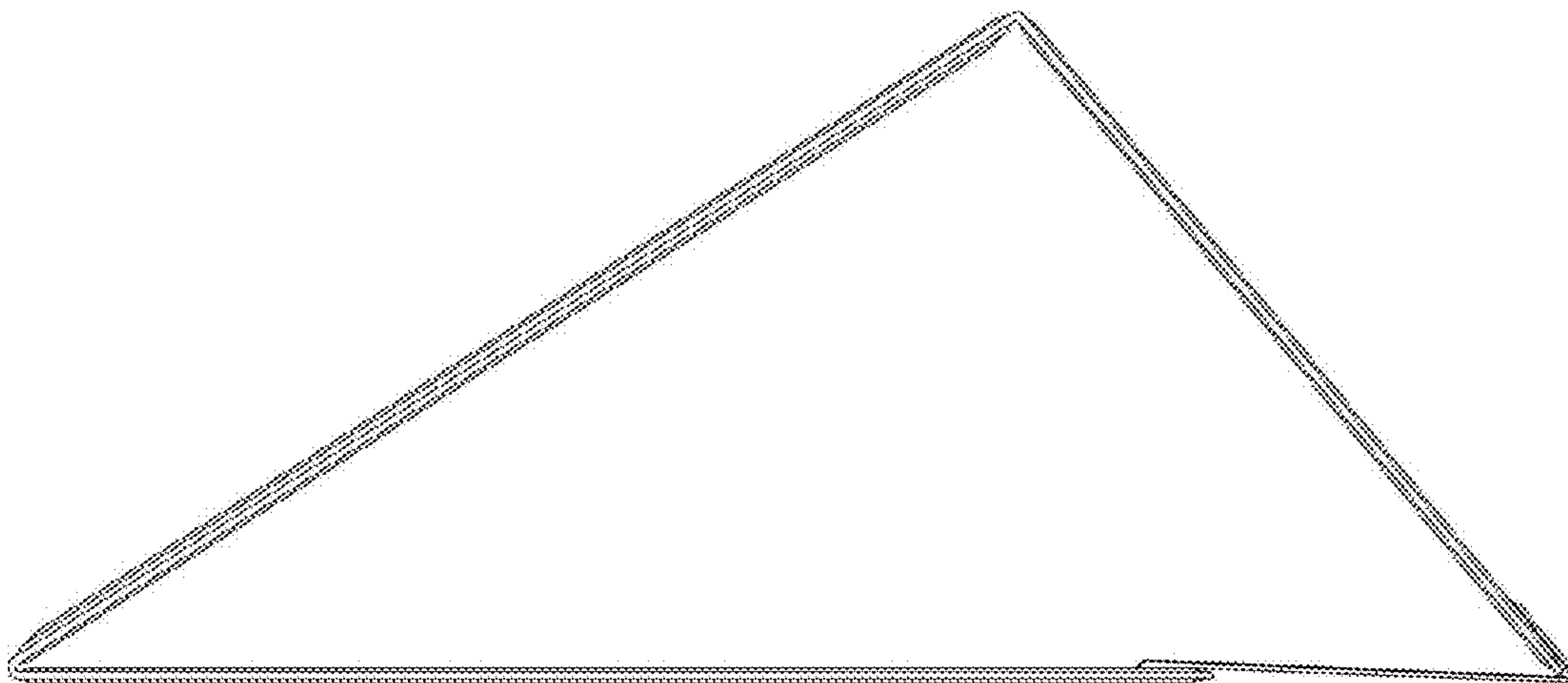


FIG. 22

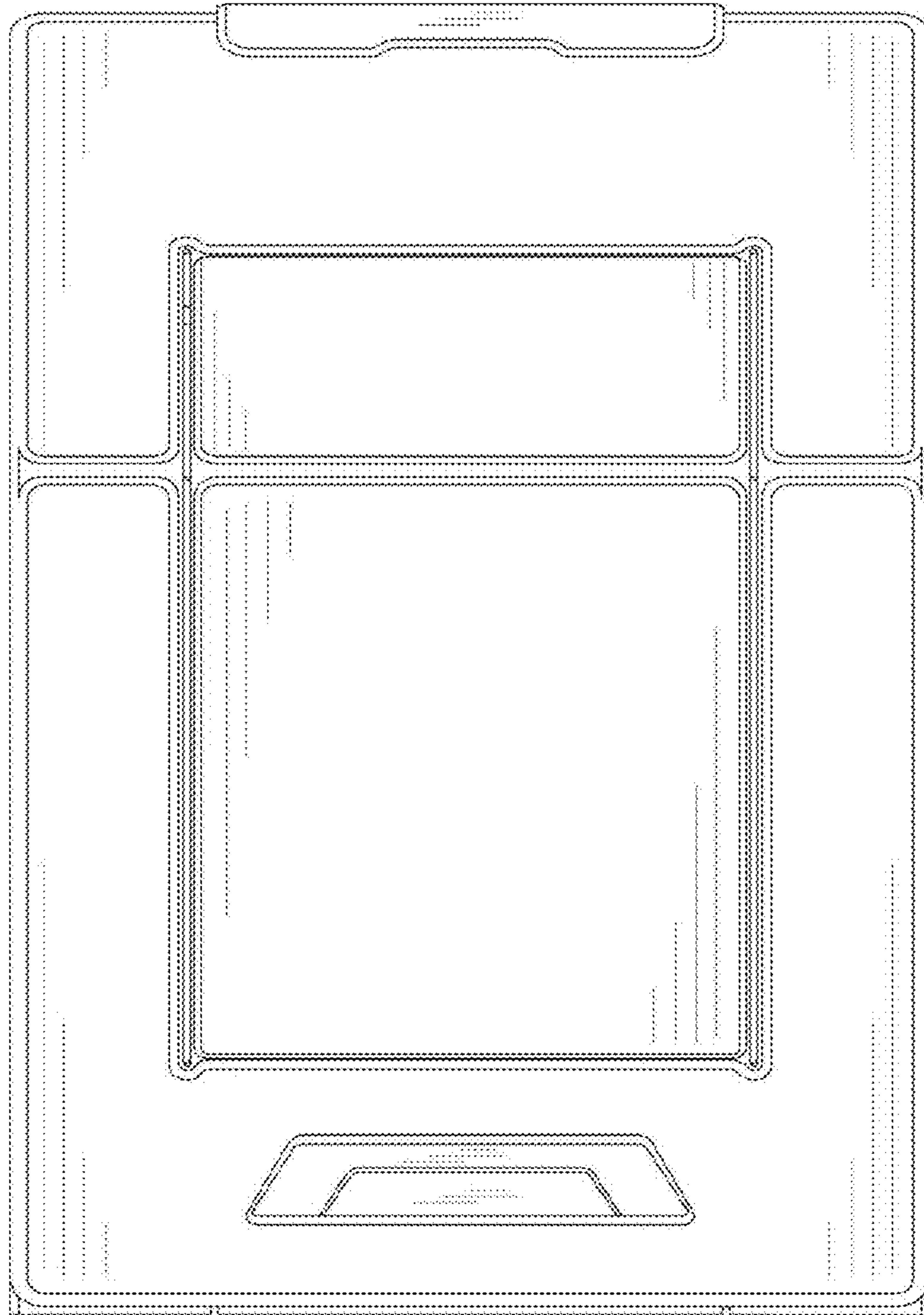


FIG. 23

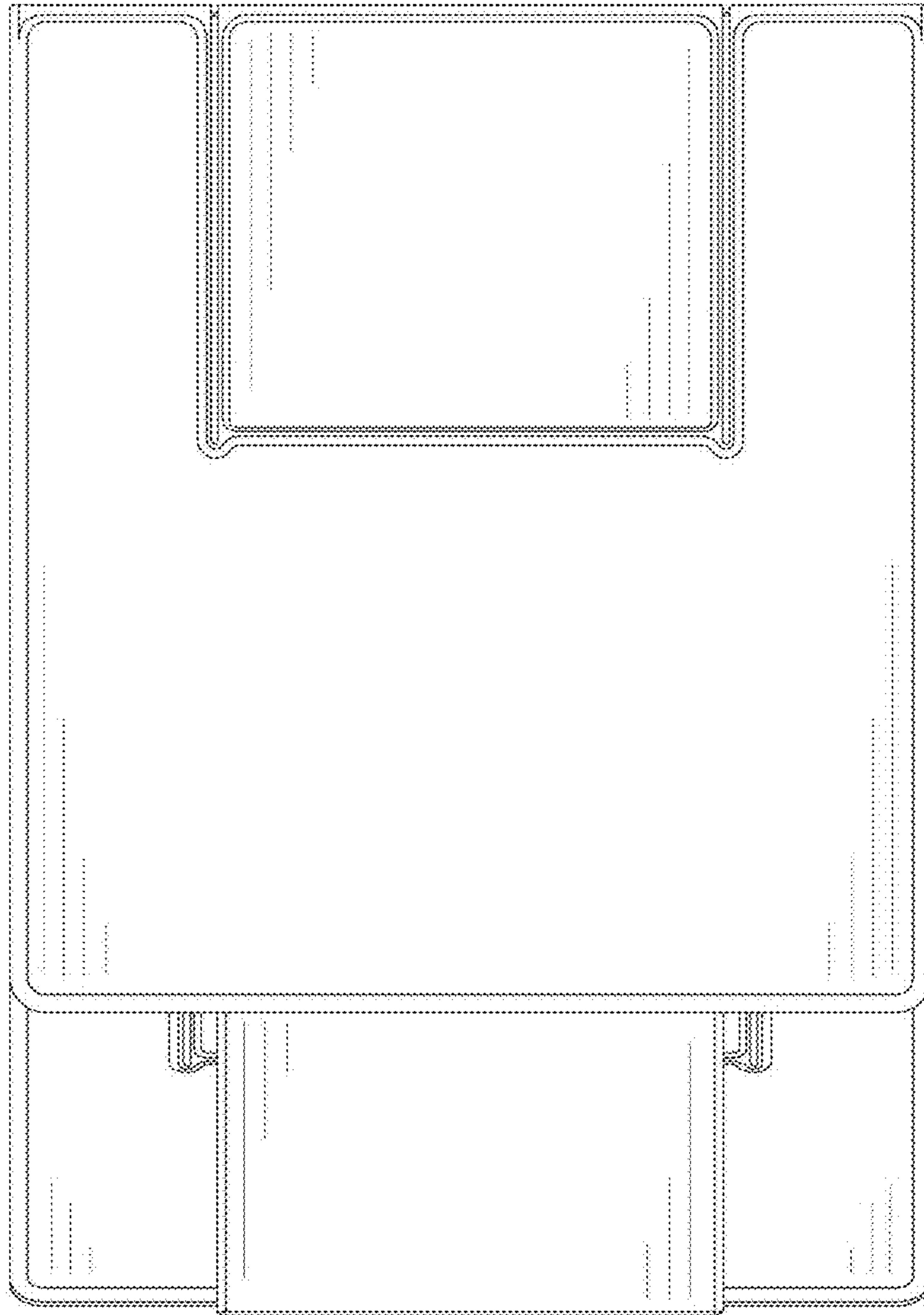


FIG. 24

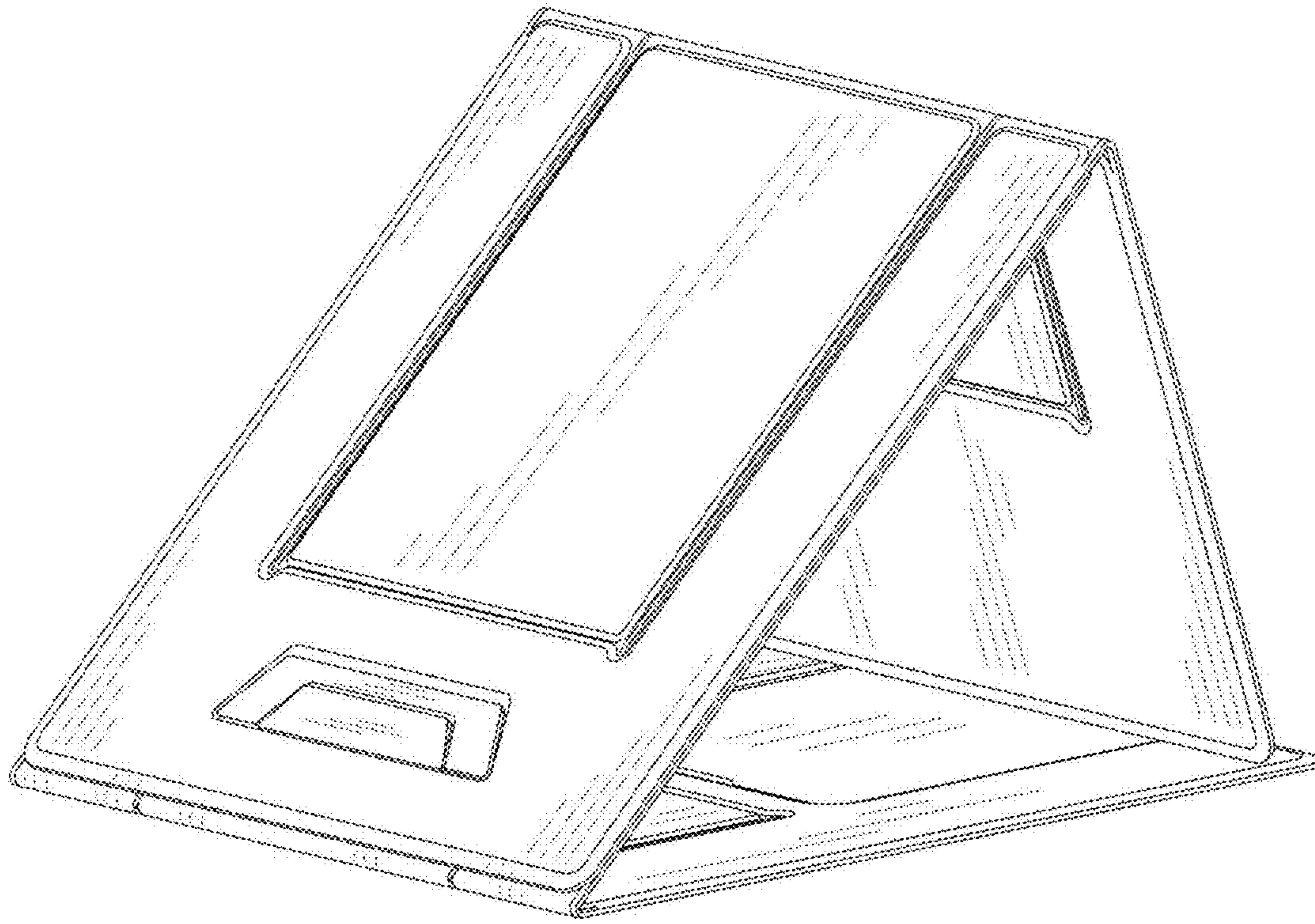


FIG. 25

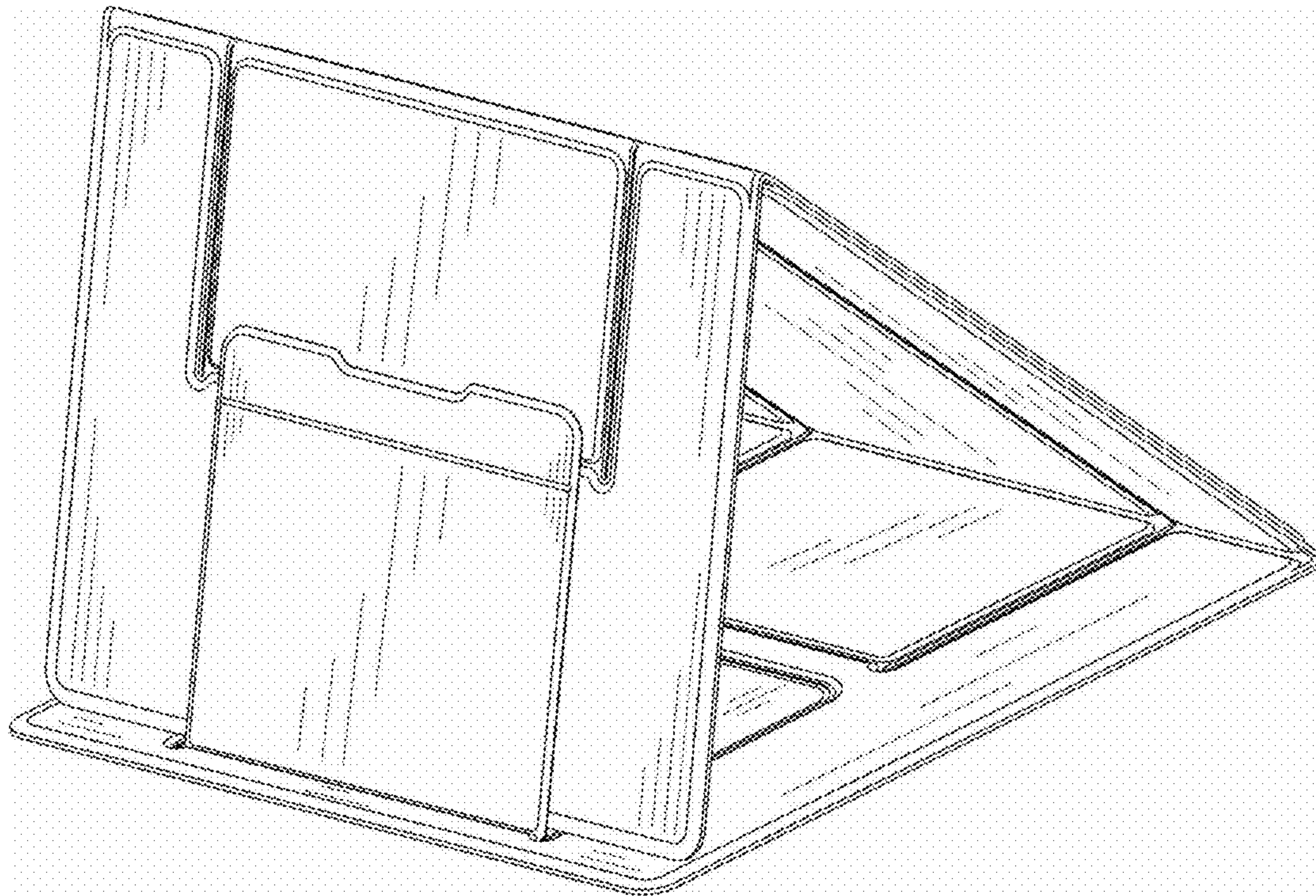


FIG. 26

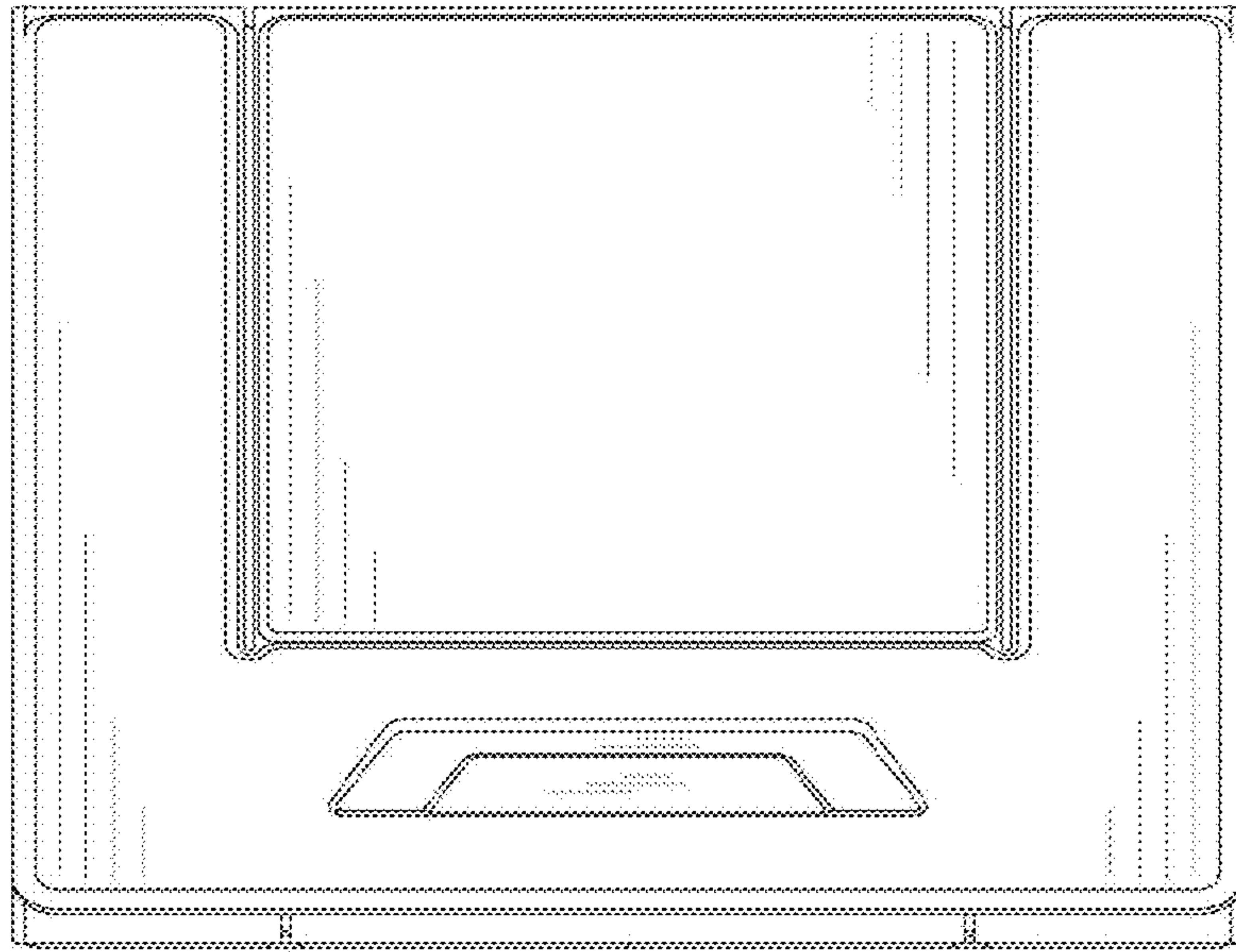


FIG. 27

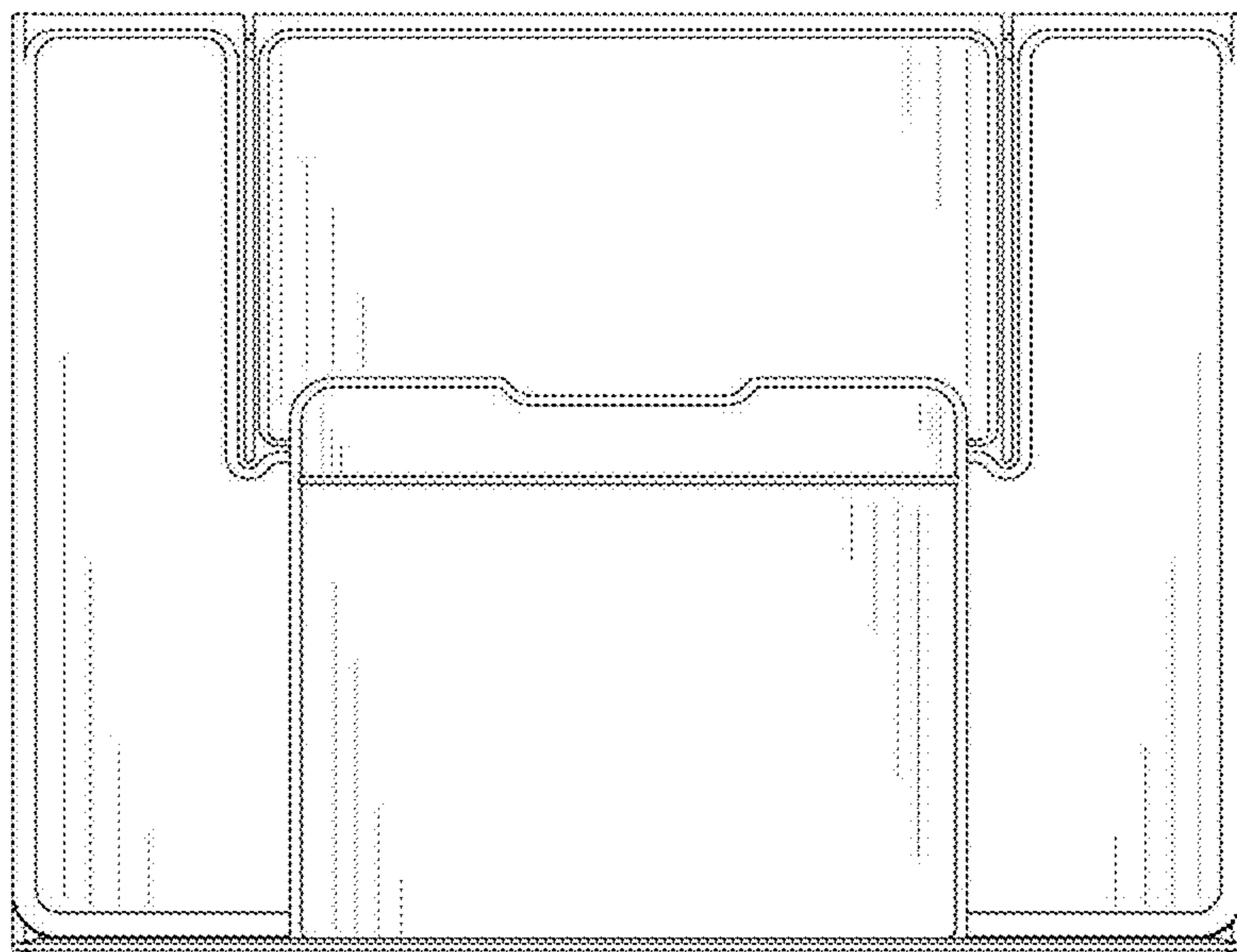


FIG. 28

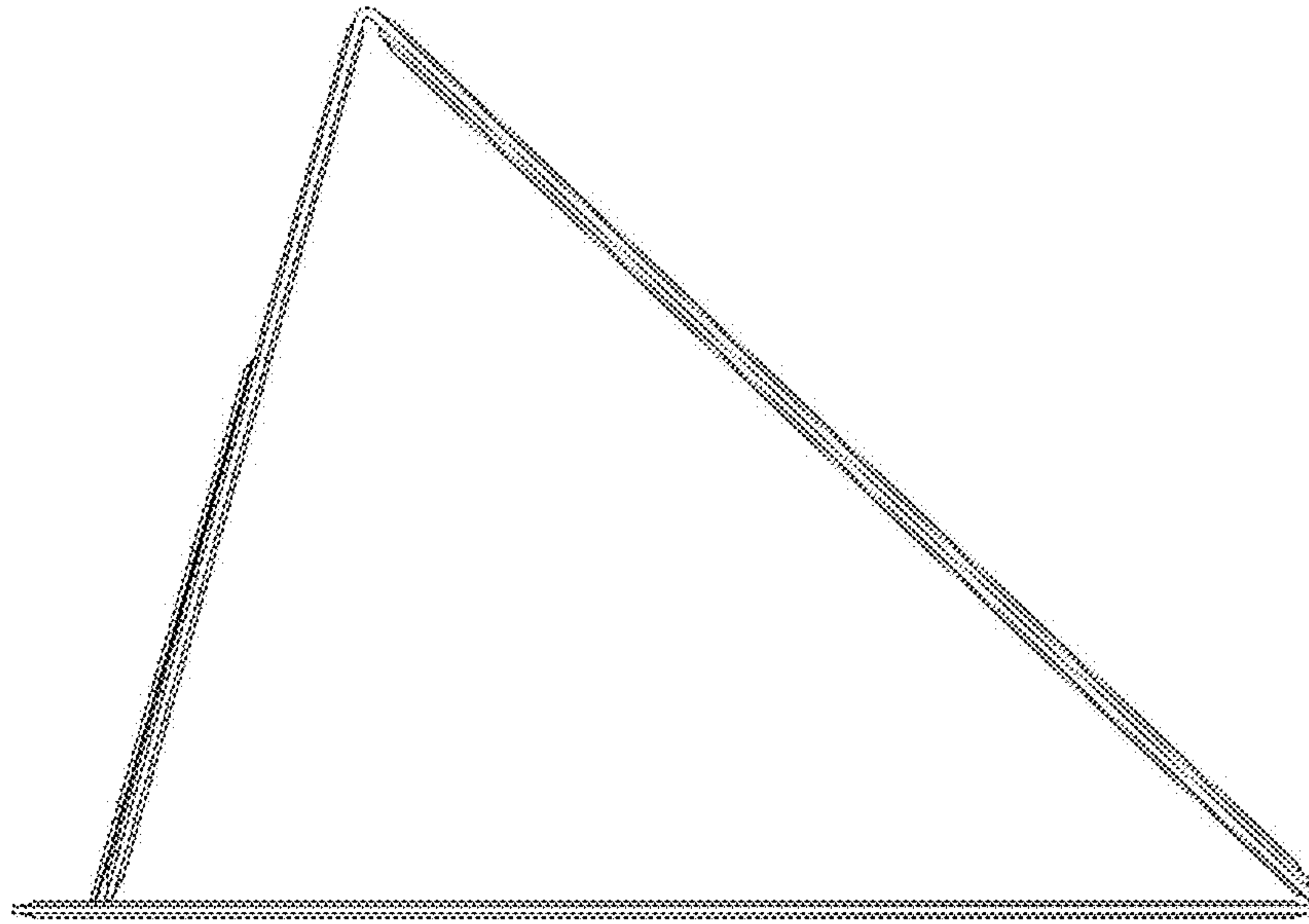


FIG. 29

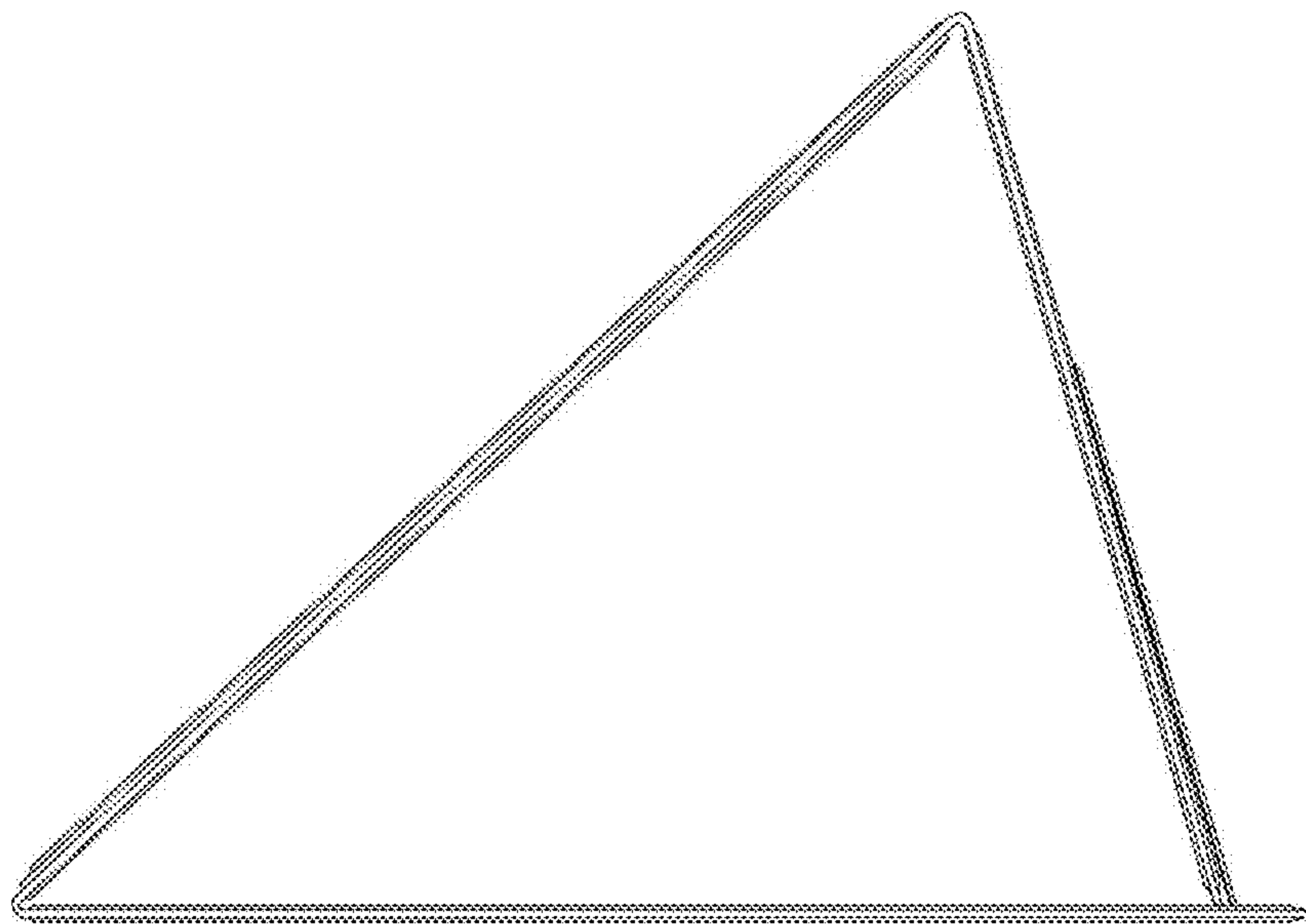


FIG. 30

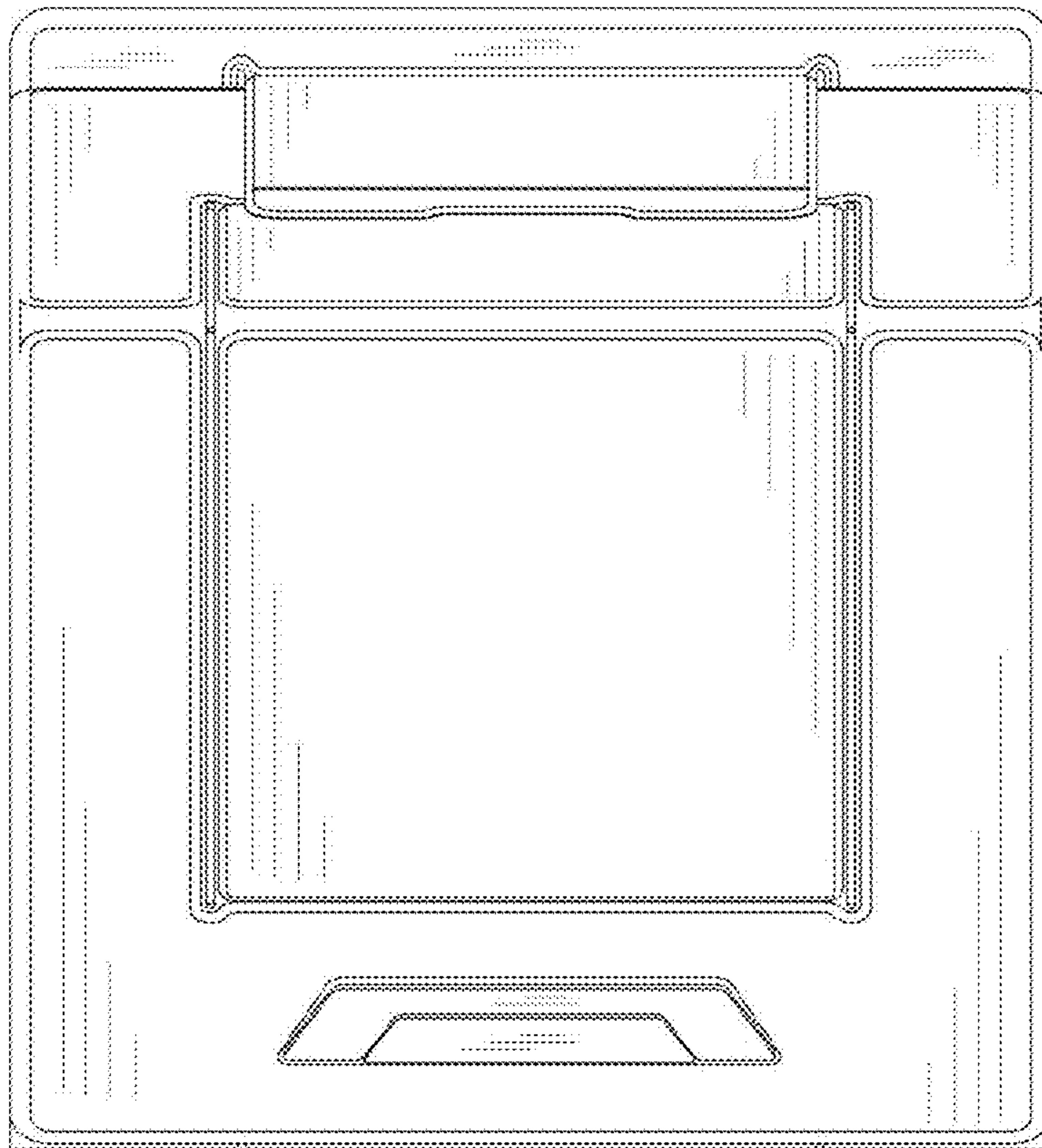


FIG. 31

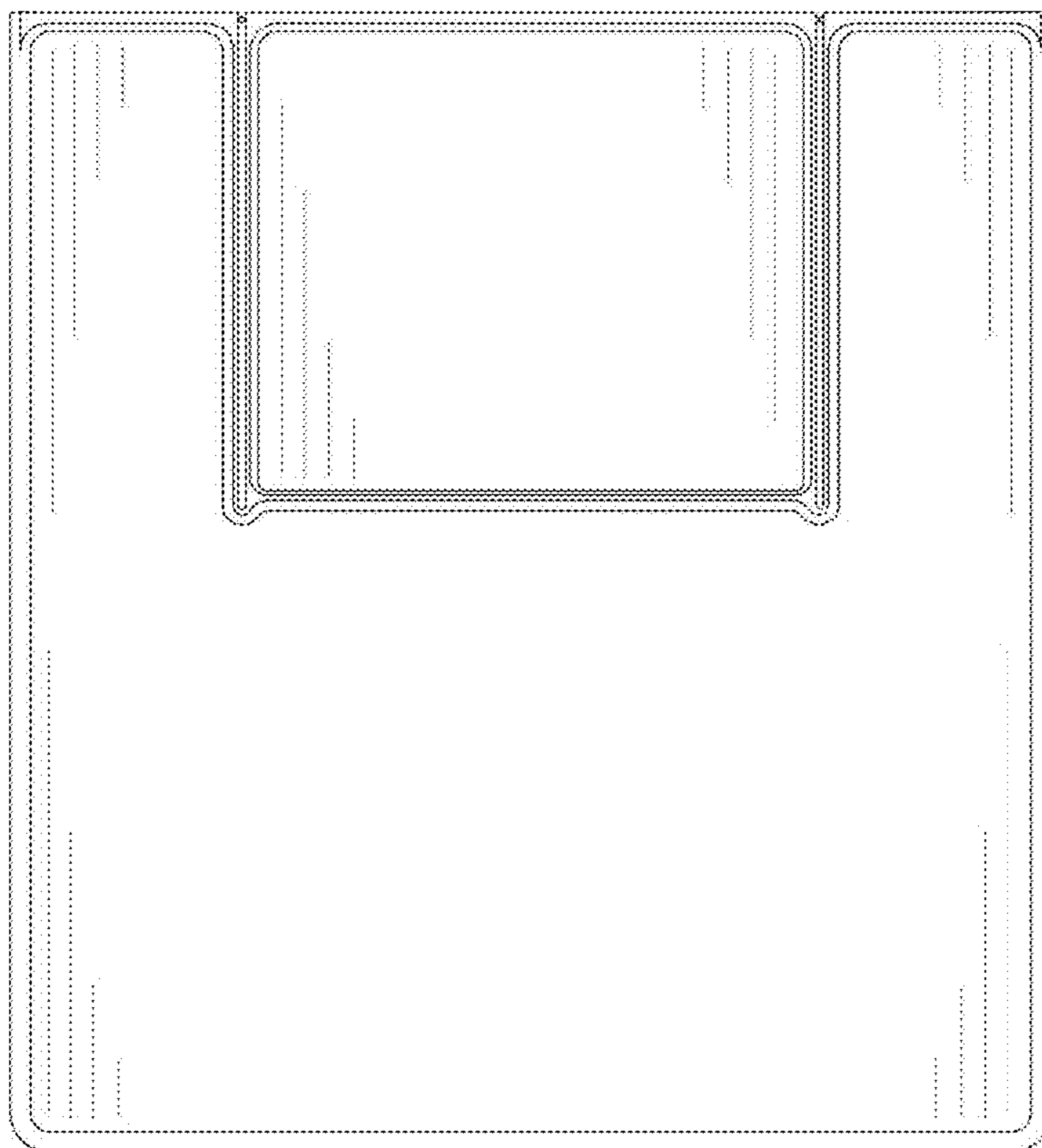


FIG. 32

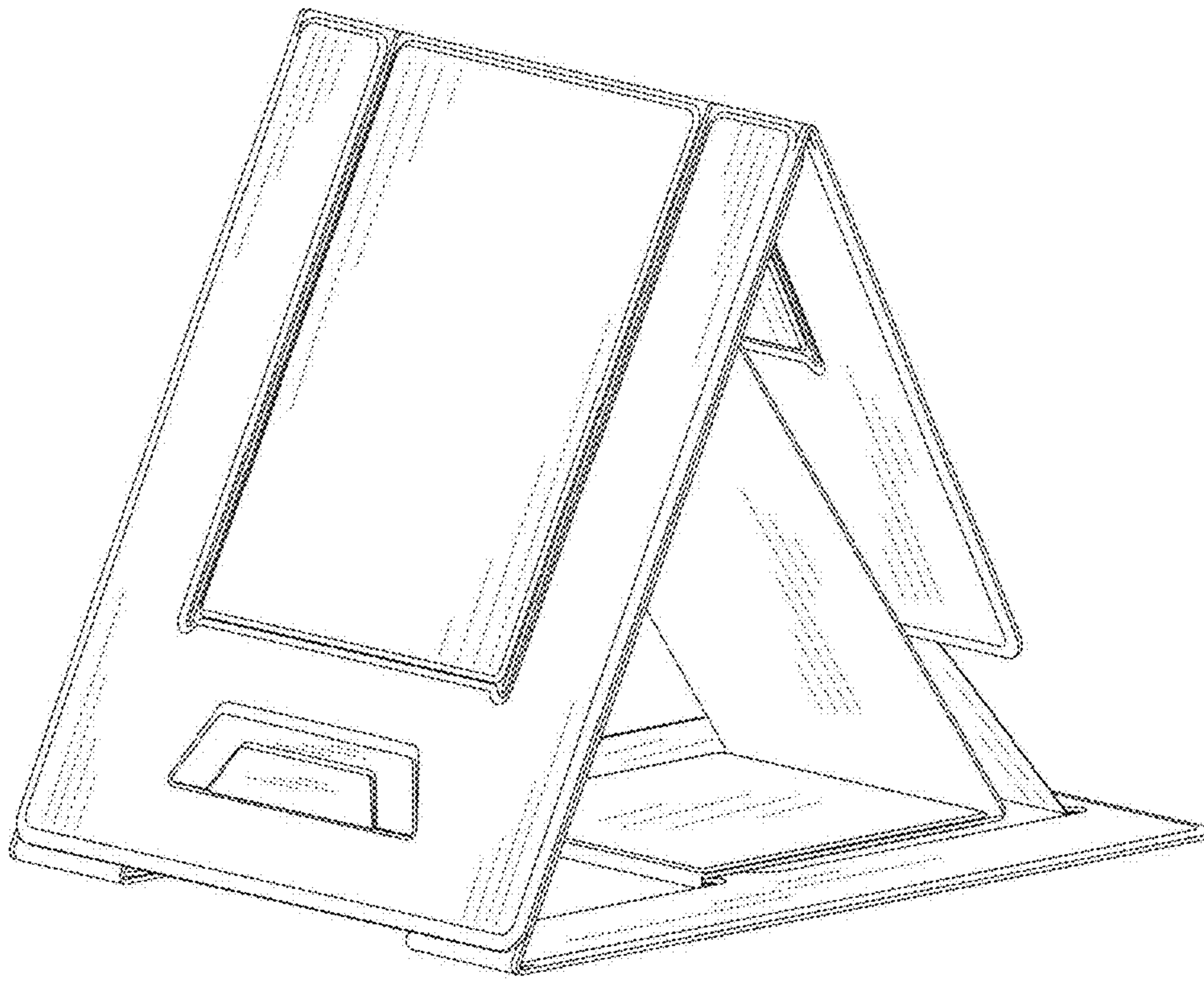


FIG. 33

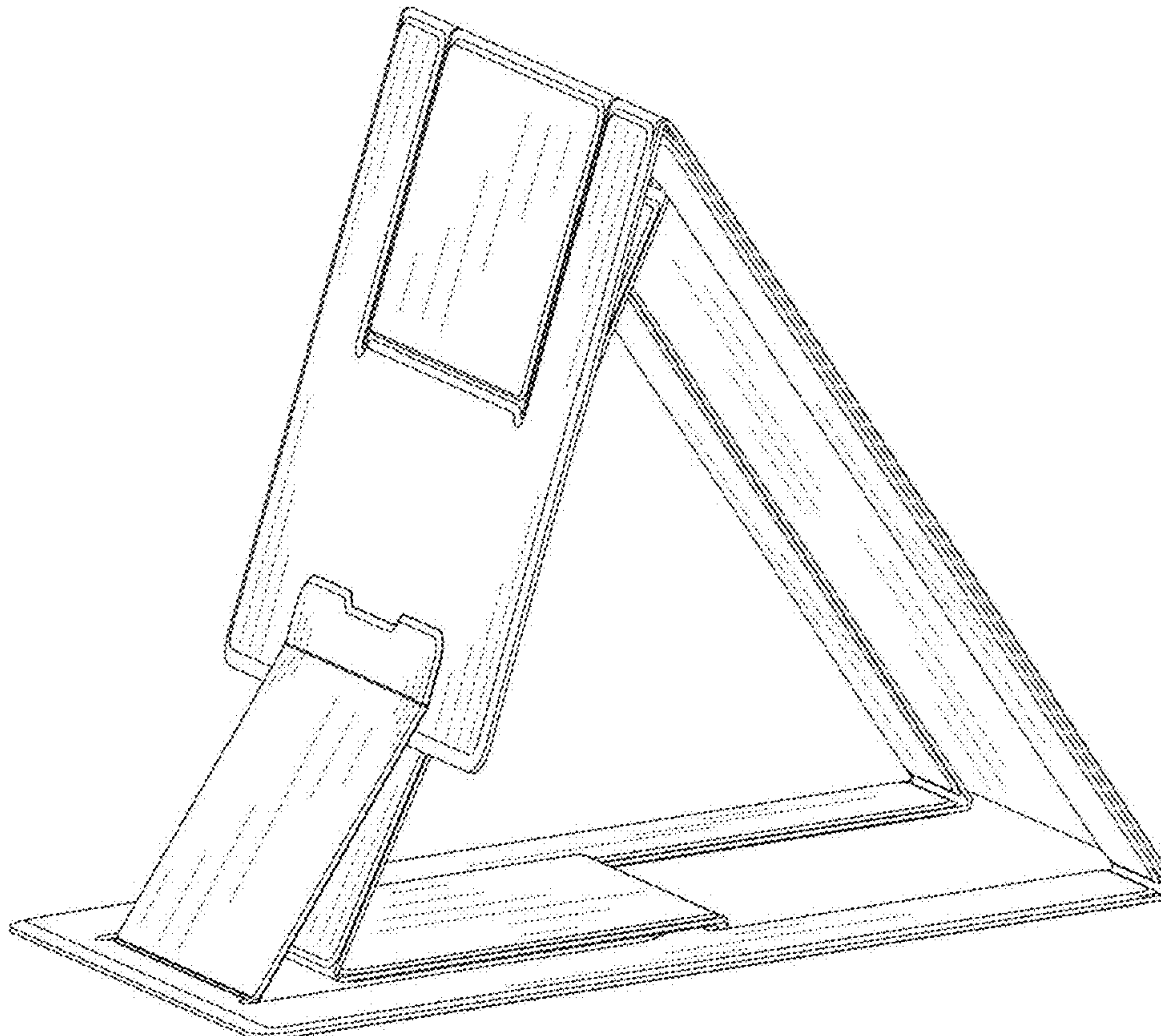


FIG. 34

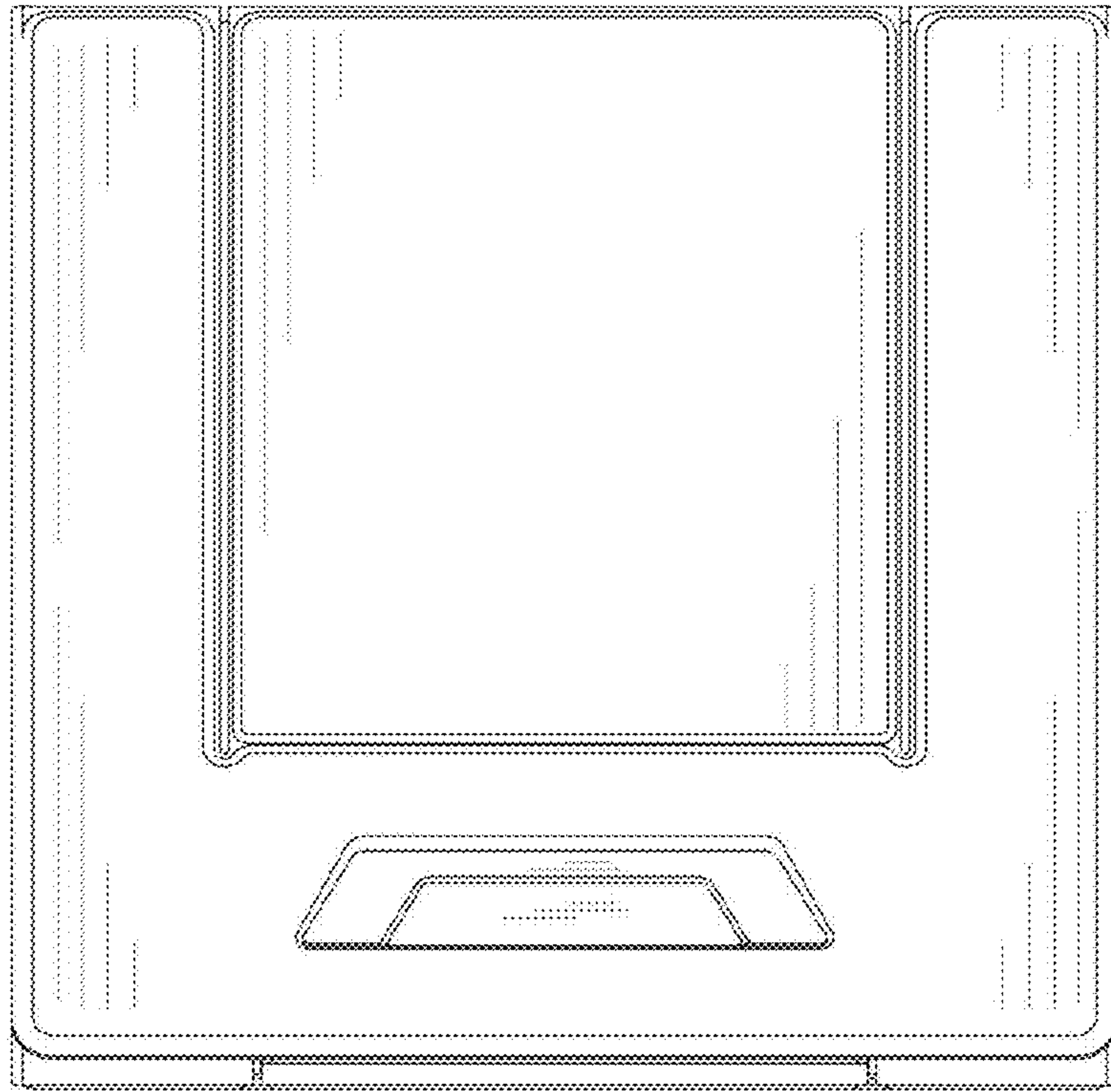


FIG. 35

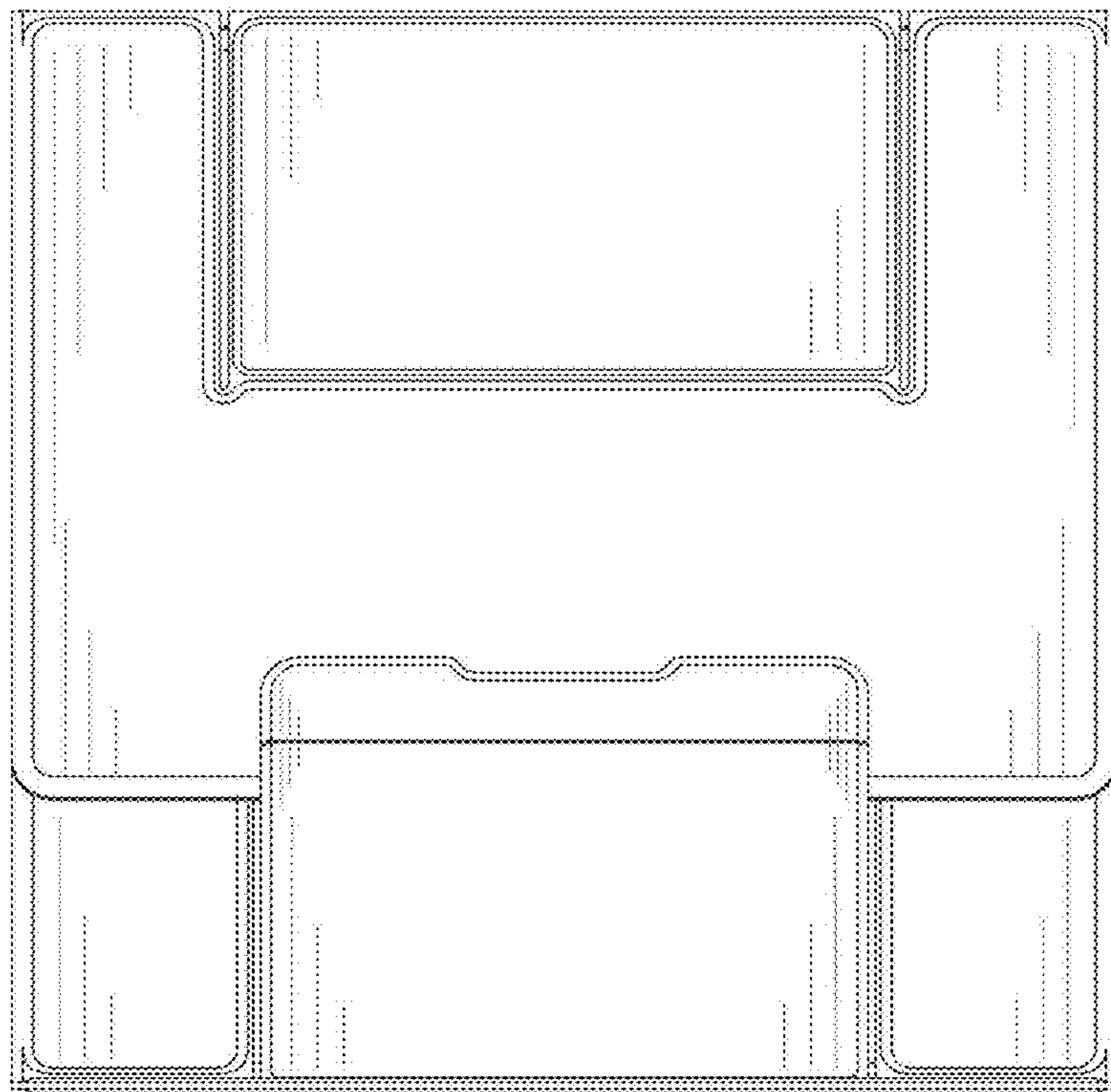


FIG. 36

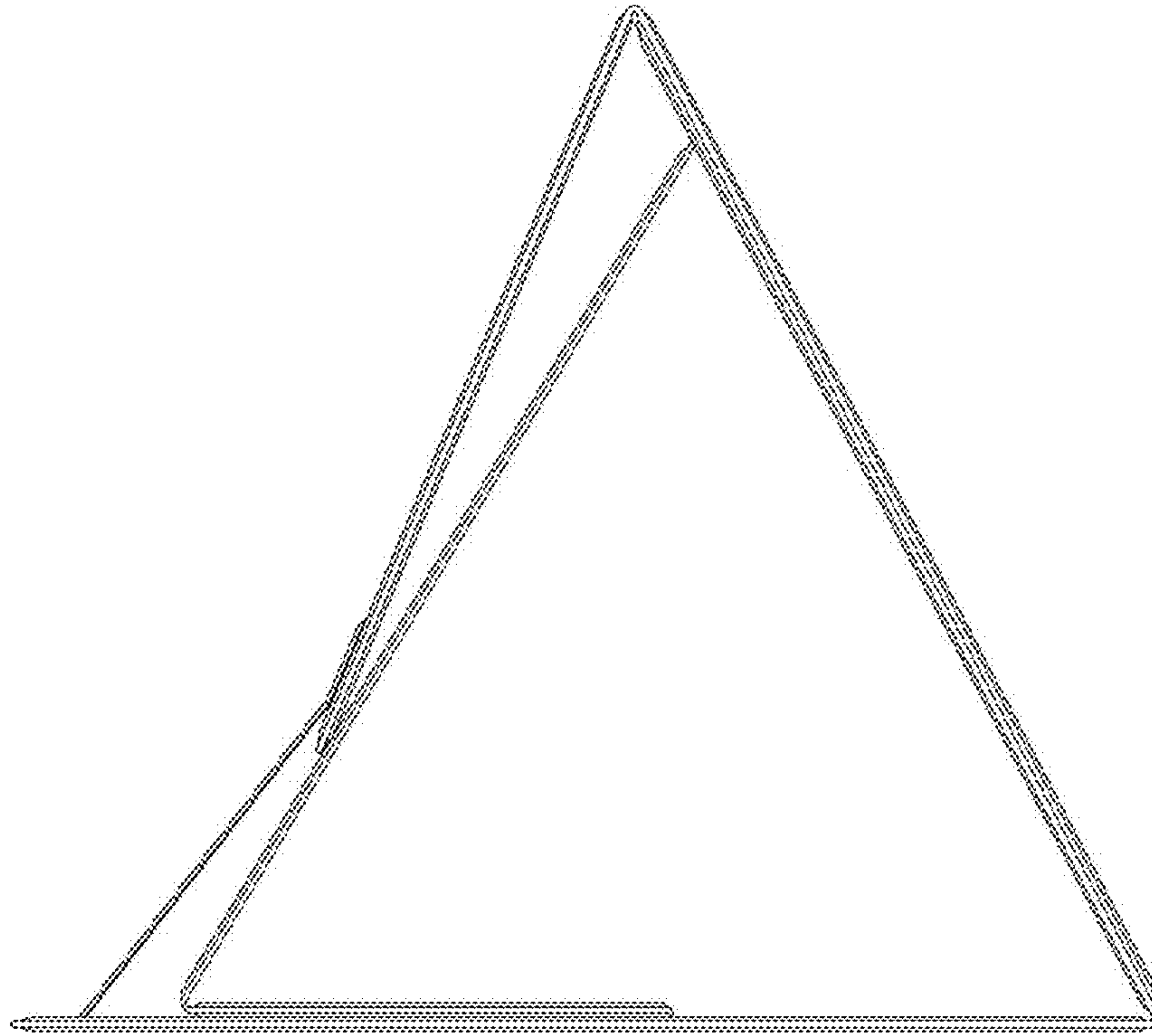


FIG. 37

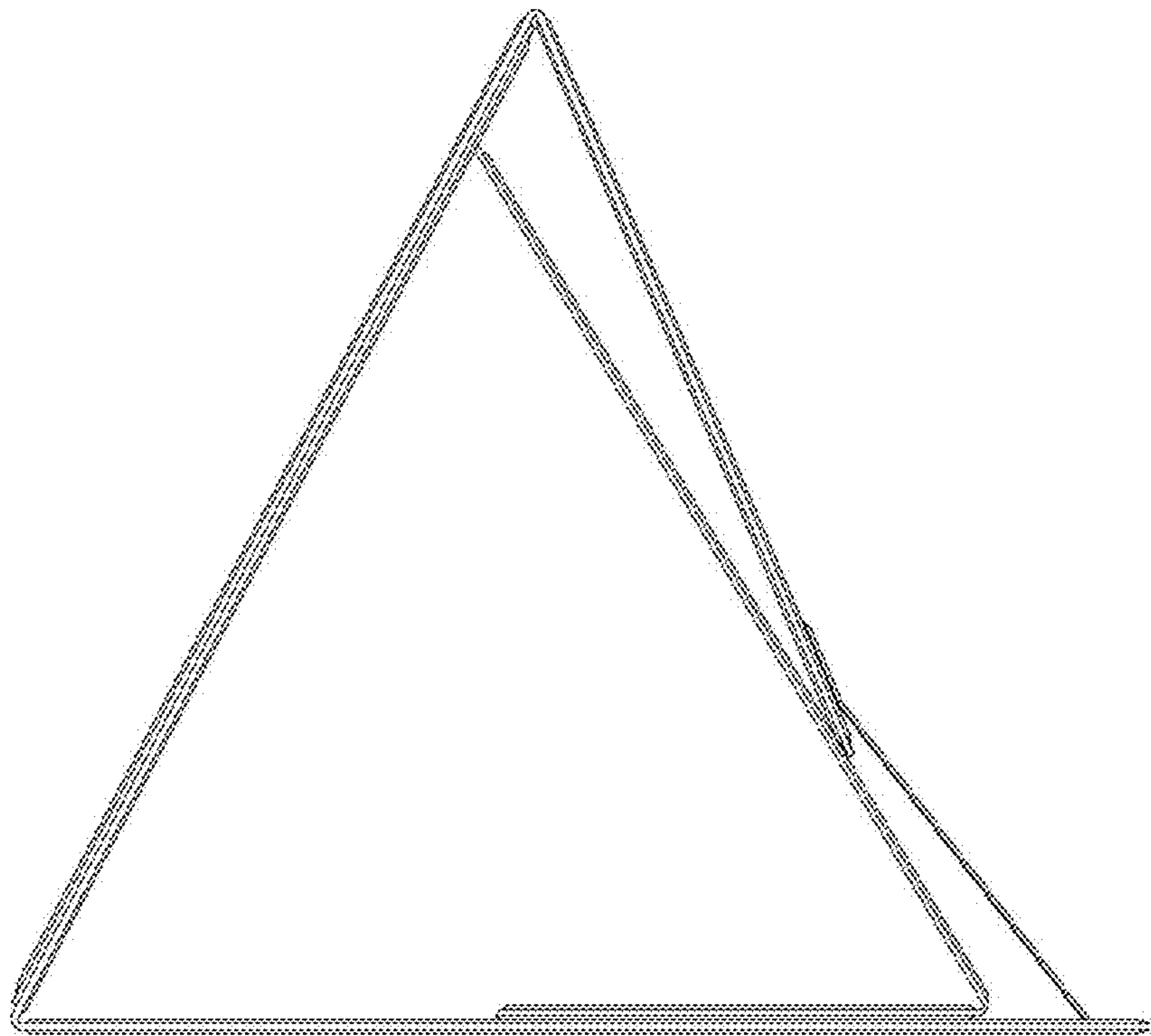


FIG. 38

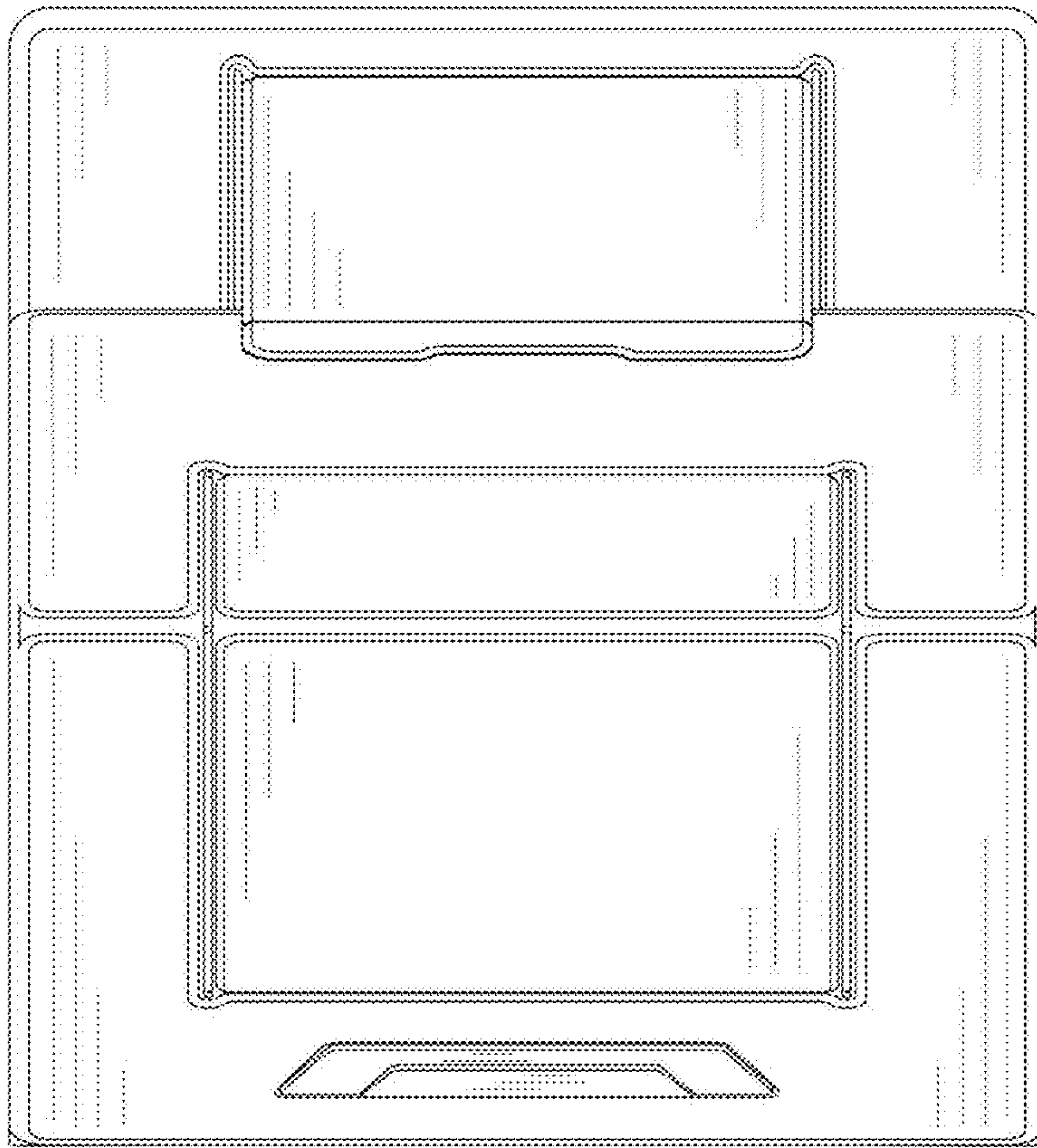


FIG. 39

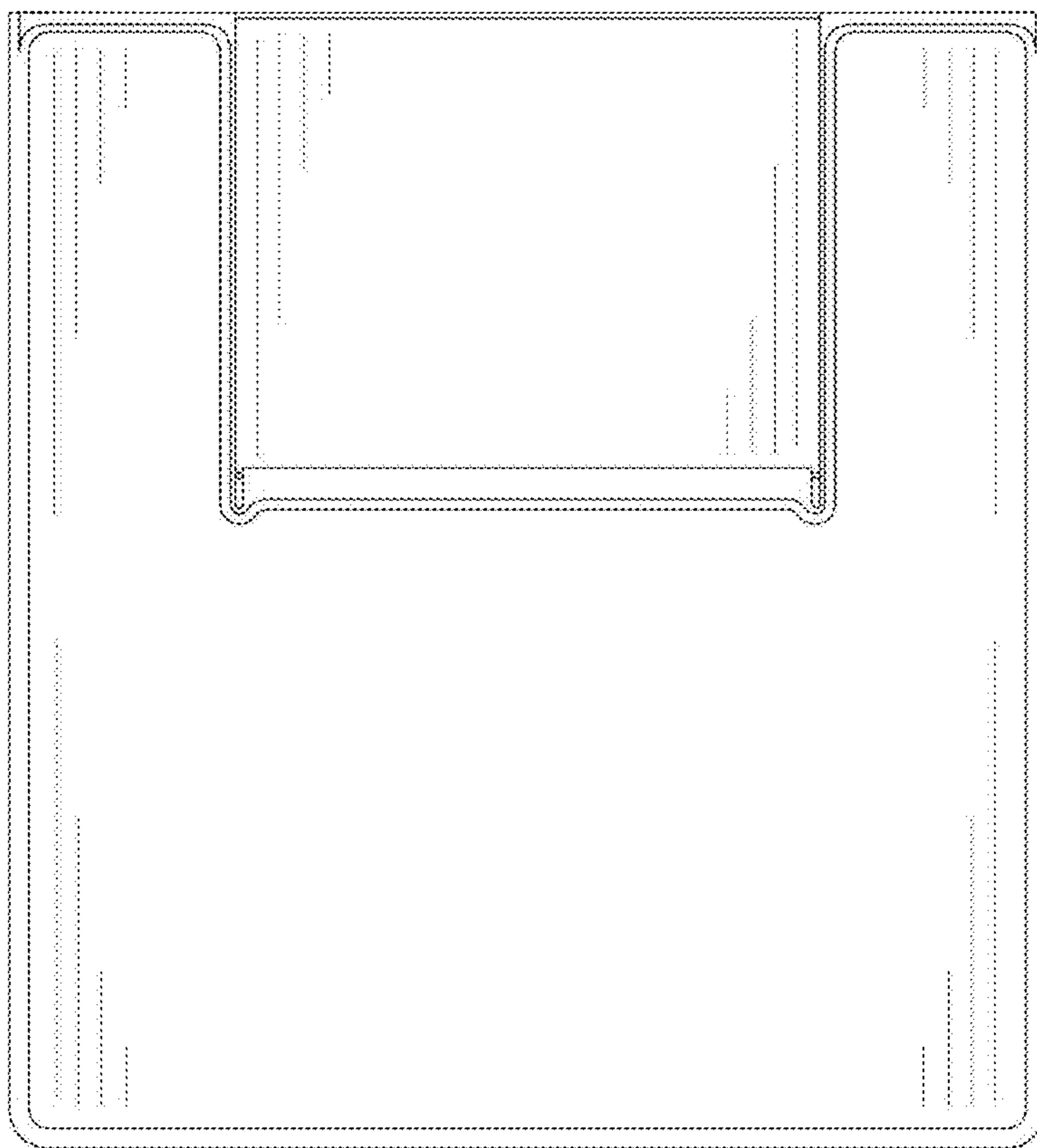


FIG. 40

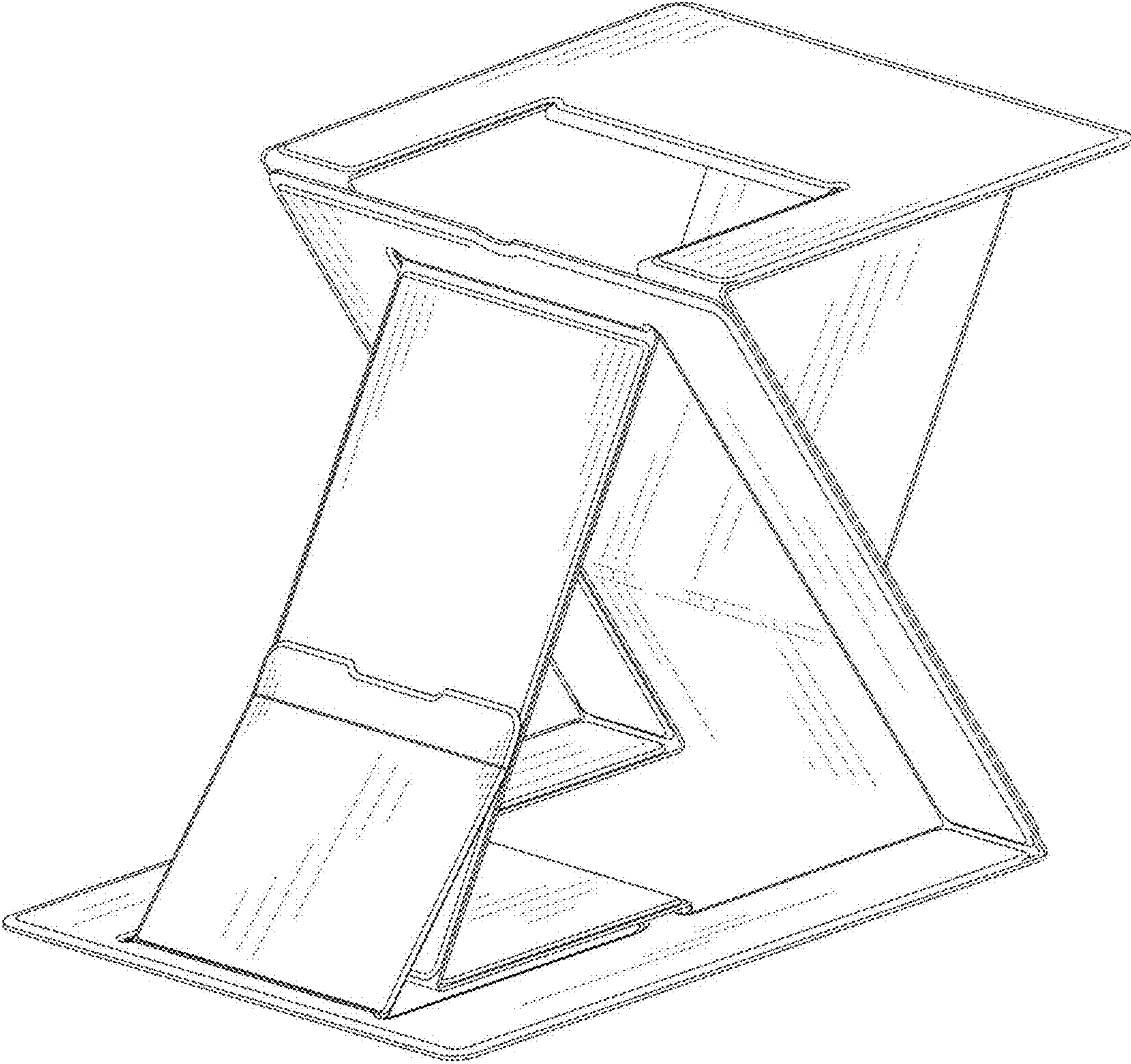


FIG. 41

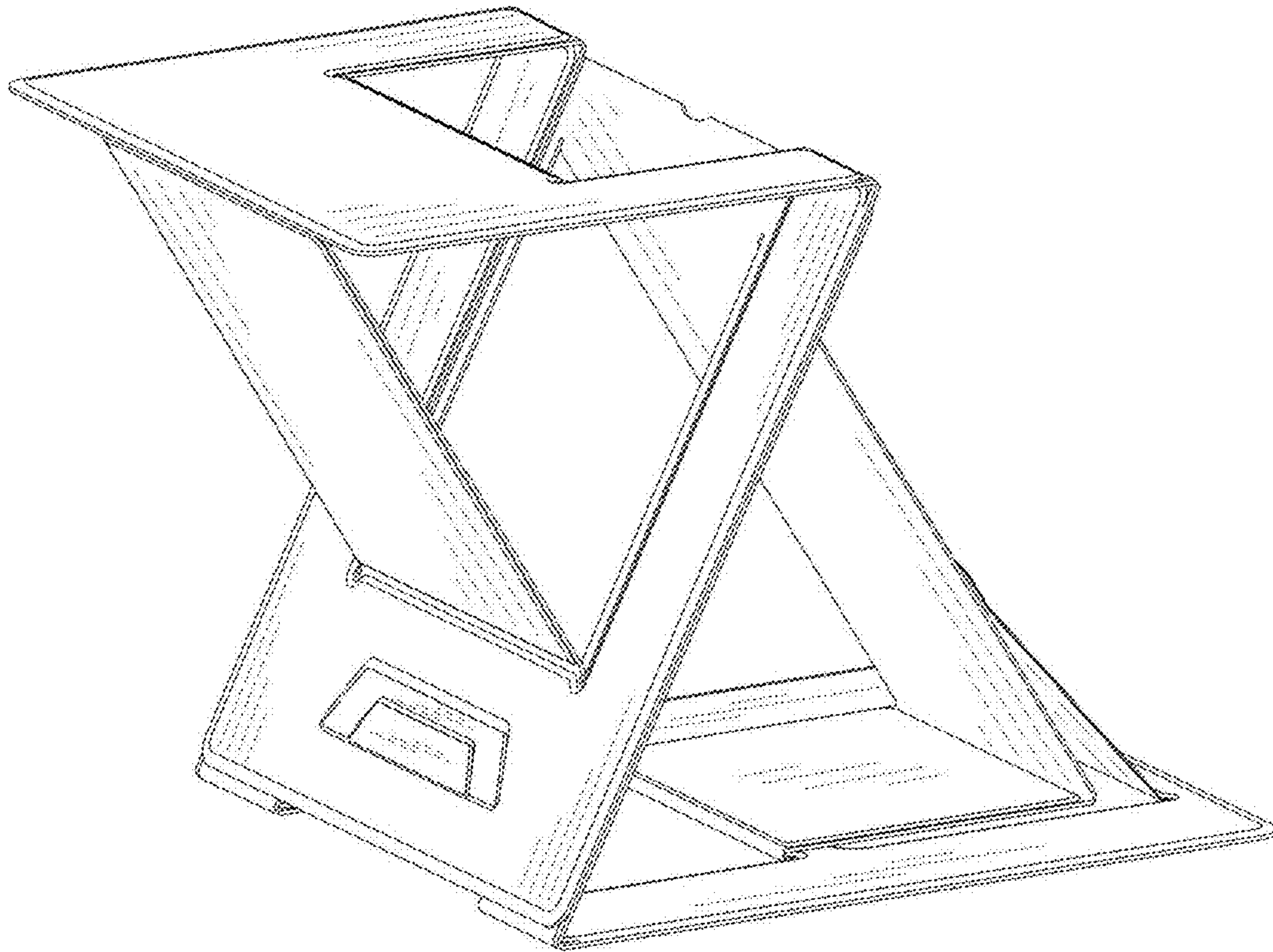


FIG. 42

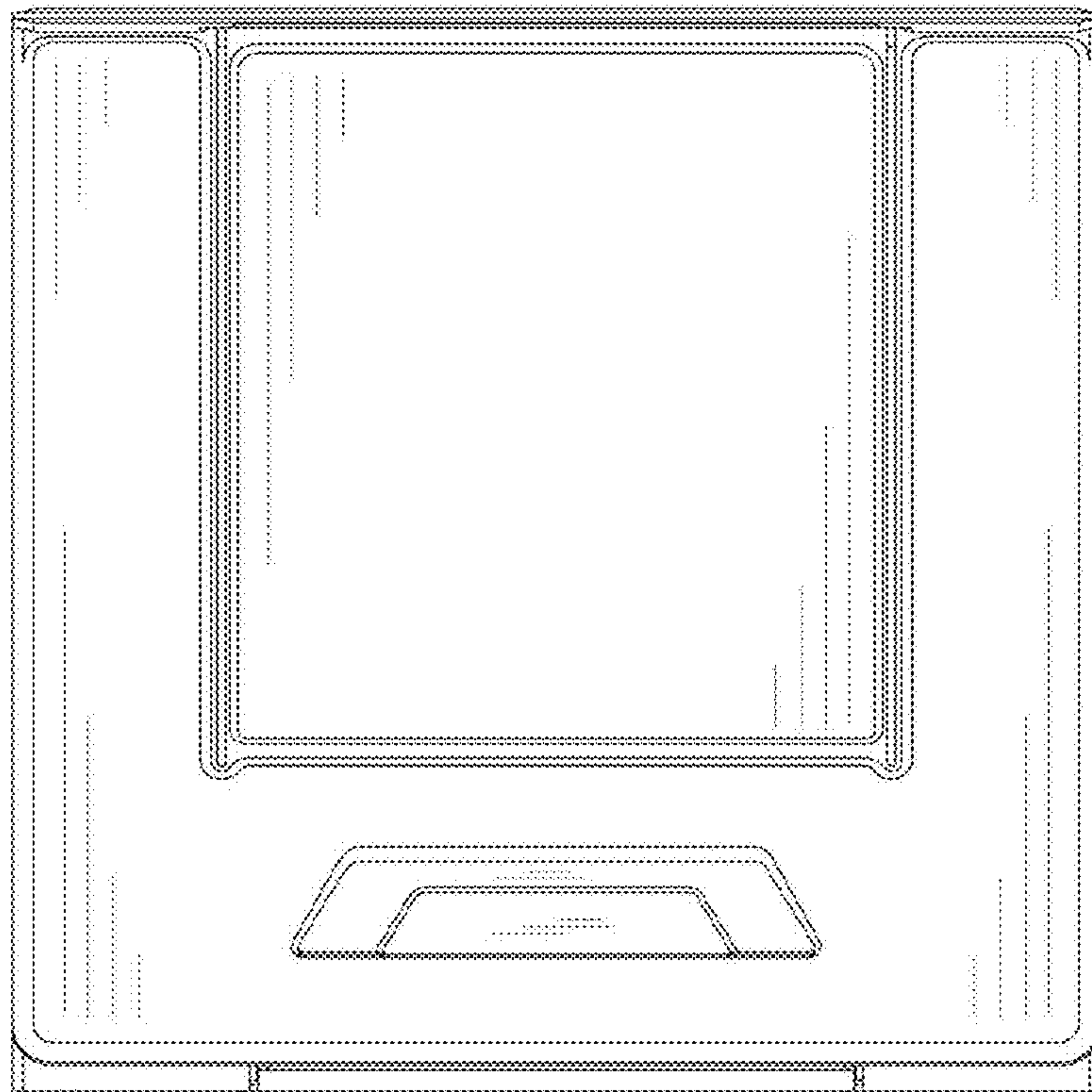


FIG. 43

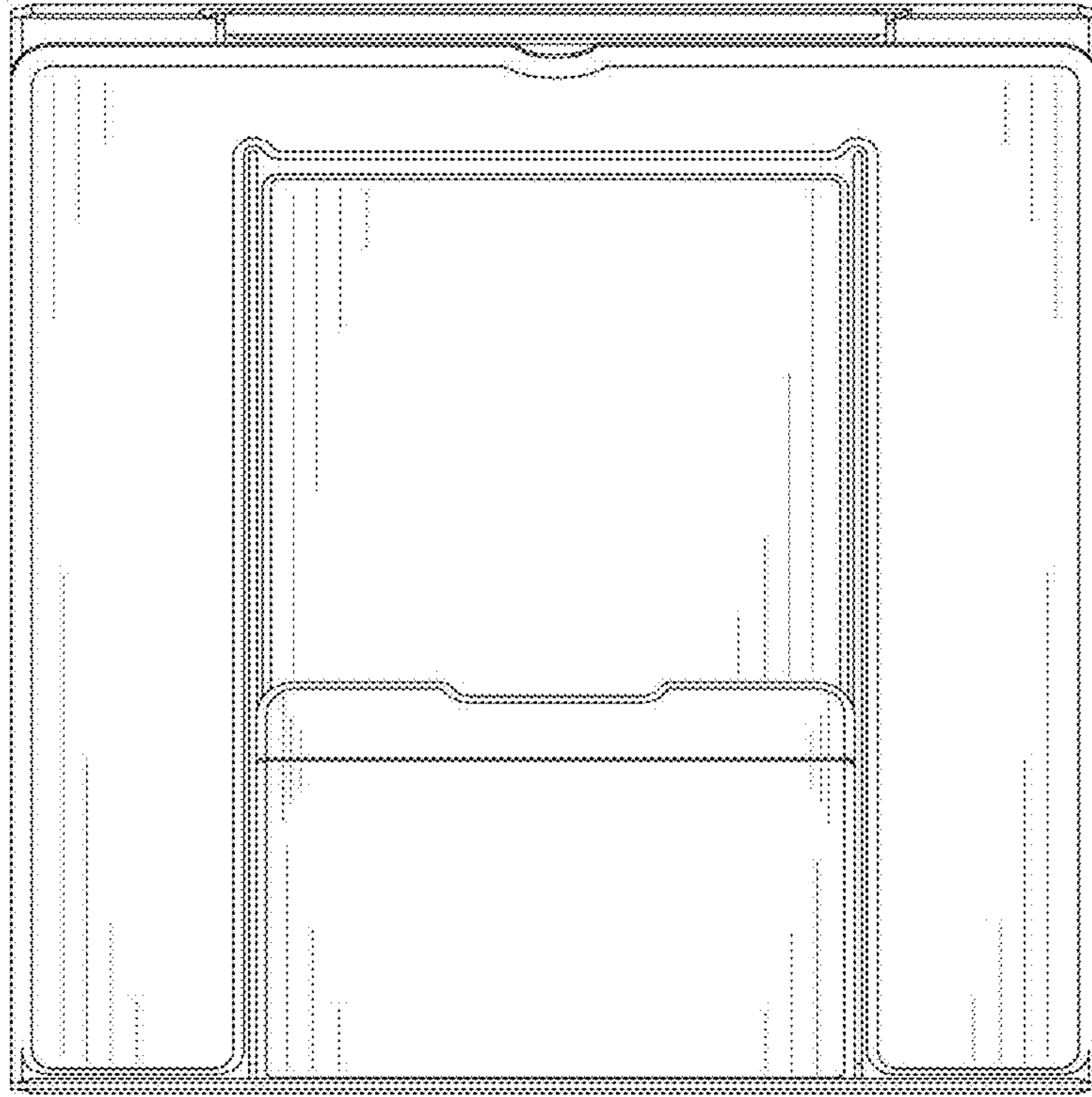


FIG. 44

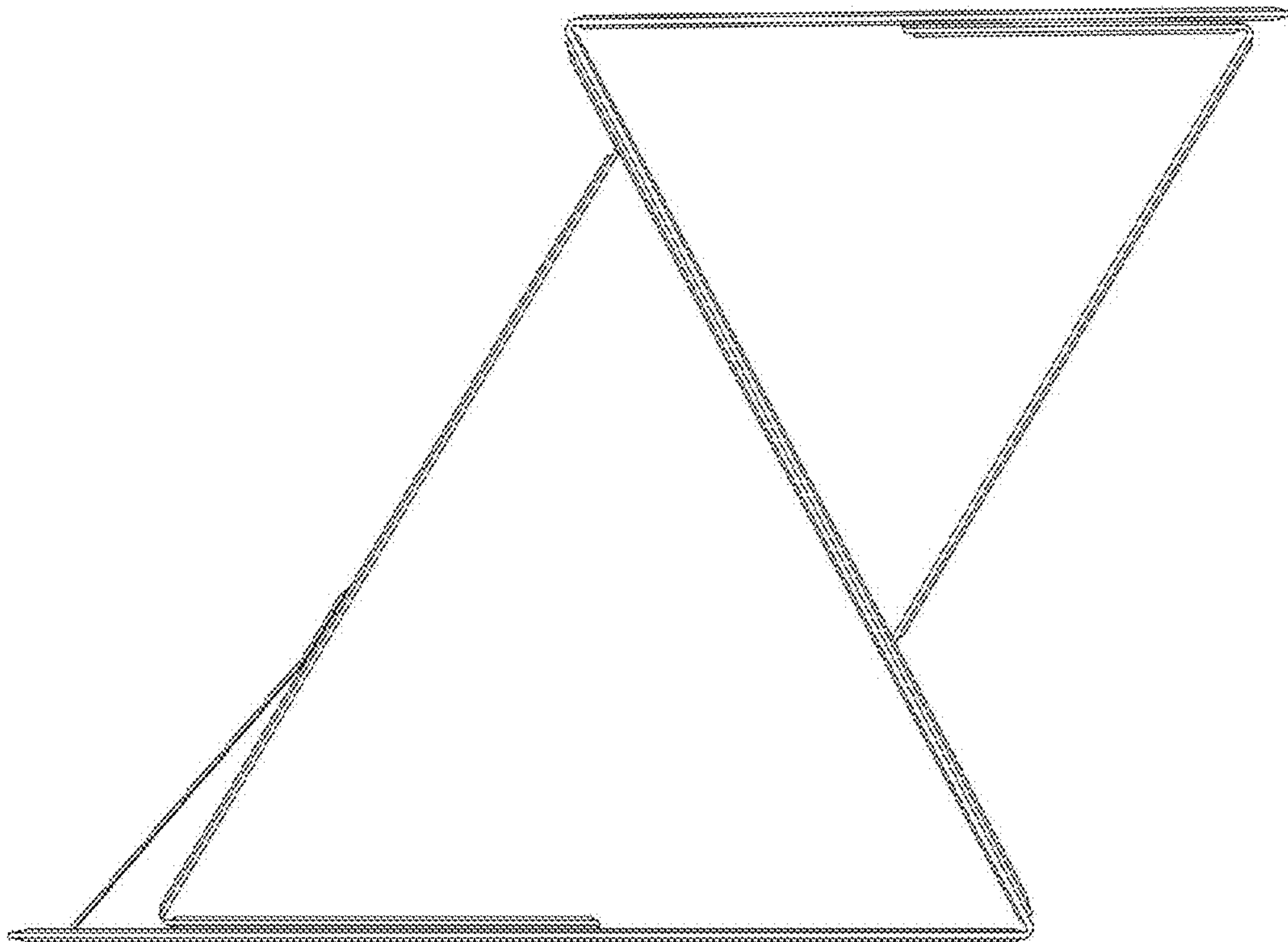


FIG. 45

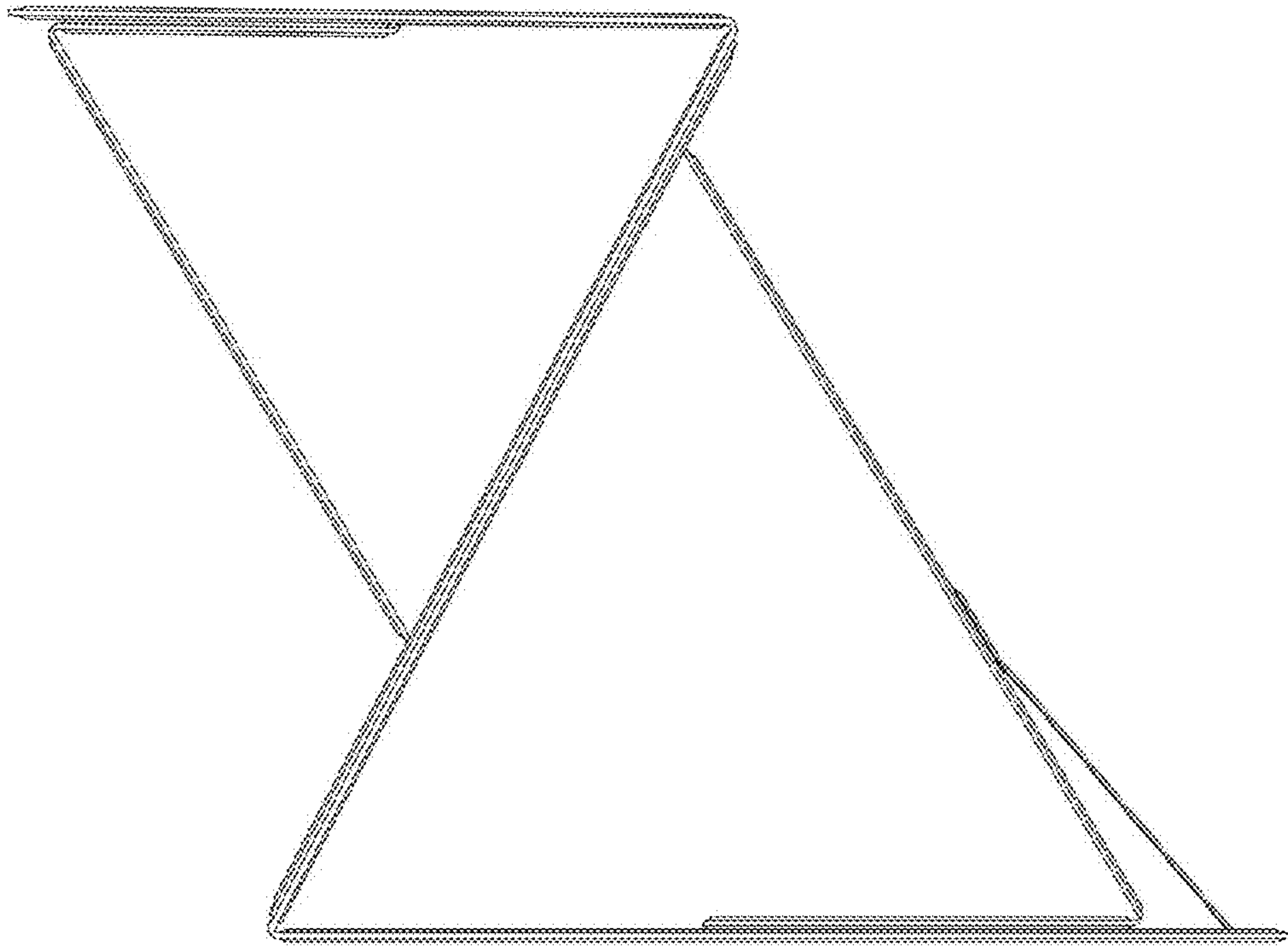


FIG. 46

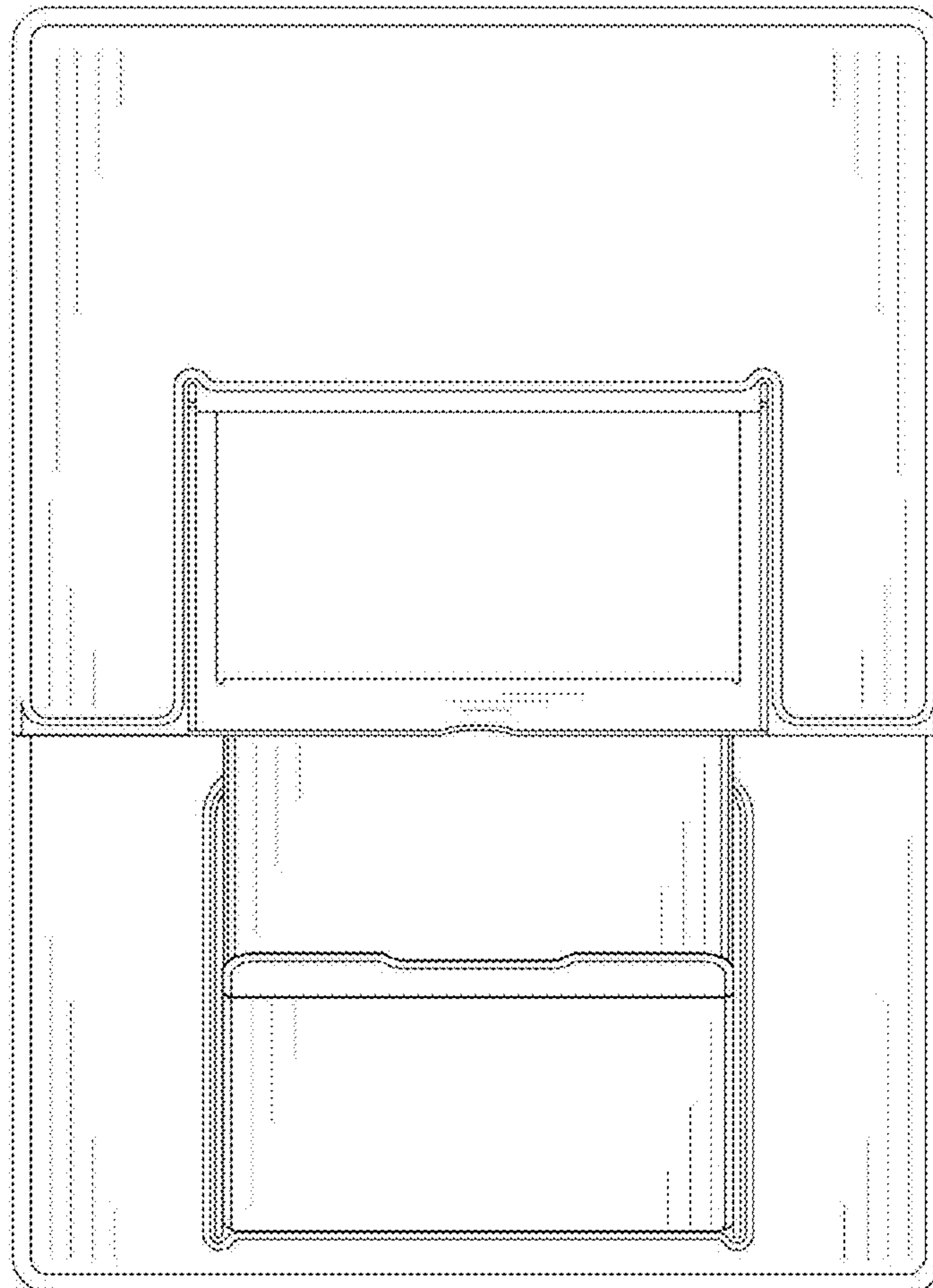


FIG. 47

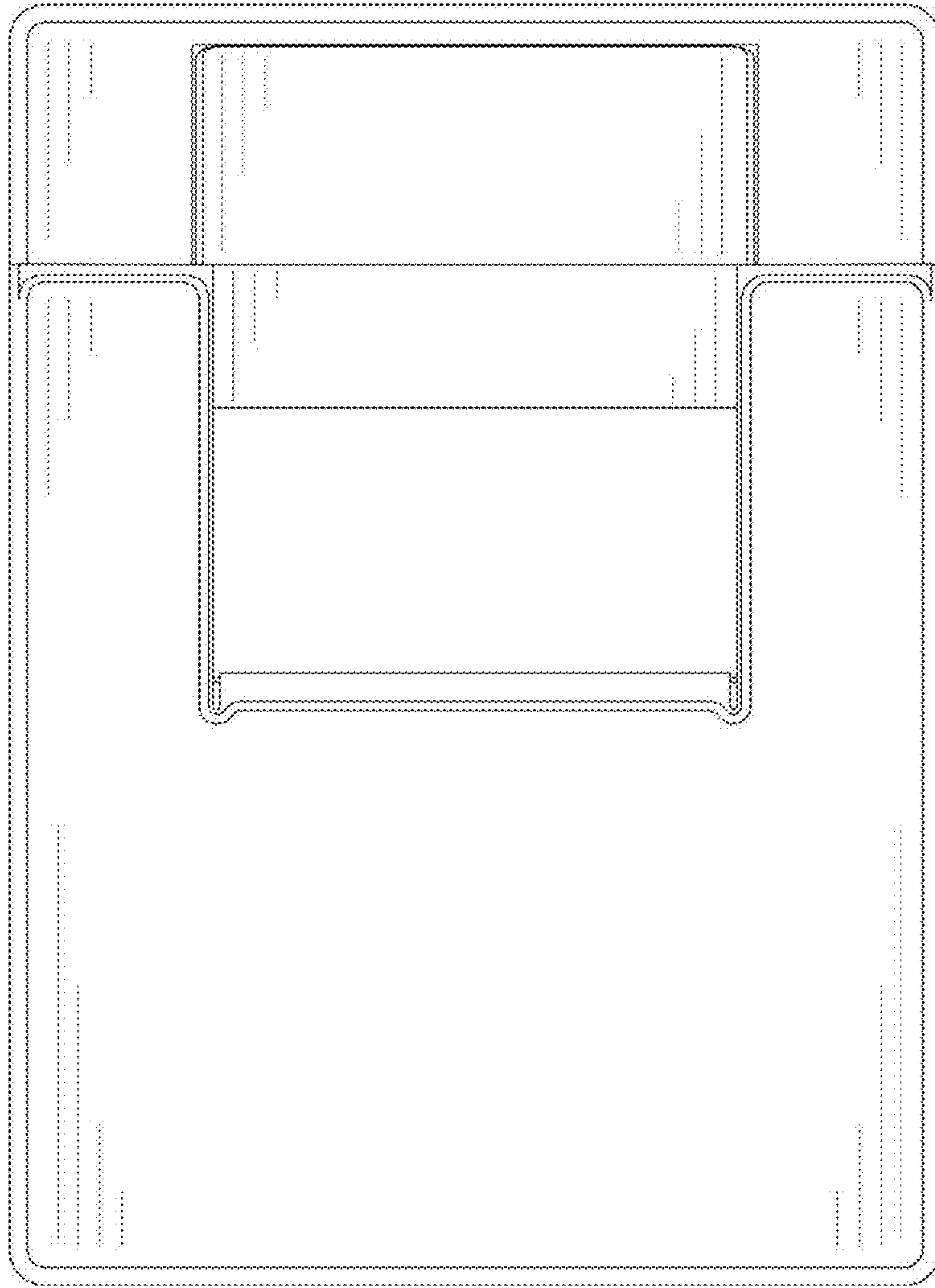


FIG. 48

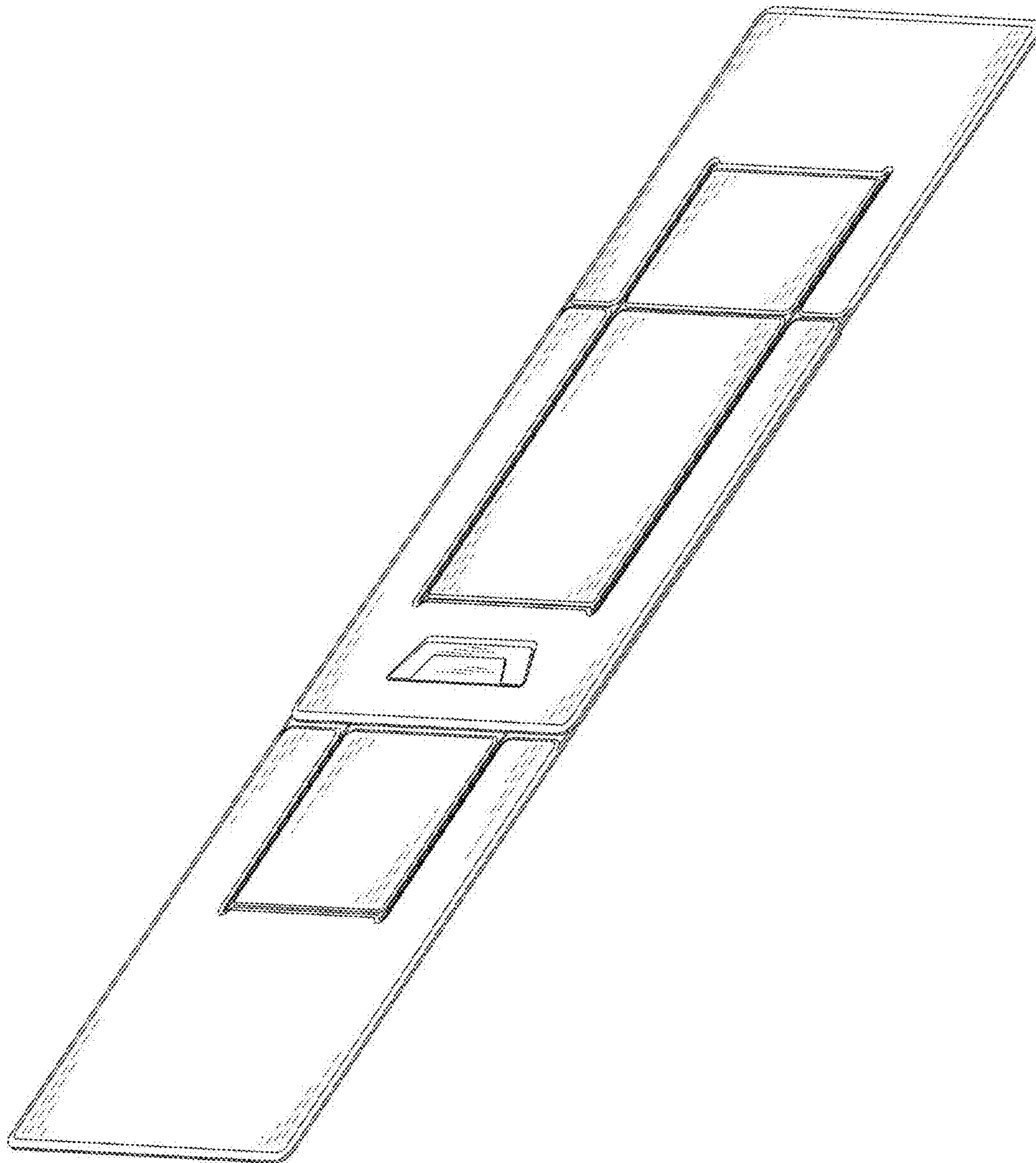


FIG. 49

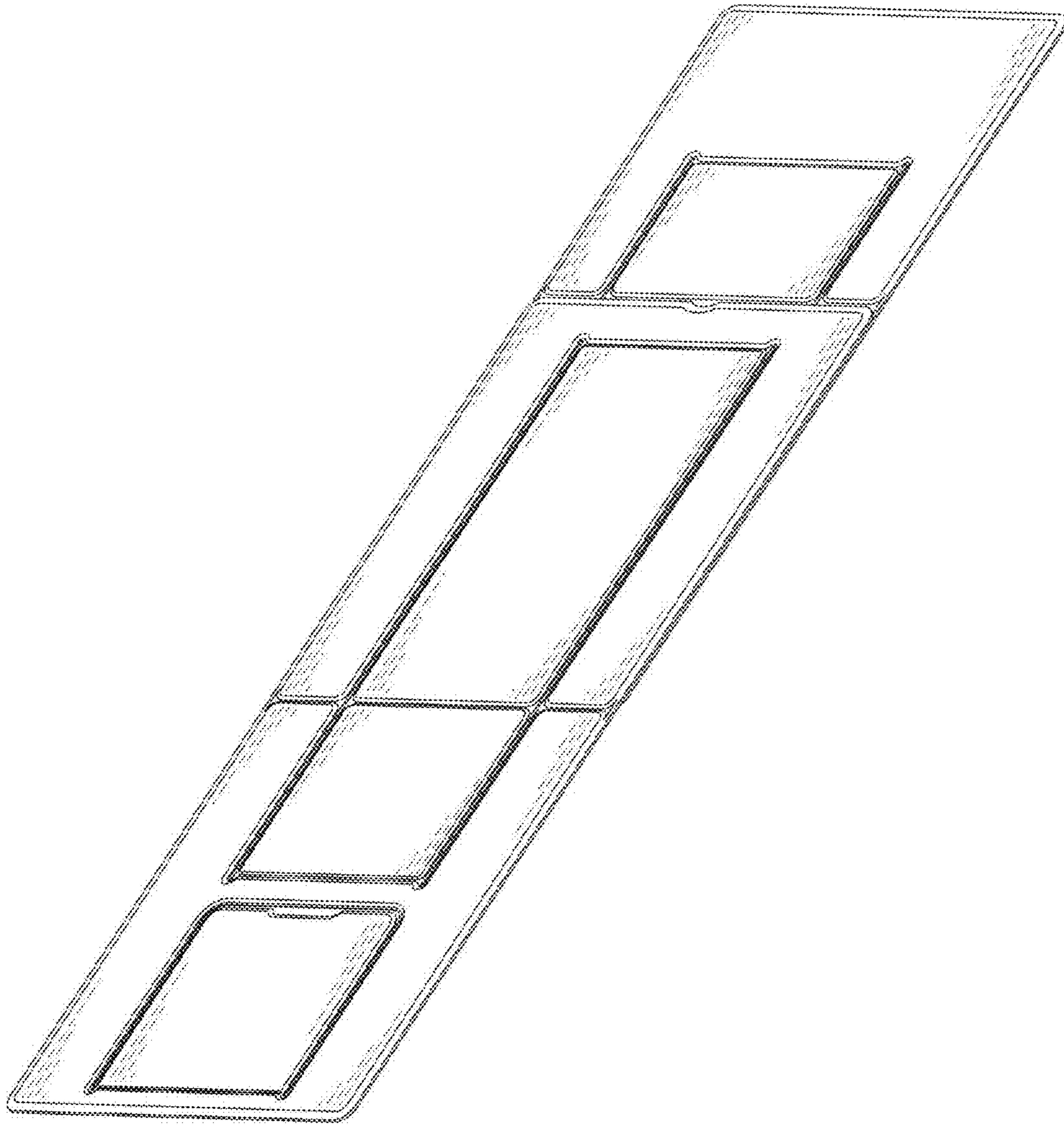


FIG. 50

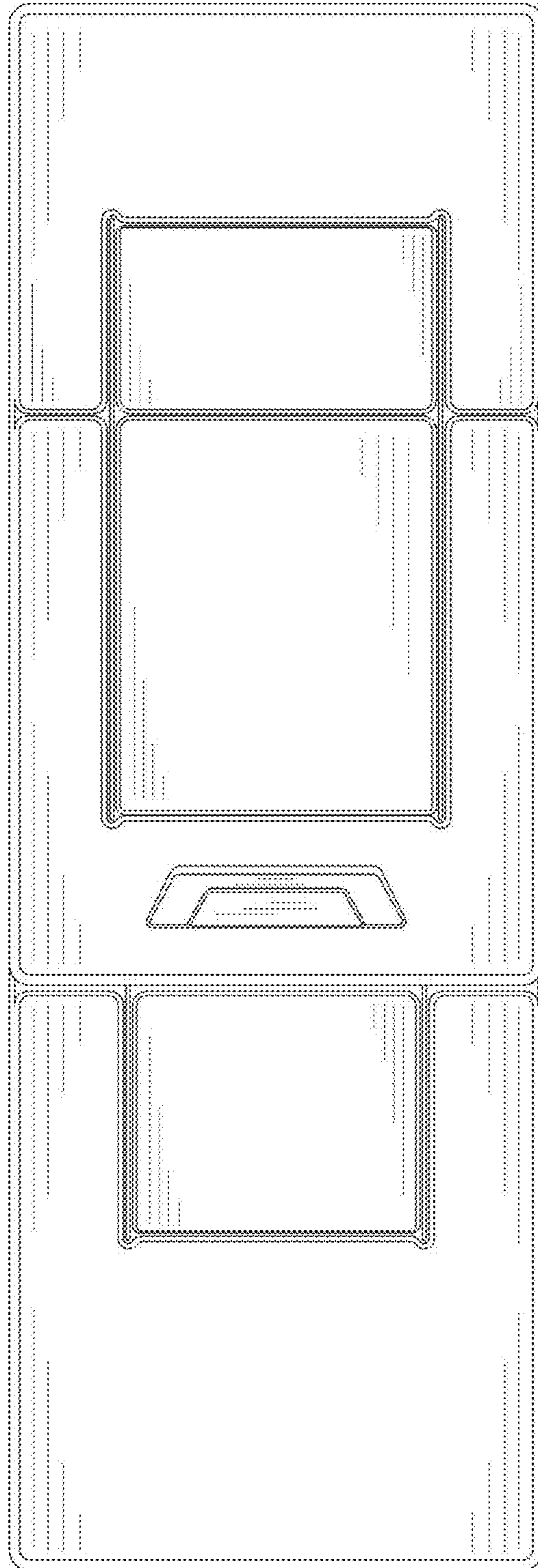


FIG. 51

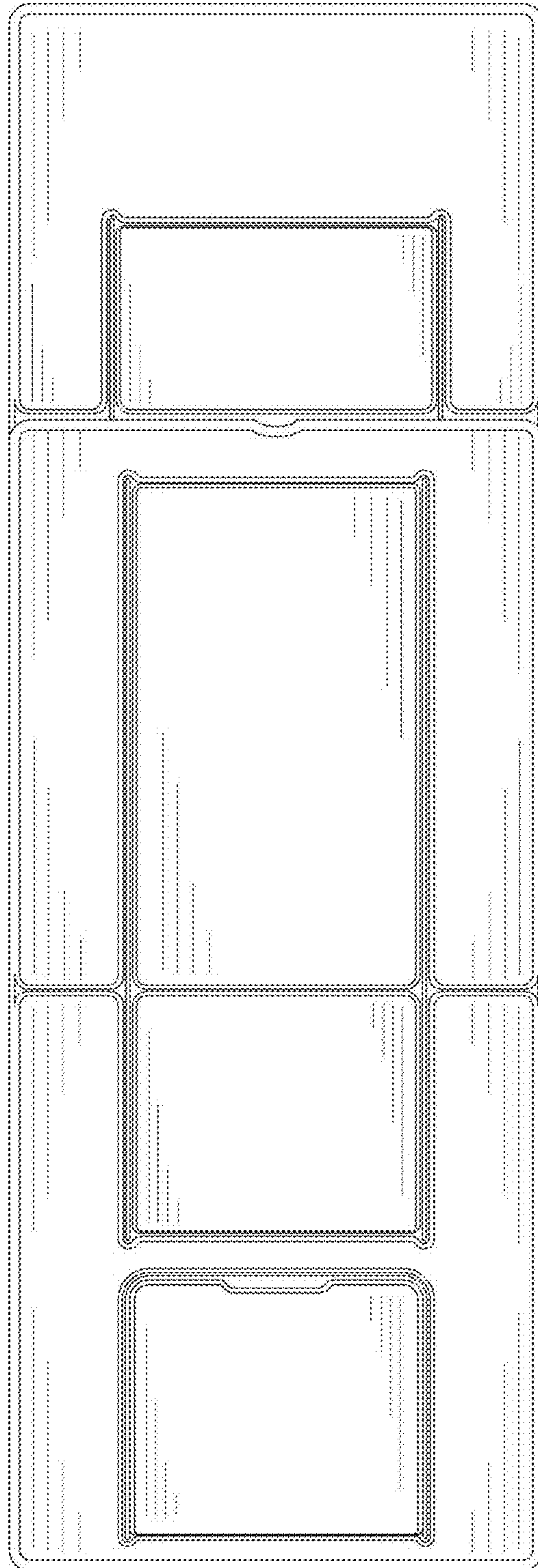


FIG. 52



FIG. 53



FIG. 54



FIG. 55



FIG. 56



FIG. 57

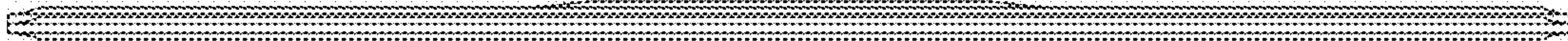


FIG. 58