



US00D936658S

(12) **United States Design Patent** (10) **Patent No.:** **US D936,658 S**
Zhang (45) **Date of Patent:** **** Nov. 23, 2021**

(54) **MULTI-FUNCTION HUB**
(71) Applicant: **C-SMARTLINK INFORMATION TECHNOLOGY CO., LIMITED**, Shenzhen (CN)
(72) Inventor: **Wenfeng Zhang**, Shenzhen (CN)
(73) Assignee: **C-SMARTLINK INFORMATION TECHNOLOGY CO., LIMITED**, Shenzhen (CN)

D864,964 S * 10/2019 Lyu D14/433
D866,557 S * 11/2019 Xiong D14/433
D882,578 S * 4/2020 Zhang D14/433
D885,393 S * 5/2020 Duan D14/433
D886,105 S * 6/2020 Duan D14/433
D890,759 S * 7/2020 Fan D14/433
D899,363 S * 10/2020 Wu D13/110
D900,111 S * 10/2020 Wu D14/433
D919,627 S * 5/2021 Turksu D14/433
D925,540 S * 7/2021 Feng D14/433

(**) Term: **15 Years**
(21) Appl. No.: **29/733,158**
(22) Filed: **Apr. 30, 2020**
(51) **LOC (13) Cl.** **14-99**
(52) **U.S. Cl.**
USPC **D14/433**
(58) **Field of Classification Search**
USPC ... D14/432, 433, 434, 435, 435.1, 436, 439, D14/480.1-480.7, 484.1, 203.1-203.8, D14/240, 242; D13/107, 108
CPC G06F 13/122; G06F 13/382; G06F 13/385; G06F 13/4022; G06F 13/4282; G06F 1/1632; G06F 1/1684; H01R 25/006; H05K 5/0278; G06K 19/07732
See application file for complete search history.

OTHER PUBLICATIONS

C-Smartlink UC3501 7 Ports USB-C Hub MST for MacBook only Dual HDMI . . . [online]. Original publication date unknown. [Retrieved from the Internet Aug. 9, 2021.] <URL: <https://www.c-smartlink.com/product-uc3501.html> >.*

* cited by examiner

Primary Examiner — Rebekah A Caruso

(57) **CLAIM**

The ornamental design for a multi-function hub, as shown and described.

DESCRIPTION

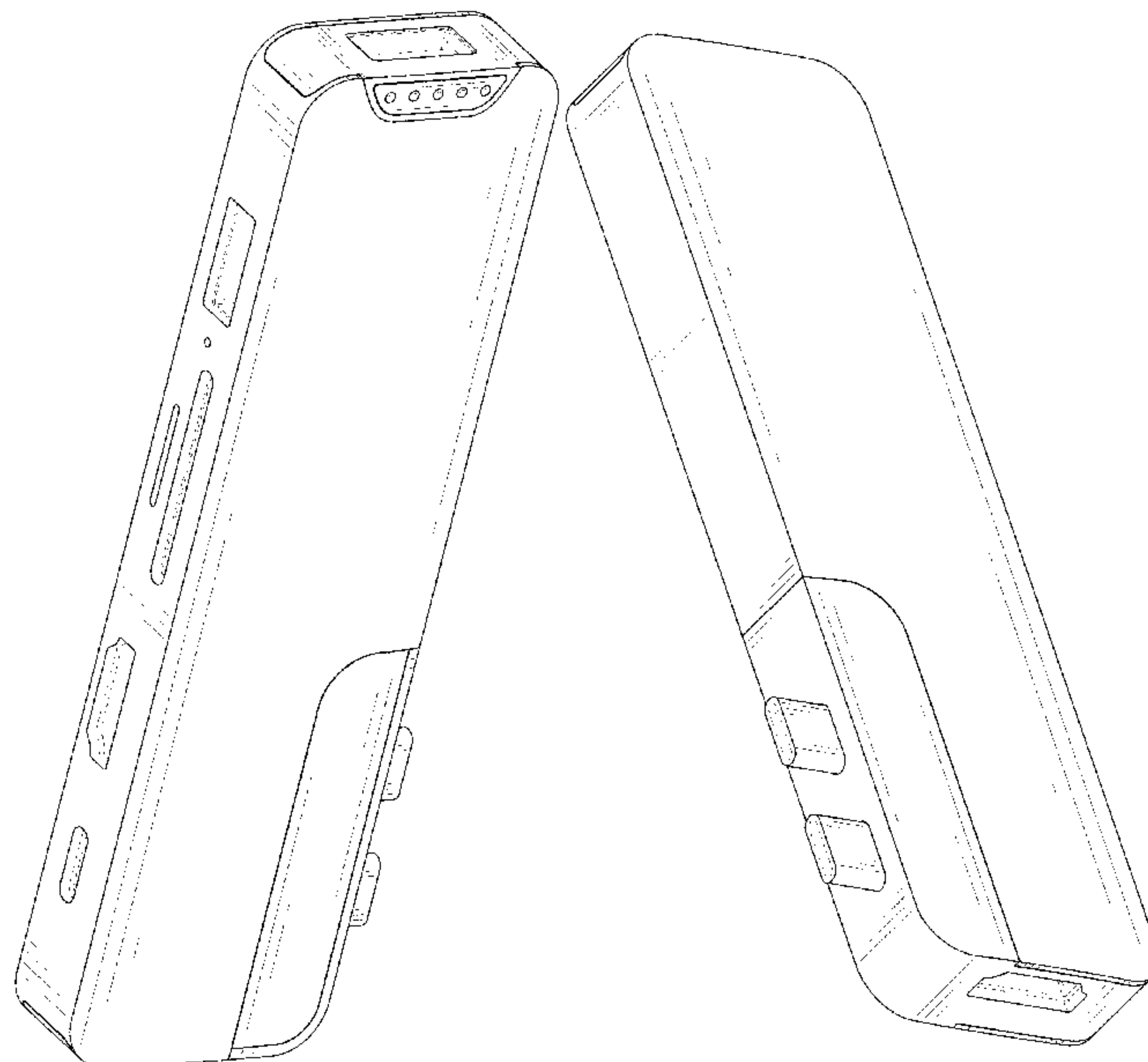
FIG. 1 is a perspective view of a multi-function hub showing my new design;
FIG. 2 is another perspective view thereof;
FIG. 3 is a front elevational view thereof;
FIG. 4 is a rear elevational view thereof;
FIG. 5 is a left side elevational view thereof;
FIG. 6 is a right side elevational view thereof;
FIG. 7 is a top plan view thereof; and,
FIG. 8 is a bottom plan view thereof.
The broken lines in the drawings are for the purpose of illustrating portions of the multi-function hub that form no part of the claimed design.

(56) **References Cited**

U.S. PATENT DOCUMENTS

D813,875 S * 3/2018 Liao D14/434
D828,839 S * 9/2018 Zhang D14/433
D844,618 S * 4/2019 Liao D14/434
D854,544 S * 7/2019 Liao D14/434
D855,616 S * 8/2019 Chin D14/433
D862,473 S * 10/2019 Liu D14/433
D864,205 S * 10/2019 Wang D14/433
D864,208 S * 10/2019 Duan D14/433

1 Claim, 8 Drawing Sheets



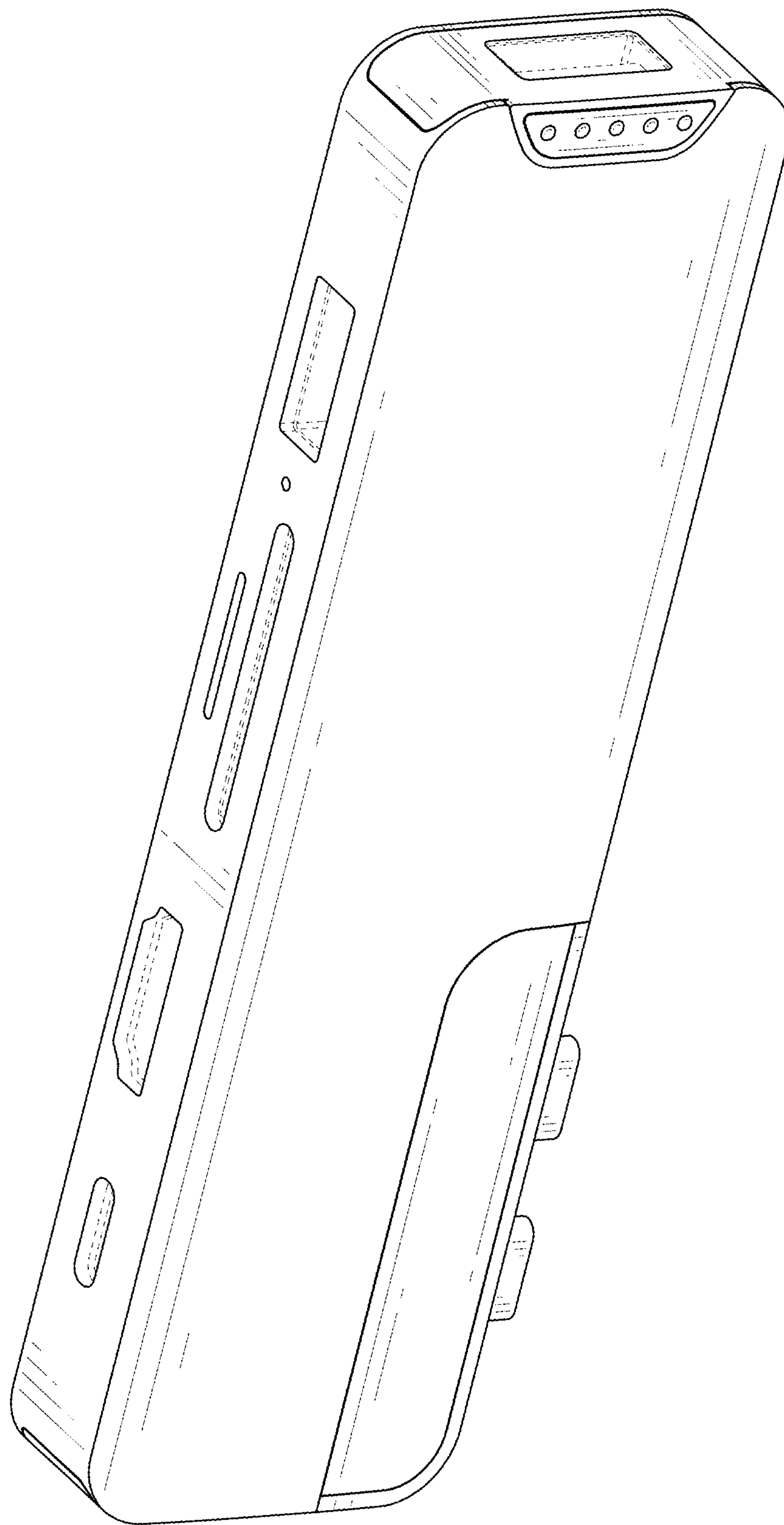


FIG. 1

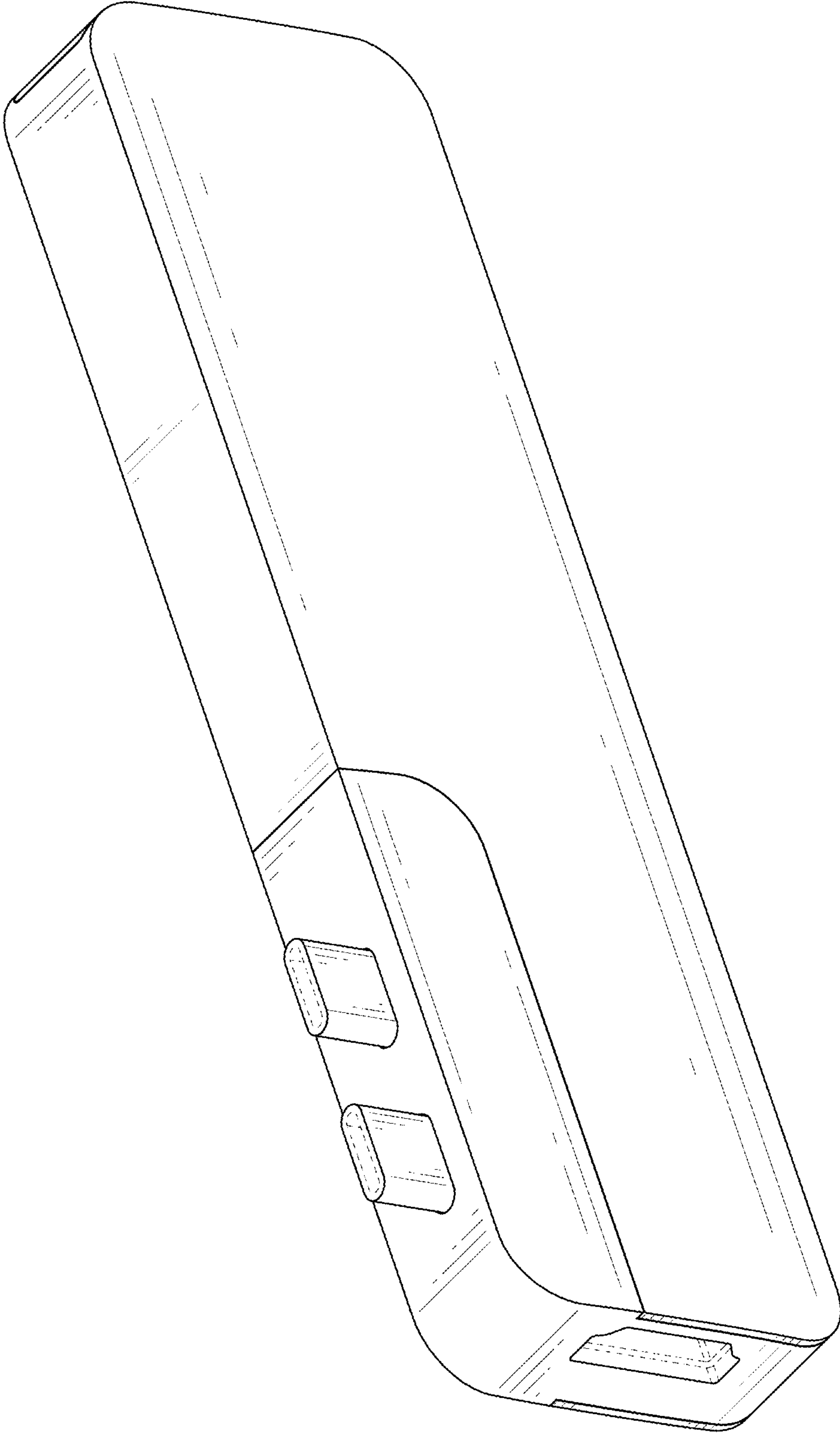


FIG. 2

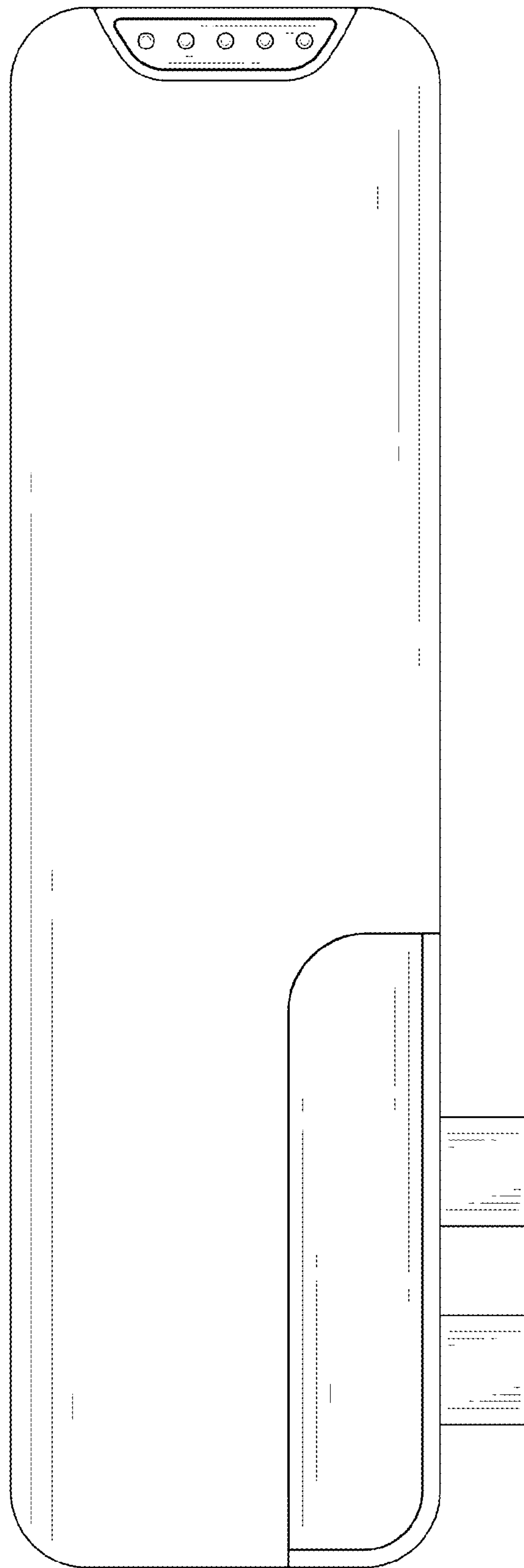


FIG. 3

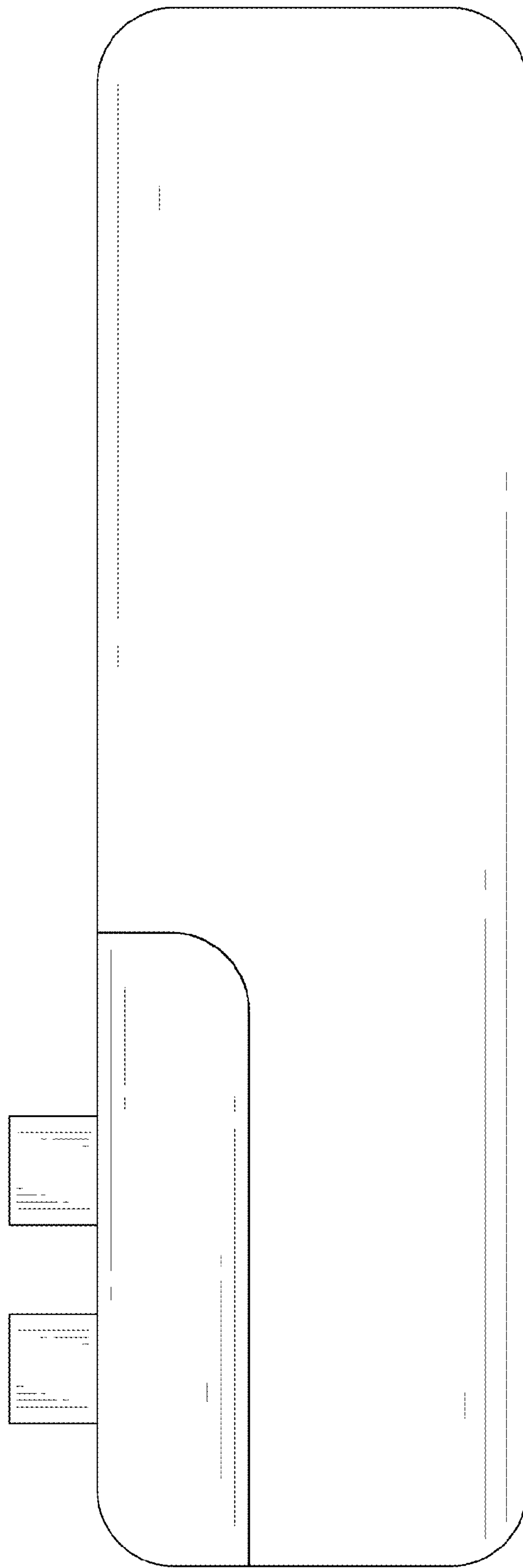


FIG. 4

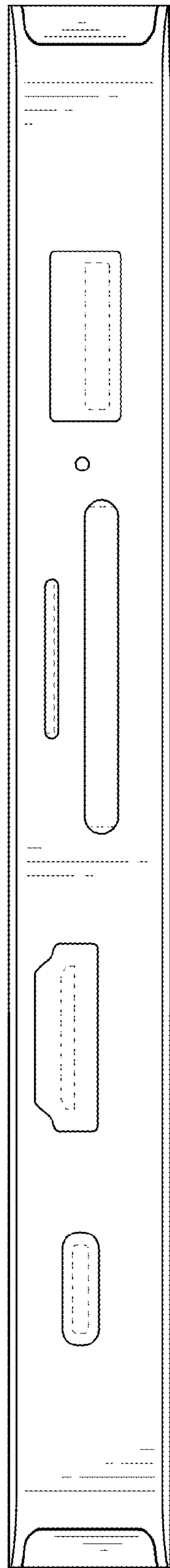


FIG. 5

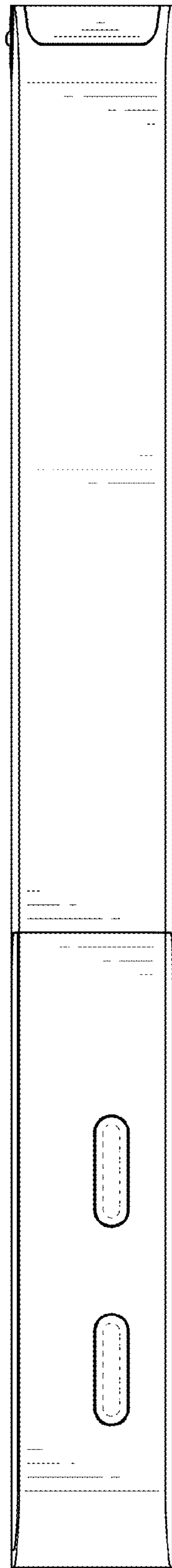


FIG. 6

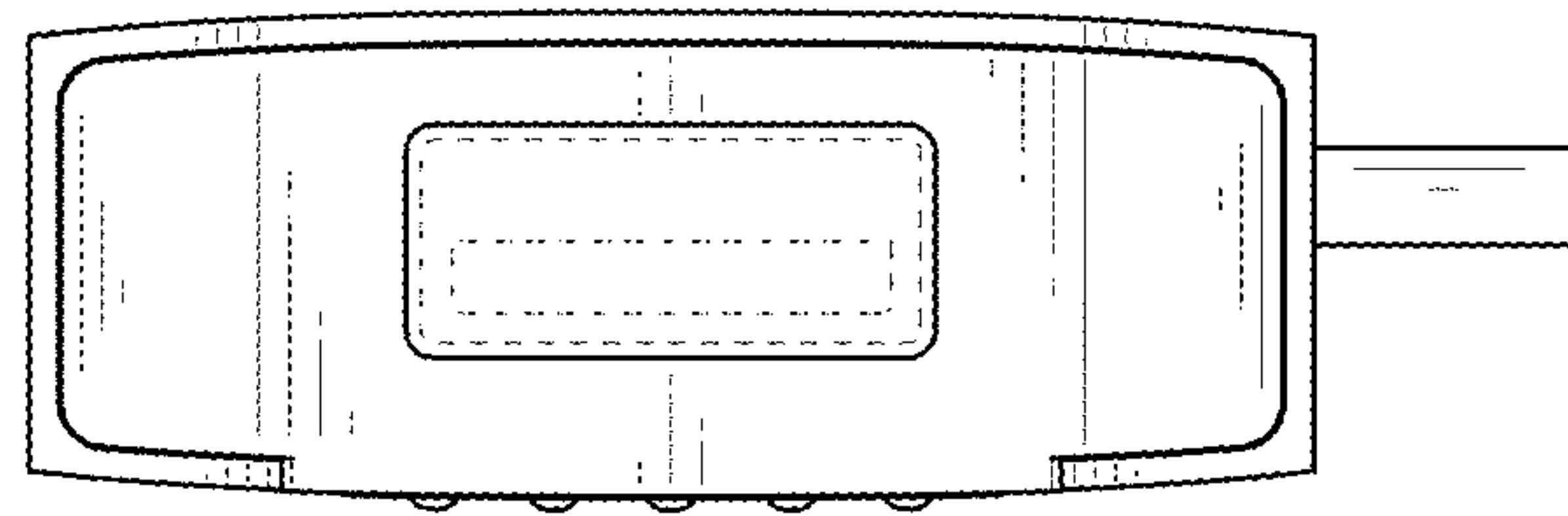


FIG. 7

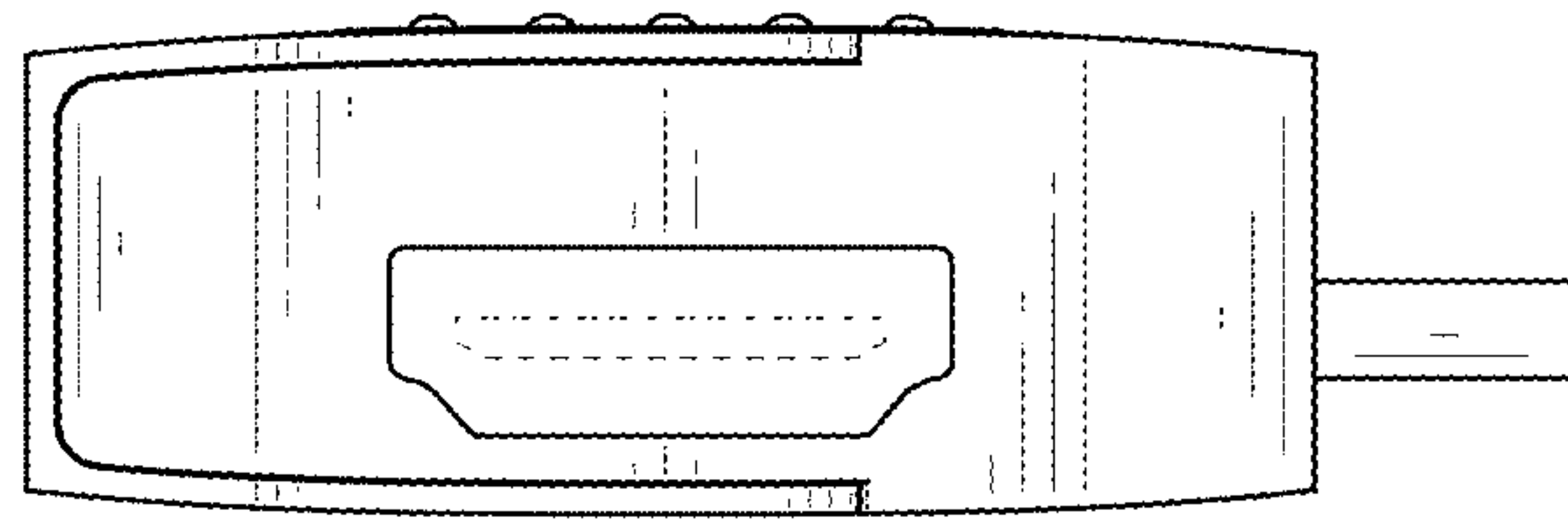


FIG. 8