



US00D936657S

(12) **United States Design Patent** (10) **Patent No.:** **US D936,657 S**
Zhang (45) **Date of Patent:** **** Nov. 23, 2021**

(54) **MULTI-FUNCTION HUB**
(71) Applicant: **C-SMARTLINK INFORMATION TECHNOLOGY CO., LIMITED**, Shenzhen (CN)
(72) Inventor: **Wenfeng Zhang**, Shenzhen (CN)
(73) Assignee: **C-SMARTLINK INFORMATION TECHNOLOGY CO., LIMITED**, Shenzhen (CN)

D911,346 S * 2/2021 Turksu D14/433
D916,705 S * 4/2021 Liao D14/433
D918,917 S * 5/2021 Wu D14/433
D918,918 S * 5/2021 Wu D14/433
D924,239 S * 7/2021 Yang D14/434
D924,874 S * 7/2021 Yang D14/434

(Continued)

FOREIGN PATENT DOCUMENTS

CN 304986586 * 1/2019
CN 304986587 * 1/2019

(**) Term: **15 Years**
(21) Appl. No.: **29/721,005**
(22) Filed: **Jan. 17, 2020**
(51) **LOC (13) Cl.** **14-99**
(52) **U.S. Cl.**
USPC **D14/433**
(58) **Field of Classification Search**
USPC ... D14/432, 433, 434, 435, 435.1, 436, 439, D14/480.1-480.7, 484.1, 203.1-203.8, D14/240, 242, 383-386; D13/107, 108
CPC G06F 13/122; G06F 13/382; G06F 13/385; G06F 13/4022; G06F 13/4282; G06F 1/1632; G06F 1/1684; H01R 25/006; H05K 5/0278; G06K 19/07732
See application file for complete search history.

OTHER PUBLICATIONS

C-Smartlink UC3301A 12 Ports Dual USB-C Hub MST . . . [online]. Original publication date unknown. Captured on Wayback Machine Nov. 23, 2020. [Retrieved from the Internet Aug. 23, 2021.] <URL: <https://www.c-smartlink.com/product-uc3301a.html>>.*

Primary Examiner — Rebekah A Caruso

(57) **CLAIM**

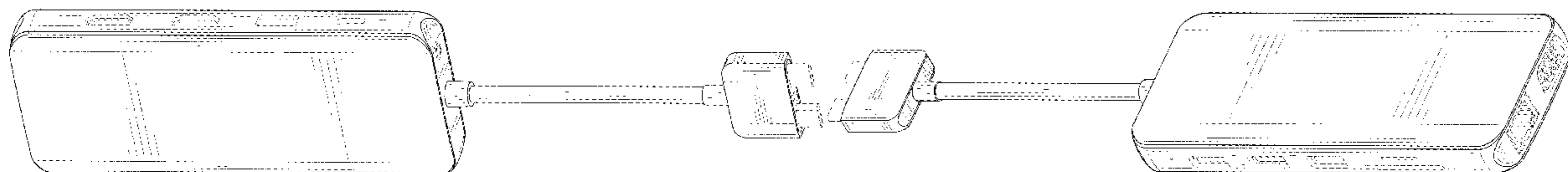
The ornamental design for a multi-function hub, as shown and described.

DESCRIPTION

FIG. 1 is a perspective view of a multi-function hub showing my new design;
FIG. 2 is another perspective view thereof;
FIG. 3 is a front elevational view thereof;
FIG. 4 is a rear elevational view thereof;
FIG. 5 is a left side elevational view thereof;
FIG. 6 is a right side elevational view thereof;
FIG. 7 is a top plan view thereof;
FIG. 8 is a bottom plan view thereof; and,
FIG. 9 is an enlarged view of FIG. 6.
The broken lines in the drawings are for the purpose of illustrating portions of the multi-function hub that form no part of the claimed design.

1 Claim, 9 Drawing Sheets

(56) **References Cited**
U.S. PATENT DOCUMENTS
D828,839 S * 9/2018 Zhang D14/433
D828,840 S * 9/2018 Zhang D14/433
D828,841 S * 9/2018 Zhang D14/433
D880,481 S * 4/2020 Liao D14/433
D886,825 S * 6/2020 Zhang D14/433
D892,801 S * 8/2020 Liu D14/434
D895,551 S * 9/2020 Turksu D13/133
D895,625 S * 9/2020 Turksu D14/433
D896,185 S * 9/2020 Turksu D13/147
D897,343 S * 9/2020 Lin D14/434
D905,063 S * 12/2020 Liu D14/434



(56)

References Cited

U.S. PATENT DOCUMENTS

2014/0332268 A1* 11/2014 Wu H01B 7/0225
174/74 R

* cited by examiner

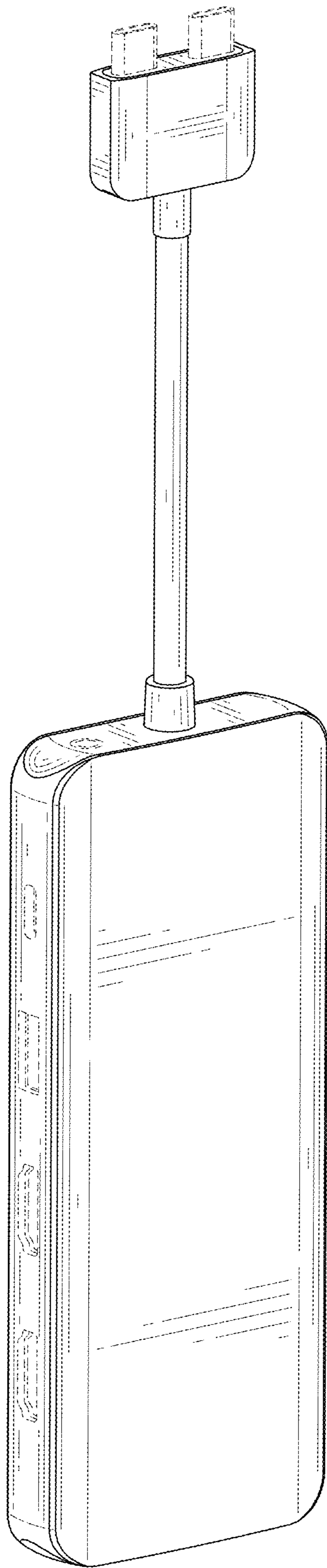


FIG. 1

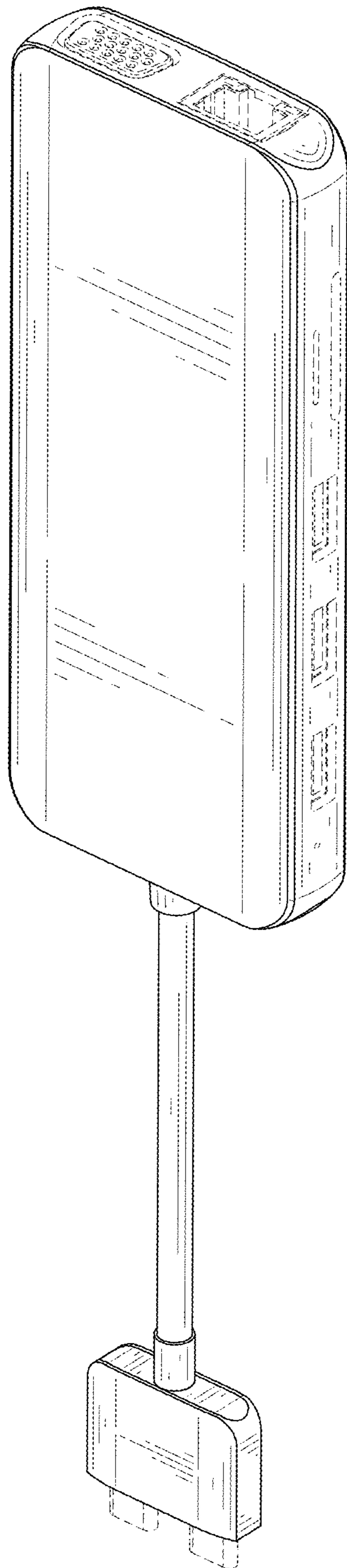


FIG. 2

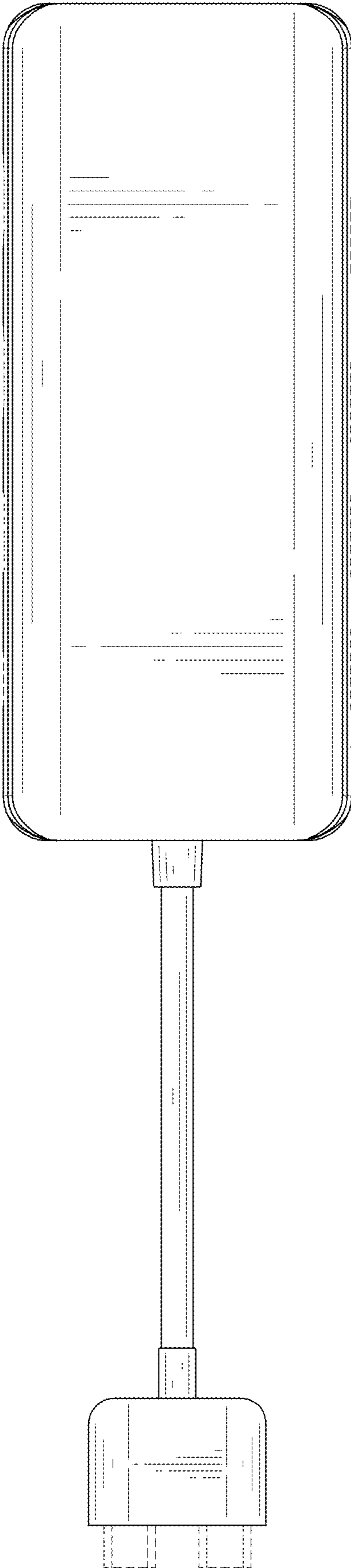


FIG. 3

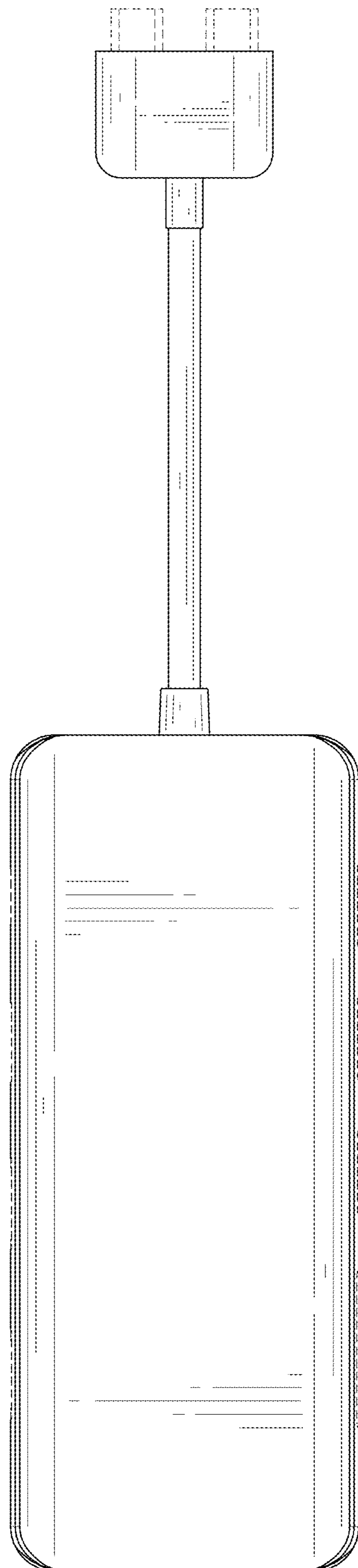


FIG. 4

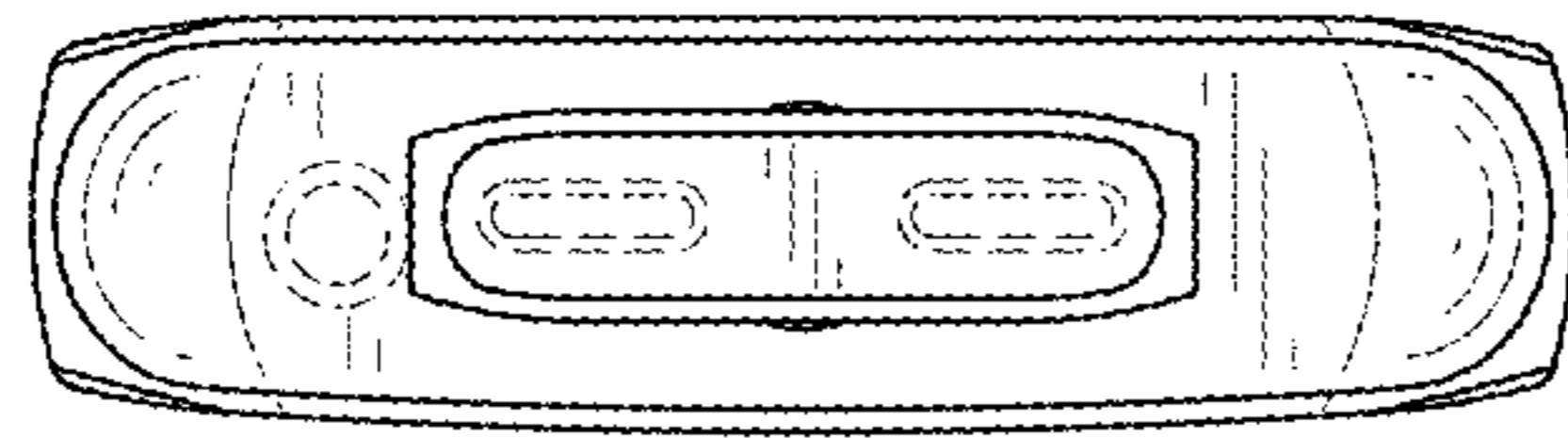


FIG. 5

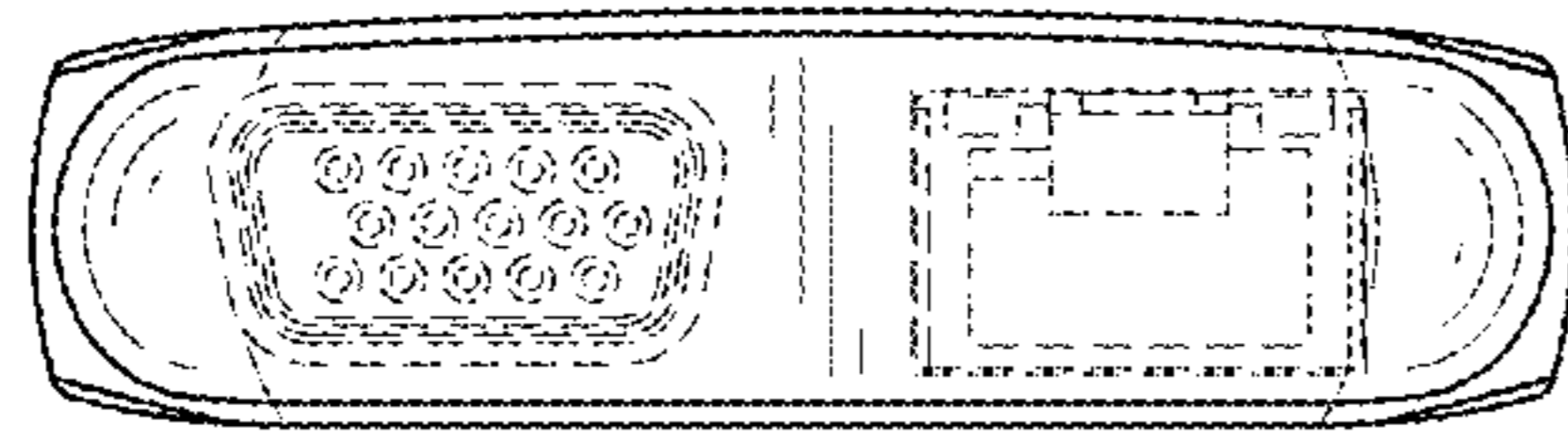


FIG. 6

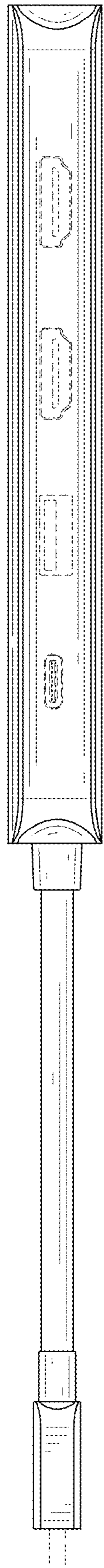


FIG. 7

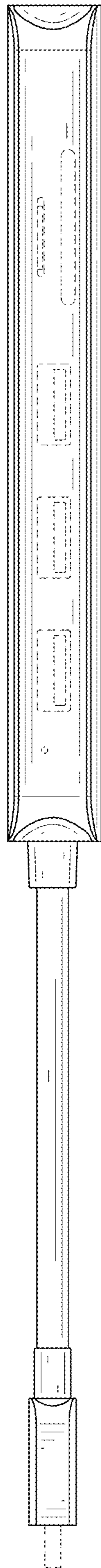


FIG. 8

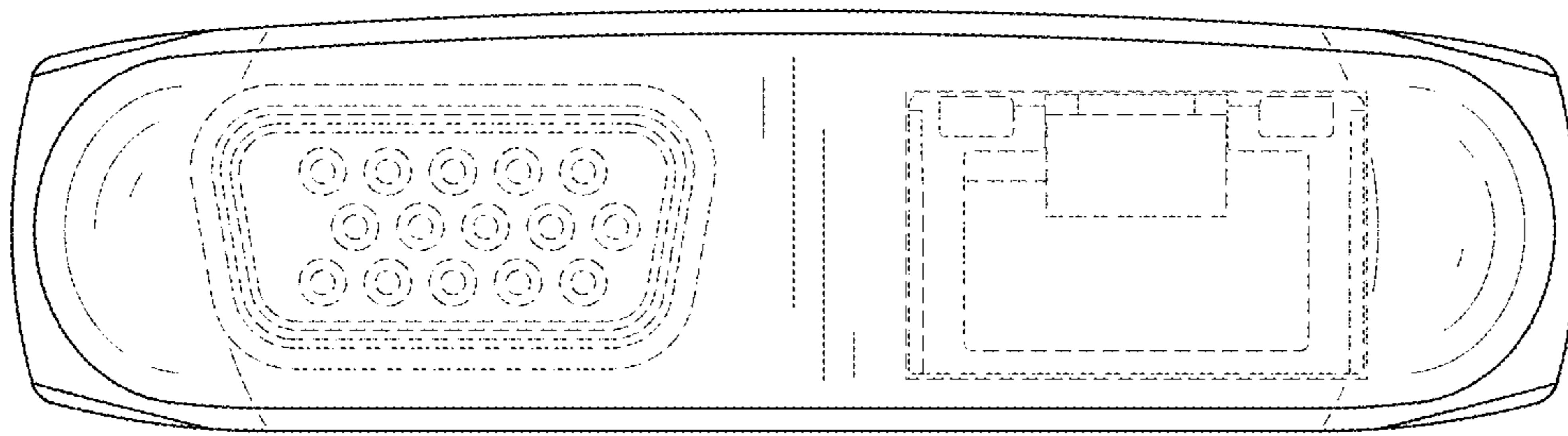


FIG. 9