



US00D936655S

(12) **United States Design Patent** (10) **Patent No.:** **US D936,655 S**
Wu (45) **Date of Patent:** **** Nov. 23, 2021**

(54) **STYLUS**
(71) Applicant: **Yuka Wu**, Heyuan (CN)
(72) Inventor: **Yuka Wu**, Heyuan (CN)
(**) Term: **15 Years**
(21) Appl. No.: **29/758,955**
(22) Filed: **Nov. 19, 2020**
(51) **LOC (13) Cl.** **14-02**
(52) **U.S. Cl.**
USPC **D14/411**
(58) **Field of Classification Search**
USPC D14/372, 496, 432, 371, 125, 126, 129,
D14/299, 411; D16/300-342; 351/158,
351/153, 144; 345/7-9, 905; 455/344;
348/115, 53, 121, 739
CPC G02B 27/017; G06F 3/016; G06F 3/033;
G06F 3/0317; G06F 3/03545; G06F
3/041; G06K 9/222
See application file for complete search history.

(56) **References Cited**
U.S. PATENT DOCUMENTS
D431,598 S 10/2000 Kim et al.
D446,213 S 8/2001 Chen et al.
D446,214 S 8/2001 Khovaylo et al.
D681,113 S * 4/2013 Huang D19/185
D685,430 S * 7/2013 Zhang D19/186
D709,949 S 7/2014 Fleming
D744,038 S * 11/2015 Wang D19/182

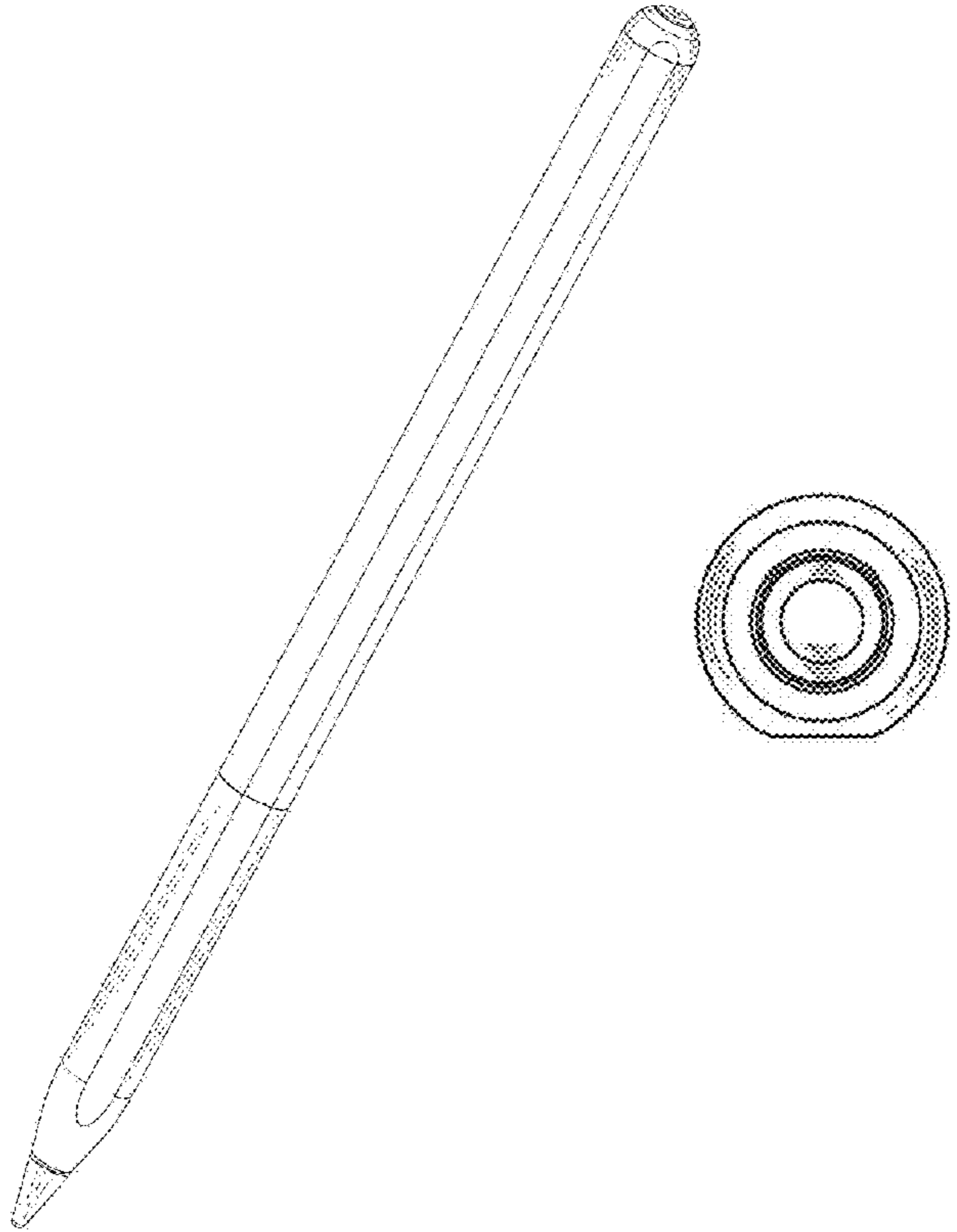
D772,875 S 11/2016 Kim et al.
D825,566 S * 8/2018 Peterson D14/411
D826,230 S * 8/2018 Peterson D14/411
D863,436 S * 10/2019 Thies D19/186
D864,298 S * 10/2019 Li D19/177
D896,810 S * 9/2020 Akana D14/411
D901,585 S * 11/2020 Vadenne D19/186
D908,703 S * 1/2021 Huang D14/411
D909,379 S * 2/2021 Liu D14/411
D909,380 S * 2/2021 Liu D14/411
D921,628 S * 6/2021 Huang D14/411
D921,629 S * 6/2021 Liu D14/411
D921,630 S * 6/2021 Liu D14/411
D921,632 S * 6/2021 Huang D14/411

* cited by examiner
Primary Examiner — Austin Murphy
(74) *Attorney, Agent, or Firm* — W&K IP

(57) **CLAIM**
The ornamental design for a stylus, as shown and described.

DESCRIPTION
FIG. 1 is a perspective view of a stylus showing my new design;
FIG. 2 is a front view thereof;
FIG. 3 is a rear view thereof;
FIG. 4 is a left side view thereof;
FIG. 5 is a right side view thereof;
FIG. 6 is an enlarged top plan view thereof; and,
FIG. 7 is an enlarged bottom plan view thereof.

1 Claim, 7 Drawing Sheets



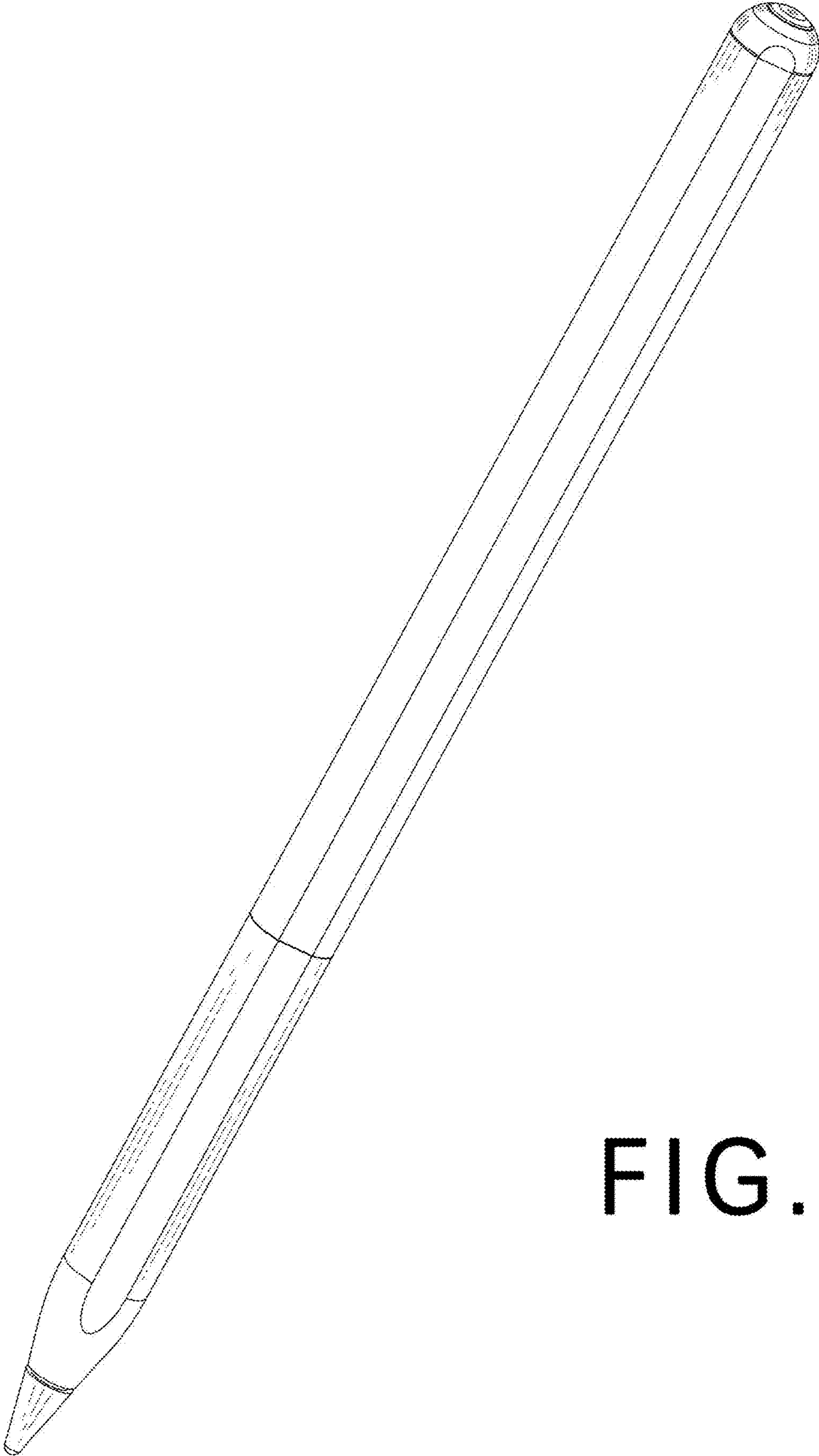


FIG. 1

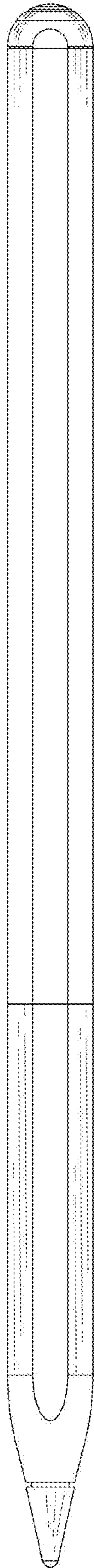


FIG. 2



FIG. 3

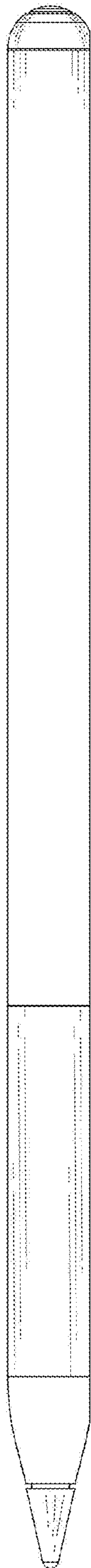


FIG. 4

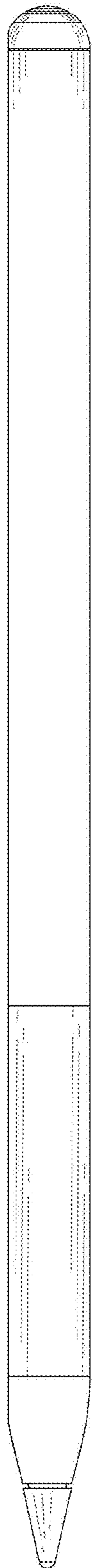


FIG. 5

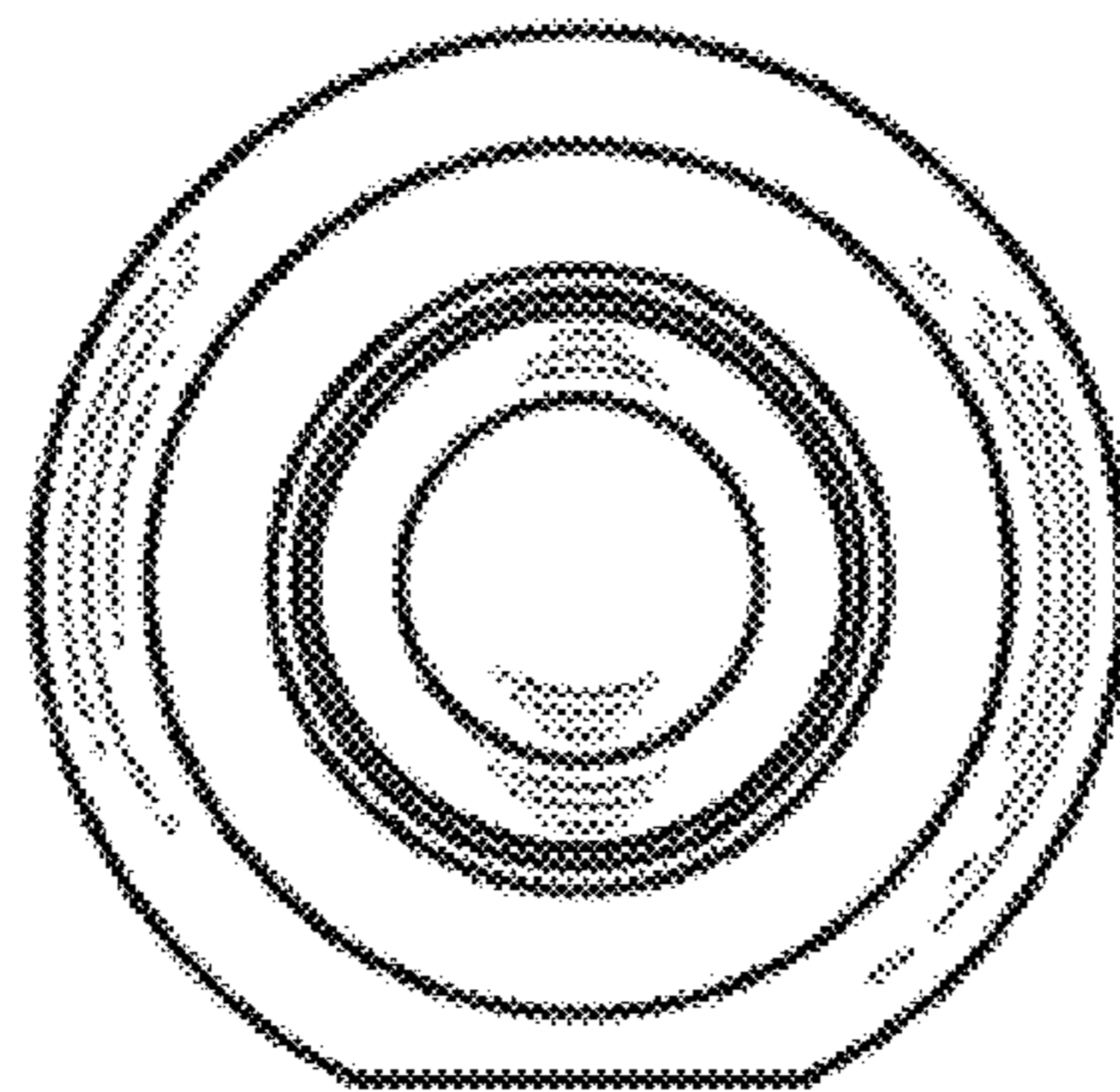


FIG. 6

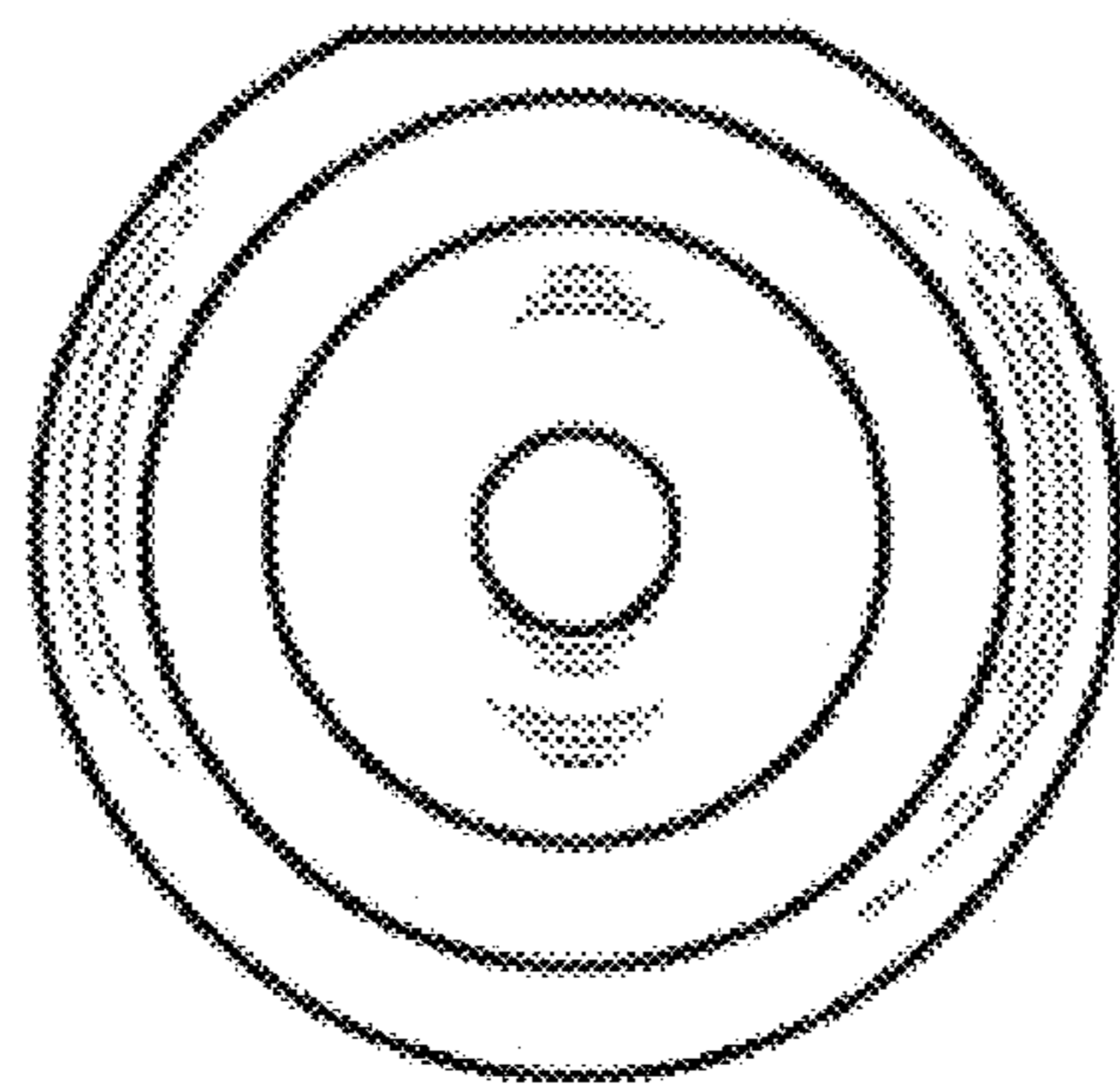


FIG. 7