



US00D936650S

(12) **United States Design Patent** (10) **Patent No.:** **US D936,650 S**
Panneer Selvam et al. (45) **Date of Patent:** **** Nov. 23, 2021**

(54) **SMARTWATCH**
(71) Applicant: **VitalTech Properties, LLC**, Plano, TX (US)
(72) Inventors: **Anjan Panneer Selvam**, Plano, TX (US); **James Hamilton**, Southlake, TX (US); **Qing Sun**, Plano, TX (US); **Peter Ianace**, Frisco, TX (US)

7,976,386 B2 7/2011 Tran
8,108,036 B2 1/2012 Tran
8,121,673 B2 2/2012 Tran
8,323,189 B2 12/2012 Tran et al.
8,328,718 B2 12/2012 Tran
8,425,415 B2 4/2013 Tran
8,449,471 B2 5/2013 Tran
8,475,368 B2 7/2013 Tran et al.

(Continued)

FOREIGN PATENT DOCUMENTS

(73) Assignee: **VITALTECH PROPERTIES, LLC**, Plano, TX (US)

CN 206214083 U 6/2017
CN 106999048 A 8/2017

(Continued)

(**) Term: **15 Years**

(21) Appl. No.: **35/509,377**

OTHER PUBLICATIONS

(22) Filed: **Oct. 18, 2019**

VitalBand Smart Watch, internet archive earliest date Oct. 30, 2020, [online][site visited Apr. 20, 2021] URL: <https://www.vitaltech.com/vitalband-lte> (Year: 2020).*

(80) **Hague Agreement Data**

(Continued)

Int. Filing Date: **Oct. 18, 2019**
Int. Reg. No.: **DM/207978**
Int. Reg. Date: **Oct. 18, 2019**
Int. Reg. Pub. Date: **May 15, 2020**

Primary Examiner — L. A. Grabenstetter

(74) *Attorney, Agent, or Firm* — Goodhue, Coleman & Owens, P.C.

(51) **LOC (13) Cl.** **14-02**

(57) **CLAIM**

(52) **U.S. Cl.**

The ornamental design for a smartwatch, as shown and described.

USPC **D14/344**; D24/167

(58) **Field of Classification Search**

USPC D10/30, 32, 38; D11/3, 5; D14/341, D14/344; D24/167

CPC A44C 5/0053; A44C 5/145; G06F 1/163
See application file for complete search history.

DESCRIPTION

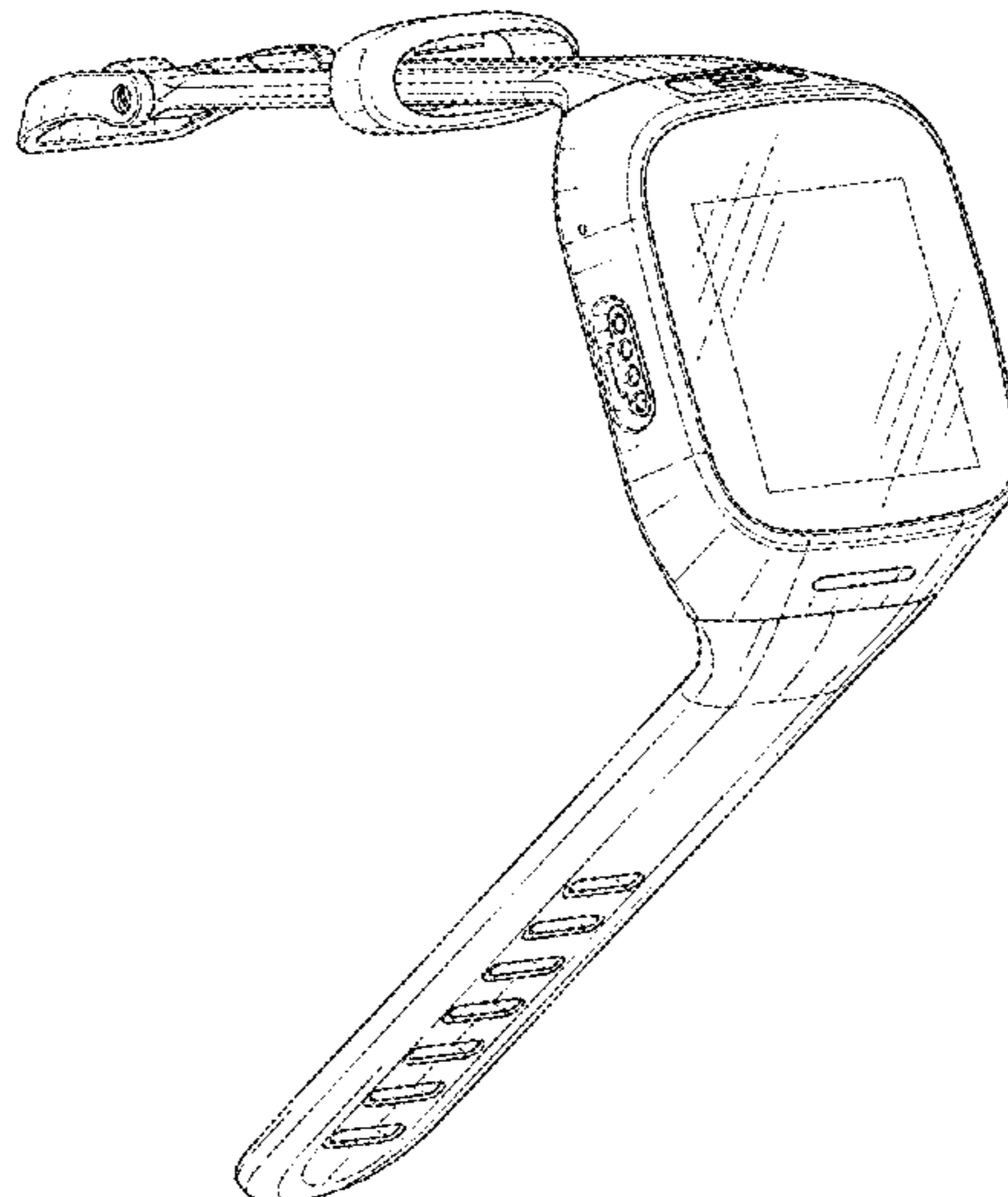
(56) **References Cited**

- 1. Smartwatch
- 1.1 : Top, rear perspective view
- 1.2 : Top, front perspective view
- 1.3 : Front view
- 1.4 : Rear view
- 1.5 : Left view
- 1.6 : Right view
- 1.7 : Left view
- 1.8 : Bottom view
- 1.9 : Bottom, front perspective view

U.S. PATENT DOCUMENTS

D366,036 S * 1/1996 Houlihan D10/30
6,336,900 B1 1/2002 Alleckson et al.
7,539,532 B2 5/2009 Tran
7,539,533 B2 5/2009 Tran
7,558,622 B2 7/2009 Tran
D636,686 S * 4/2011 Cobbett D10/38
D637,918 S * 5/2011 Cobbett D10/31

1 Claim, 9 Drawing Sheets



(56)

References Cited

U.S. PATENT DOCUMENTS

8,500,636 B2 8/2013 Tran
 8,652,038 B2 2/2014 Tran et al.
 8,684,922 B2 4/2014 Tran
 8,727,978 B2 5/2014 Tran et al.
 8,747,313 B2 6/2014 Tran et al.
 8,764,651 B2 7/2014 Tran
 D719,123 S * 12/2014 Park D14/138 R
 D724,556 S * 3/2015 Choi D14/138 R
 8,968,195 B2 3/2015 Tran
 9,060,683 B2 6/2015 Tran
 D736,652 S * 8/2015 Isaacs D10/32
 D737,156 S 8/2015 Akana et al.
 D737,157 S 8/2015 Akana et al.
 D737,158 S 8/2015 Akana et al.
 D737,159 S 8/2015 Akana et al.
 9,107,586 B2 8/2015 Tran
 D741,726 S 10/2015 Akana et al.
 D744,356 S 12/2015 Akana et al.
 D745,421 S 12/2015 Akana et al.
 9,215,980 B2 12/2015 Tran et al.
 D746,707 S 1/2016 Akana et al.
 D751,070 S 3/2016 Akana et al.
 D752,044 S 3/2016 Akana et al.
 D754,793 S 4/2016 Akana et al.
 D756,357 S 5/2016 Akana et al.
 D756,822 S 5/2016 Akana et al.
 D756,823 S 5/2016 Akana et al.
 D756,824 S 5/2016 Akana et al.
 D756,825 S 5/2016 Akana et al.
 D757,575 S * 5/2016 Song D10/70
 D757,722 S 5/2016 Akana et al.
 D758,219 S 6/2016 Akana et al.
 D759,011 S 6/2016 Akana et al.
 D759,622 S * 6/2016 Dahlberg D14/138 R
 D759,725 S 6/2016 Akana et al.
 D760,716 S 7/2016 Akana et al.
 D760,717 S * 7/2016 Solomon D14/344
 D761,793 S 7/2016 Akana et al.
 9,392,966 B2 7/2016 Kate
 D766,752 S 9/2016 Akana et al.
 D766,893 S 9/2016 Akana et al.
 D771,035 S 11/2016 Akana et al.
 D771,037 S 11/2016 Akana et al.
 D771,504 S * 11/2016 Lai D10/30
 D777,163 S 1/2017 Akana et al.
 D779,992 S 2/2017 Akana et al.
 D781,853 S 3/2017 Akana et al.
 D784,326 S 4/2017 Akana et al.
 D784,327 S 4/2017 Akana et al.
 D784,831 S 4/2017 Akana et al.
 D790,517 S 6/2017 Akana et al.
 D791,237 S 7/2017 Akana et al.
 D791,238 S 7/2017 Akana et al.
 D791,239 S 7/2017 Akana et al.
 9,801,542 B2 10/2017 Tran et al.
 9,801,568 B2 10/2017 Ziaie et al.
 9,814,425 B2 11/2017 Tran
 9,820,657 B2 11/2017 Tran
 D805,513 S 12/2017 Akana et al.

D805,929 S 12/2017 Akana et al.
 D806,071 S 12/2017 Akana et al.
 D807,765 S 1/2018 Akana et al.
 9,865,176 B2 1/2018 Tran
 D809,513 S 2/2018 Akana et al.
 D812,052 S 3/2018 Akana et al.
 D813,058 S * 3/2018 Kanikananta D10/32
 D816,524 S 5/2018 Akana et al.
 D817,203 S 5/2018 Akana et al.
 9,974,492 B1 5/2018 Dicks et al.
 D822,525 S 7/2018 Akana et al.
 D824,273 S 7/2018 Akana et al.
 10,025,908 B1 7/2018 Orellano et al.
 10,026,292 B2 7/2018 Baker et al.
 10,051,410 B2 8/2018 Booth et al.
 D828,352 S 9/2018 Akana et al.
 D828,835 S 9/2018 Akana et al.
 D832,252 S 10/2018 Akana et al.
 D836,102 S 12/2018 Akana et al.
 D837,206 S * 1/2019 Guan D14/344
 D838,716 S * 1/2019 Teng D14/344
 D843,864 S * 3/2019 Vandenbussche D10/70
 D855,813 S * 8/2019 Hu D24/186
 D860,988 S * 9/2019 Haapakoski D14/344
 D865,543 S * 11/2019 Lumme D10/70
 D865,759 S * 11/2019 Haranaka D14/344
 D910,011 S * 2/2021 Vandenbussche D14/344
 D916,700 S * 4/2021 Li D14/344
 2014/0143064 A1 5/2014 Tran
 2014/0249429 A1 9/2014 Tran
 2015/0148623 A1 5/2015 Benaron
 2015/0359467 A1 12/2015 Tran
 2016/0287166 A1 10/2016 Tran
 2016/0338639 A1 11/2016 Myers et al.
 2016/0367202 A1 12/2016 Carter et al.
 2016/0374588 A1 12/2016 Shariff et al.
 2017/0000387 A1 1/2017 Forth et al.
 2017/0124276 A1 5/2017 Tee
 2017/0213145 A1 7/2017 Pathak et al.
 2018/0064370 A1 3/2018 Ziaie et al.
 2018/0174686 A1 6/2018 Zaphrir et al.
 2018/0177436 A1 6/2018 Chang et al.
 2018/0333083 A1 11/2018 Orellano
 2020/0367816 A1 * 11/2020 Panneer Selvam .. A61B 5/1455
 2021/0052221 A1 * 2/2021 Panneer Selvam A61B 5/486

FOREIGN PATENT DOCUMENTS

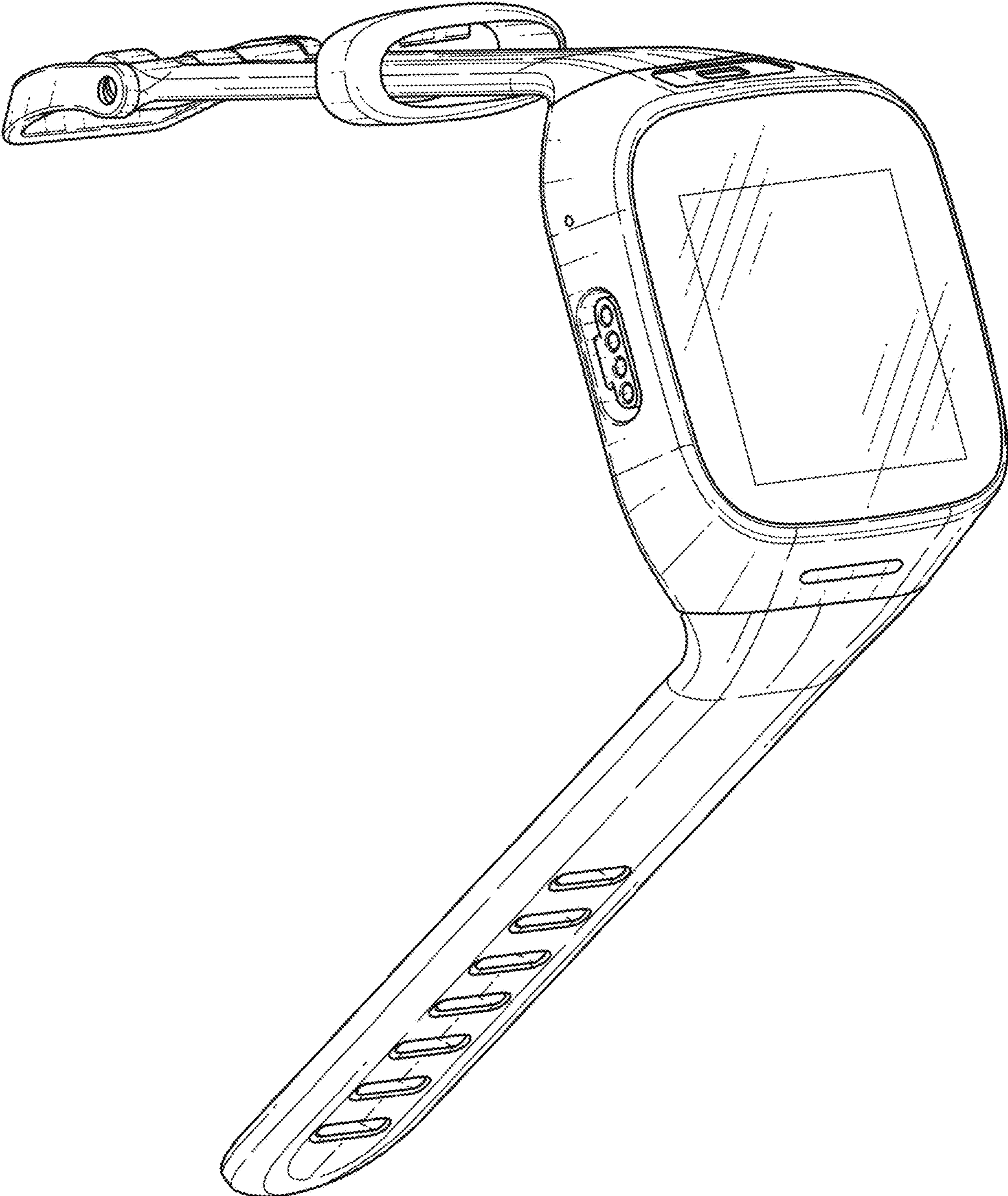
EP 3346402 A1 7/2018
 WO 2013103570 A1 7/2013
 WO 2017190049 A1 11/2017

OTHER PUBLICATIONS

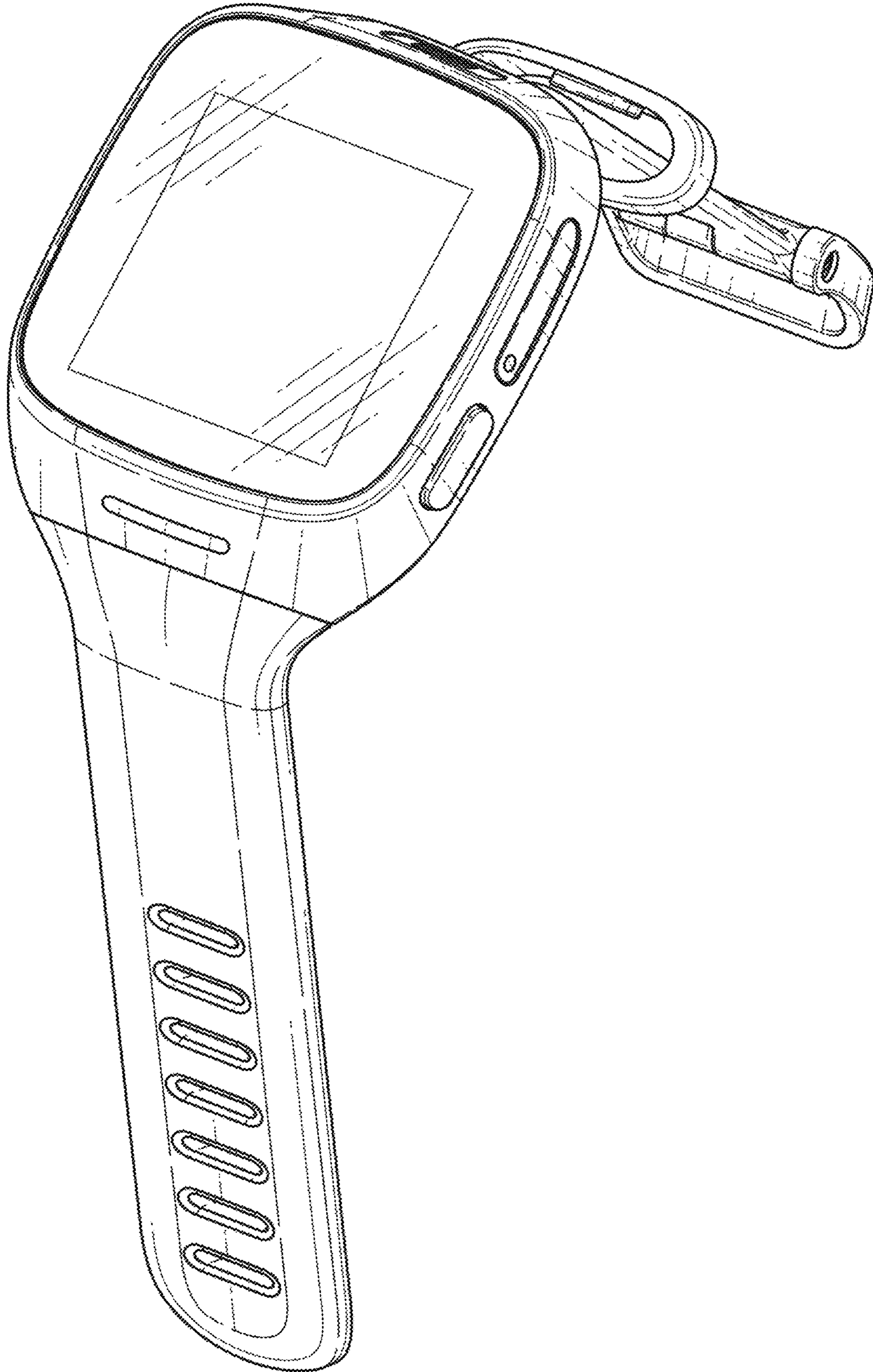
EKG on your Wrist: Will wearable devices change healthcare?, publication date Jan. 22, 2018, [online][site visited Apr. 20, 2021] URL: <https://www.youtube.com/watch?v=kohLcShNbHE> (Year: 2018).*
 International Search Report and Written Opinion, PCT/US2019/047929. (dated Nov. 18, 2019).

* cited by examiner

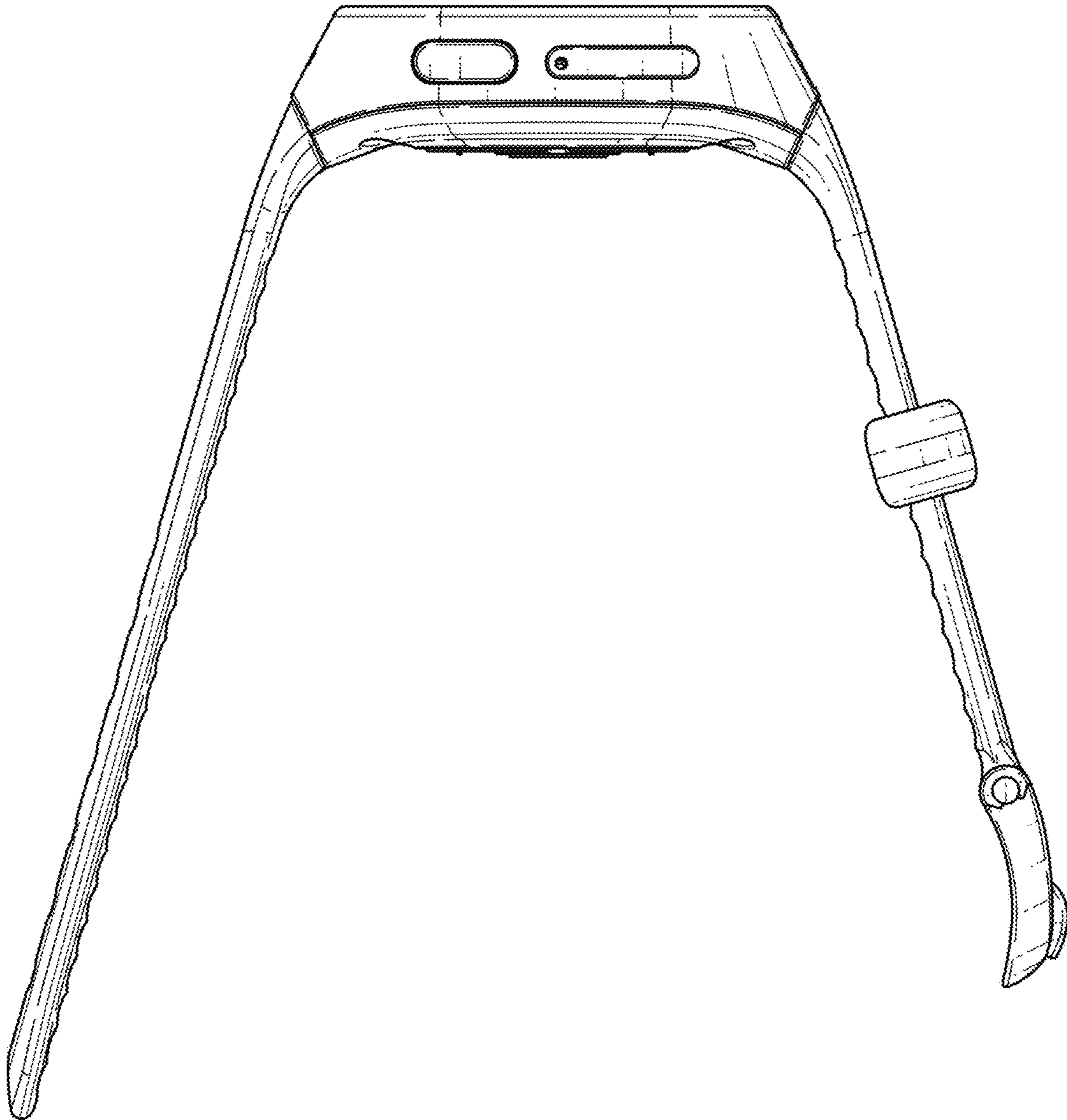
1.1



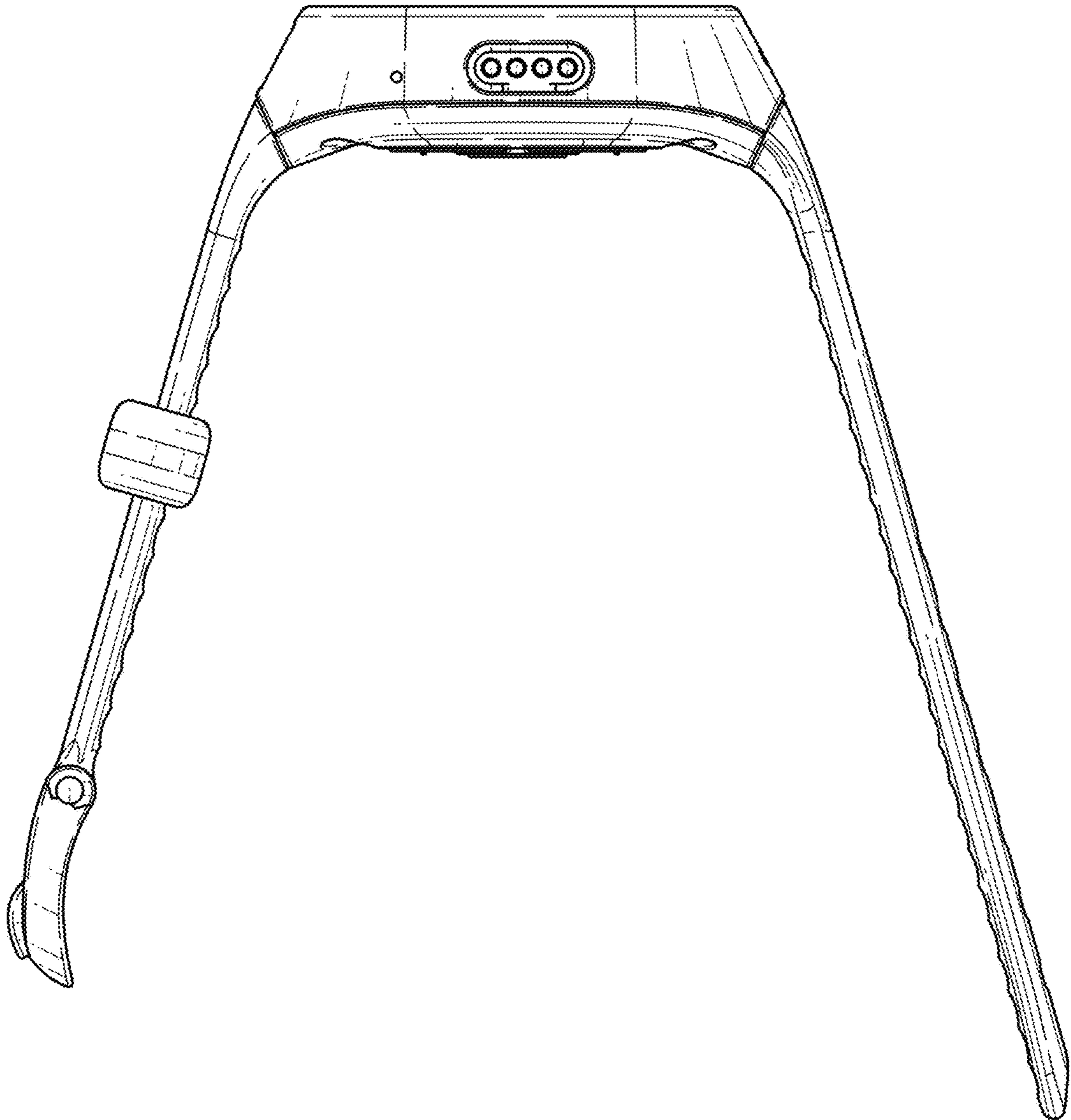
1.2



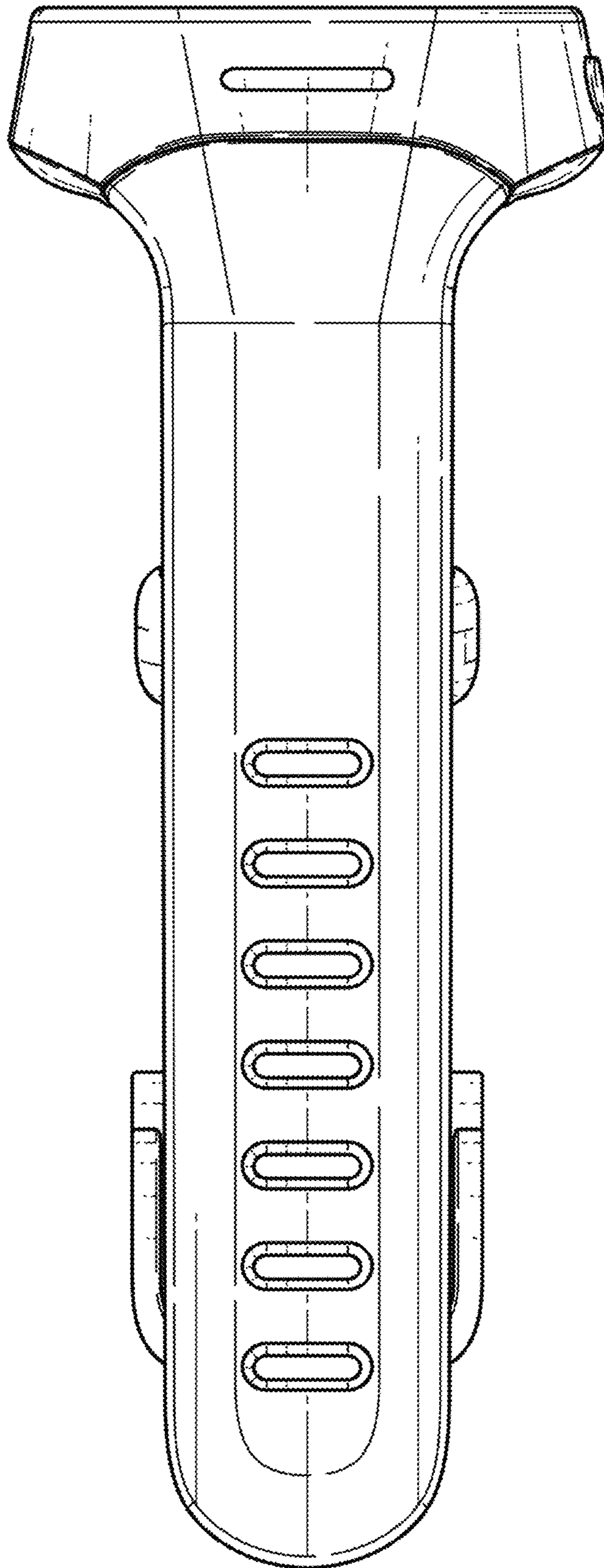
1.3



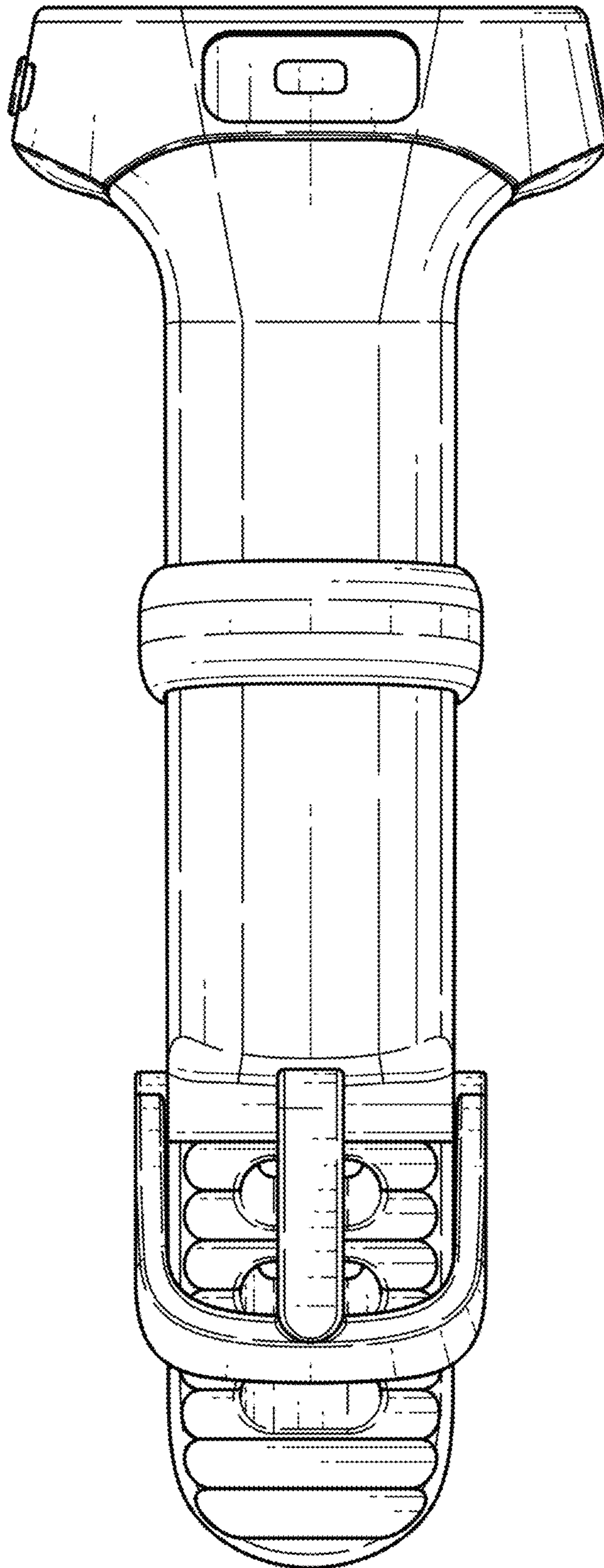
1.4



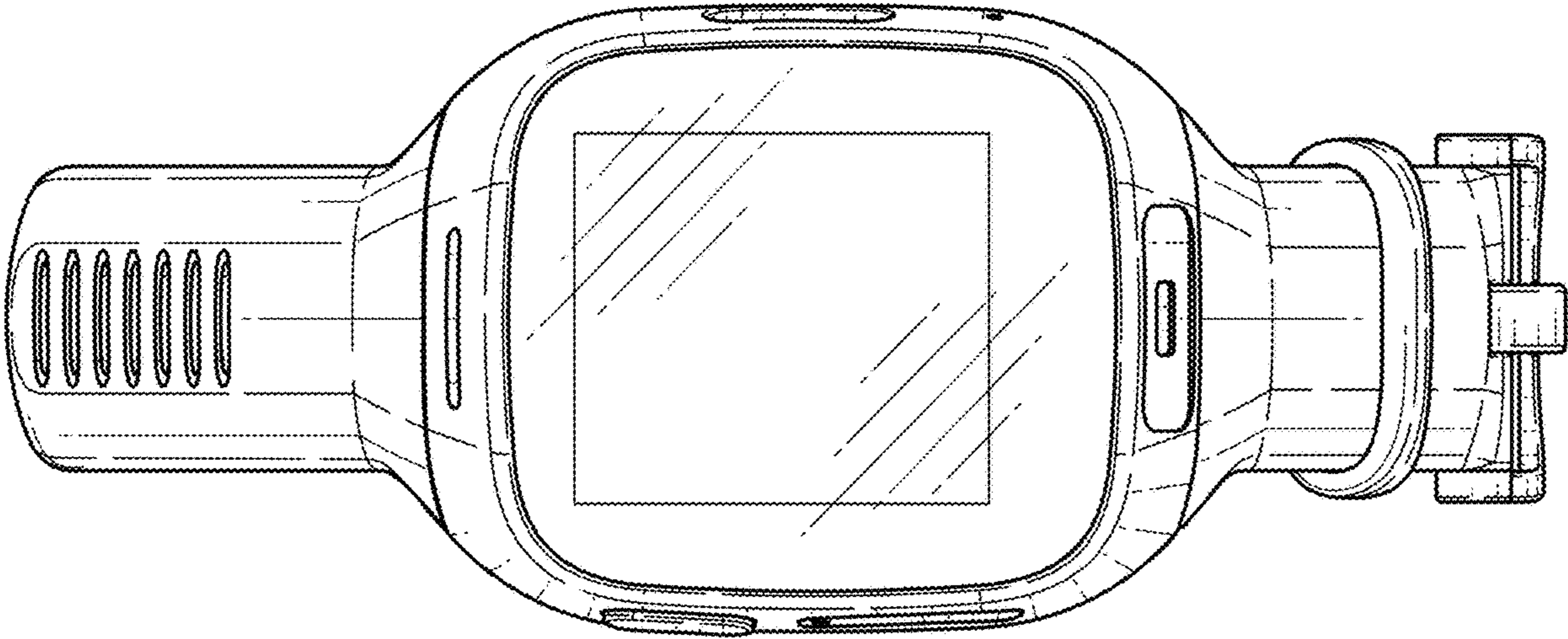
1.5



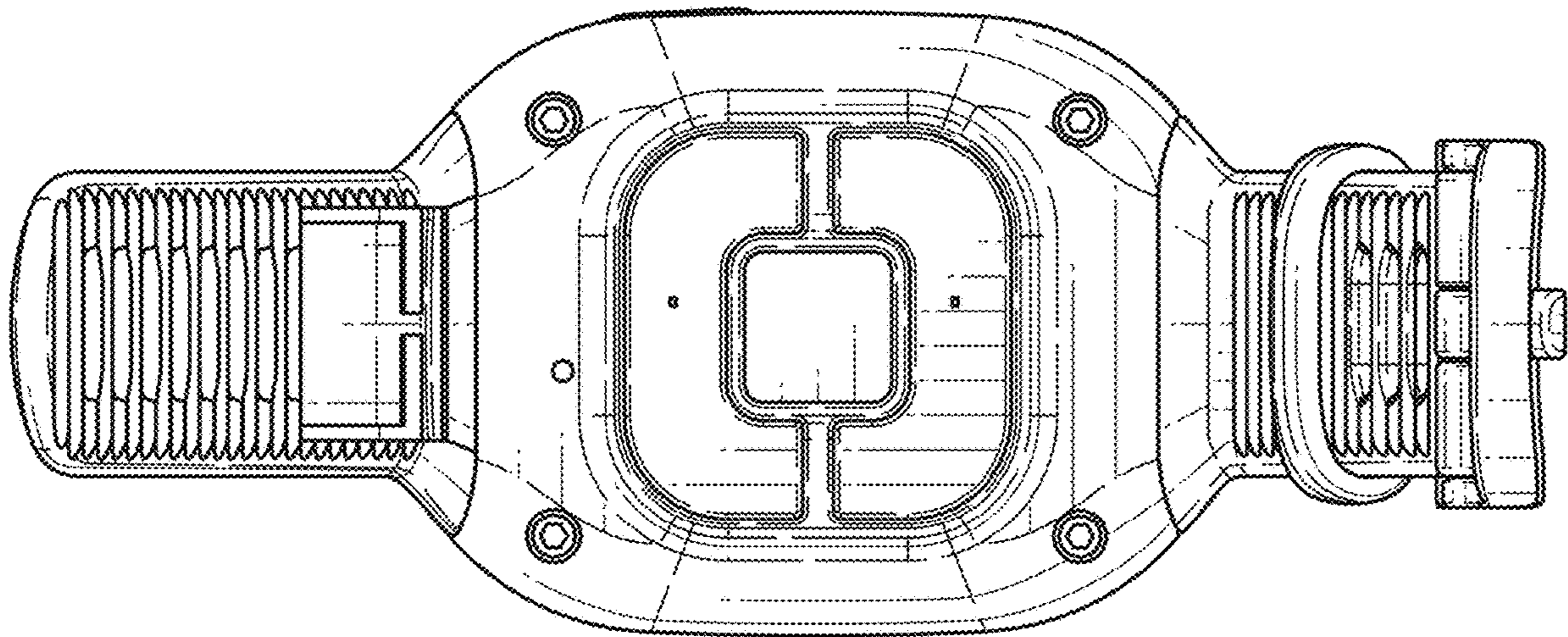
1.6



1.7



1.8



1.9

