



US00D936648S

(12) **United States Design Patent**
Liu et al.

(10) **Patent No.:** **US D936,648 S**

(45) **Date of Patent:** **** Nov. 23, 2021**

(54) **DIGITAL WALLET**

(71) Applicant: **Cobo Global Limited**, Grand Cayman (KY)

(72) Inventors: **Lixin Liu**, Shanghai (CN); **Xiejun Tan**, Shanghai (CN); **Qiaoping Luo**, Shanghai (CN)

(73) Assignee: **COBO GLOBAL LIMITED**, Grand Cayman (KY)

(**) Term: **15 Years**

(21) Appl. No.: **29/662,903**

(22) Filed: **Sep. 10, 2018**

(51) **LOC (13) Cl.** **14-02**

(52) **U.S. Cl.**
USPC **D14/341**

(58) **Field of Classification Search**
USPC D14/138 AA, 138 AB, 138 AC, 138 AD, D14/138 C, 138 G, 248, 314, 315-318, D14/341-347, 371, 374; D10/50, 65, D10/104.1; D19/26, 59-60, 113; D21/324, 329-330, 332
CPC ... H04M 1/0202; H04M 1/0266; H04M 1/725
See application file for complete search history.

(56) **References Cited**

U.S. PATENT DOCUMENTS

D332,776 S *	1/1993	Kelly	D14/346
D593,132 S *	5/2009	Kim	D14/496
D638,012 S *	5/2011	Tian	D14/341
D723,494 S *	3/2015	Skafdrup	D14/138 G
D769,241 S *	10/2016	Mazz	D14/341
D801,968 S *	11/2017	Johnson	D14/371
D810,728 S *	2/2018	Amit	D14/250

D812,048 S *	3/2018	Mazz	D14/341
D877,146 S *	3/2020	Turgel	D14/371
D906,235 S *	12/2020	Liu	D13/103

FOREIGN PATENT DOCUMENTS

CN 306587607 * 6/2021

OTHER PUBLICATIONS

Cobo Vault Pro (Keystone Pro), date first available: Apr. 13, 2020, [retrieved Jul. 15, 2021], Retrieved from Internet, URL: <https://www.amazon.com/Cobo-Vault-Pro-Cryptocurrency-self-Destruct/dp/B08726FFP4> (Year: 2020).*

SecuX W20—Most Secure Crypto Hardware Wallet, date first available: Apr. 8, 2019, [retrieved Jul. 15, 2021], Retrieved from Internet, URL: <https://www.amazon.com/dp/B07Q19WN6G/ref=sspa_dk_detail_6?psc=1&pd_rd_i=B07Q19WN6G&pd_rd_w=00nOD&pf_rd_p=eff89026-4a7e-4247-%E2%80%A6/11> (Year: 2019).*

(Continued)

Primary Examiner — Barbara Fox

Assistant Examiner — Aram Kwon

(74) *Attorney, Agent, or Firm* — Fenwick & West LLP

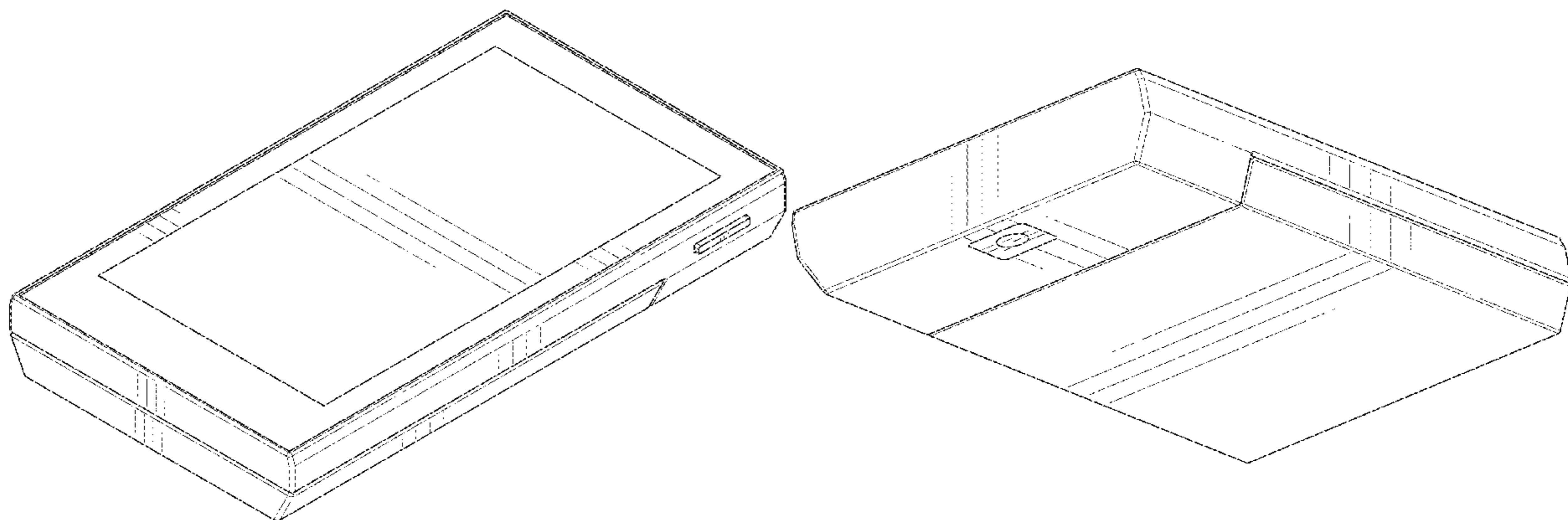
(57) **CLAIM**

The ornamental design for a digital wallet, as shown and described.

DESCRIPTION

FIG. 1 is a front, bottom, and right side perspective view of a digital wallet;
FIG. 2 is a rear, top, and left side perspective view thereof;
FIG. 3 is a bottom elevational view thereof;
FIG. 4 is a top elevational view thereof;
FIG. 5 is a left side elevational view thereof;
FIG. 6 is a right side elevational view thereof;
FIG. 7 is a front plan view thereof; and,
FIG. 8 is a rear plan view thereof.

1 Claim, 8 Drawing Sheets



(56)

References Cited

OTHER PUBLICATIONS

Cobo Raises \$13M in Series A Funding Round, Oct. 18, 2018, [retrieved Jul. 15, 2021], Retrieved from Internet, URL: <<https://news.bitcoin.com/chinese-cryptocurrency-wallet-cobo-raises-13-million-in-series-a-funding/>> (Year: 2018).*

Moto RAZR 2019, Nov. 14, 2019, [retrieved Jul. 16, 2021], Retrieved from Internet, URL: <<https://www.republicworld.com/technology-news/mobile/moto-razr-2019-comparing-the-smartphone-to-old-moto-razr-phones.html>> (Year: 2019).*

Remembering Nokia: 10 of its most iconic phones ever, Apr. 22, 2014, [retrieved Jul. 16, 2021], Retrieved from Internet, URL: <<https://www.digit.in/features/mobile-phones/remembering-nokia-10-of-its-most-iconic-phones-ever-20572.html>> (Year: 2014).*

Magellan Maestro 4250, date not available, [retrieved Jul. 16, 2021], Retrieved from Internet, URL: <https://magellan.factoryoutletstore.com/details/5626/magellan-maestro-4250.html?category_id=20621&catalogitemid=6157> (Year: 2021).*

* cited by examiner

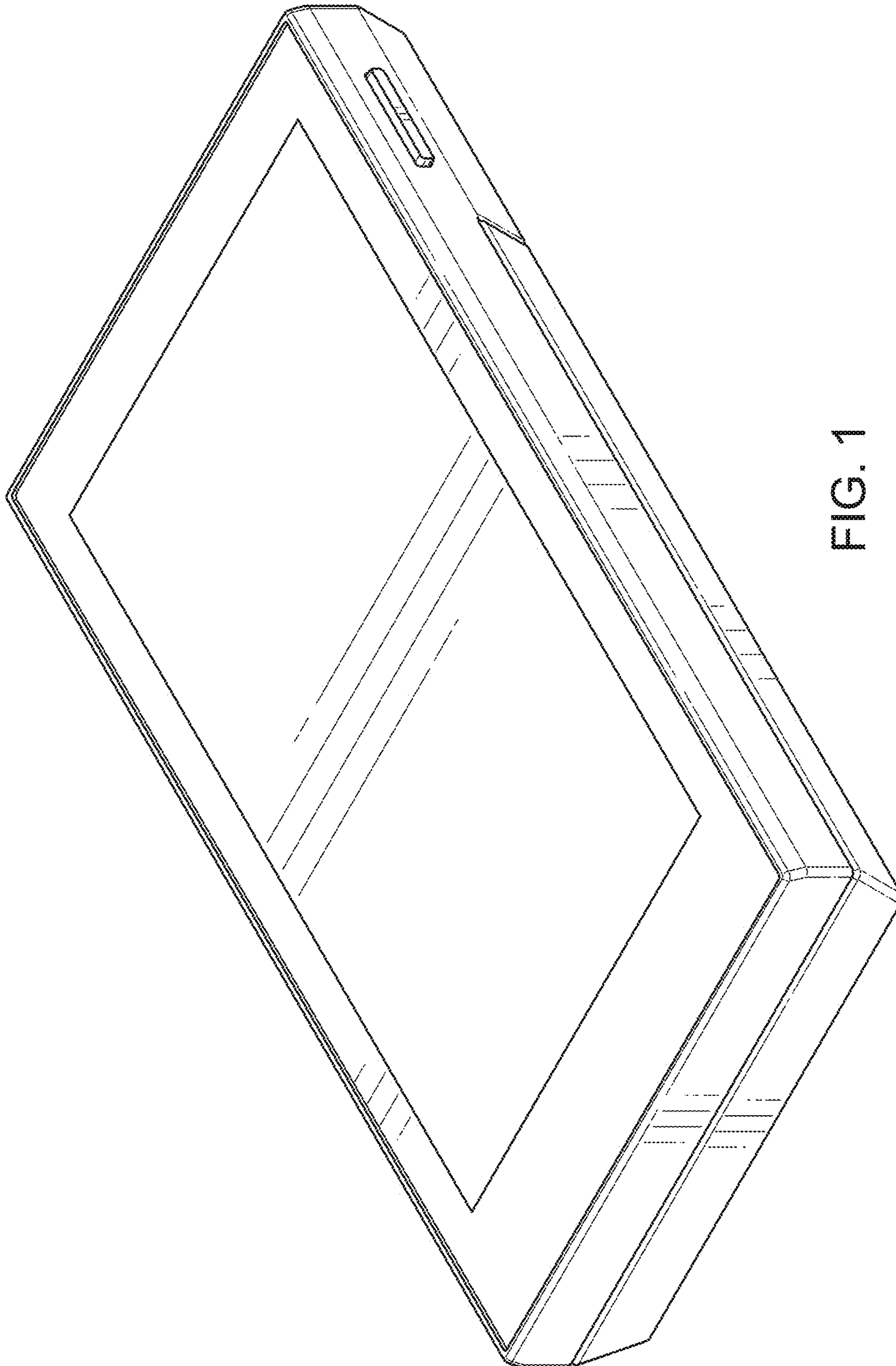


FIG. 1

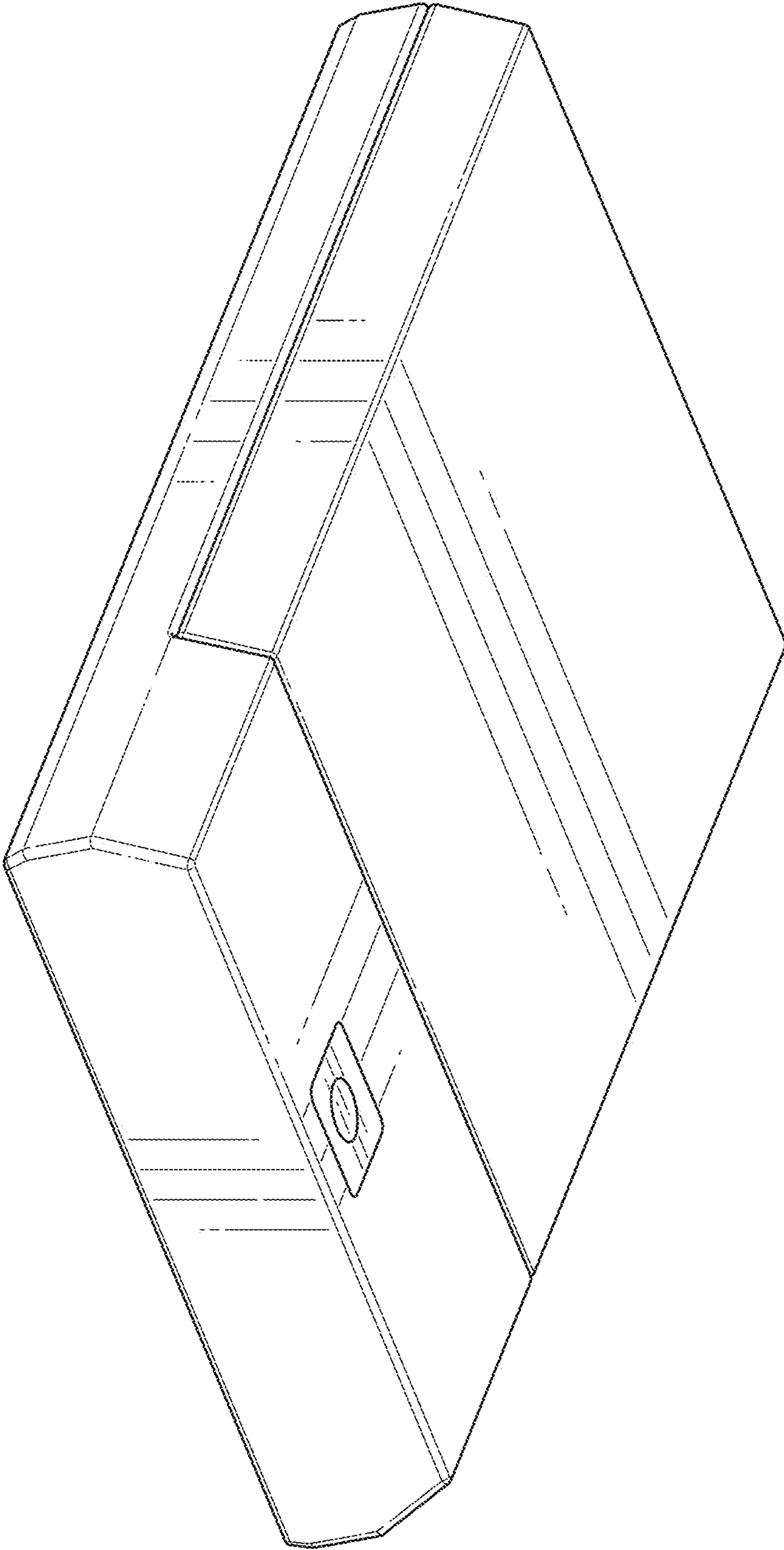


FIG. 2

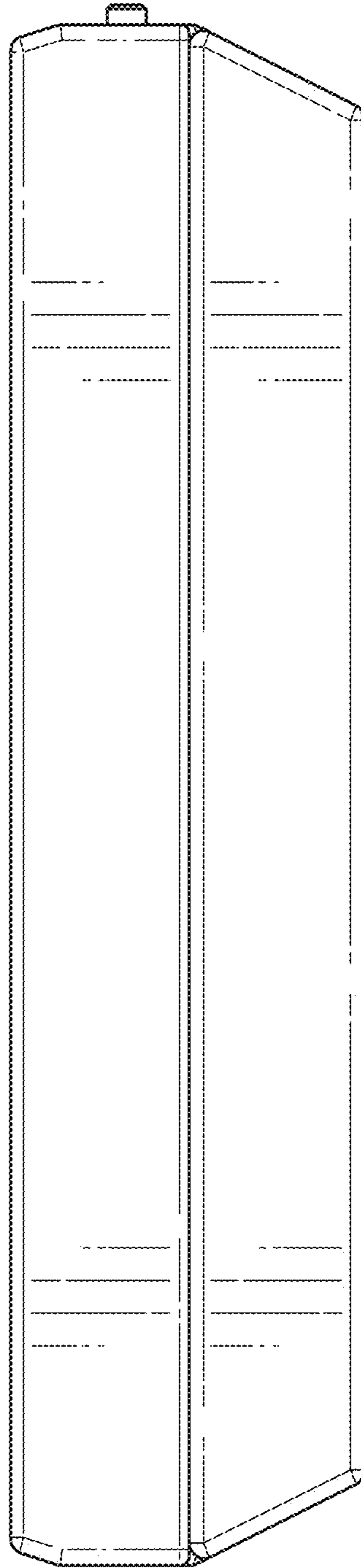


FIG. 3

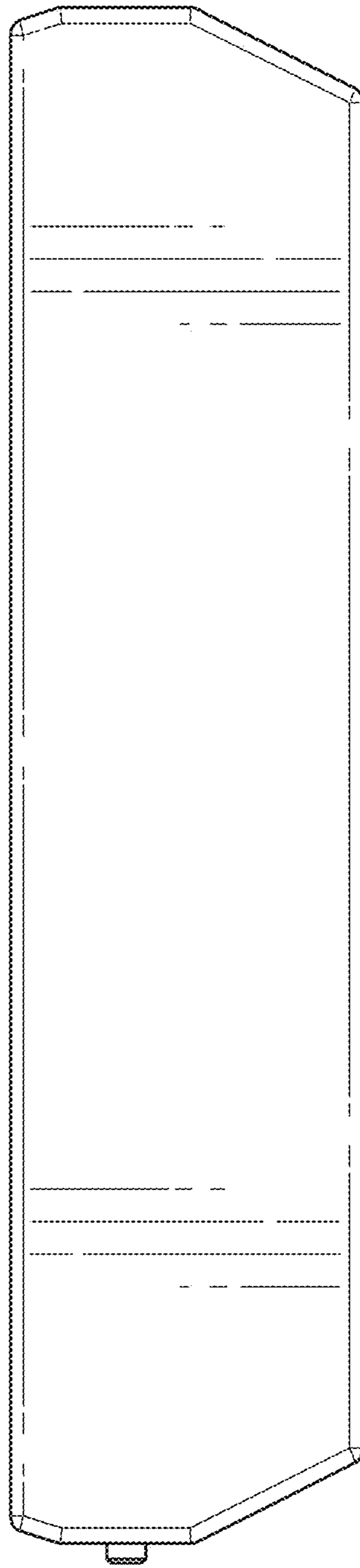


FIG. 4

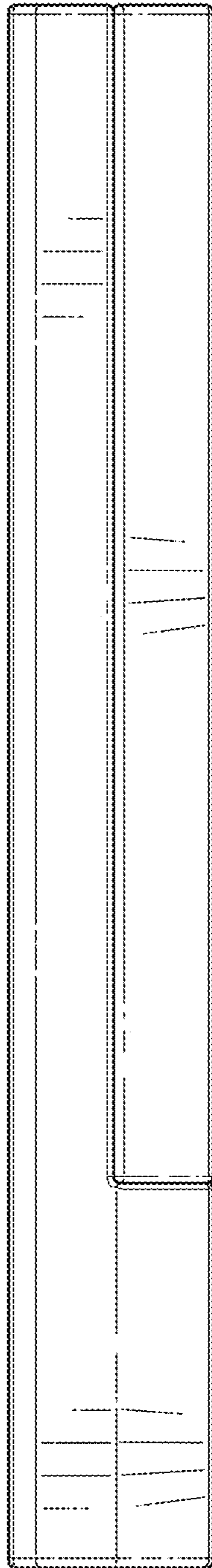


FIG. 5

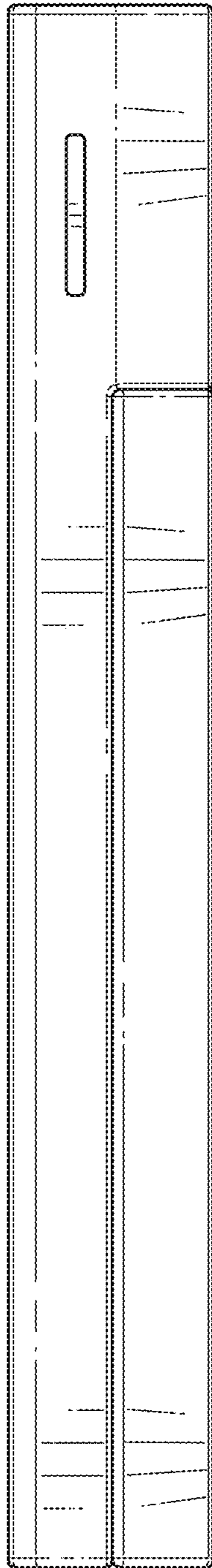


FIG. 6

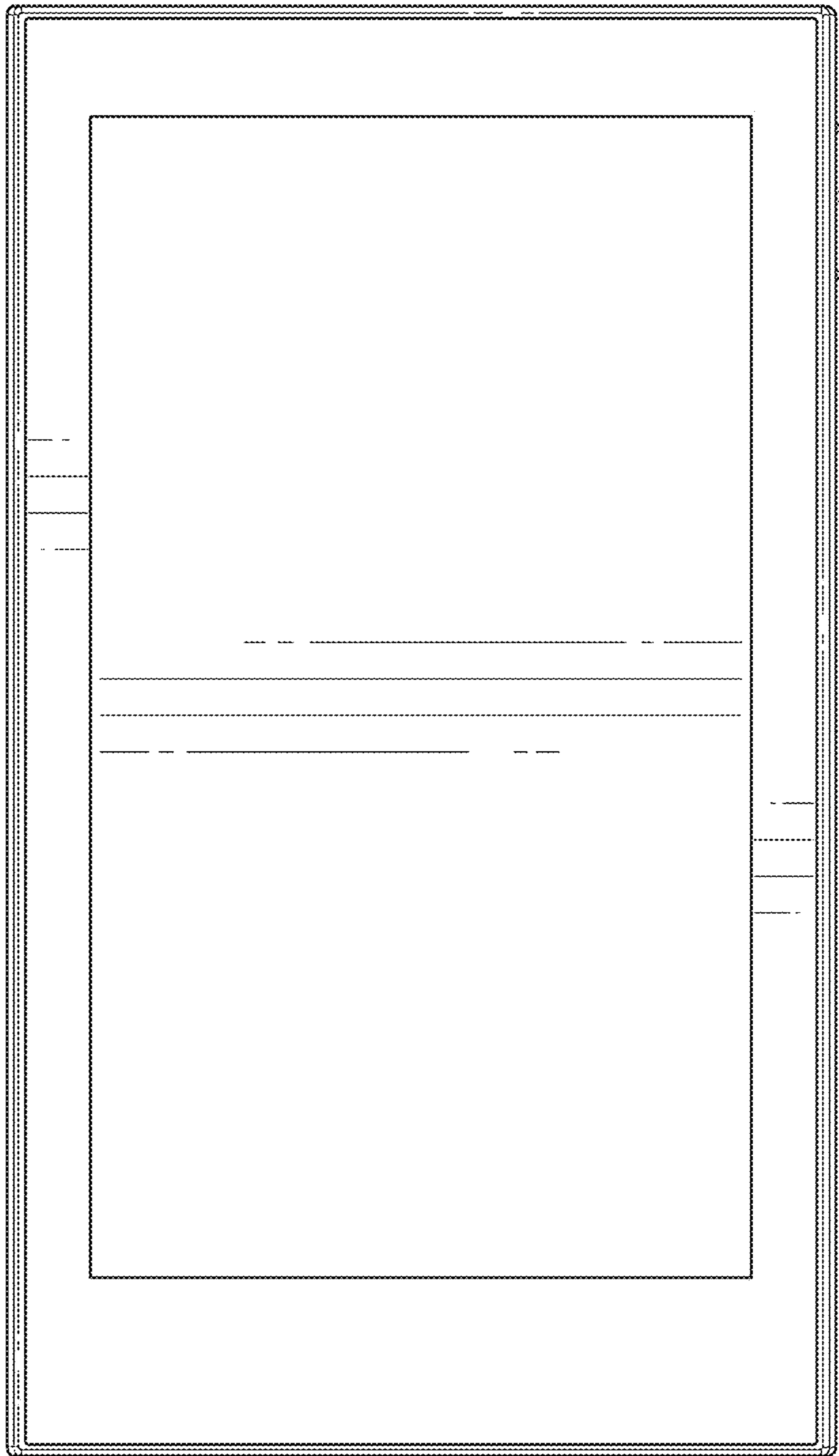


FIG. 7

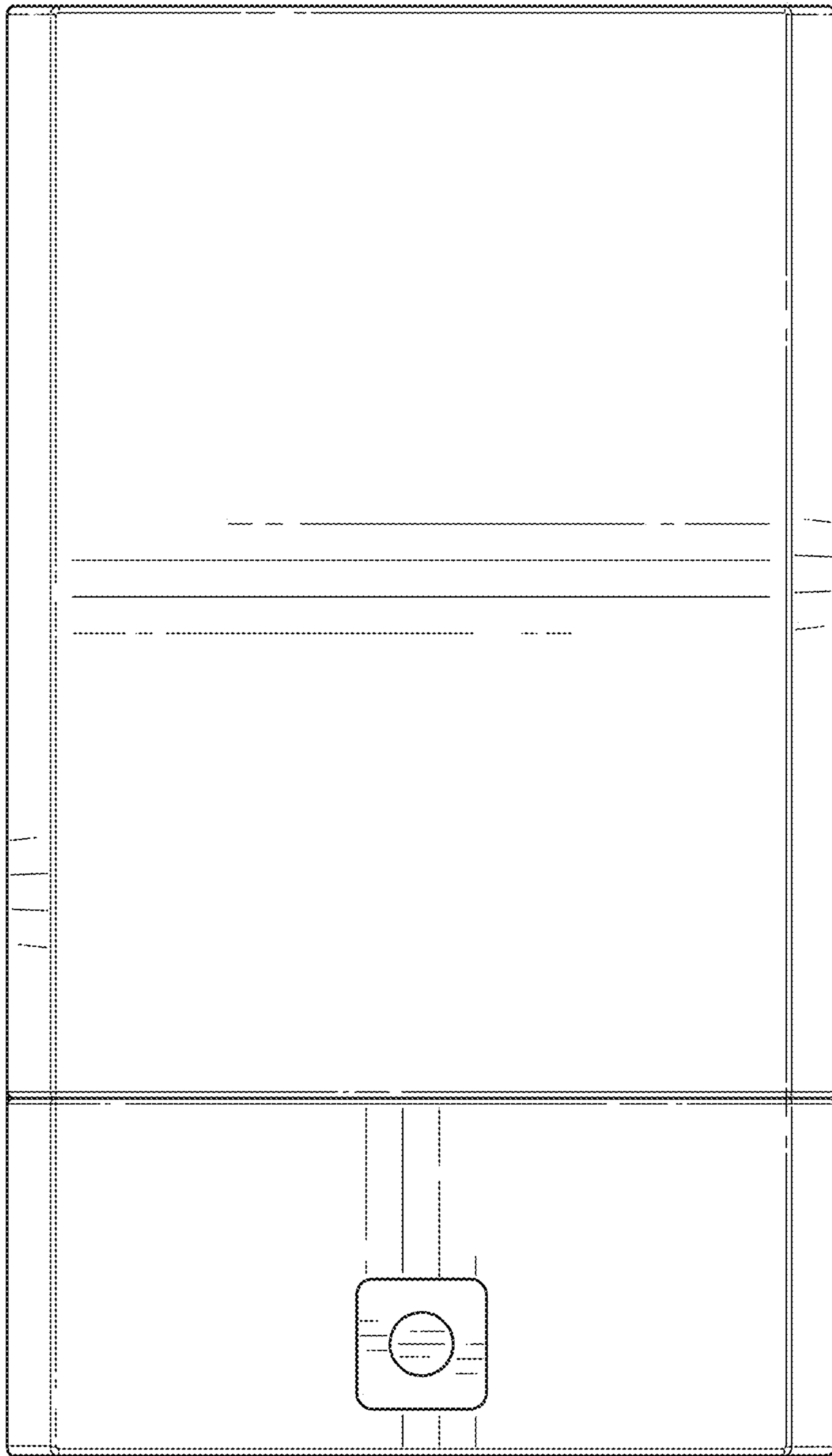


FIG. 8