



US00D936647S

(12) **United States Design Patent** (10) **Patent No.:** **US D936,647 S**  
**Akana et al.** (45) **Date of Patent:** **\*\* \*Nov. 23, 2021**

(54) **ELECTRONIC DEVICE**

(71) Applicant: **Apple Inc.**, Cupertino, CA (US)

(72) Inventors: **Jody Akana**, San Francisco, CA (US); **Bartley K. Andre**, Palo Alto, CA (US); **Jeremy Bataillou**, San Francisco, CA (US); **Daniel J. Coster**, San Francisco, CA (US); **Daniele De Iuliis**, San Francisco, CA (US); **M. Evans Hankey**, San Francisco, CA (US); **Julian Hoenig**, San Francisco, CA (US); **Richard P. Howarth**, San Francisco, CA (US); **Jonathan P. Ive**, San Francisco, CA (US); **Duncan Robert Kerr**, San Francisco, CA (US); **Shin Nishibori**, Kailua, HI (US); **Matthew Dean Rohrbach**, San Francisco, CA (US); **Peter Russell-Clarke**, San Francisco, CA (US); **Christopher J. Stringer**, Woodside, CA (US); **Eugene Antony Whang**, San Francisco, CA (US); **Rico Zörkendörfer**, San Francisco, CA (US)

(73) Assignee: **Apple Inc.**, Cupertino, CA (US)

(\*) Notice: This patent is subject to a terminal disclaimer.

(\*\*) Term: **15 Years**

(21) Appl. No.: **29/660,118**

(22) Filed: **Aug. 17, 2018**

**Related U.S. Application Data**

(60) Continuation of application No. 29/605,839, filed on May 31, 2017, now Pat. No. Des. 829,711, which is (Continued)

(51) **LOC (13) Cl.** ..... **14-02**

(52) **U.S. Cl.**  
USPC ..... **D14/336; D14/374**

(58) **Field of Classification Search**

USPC ..... D14/334-337, 371, 374-382, 126-129, D14/314, 451-452, 447, 339-340, 316, D14/307

(Continued)

(56) **References Cited**

**U.S. PATENT DOCUMENTS**

D434,763 S 12/2000 Jobs et al.  
D448,031 S \* 9/2001 Goetz ..... D14/374

(Continued)

**OTHER PUBLICATIONS**

Ralph, Nate, 7 Great All-in-One Desktop PCs, posting date Mar. 26, 2012. Site visited Nov. 6, 2020. URL: <[https://www.pcworld.com/article/251388/7\\_great\\_all\\_in\\_one\\_desktop\\_pcs.html](https://www.pcworld.com/article/251388/7_great_all_in_one_desktop_pcs.html)> (Year: 2012).\*

(Continued)

*Primary Examiner* — Kathleen L Jones

(74) *Attorney, Agent, or Firm* — Saidman DesignLaw Group, LLC

(57) **CLAIM**

The ornamental design for an electronic device, as shown and described.

**DESCRIPTION**

FIG. 1 is a perspective view of an electronic device showing our new design;

FIG. 2 is a rear perspective view thereof;

FIG. 3 is another rear perspective view thereof;

FIG. 4 is a front view thereof;

FIG. 5 is a rear view thereof;

FIG. 6 is a left side view thereof;

FIG. 7 is a right side view thereof;

FIG. 8 is a top view thereof;

FIG. 9 is a bottom view thereof;

FIG. 10 is a perspective view of a second embodiment thereof;

FIG. 11 is a rear perspective view thereof;

(Continued)

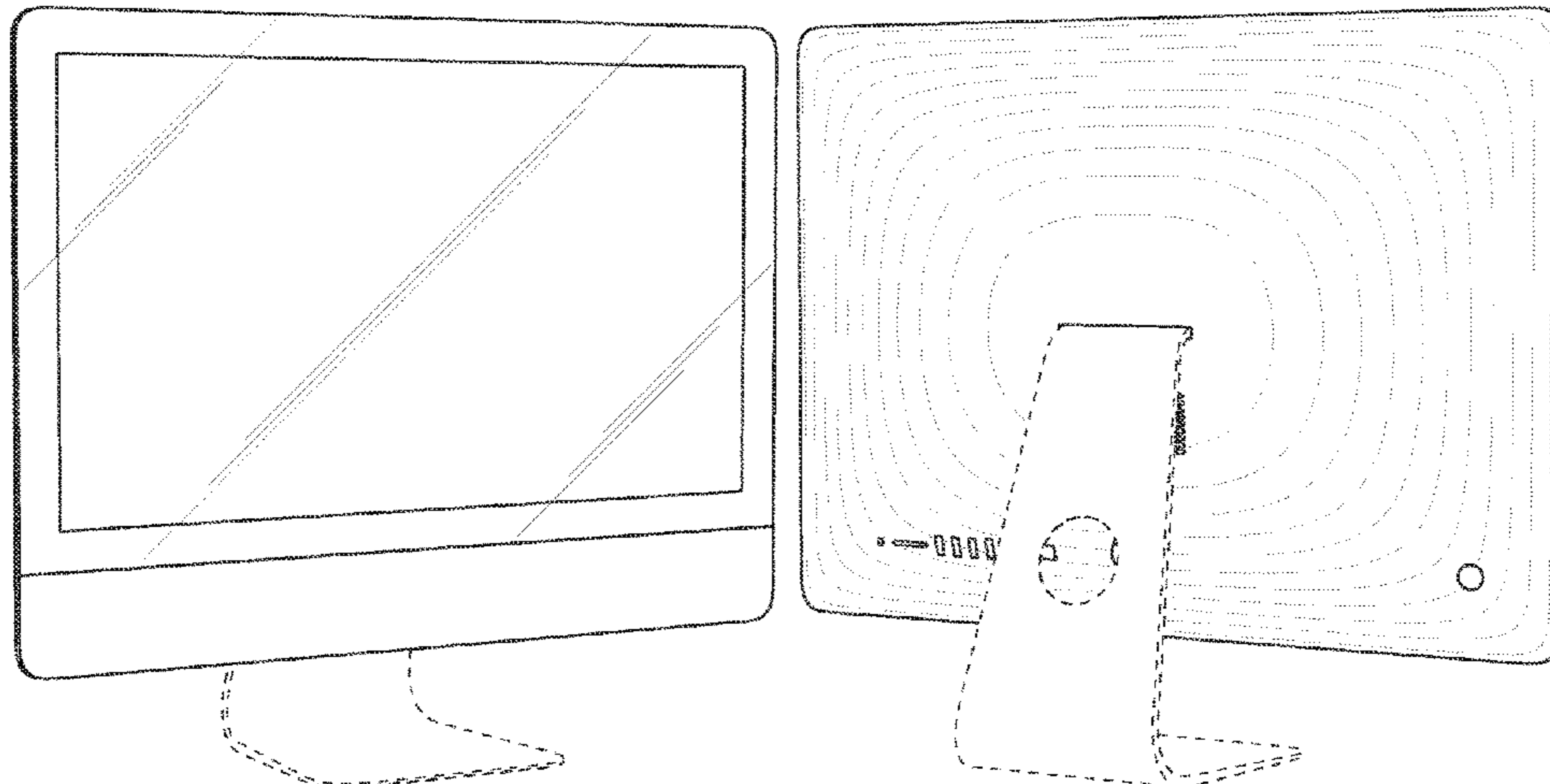


FIG. 12 is another rear perspective view thereof;  
FIG. 13 is a front view thereof;  
FIG. 14 is a rear view thereof;  
FIG. 15 is a left side view thereof;  
FIG. 16 is a right side view thereof;  
FIG. 17 is a top view thereof; and,  
FIG. 18 is a bottom view thereof.  
The broken lines illustrate structure or features which form no part of the claimed design.  
The relatively light shade lines on the surface portions indicate contour and not surface decoration.  
The claimed design extends up to and includes the edges of the input port openings, circular features, and vent features on the rear surface of the device. No interior features of the ports, circular features, or vent features form part of the claimed design.

**1 Claim, 11 Drawing Sheets**

**Related U.S. Application Data**

a continuation of application No. 29/554,646, filed on Feb. 12, 2016, now Pat. No. Des. 791,763, which is a division of application No. 29/497,123, filed on Jul. 21, 2014, now Pat. No. Des. 752,035, which is a division of application No. 29/431,443, filed on Sep. 7, 2012, now Pat. No. Des. 712,397.

(58) **Field of Classification Search**  
CPC ..... G06F 1/1601; G06F 1/1605; G06F 1/162  
See application file for complete search history.

(56) **References Cited**

U.S. PATENT DOCUMENTS

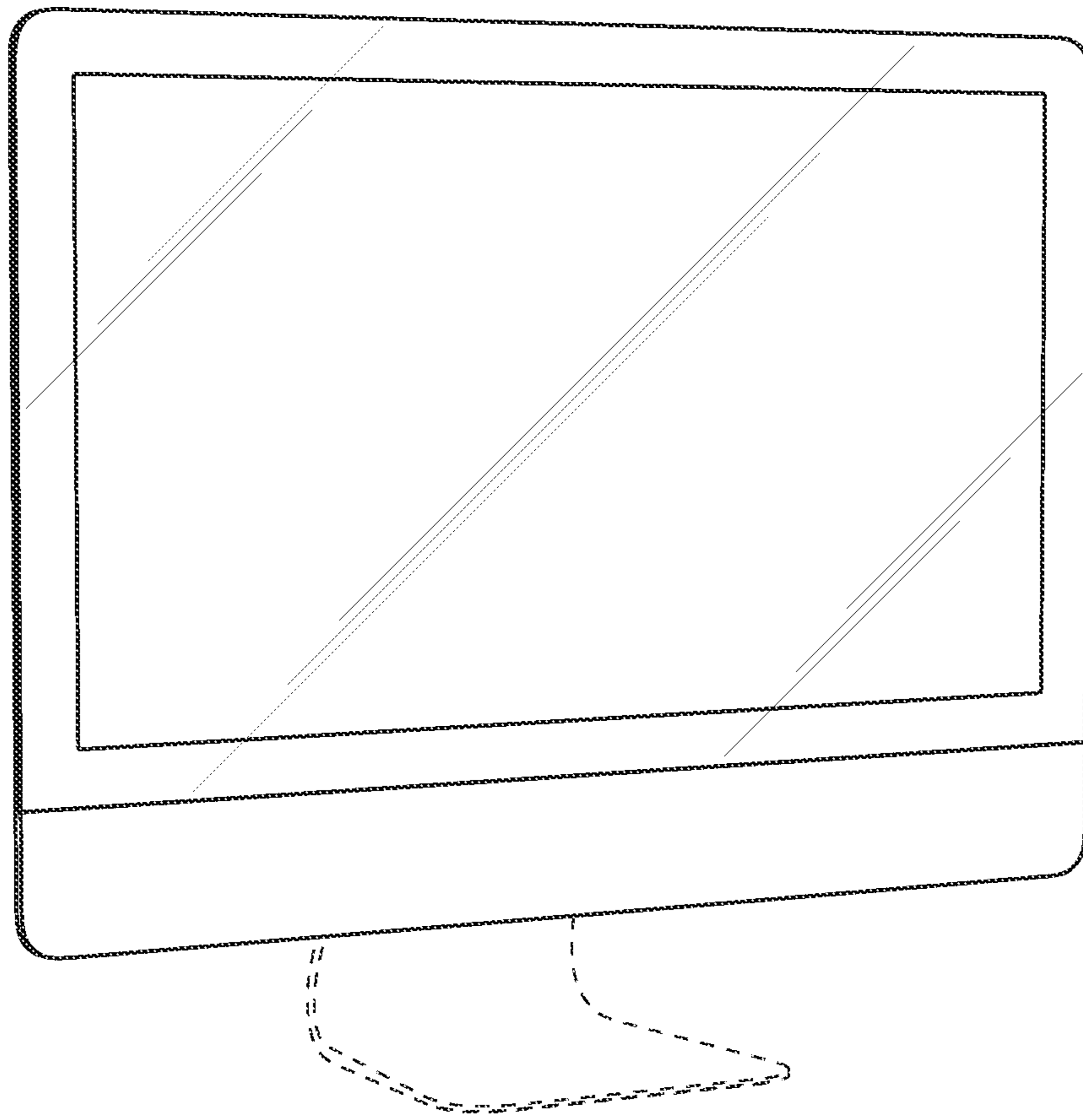
|          |     |         |              |         |
|----------|-----|---------|--------------|---------|
| D456,023 | S   | 4/2002  | Andre et al. |         |
| D504,889 | S   | 5/2005  | Andre et al. |         |
| D531,631 | S   | 11/2006 | Andre et al. |         |
| D532,011 | S   | 11/2006 | Andre et al. |         |
| D533,150 | S * | 12/2006 | Chia .....   | D14/126 |
| D541,799 | S   | 5/2007  | Andre et al. |         |
| D556,755 | S   | 12/2007 | Lee et al.   |         |
| D564,465 | S   | 3/2008  | Onoda        |         |
| D577,694 | S   | 9/2008  | Shih et al.  |         |
| D585,034 | S   | 1/2009  | Chu          |         |
| D600,696 | S   | 9/2009  | Andre et al. |         |
| D604,733 | S   | 11/2009 | Andre et al. |         |
| D605,193 | S   | 12/2009 | Andre et al. |         |
| D609,705 | S   | 2/2010  | Andre et al. |         |
| D610,138 | S   | 2/2010  | Andre et al. |         |
| D618,241 | S   | 6/2010  | Akana et al. |         |
| D618,242 | S   | 6/2010  | Akana et al. |         |
| D620,932 | S   | 8/2010  | Andre et al. |         |
| D621,830 | S   | 8/2010  | Andre et al. |         |
| D621,833 | S   | 8/2010  | Chang et al. |         |
| D621,841 | S   | 8/2010  | Andre et al. |         |
| D627,777 | S * | 11/2010 | Akana .....  | D14/341 |
| D630,210 | S   | 1/2011  | Andre et al. |         |
| D638,013 | S   | 5/2011  | Andre et al. |         |
| D651,602 | S   | 1/2012  | Andre et al. |         |

|              |      |         |                 |                      |
|--------------|------|---------|-----------------|----------------------|
| D651,607     | S    | 1/2012  | Akana et al.    |                      |
| D655,286     | S *  | 3/2012  | Cherian .....   | D14/337              |
| D656,501     | S    | 3/2012  | Andre et al.    |                      |
| D658,190     | S    | 4/2012  | Akana et al.    |                      |
| D658,646     | S    | 5/2012  | Akana et al.    |                      |
| D661,305     | S    | 6/2012  | Andre et al.    |                      |
| D661,311     | S    | 6/2012  | Akana et al.    |                      |
| D671,595     | S *  | 11/2012 | O'Hara .....    | D19/114              |
| D677,257     | S    | 3/2013  | Andre et al.    |                      |
| D684,572     | S    | 6/2013  | Akana et al.    |                      |
| D684,581     | S    | 6/2013  | Akana et al.    |                      |
| D691,606     | S    | 10/2013 | Andre et al.    |                      |
| D694,250     | S    | 11/2013 | Andre et al.    |                      |
| D695,244     | S *  | 12/2013 | Wolff .....     | D14/126              |
| D698,351     | S *  | 1/2014  | Jasinski .....  | D14/336              |
| D710,348     | S    | 8/2014  | Akana et al.    |                      |
| D710,356     | S    | 8/2014  | Akana et al.    |                      |
| D712,397     | S *  | 9/2014  | Akana .....     | D14/336              |
| D719,158     | S    | 12/2014 | Akana et al.    |                      |
| D724,040     | S *  | 3/2015  | Chan .....      | D14/126              |
| D727,898     | S *  | 4/2015  | Yum .....       | D14/374              |
| D727,899     | S *  | 4/2015  | Lee .....       | D14/374              |
| D727,900     | S *  | 4/2015  | Lee .....       | D14/374              |
| D730,308     | S    | 5/2015  | Akana et al.    |                      |
| RE45,547     | E *  | 6/2015  | Andre .....     | D14/375              |
| D732,496     | S *  | 6/2015  | Mellingen ..... | D14/126              |
| D737,232     | S *  | 8/2015  | Choi .....      | D14/126              |
| D739,364     | S *  | 9/2015  | Mellingen ..... | D14/126              |
| RE45,816     | E *  | 12/2015 | Andre .....     | D14/375              |
| D752,035     | S    | 3/2016  | Akana et al.    |                      |
| D752,587     | S *  | 3/2016  | Gong .....      | D14/375              |
| D756,320     | S *  | 5/2016  | Wu .....        | D14/126              |
| D765,615     | S *  | 9/2016  | Kim .....       | D14/126              |
| D766,909     | S    | 9/2016  | Andre et al.    |                      |
| D769,874     | S *  | 10/2016 | Kung .....      | D14/374              |
| D790,543     | S *  | 6/2017  | Chu .....       | D14/374              |
| D791,763     | S    | 7/2017  | Akana et al.    |                      |
| D799,483     | S *  | 10/2017 | Won .....       | D14/376              |
| D804,476     | S *  | 12/2017 | Hallar .....    | D14/375              |
| D819,029     | S *  | 5/2018  | Seo .....       | D14/374              |
| D819,585     | S *  | 6/2018  | Kang .....      | D14/126              |
| D826,887     | S *  | 8/2018  | Kymm .....      | D14/126              |
| D829,711     | S *  | 10/2018 | Akana .....     | D14/336              |
| D836,110     | S *  | 12/2018 | Quijano .....   | D14/374              |
| D849,703     | S *  | 5/2019  | Kim .....       | D14/126              |
| D850,393     | S *  | 6/2019  | Kim .....       | D14/126              |
| D860,964     | S *  | 9/2019  | Hou .....       | D14/129              |
| D862,470     | S *  | 10/2019 | Kang .....      | D14/374              |
| D878,314     | S *  | 3/2020  | Seong .....     | D14/126              |
| D888,054     | S *  | 6/2020  | Tai .....       | D14/374              |
| D888,681     | S *  | 6/2020  | Kim .....       | D14/126              |
| D892,070     | S *  | 8/2020  | Kim .....       | D14/126              |
| D893,201     | S *  | 8/2020  | Jiang .....     | D6/308               |
| D907,643     | S *  | 1/2021  | Wengreen .....  | D14/447              |
| D909,368     | S *  | 2/2021  | Seo .....       | D14/336              |
| D911,300     | S *  | 2/2021  | Park .....      | D14/126              |
| D912,049     | S *  | 3/2021  | Zhang .....     | D14/375              |
| 2003/0058372 | A1   | 3/2003  | Williams et al. |                      |
| 2009/0268108 | A1   | 10/2009 | Hamada          |                      |
| 2011/0080375 | A1 * | 4/2011  | Chikazawa ..... | G06F 1/20<br>345/175 |

OTHER PUBLICATIONS

U.S. Appl. No. 29/455,071 of Jody Akana et al. titled "Electronic Device," filed May 16, 2013 (abandoned).

\* cited by examiner



*Fig. 1*

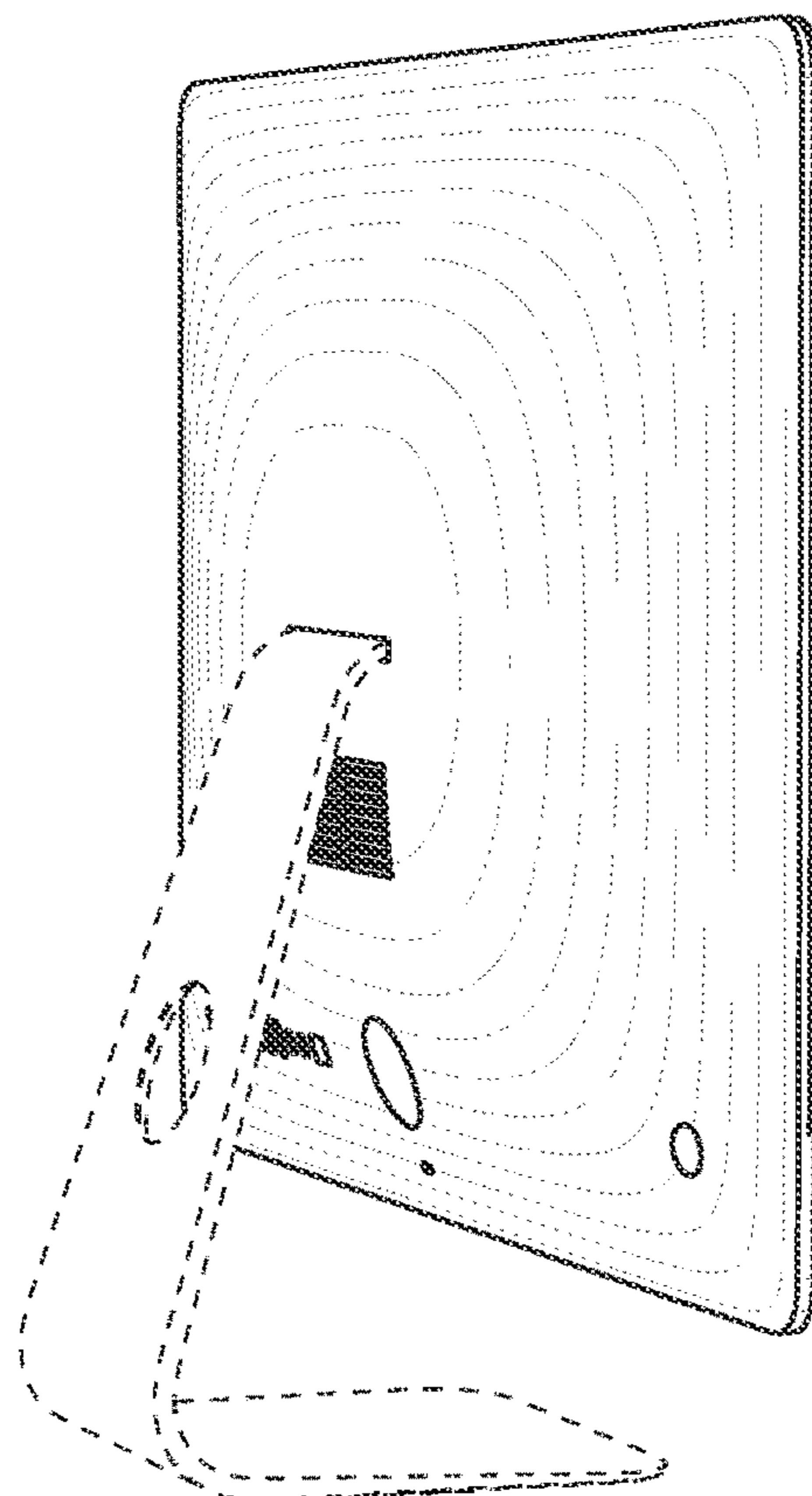
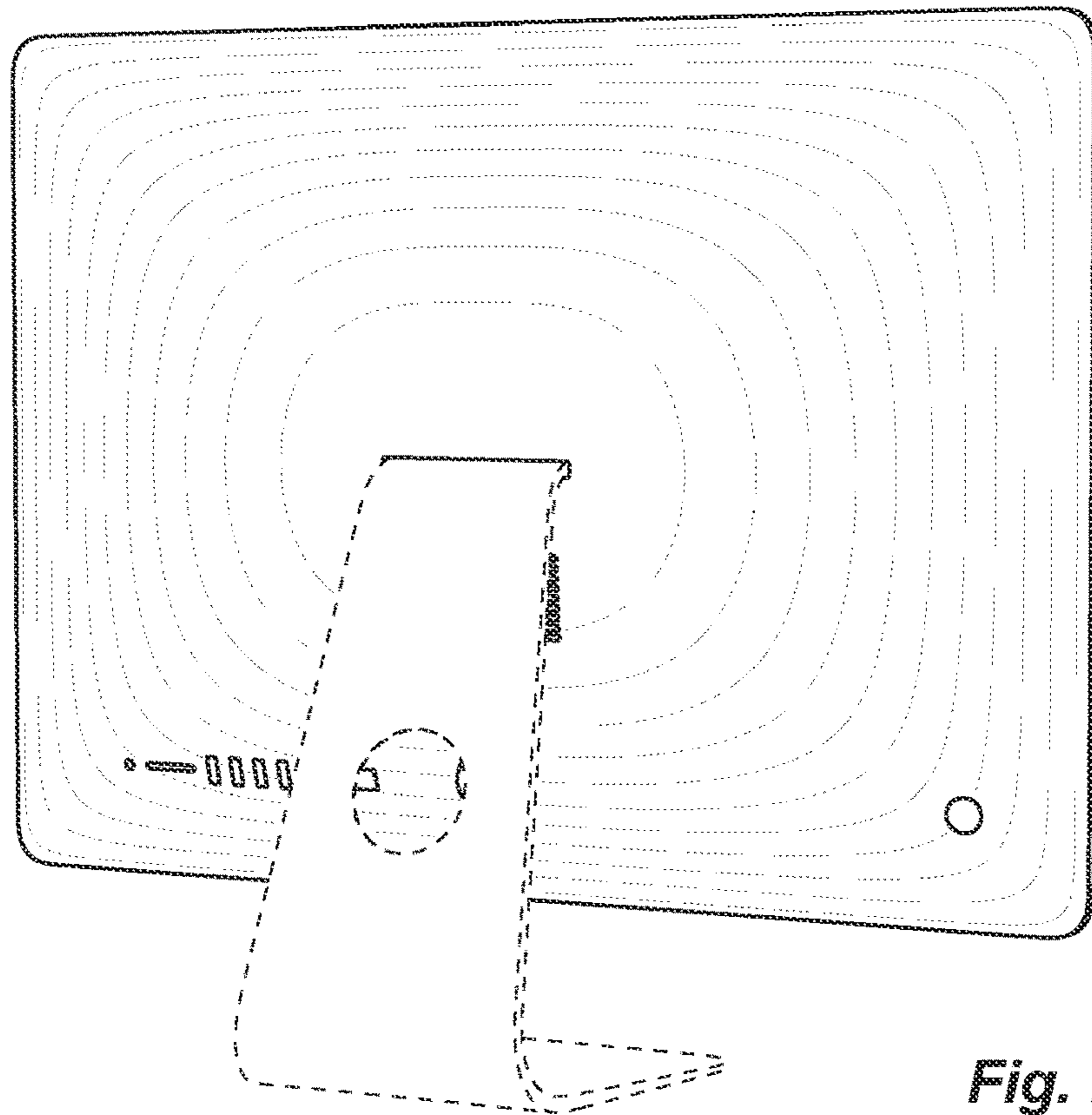
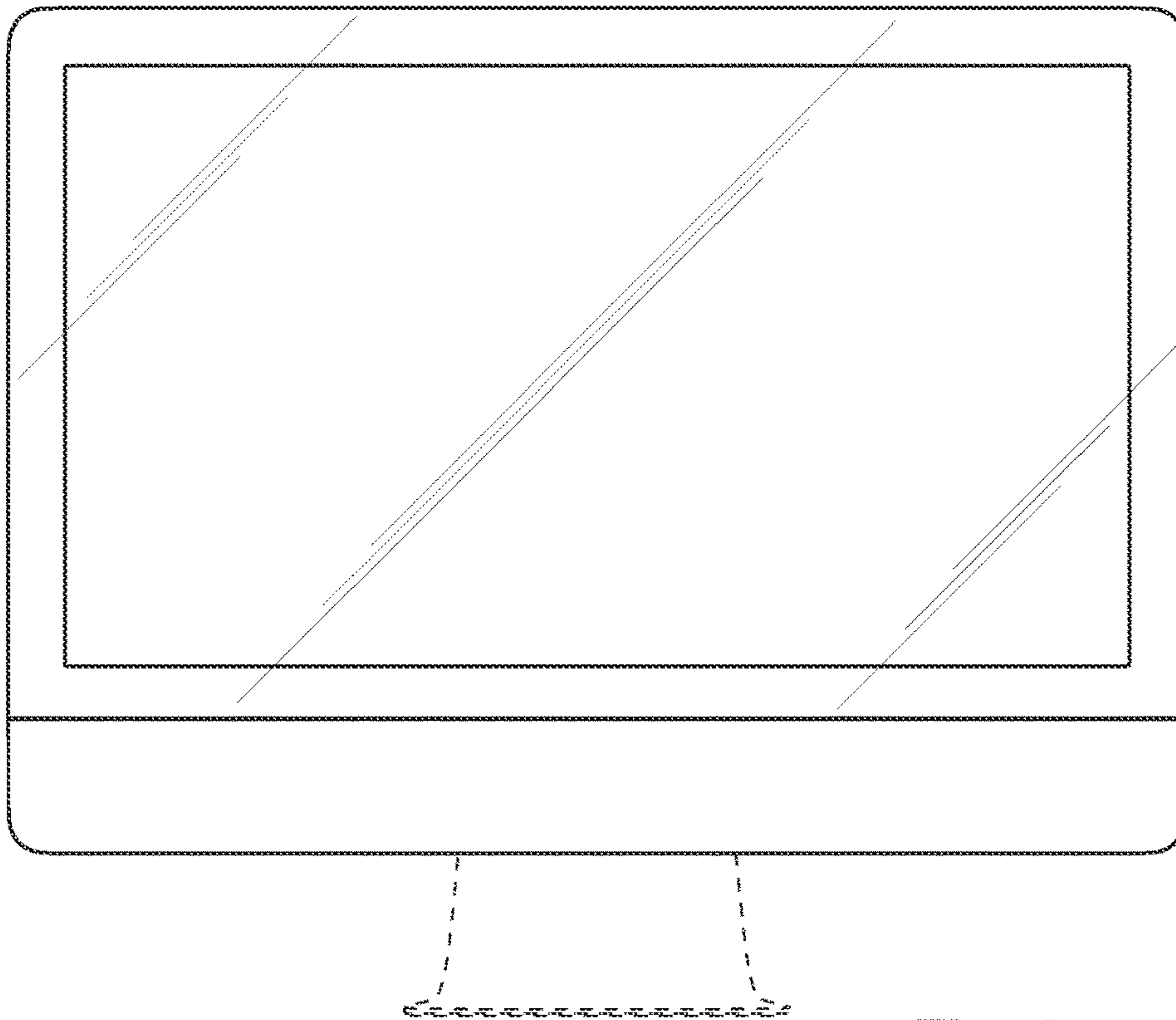
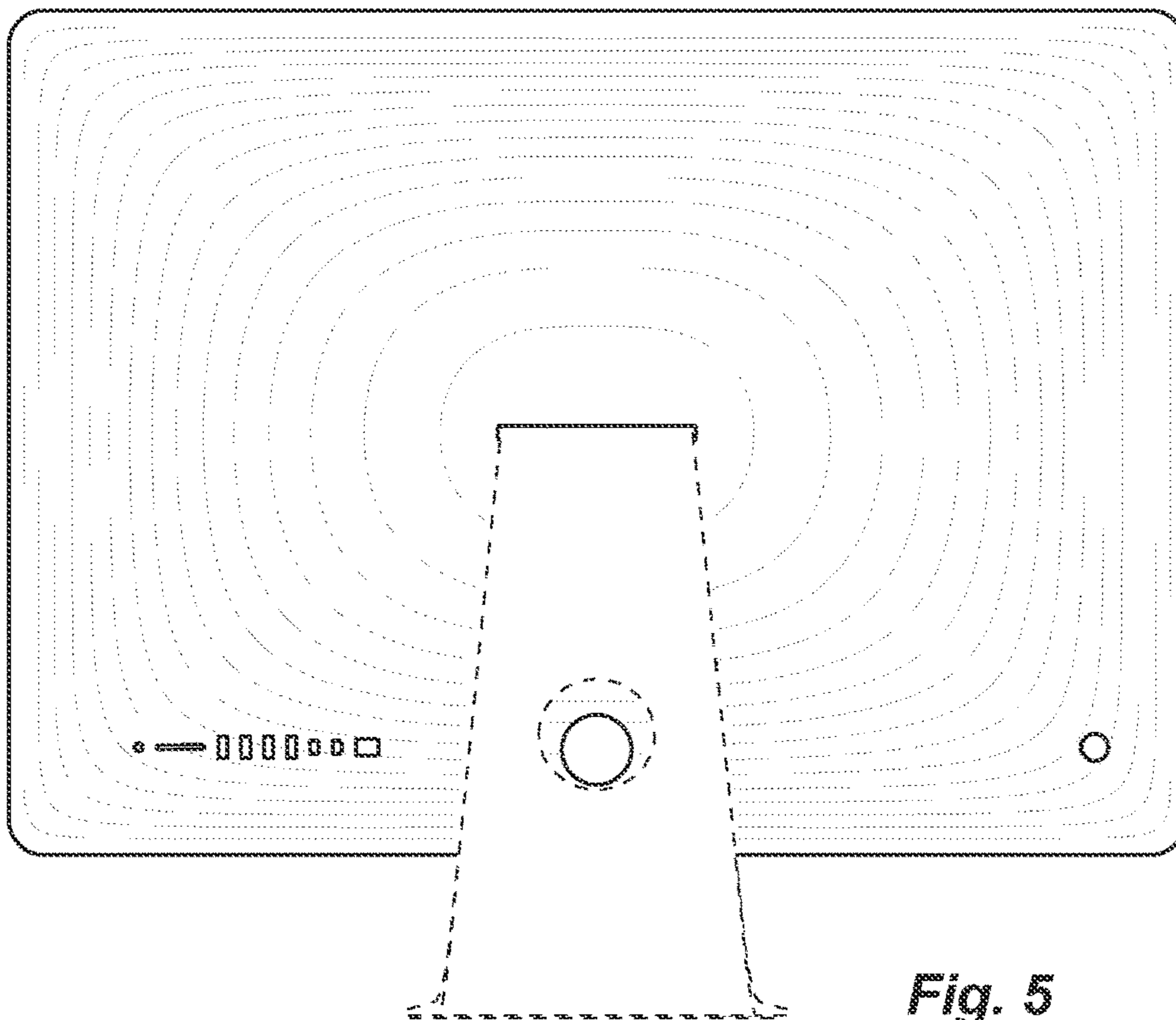


Fig. 2

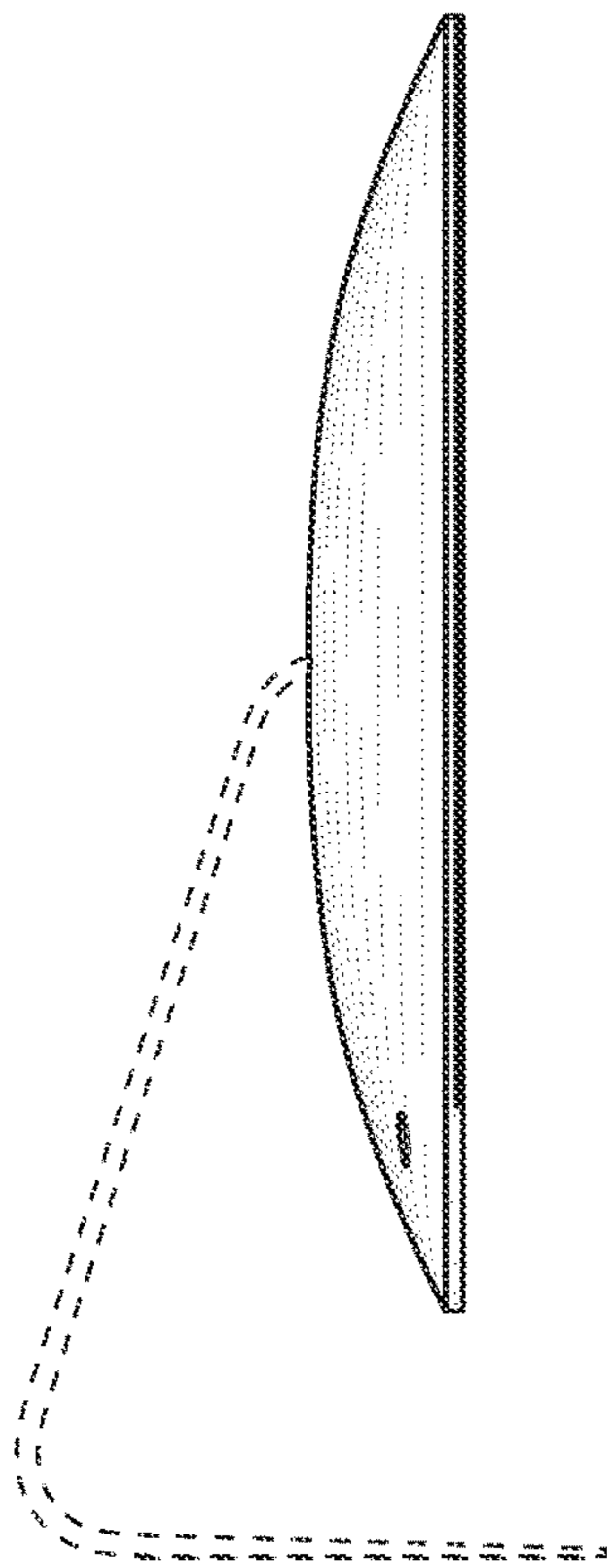
Fig. 3



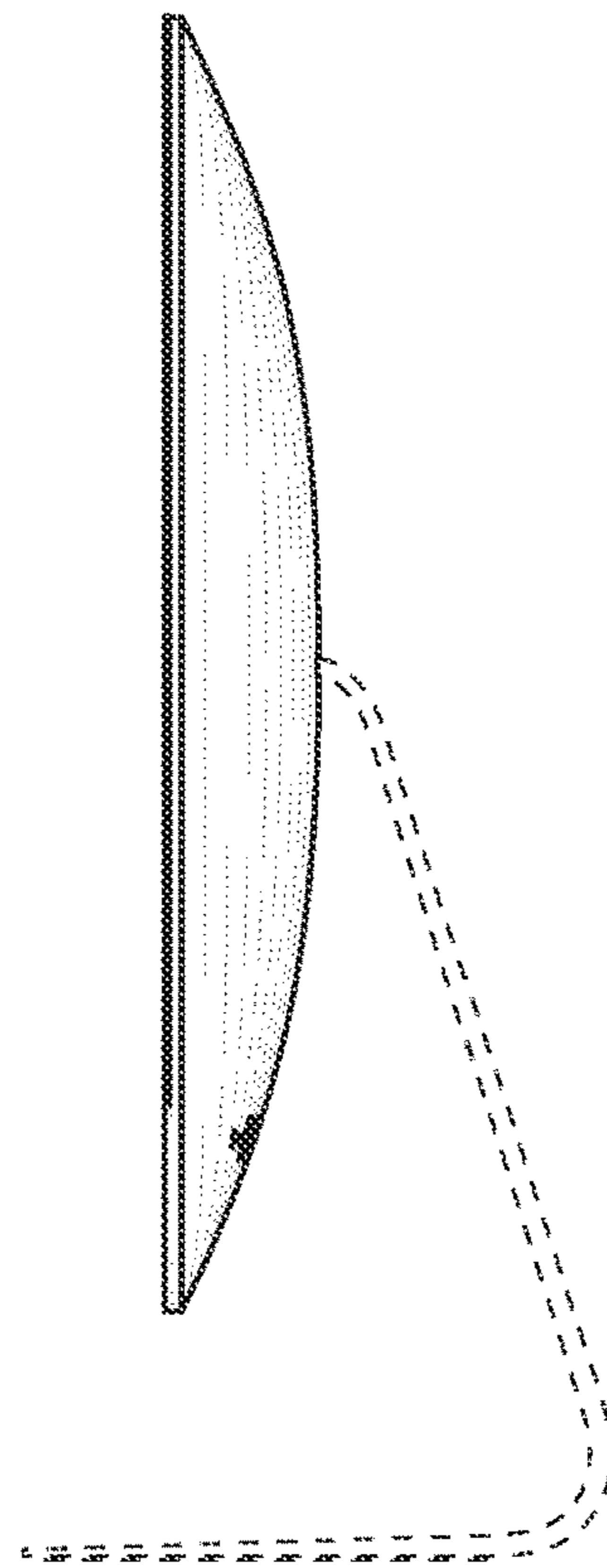
**Fig. 4**



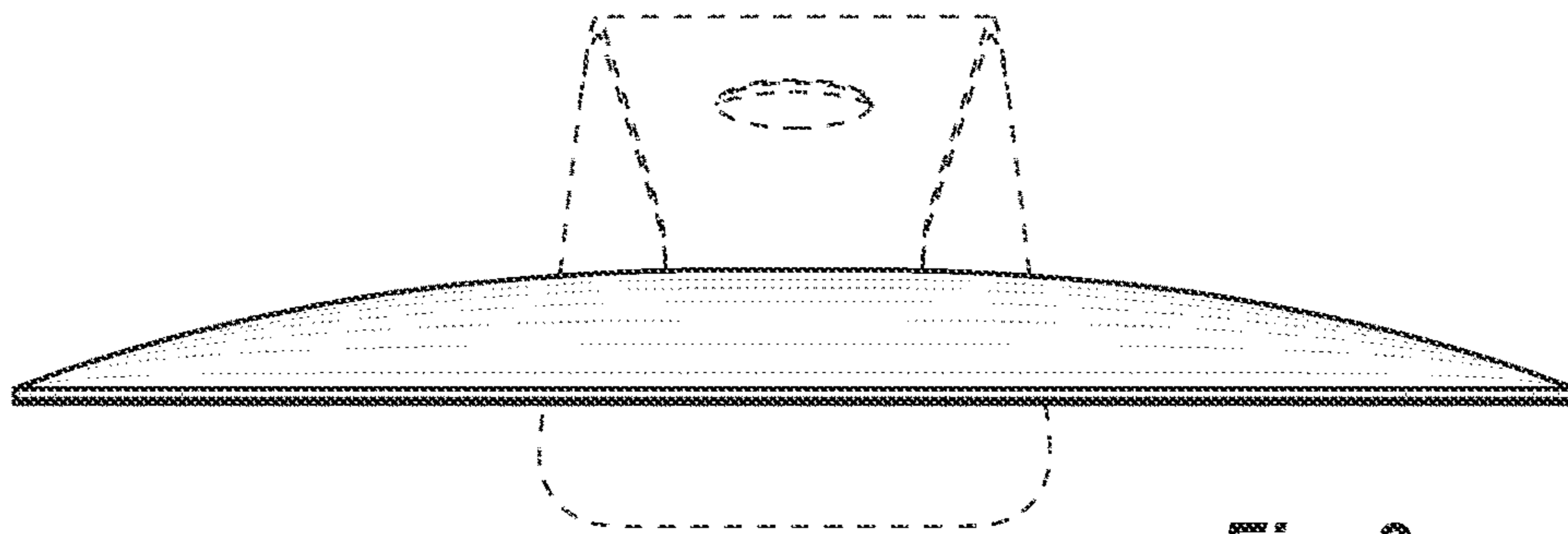
**Fig. 5**



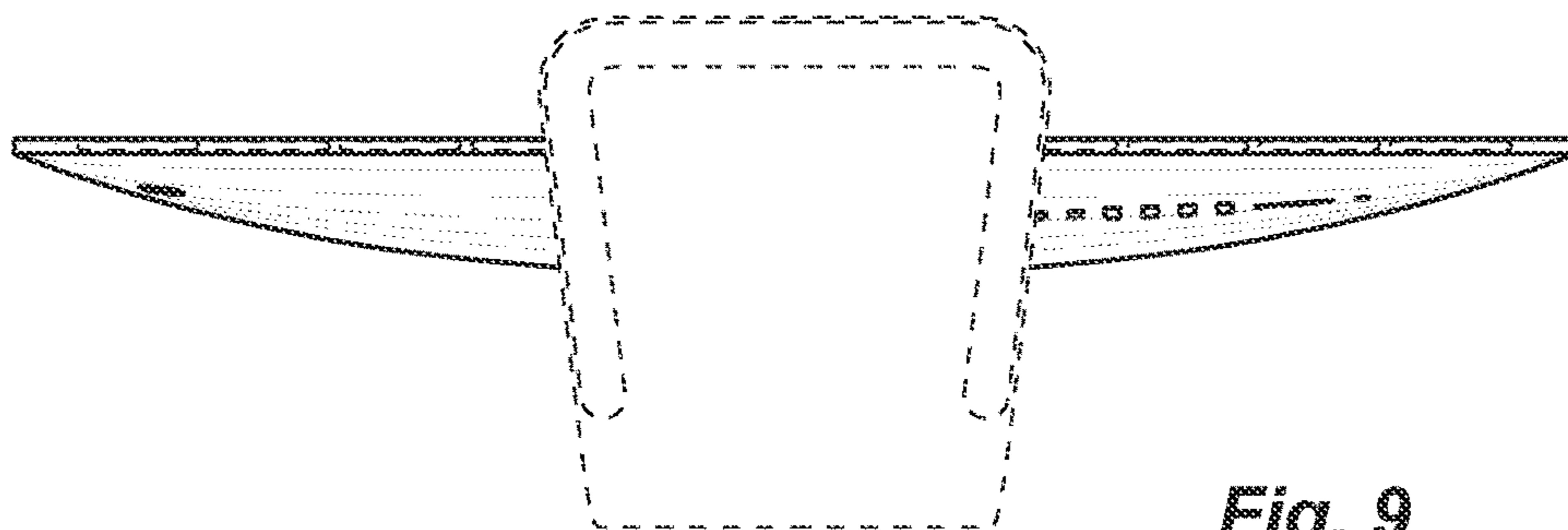
*Fig. 6*



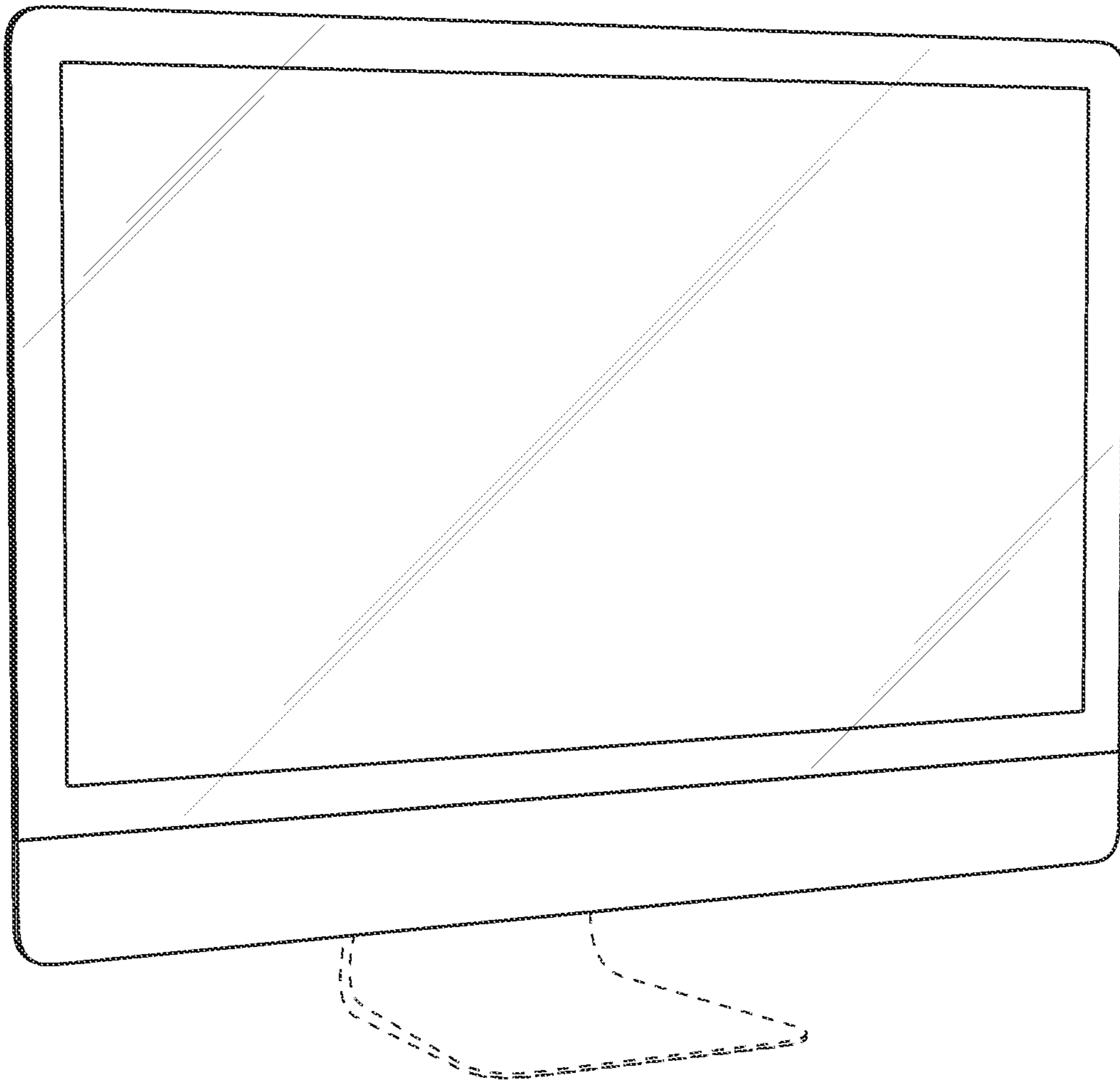
*Fig. 7*



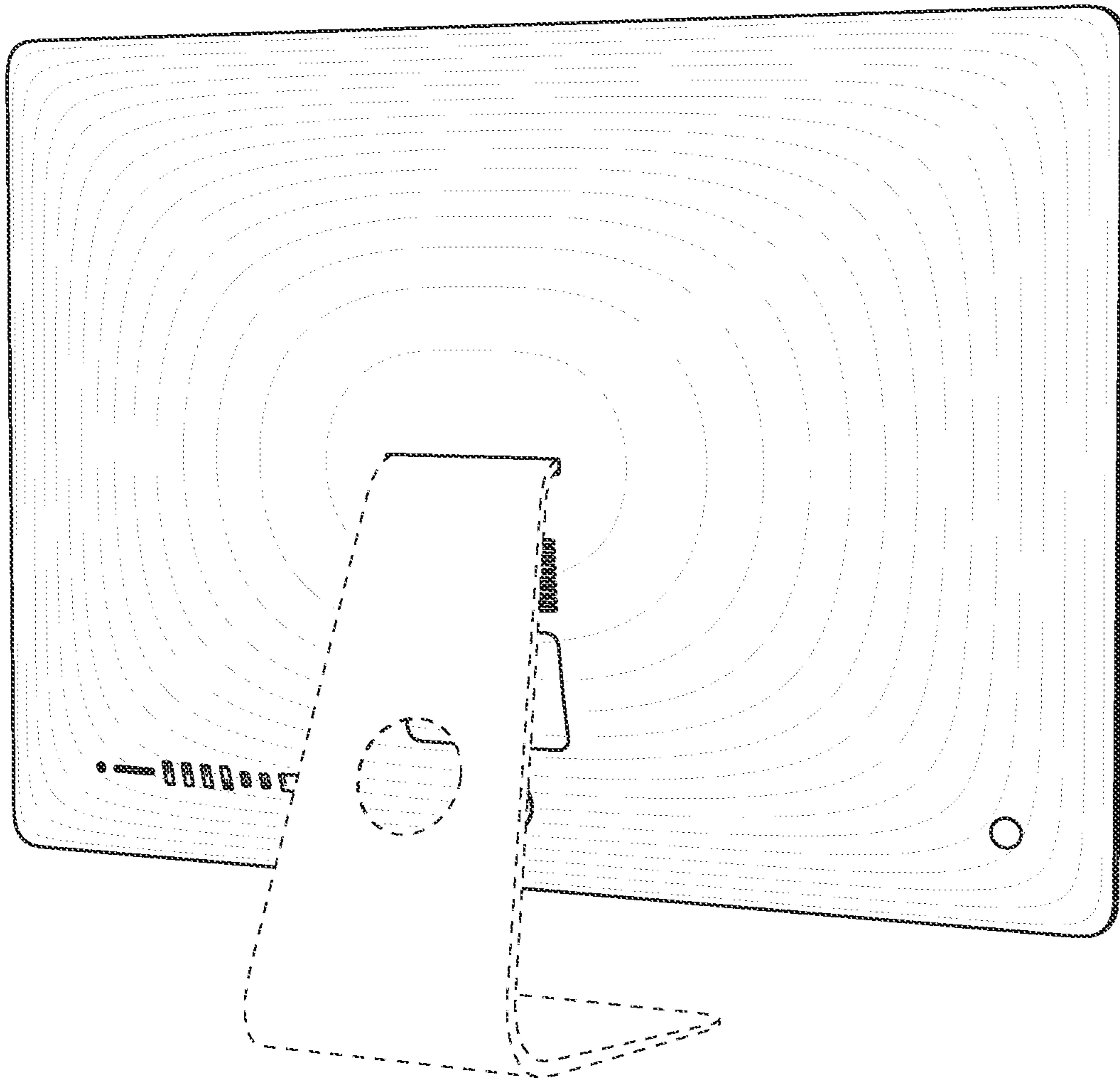
*Fig. 8*



*Fig. 9*

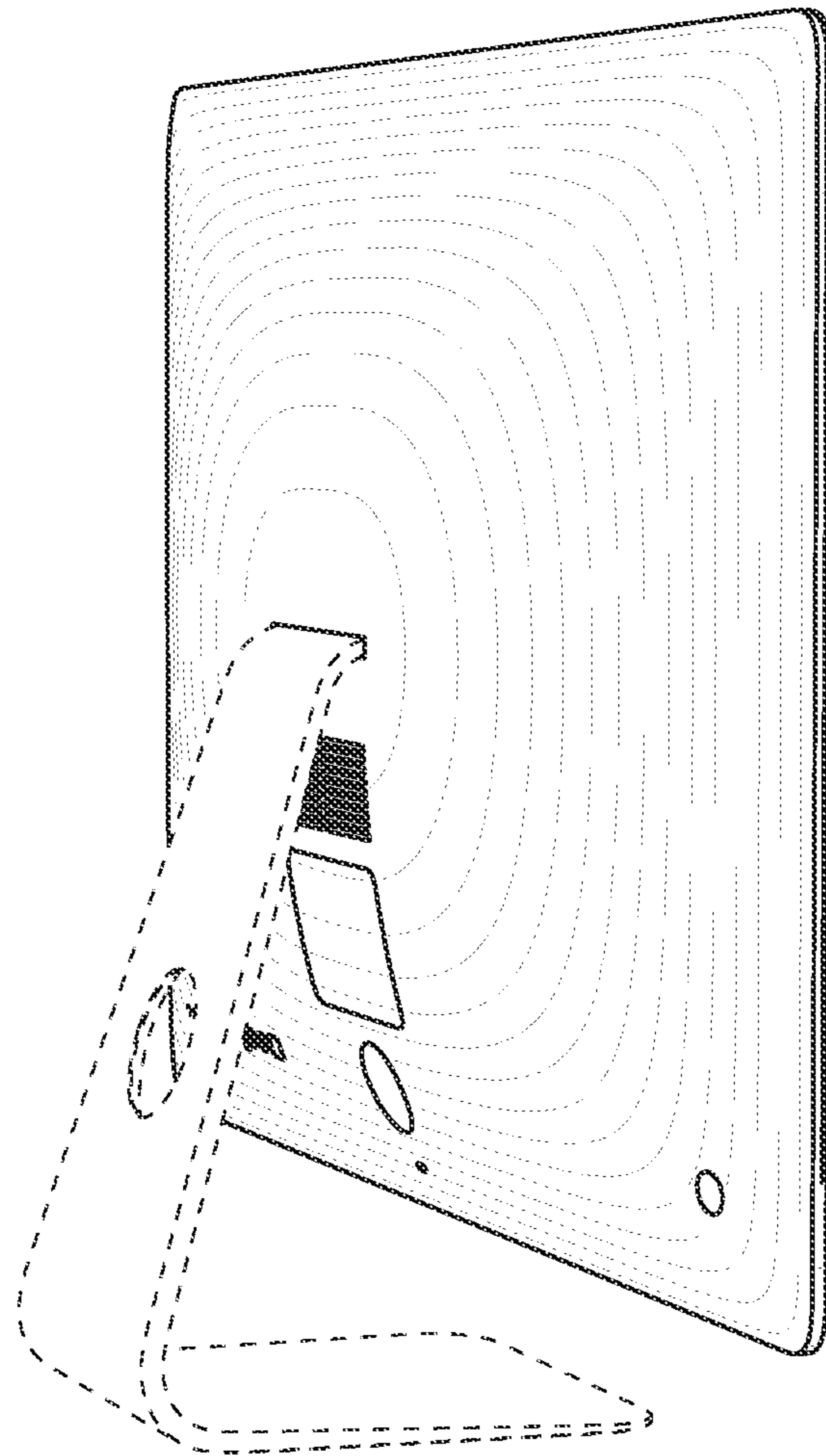


*Fig. 10*

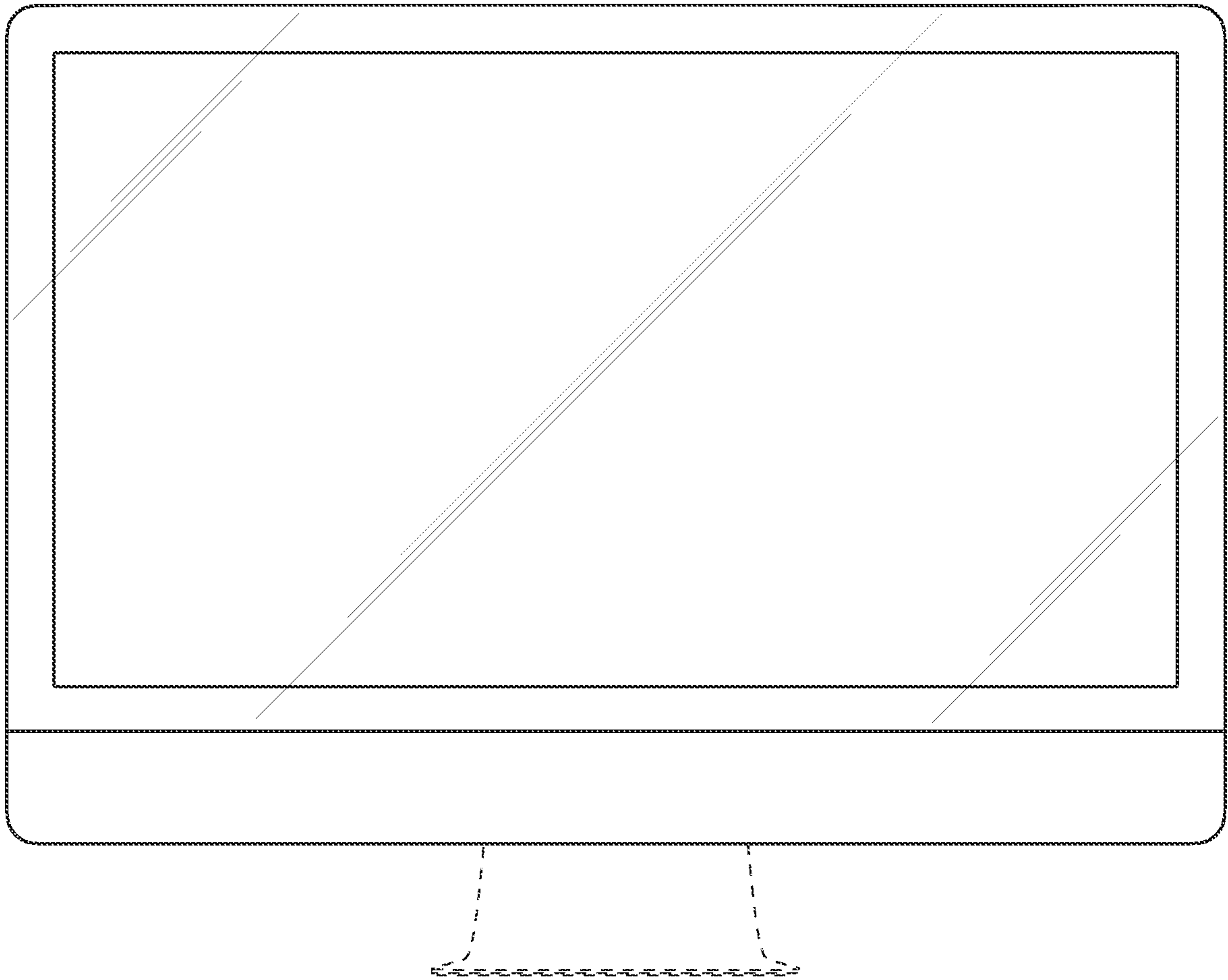


*Fig. 11*

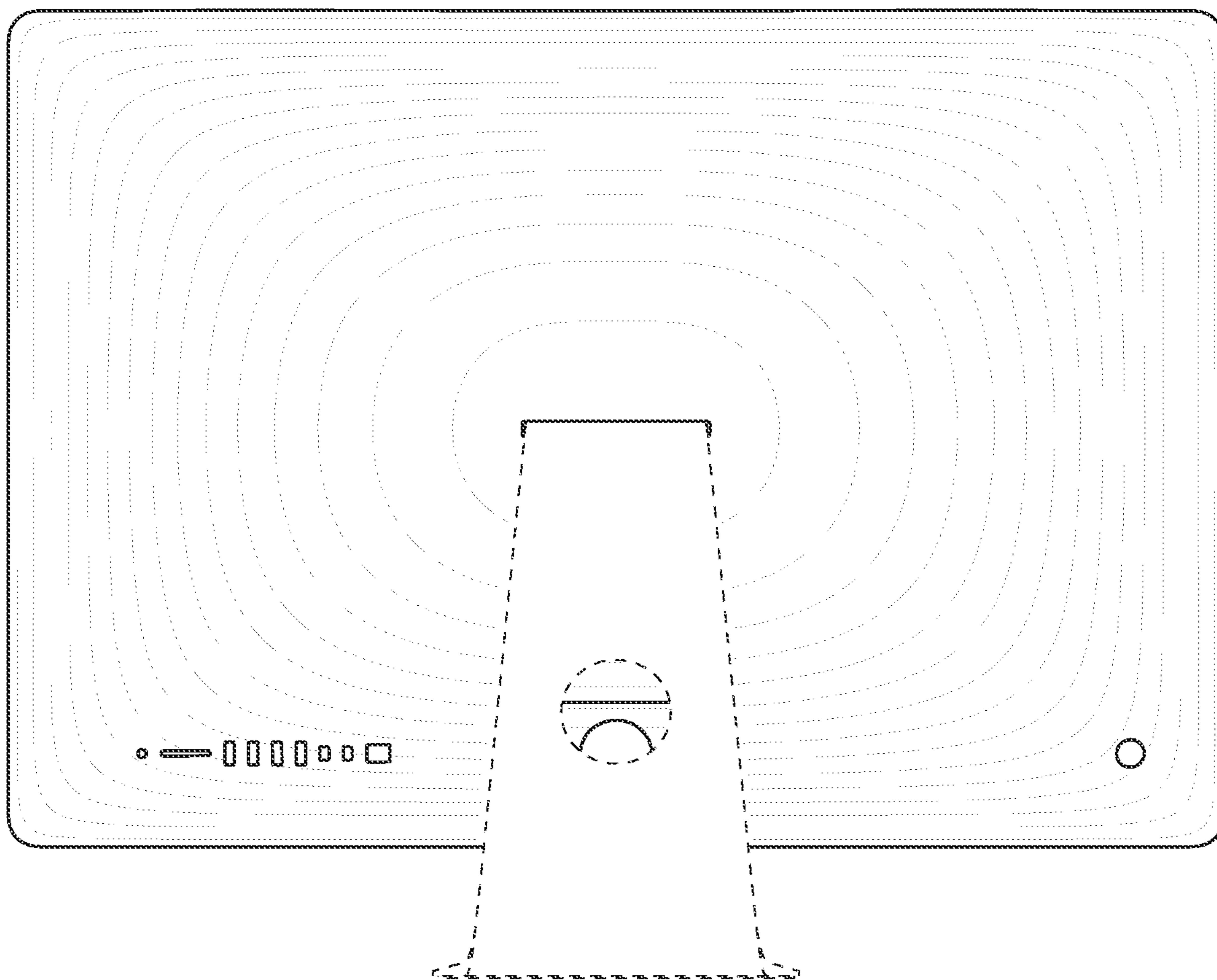




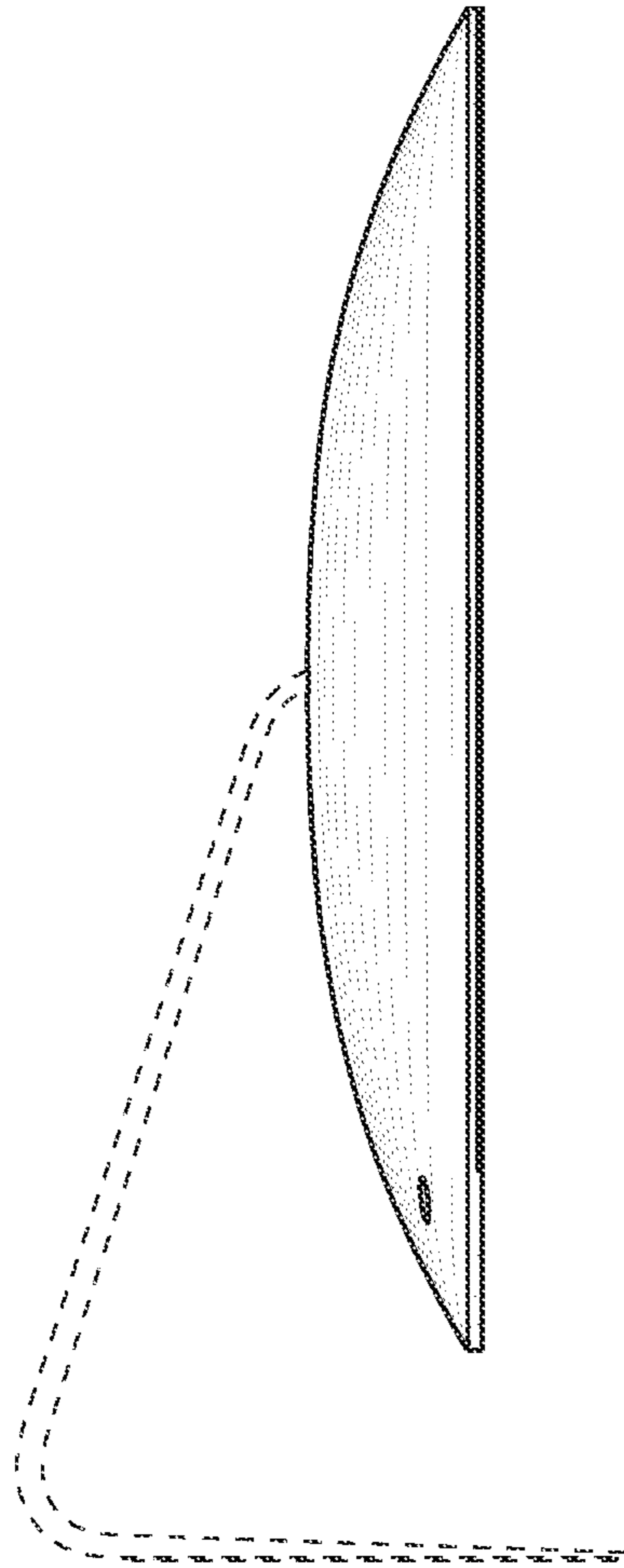
**Fig. 12**



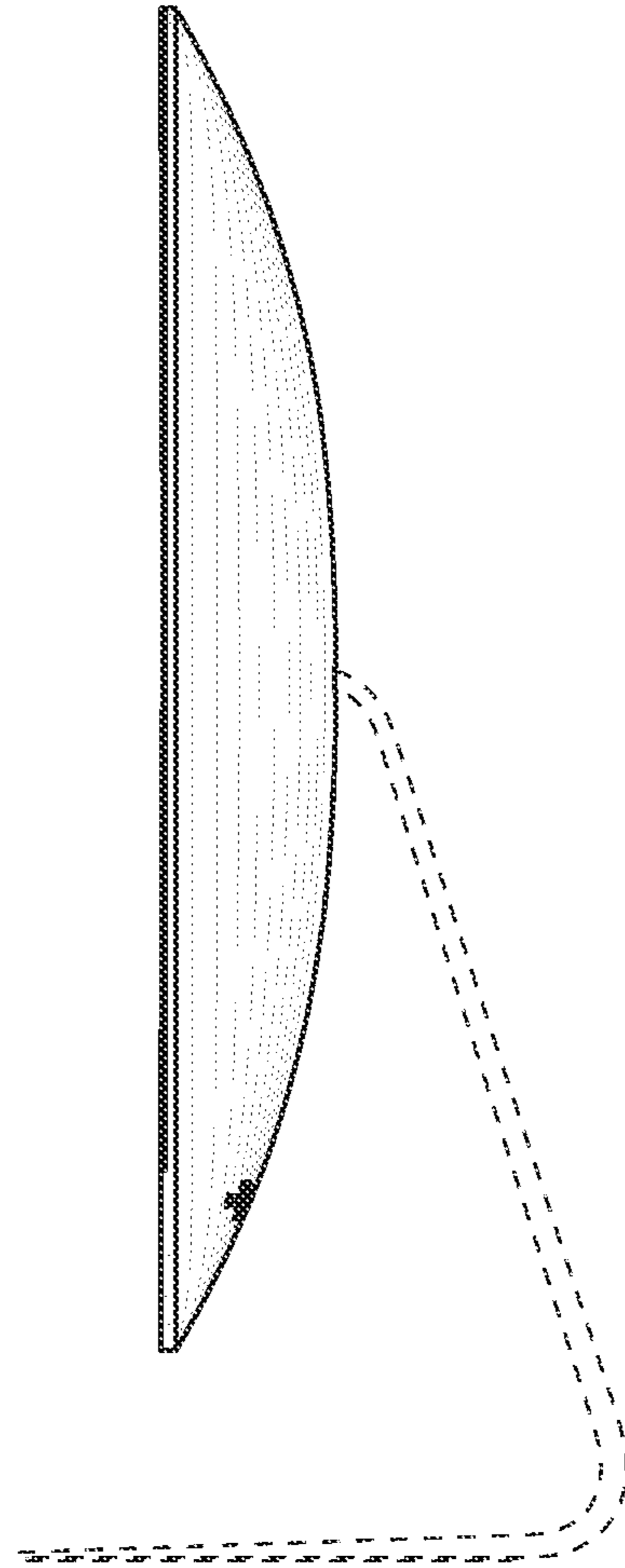
*Fig. 13*



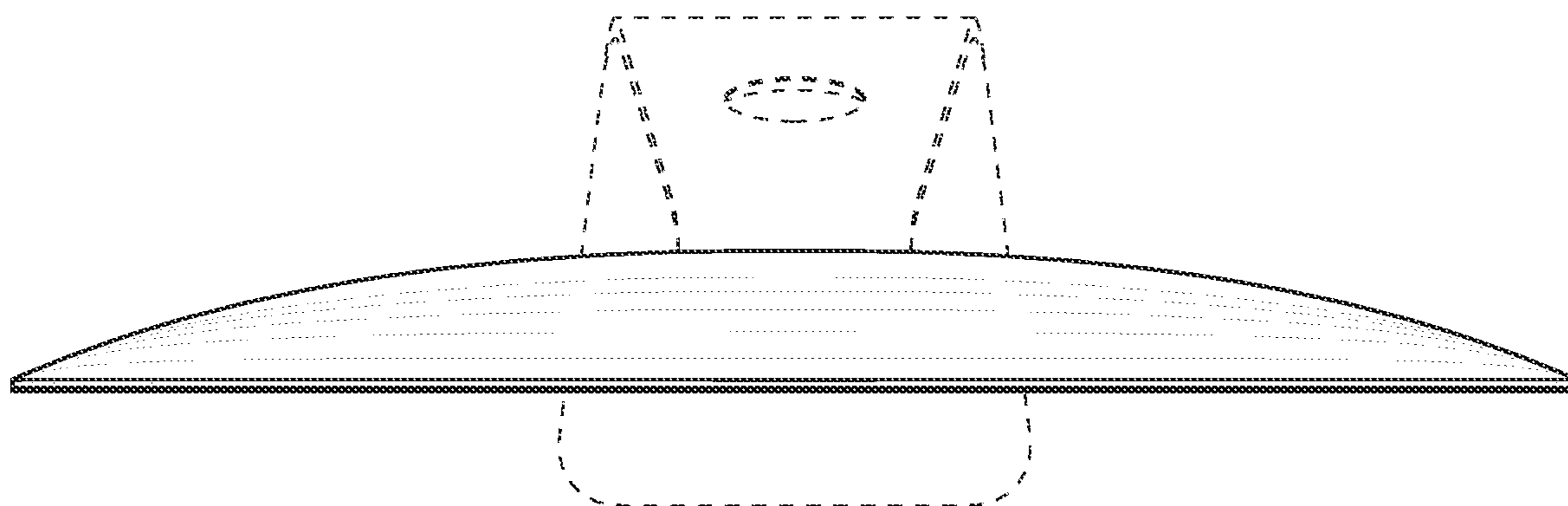
*Fig. 14*



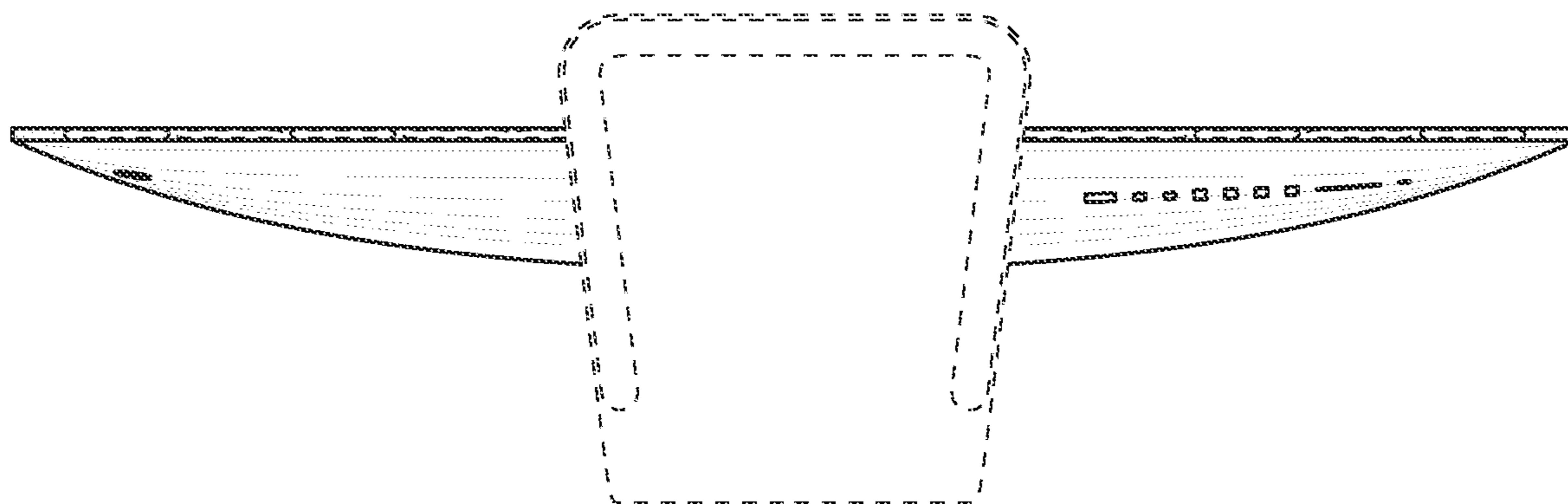
*Fig. 15*



*Fig. 16*



*Fig. 17*



*Fig. 18*