



US00D936646S

(12) **United States Design Patent**  
**Lin**

(10) **Patent No.:** **US D936,646 S**

(45) **Date of Patent:** **\*\* Nov. 23, 2021**

(54) **LAPTOP COMPUTER**

(71) Applicant: **Quanta Computer Inc.**, Taoyuan (TW)

(72) Inventor: **Shih-Cheng Lin**, Taoyuan (TW)

(73) Assignee: **QUANTA COMPUTER INC.**,  
Taoyuan (TW)

(\*\*) Term: **15 Years**

(21) Appl. No.: **29/645,565**

(22) Filed: **Apr. 27, 2018**

(30) **Foreign Application Priority Data**

Mar. 2, 2018 (TW) ..... 107301239

(51) **LOC (13) Cl.** ..... **14-02**

(52) **U.S. Cl.**  
USPC ..... **D14/327**

(58) **Field of Classification Search**  
USPC ..... D14/315–328, 331, 334–335, 339–340;  
D18/1–2, 7, 11, 12.2–12.3  
CPC ..... G06F 1/166; G06F 1/1613; G06F 1/1616;  
G06F 1/1618; G06F 1/162; G06F 1/1622;  
G06F 1/1624; G06F 1/1633; G06F  
1/1615; G06F 1/1643; G06F 1/1654;  
G06F 1/1656; G06F 1/1669; G06F 1/203;  
G06F 1/1688; G06F 1/1601; G06F  
1/1637; G06F 1/181; H05K 5/0047;  
H05K 5/0052

See application file for complete search history.

(56) **References Cited**

**U.S. PATENT DOCUMENTS**

D494,580 S \* 8/2004 Kondo ..... D14/318  
D538,799 S \* 3/2007 Shi ..... D14/315  
D603,396 S \* 11/2009 Latta ..... D14/315  
D611,941 S \* 3/2010 Wang ..... D14/341  
D613,734 S \* 4/2010 Sun ..... D14/315  
D614,616 S \* 4/2010 Denhez ..... D14/315  
D615,539 S \* 5/2010 Jen ..... D14/315  
D631,879 S \* 2/2011 Kawase ..... D14/327

D638,417 S \* 5/2011 Bogner ..... D14/315  
D676,436 S \* 2/2013 Du ..... D14/301  
D698,349 S \* 1/2014 Sun ..... D14/315  
D715,288 S \* 10/2014 Nagao ..... D14/318  
8,891,231 B2 \* 11/2014 Okuley ..... G06F 1/1616  
361/679.26  
D734,320 S \* 7/2015 Wu ..... D14/315  
D734,321 S \* 7/2015 Wang ..... D14/315  
D737,267 S \* 8/2015 Myung ..... D14/315

(Continued)

**OTHER PUBLICATIONS**

Glaser, Felicitas, Asus ROG Chimera G703GI Laptop Review, posted at NotebookCheck, posting date Jun. 10, 2018. Site visited Mar. 23, 2020. URL: <https://www.notebookcheck.net/Asus-ROG-Chimera-G703GI-i9-8950HK-GTX-1080-Full-HD-Laptop-Review.308366.0.html> (Year: 2018).\*

Laptops manufactured by Quanta?, posted at Notebook Review, posting date Jul. 20, 2017. Site visited Mar. 23, 2020. URL: <http://forum.notebookreview.com/threads/laptops-manufactured-by-quanta.807139/> (Year: 2017).\*

(Continued)

*Primary Examiner* — Kathleen L Jones

(74) *Attorney, Agent, or Firm* — McClure, Qualey & Rodack, LLP

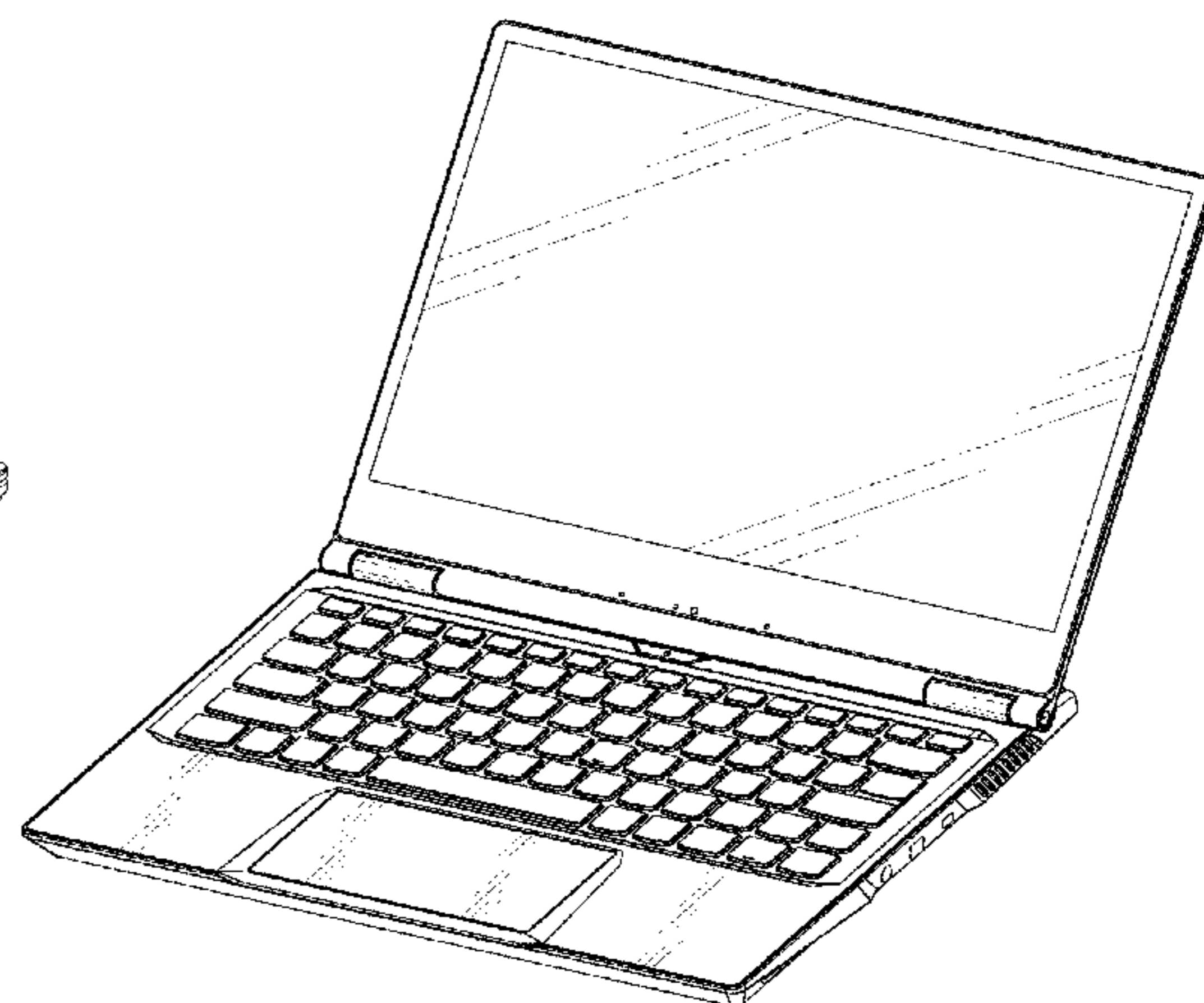
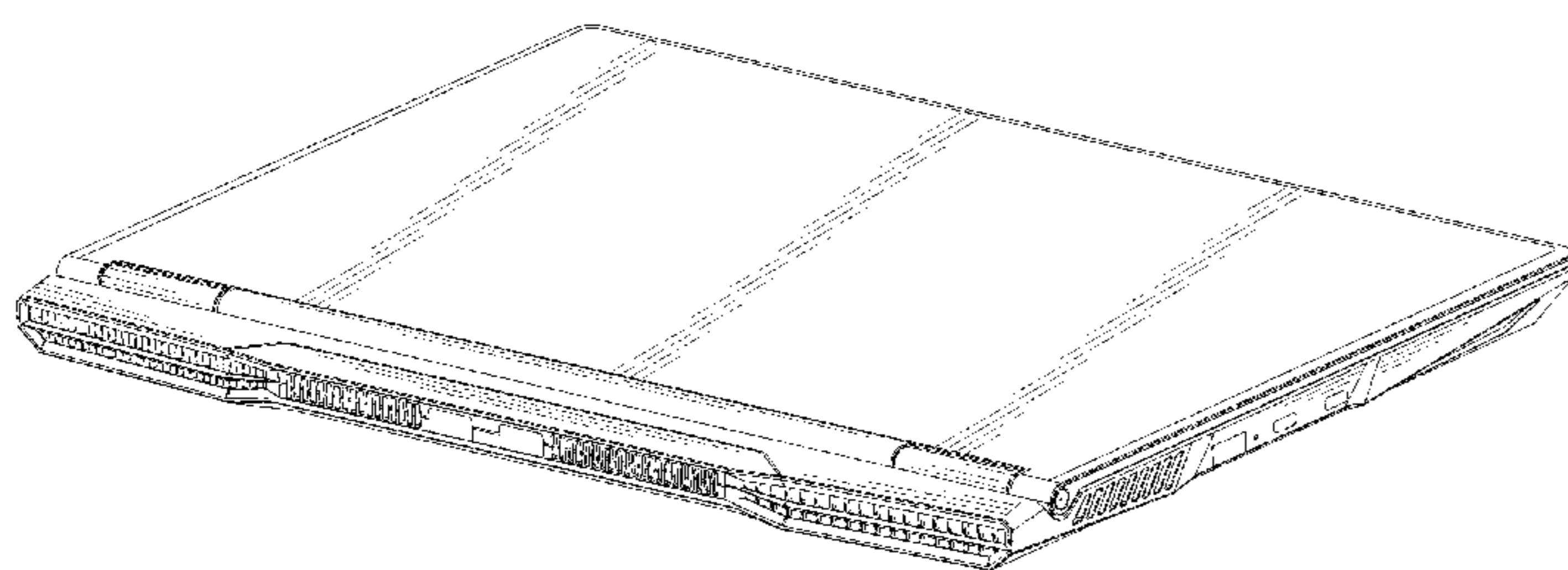
(57) **CLAIM**

The ornamental design for a laptop computer, as shown and described.

**DESCRIPTION**

FIG. 1 is a perspective view of a laptop computer, in accordance with our new and ornamental design;  
FIG. 2 is a front view thereof;  
FIG. 3 is a rear view thereof;  
FIG. 4 is a left side view thereof;  
FIG. 5 is a right side view thereof;  
FIG. 6 is a top plan view thereof;  
FIG. 7 is a bottom plan view thereof; and,  
FIG. 8 is a perspective view thereof showing the laptop computer in an open state.

**1 Claim, 8 Drawing Sheets**



(56)

References Cited

U.S. PATENT DOCUMENTS

D751,543	S *	3/2016	Chon .....	D14/315
D770,442	S *	11/2016	Tu .....	D14/315
D794,010	S *	8/2017	Smith .....	D14/315
D804,467	S *	12/2017	Probst .....	D14/315
D864,948	S *	10/2019	Yoshida .....	D14/327
D877,734	S *	3/2020	Cha .....	D14/327
D890,166	S *	7/2020	Jung .....	D14/315
D894,178	S *	8/2020	Dieterle .....	D14/315
D898,733	S *	10/2020	Zhang .....	D14/315
D914,011	S *	3/2021	Liu .....	D14/324
D917,459	S *	4/2021	Chung .....	D14/315
2006/0120037	A1 *	6/2006	DeLuga .....	G06F 1/1632 361/690
2021/0089082	A1 *	3/2021	Lee .....	G06F 1/203

OTHER PUBLICATIONS

MSI Unveils Latest GE63 Raider RGB and GT75VR Titan Pro Gaming Notebooks, posted at HardwareHeaven, posting date Jan. 16, 2018. Site visited Mar. 23, 2020. URL: <<https://www.hardwareheaven.com/msi-unveils-latest-ge63-raider-rgb-gt75vr-titan-pro-gaming-notebooks/>> (Year: 2018).\*

Ward, Craig, The 10 Best Gaming Laptops for Late 2017, posted at NotebookCheck, posting date Nov. 24, 2017, Site visited Mar. 23, 2020. URL: <<https://www.notebookcheck.net/The-10-Best-Gaming-Laptops-for-Late-2017.264056.0.html>> (Year: 2017).\*

Acer Nitro 5 AN515-51, posted at TechSpot, review posting date Sep. 11, 2017. Site visited Mar. 23, 2020. URL: <<https://www.techspot.com/products/laptops/acer-nitro-5-an515-51.171157/>> (Year: 2017).\*

\* cited by examiner

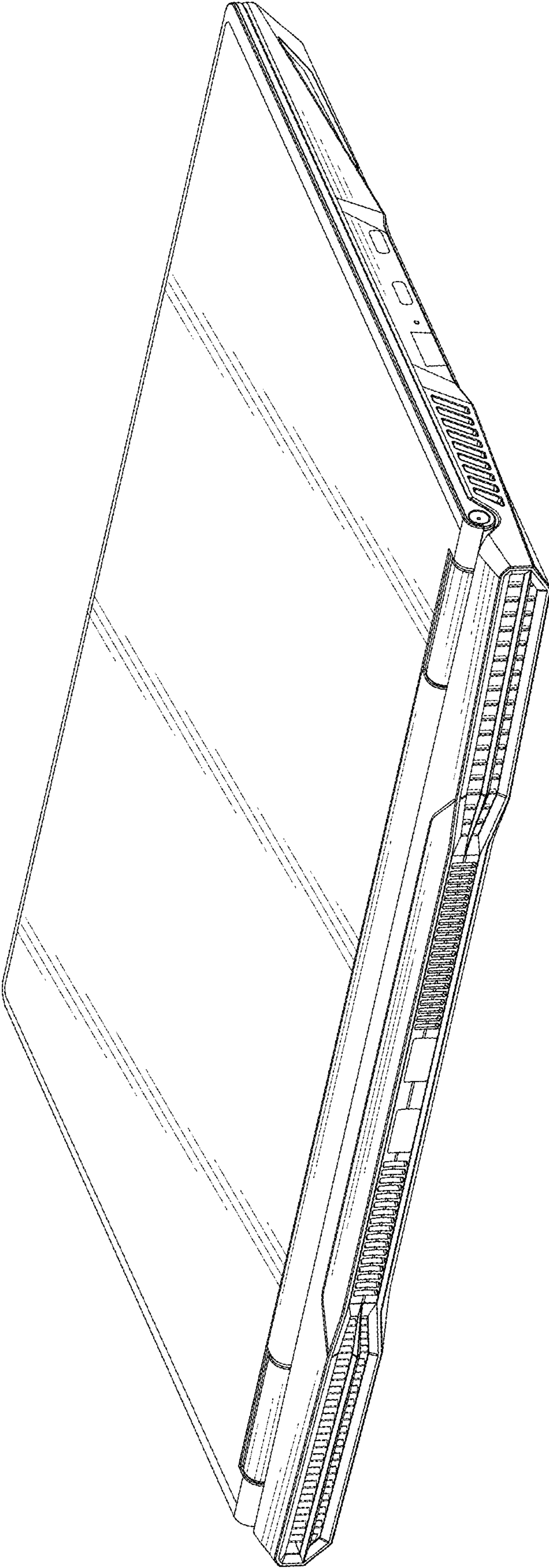


FIG. 1

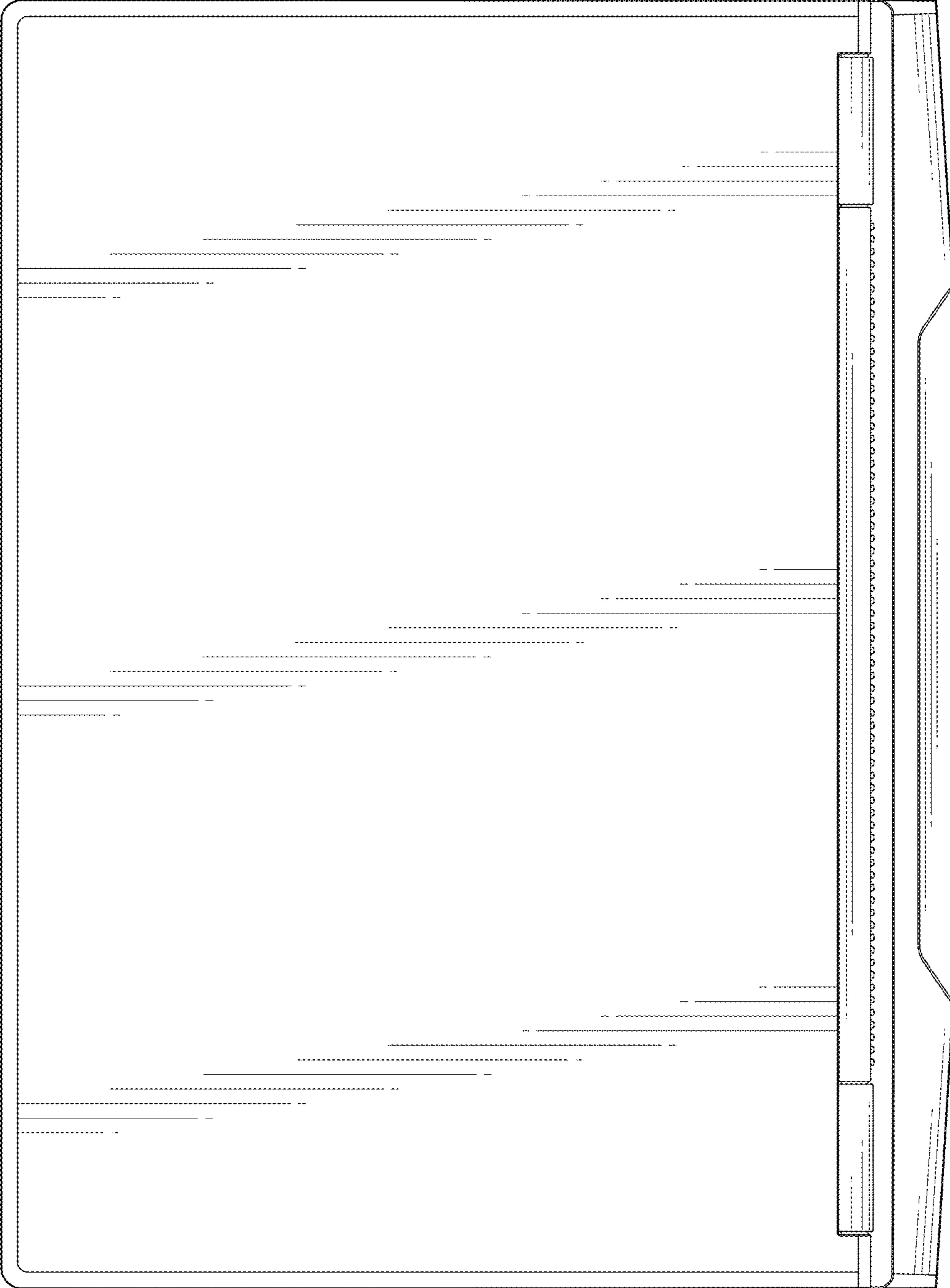


FIG. 2

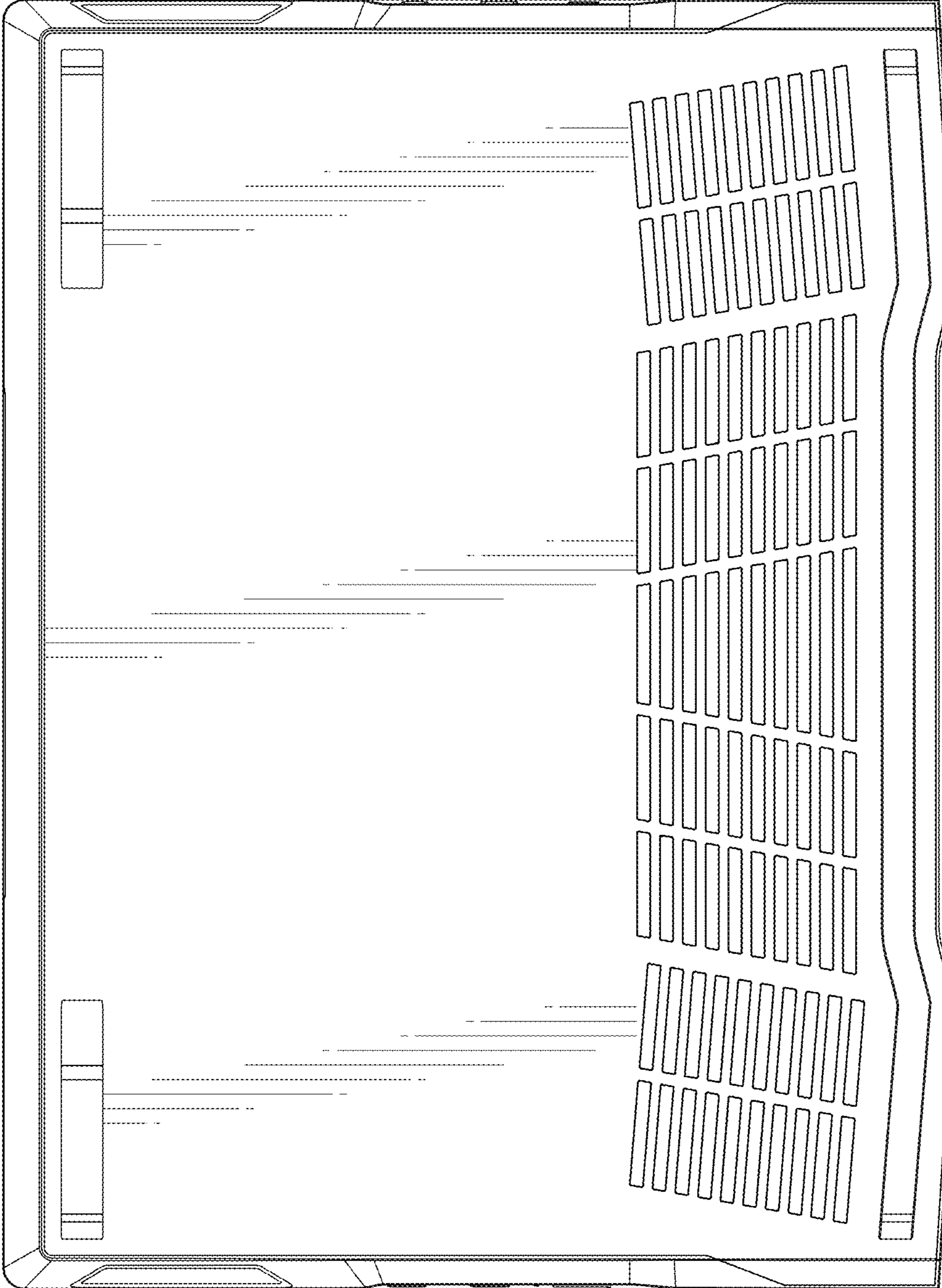


FIG. 3

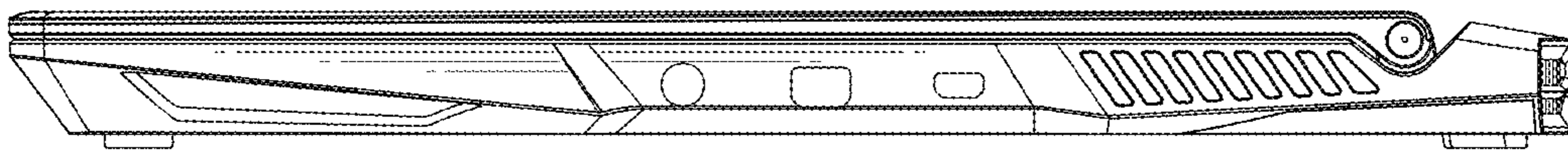


FIG. 4

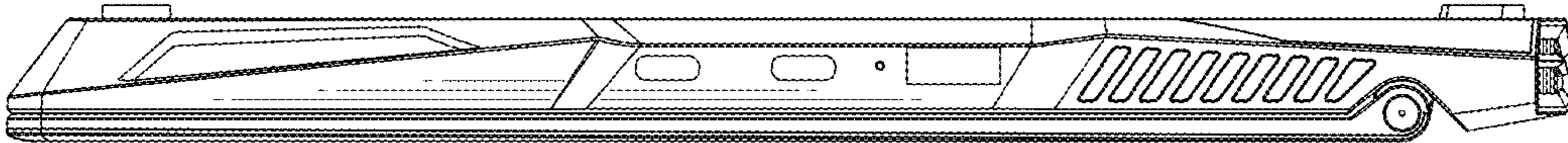


FIG. 5

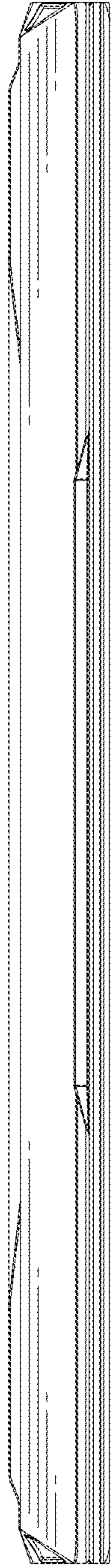


FIG. 6



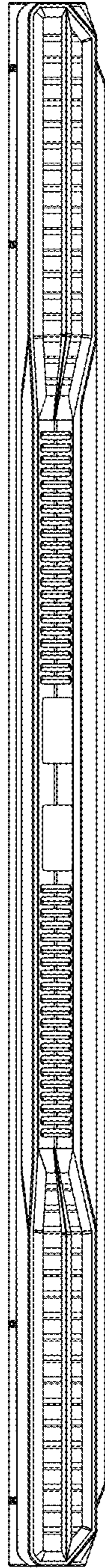


FIG. 7

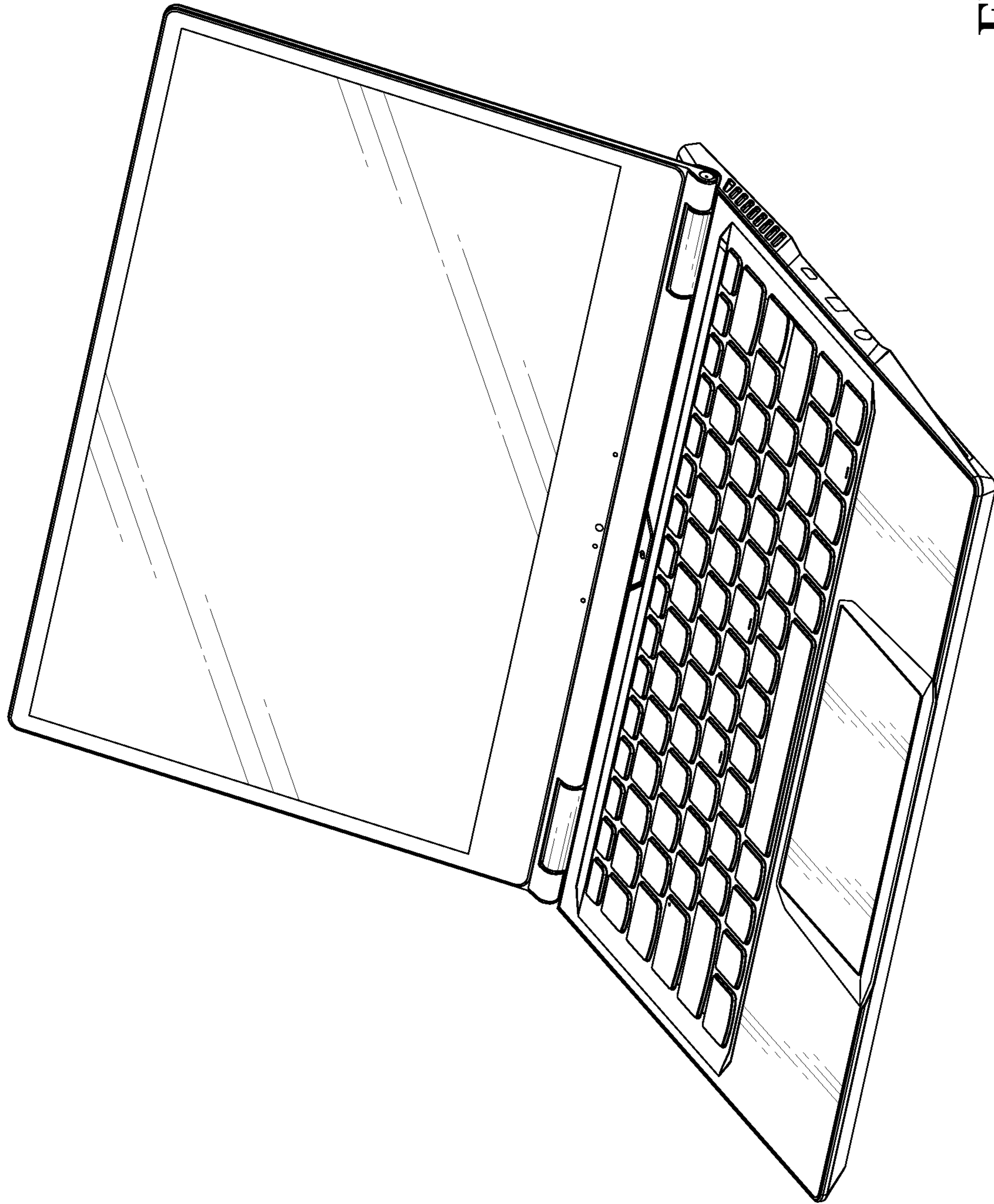


FIG. 8