



US00D936645S

(12) **United States Design Patent**  
**Deng**

(10) **Patent No.:** **US D936,645 S**

(45) **Date of Patent:** **\*\* Nov. 23, 2021**

(54) **MOBILE PHONE STAND**

(71) Applicant: **Xiaoming Deng**, Shenzhen (CN)

(72) Inventor: **Xiaoming Deng**, Shenzhen (CN)

(\*\*) Term: **15 Years**

(21) Appl. No.: **29/737,391**

(22) Filed: **Jun. 9, 2020**

(51) **LOC (13) Cl.** ..... **14-99**

(52) **U.S. Cl.**

USPC ..... **D14/253**; D12/114

(58) **Field of Classification Search**

USPC .... D14/251-253, 224, 224.1, 432-434, 447,  
D14/451, 452; D12/415, 426.1, 114, 223;  
D16/242, 244, 245; D10/74; D3/218;  
D13/108

CPC ..... B60R 11/00; B60R 11/02; B60R 11/0241;  
B60R 11/0252; B60R 2011/0003; B60R  
2011/0005; B60R 2011/0008; H04M  
1/04; H04B 1/3877; A45F 2200/0516;  
A45F 2200/0525; H05K 5/02; H05K  
5/0204; H05K 7/00; F16M 13/02; F16M  
13/022; F16M 11/00; F16M 11/04; F16M  
11/041; F16M 11/06

See application file for complete search history.

(56) **References Cited**

**U.S. PATENT DOCUMENTS**

D652,779 S *	1/2012	Richter	.....	D12/223
D653,190 S *	1/2012	Richter	.....	D12/223
D676,371 S *	2/2013	Son	.....	D12/415
D719,951 S *	12/2014	Fenton	.....	D14/253
D770,171 S *	11/2016	Lai	.....	D3/218
D772,219 S *	11/2016	Daniels	.....	D14/253
D772,220 S *	11/2016	Daniels	.....	D14/253
D863,290 S *	10/2019	Ormsbee	.....	D14/253
D894,168 S *	8/2020	Lou	.....	D14/253

D903,652 S *	12/2020	Qiu	.....	D14/253
D910,612 S *	2/2021	Xiao	.....	D14/253
D916,694 S *	4/2021	Xiao	.....	D14/253
2013/0244735 A1 *	9/2013	Bury	.....	H02J 50/90 455/573

**FOREIGN PATENT DOCUMENTS**

EM	007984588-0001	*	7/2020
EM	008406045-0001	*	1/2021

**OTHER PUBLICATIONS**

Amazon hot selling black flexible smartphone stand . . . [online].  
Original publication date unknown. [Retrieved from the Internet  
May 17, 2021.] <URL: <https://www.globalsources.com/Motorcycle-mount/Bike-phone-mount-1178287411p.htm#1178287411> >.\*

\* cited by examiner

*Primary Examiner* — Rebekah A Caruso

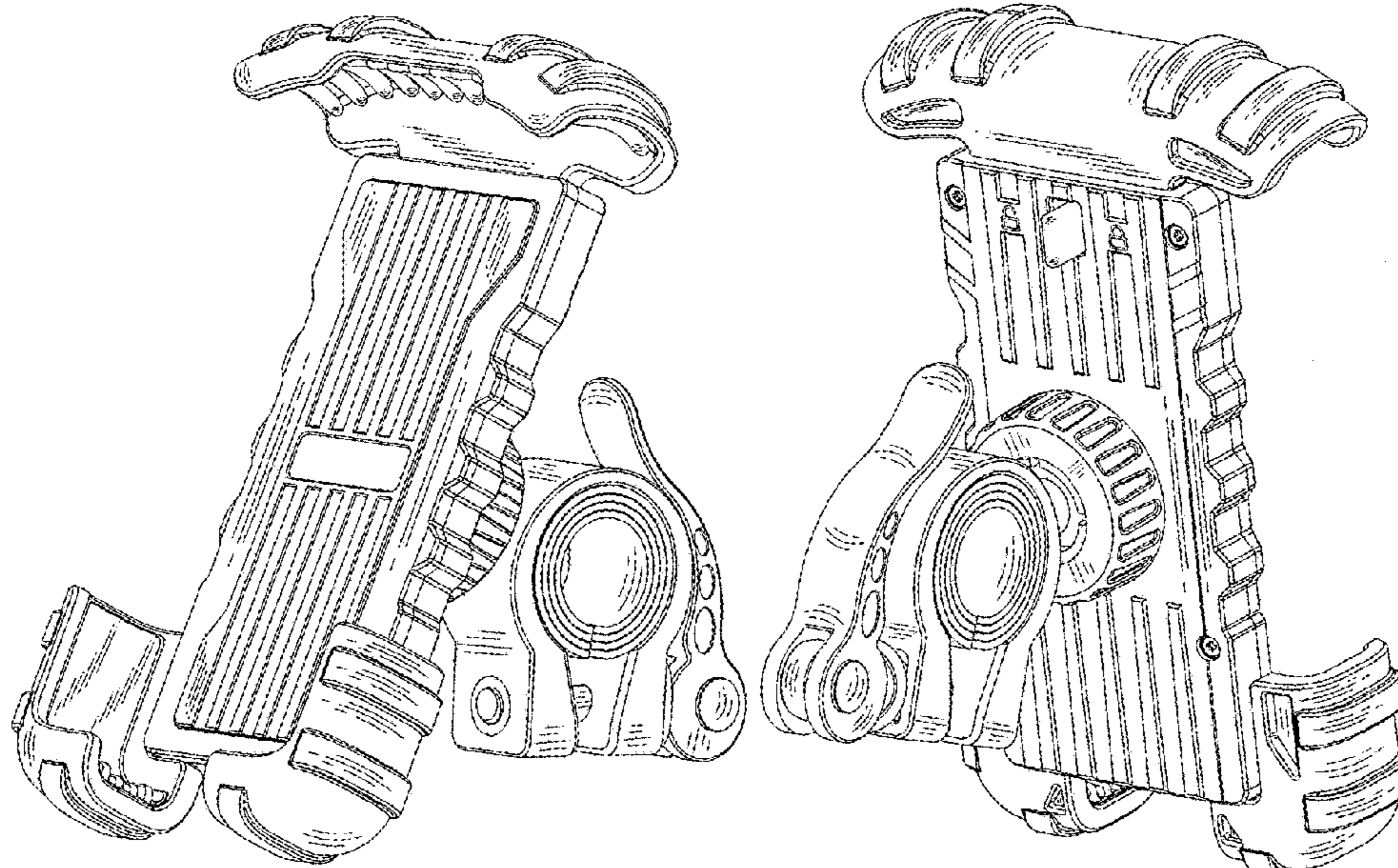
(57) **CLAIM**

The ornamental design for a mobile phone stand, as shown and described.

**DESCRIPTION**

FIG. 1 is a front perspective view of a mobile phone stand showing my new design;  
FIG. 2 is a rear perspective view thereof;  
FIG. 3 is a front elevation view thereof;  
FIG. 4 is a rear elevation view thereof;  
FIG. 5 is a left side elevation view thereof;  
FIG. 6 is a right side elevation view thereof;  
FIG. 7 is a top plan view thereof; and,  
FIG. 8 is a bottom plan view thereof.

**1 Claim, 8 Drawing Sheets**



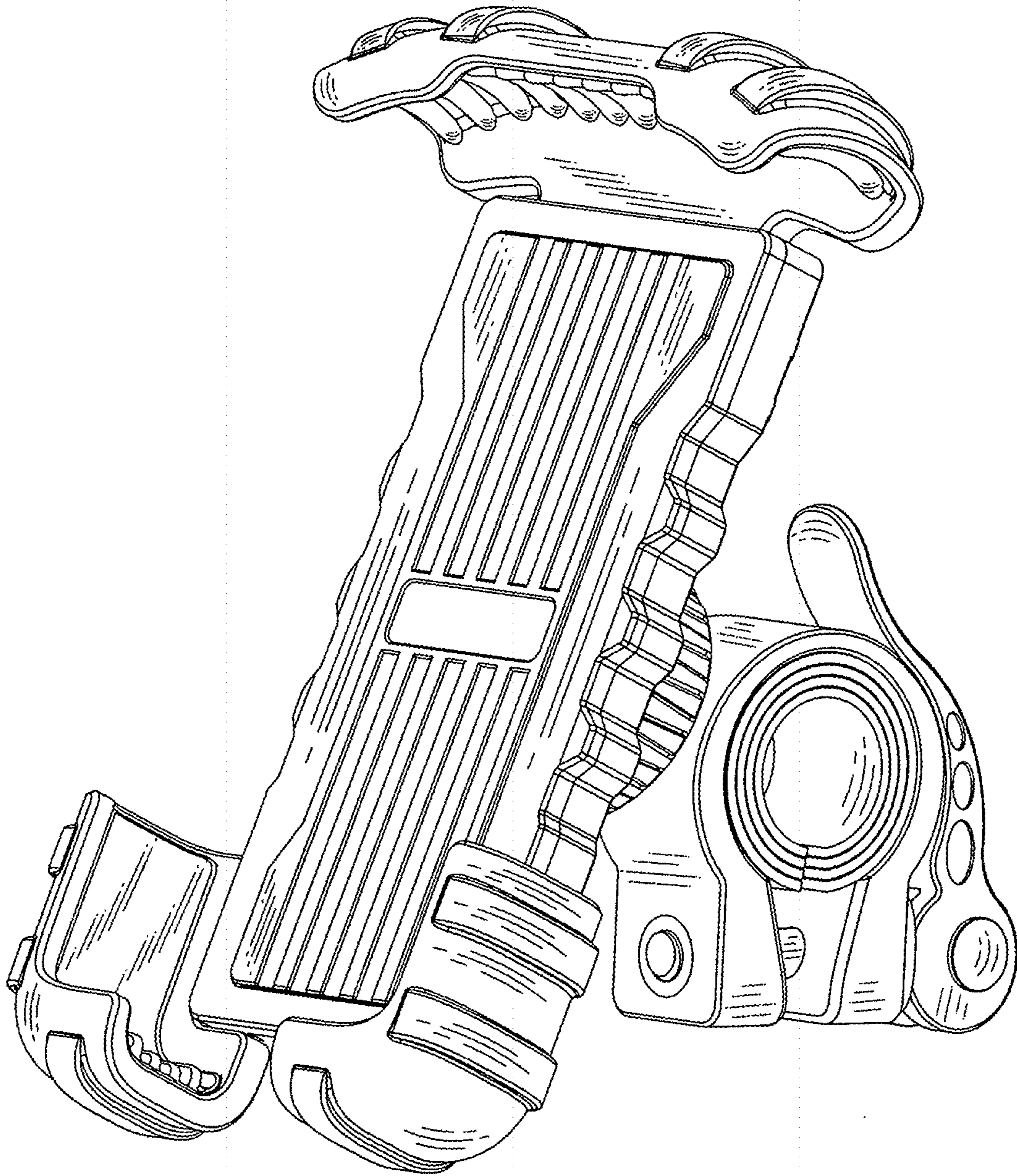


FIG. 1

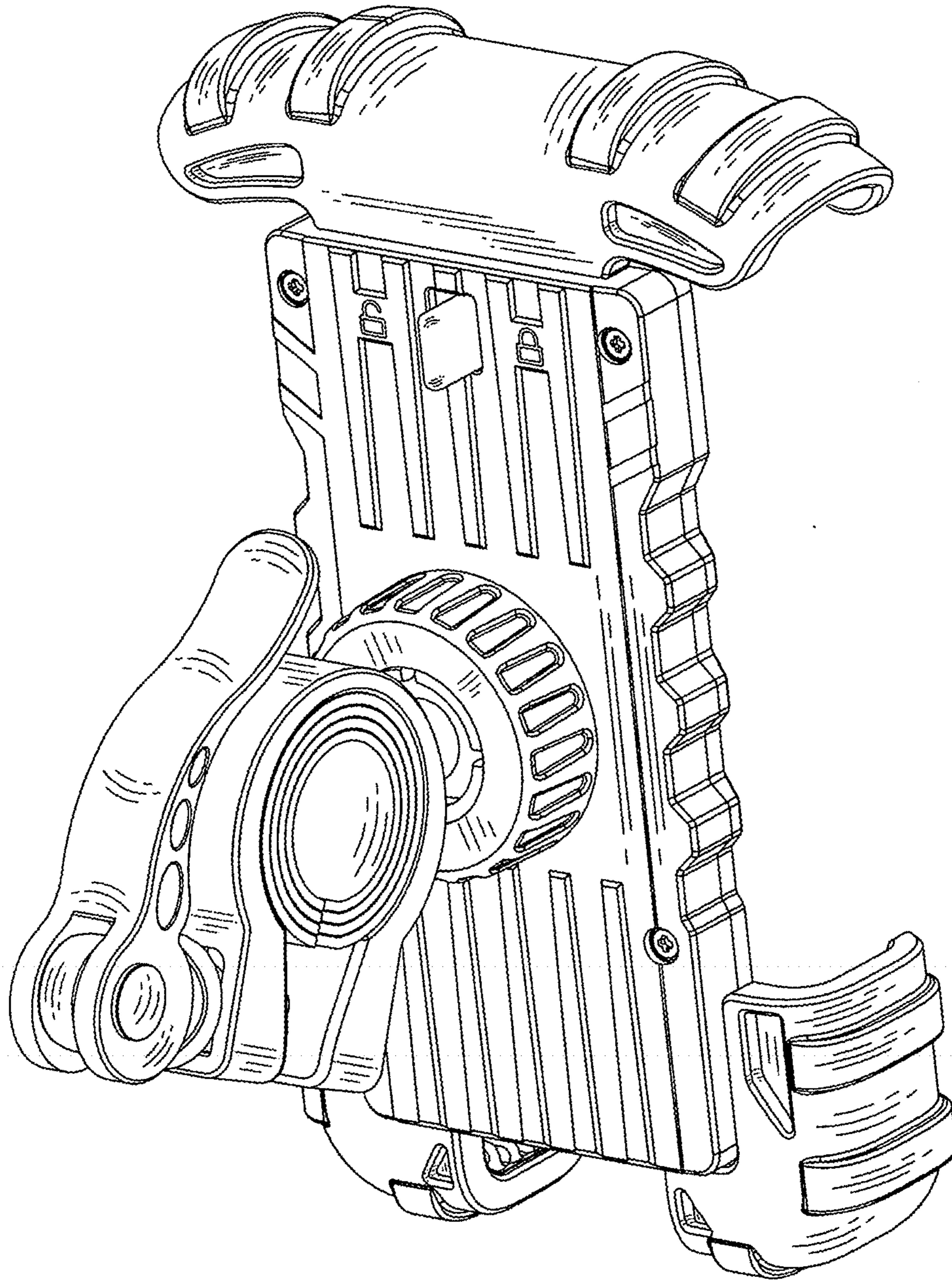


FIG. 2

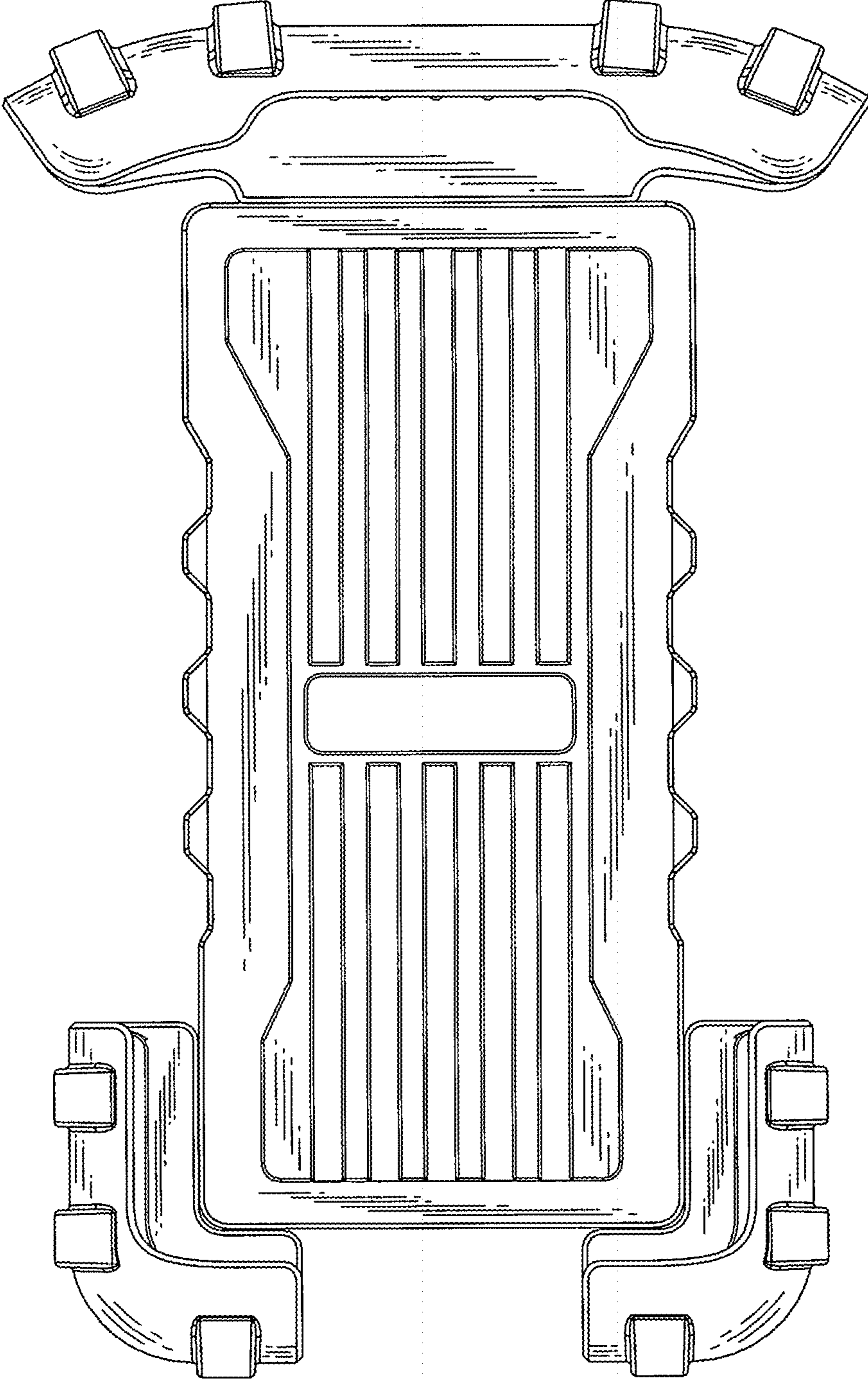


FIG. 3

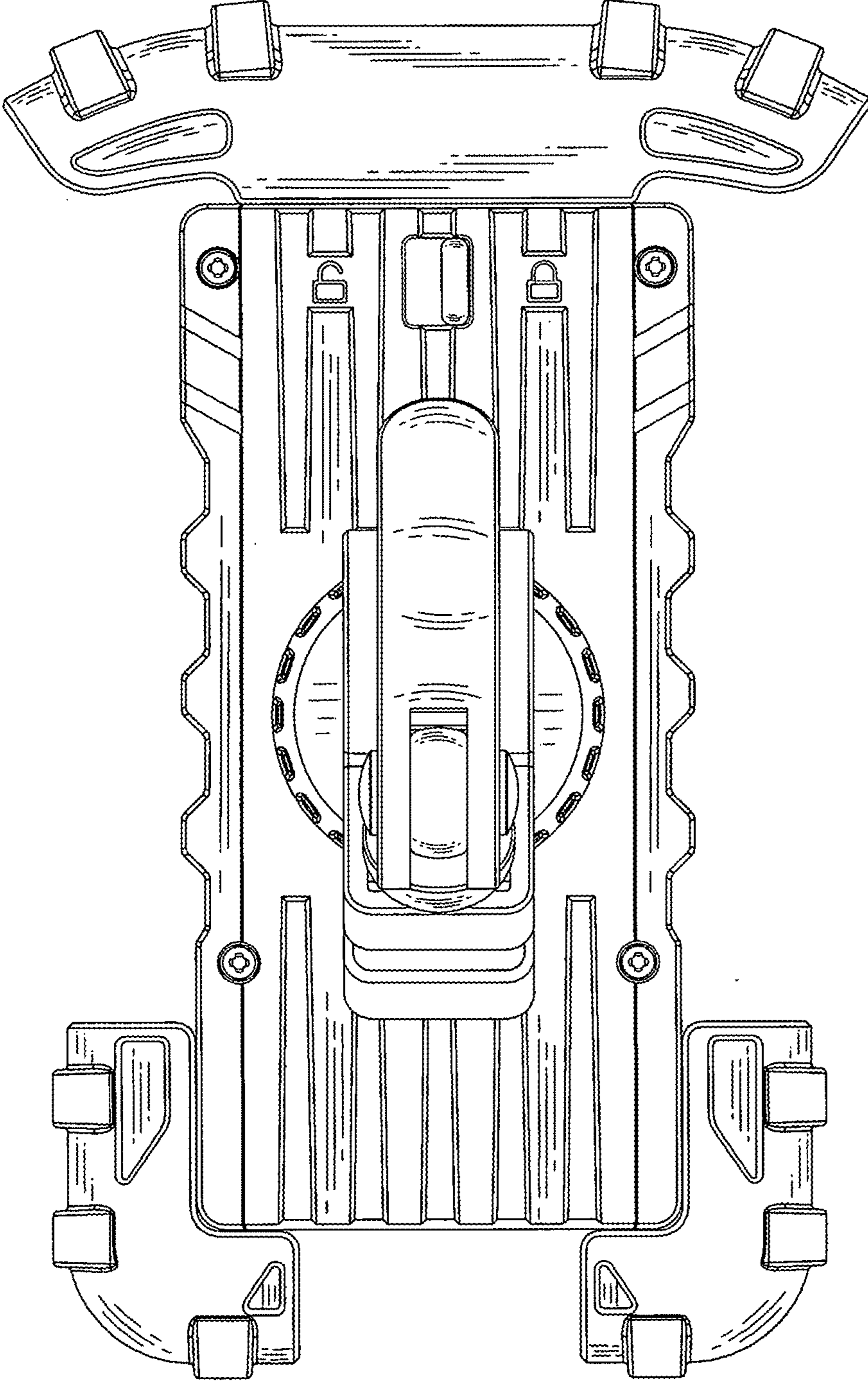


FIG. 4

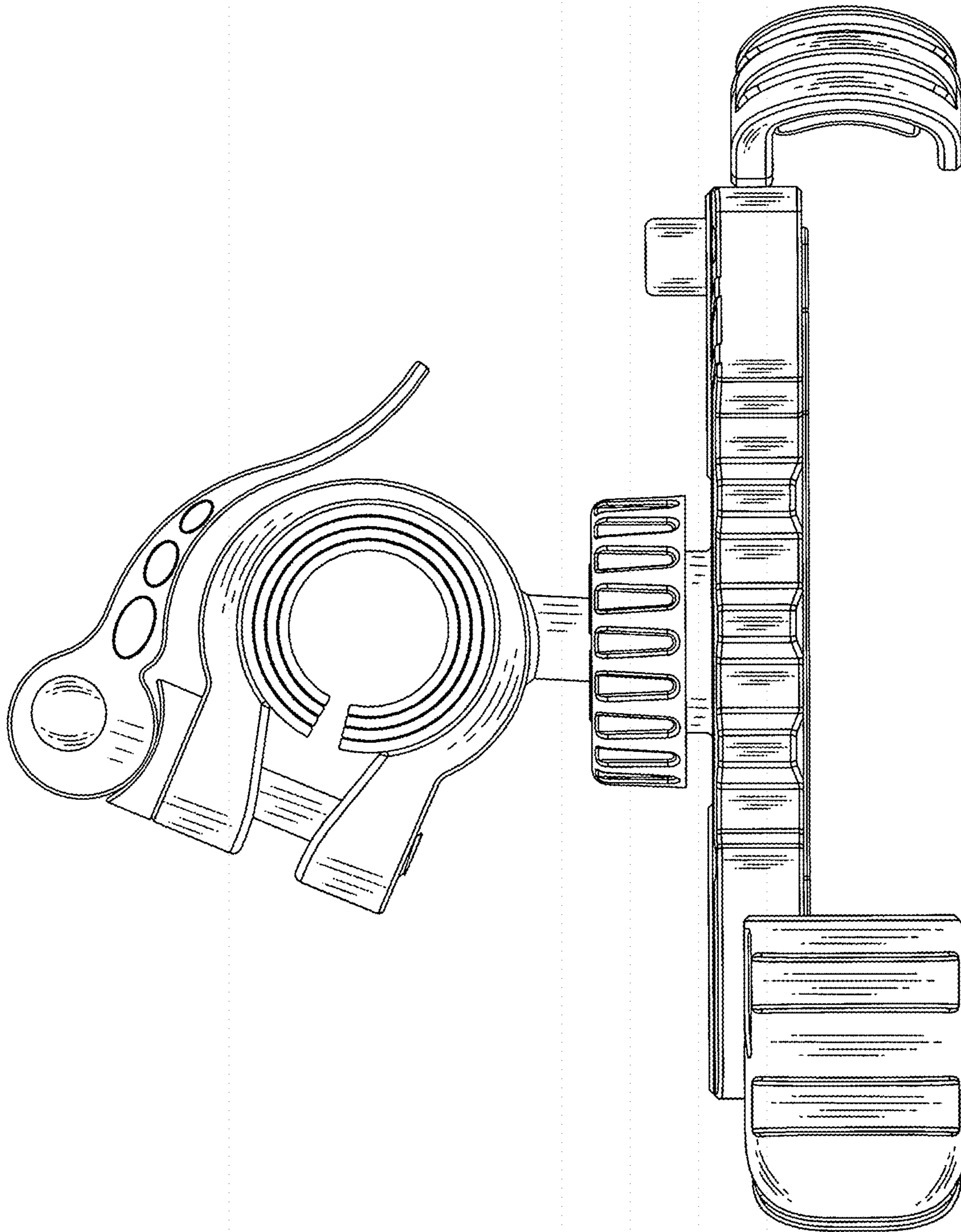


FIG. 5

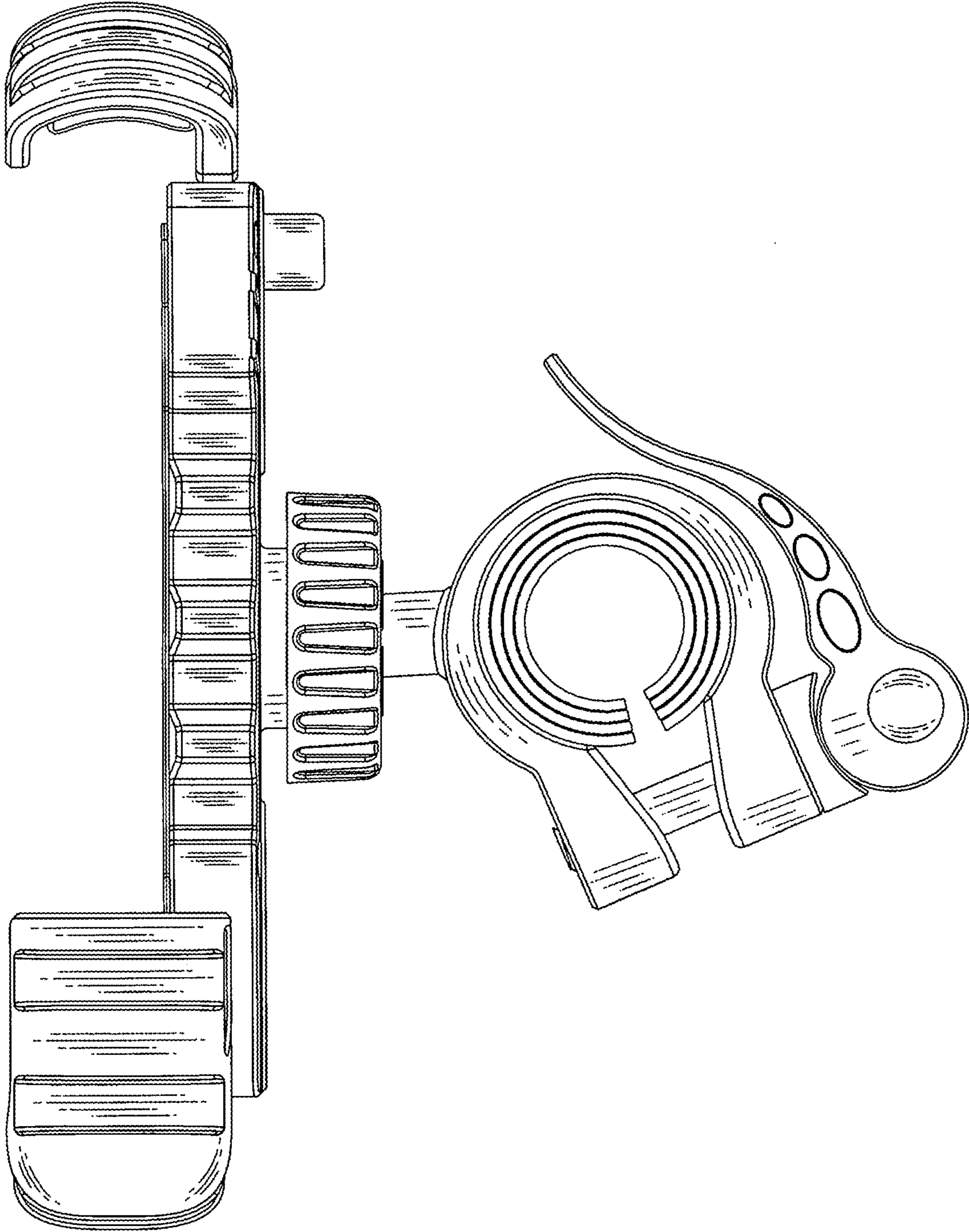


FIG. 6

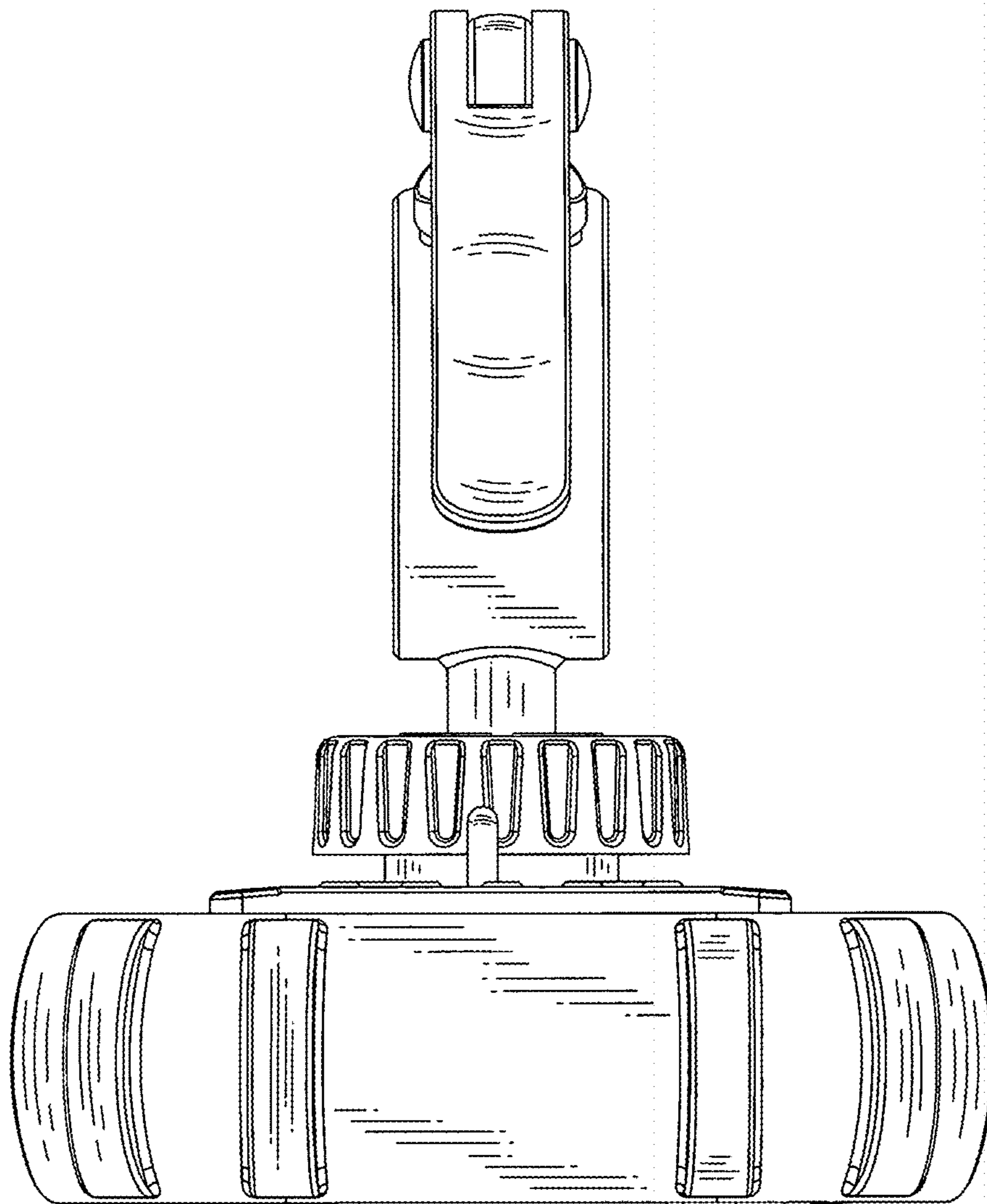


FIG. 7



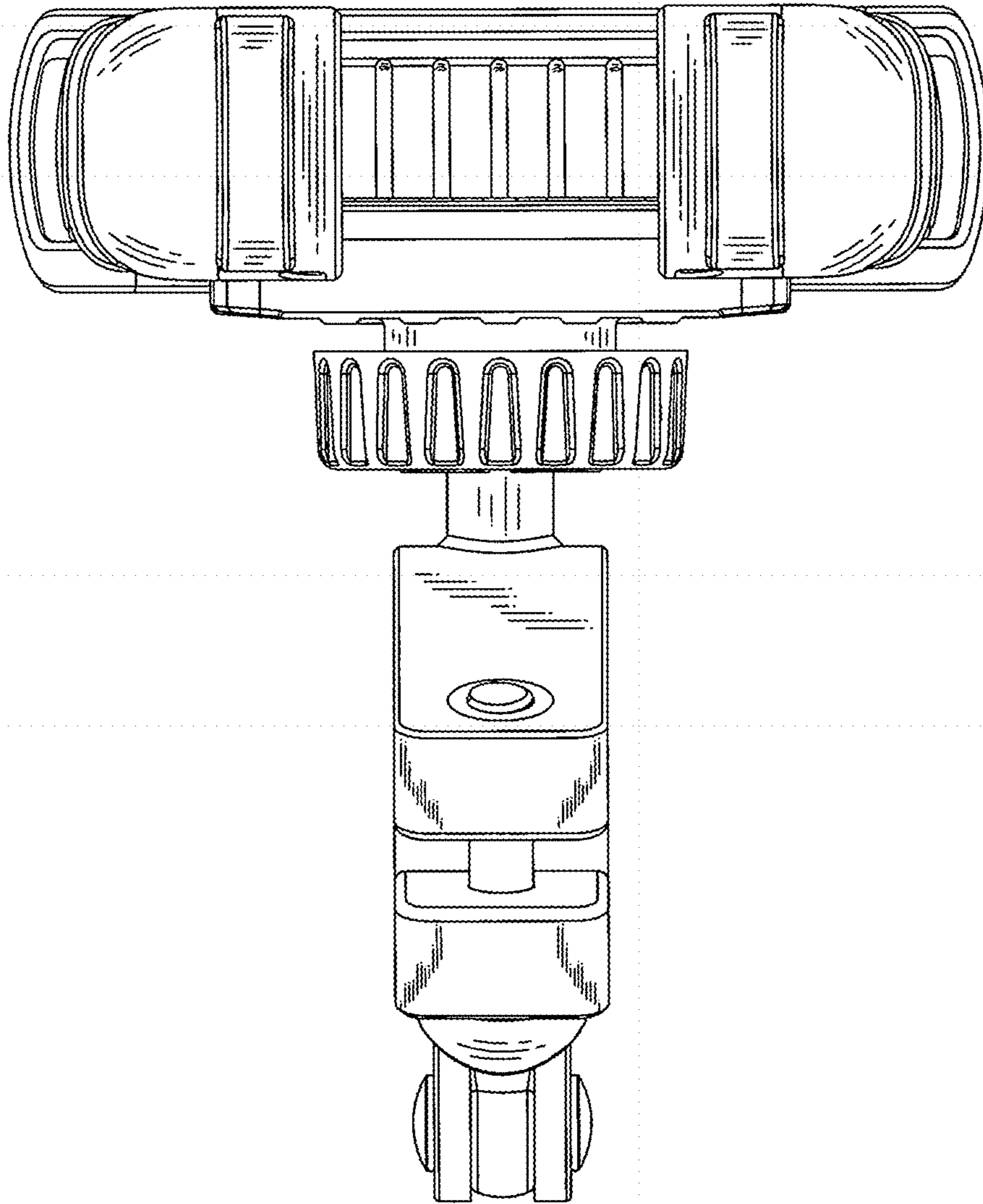


FIG. 8