



US00D936644S

(12) **United States Design Patent**
Zhang

(10) **Patent No.:** **US D936,644 S**

(45) **Date of Patent:** **** Nov. 23, 2021**

(54) **STAND FOR MOBILE PHONE**

(71) Applicant: **Rongqing Zhang**, Fujian Province
(CN)

(72) Inventor: **Rongqing Zhang**, Fujian Province
(CN)

(**) Term: **15 Years**

(21) Appl. No.: **29/704,107**

(22) Filed: **Sep. 1, 2019**

(30) **Foreign Application Priority Data**

May 20, 2019 (CN) 201930247586.5

(51) **LOC (13) Cl.** **14-03**

(52) **U.S. Cl.**
USPC **D14/253**

(58) **Field of Classification Search**
USPC D14/251–253, 250, 447, 217; D3/218;
D16/204, 242–244; D12/415; D8/354,
D8/363, 373, 380

CPC A47B 21/04; A47B 2097/006; A47B
2097/005; A47B 2023/49; A45C
2011/002; A45C 2011/003; F16M
2200/00; F16M 13/00; F16M 11/18;
F16M 11/04; B60R 11/02

See application file for complete search history.

(56) **References Cited**

U.S. PATENT DOCUMENTS

D529,905 S * 10/2006 Richter D14/253
D705,211 S * 5/2014 Huang D14/253

D752,571 S * 3/2016 Richter D14/253
D858,509 S * 9/2019 Yao D14/253
D859,393 S * 9/2019 Dang D14/253
D861,670 S * 10/2019 Li D14/253
D872,014 S * 1/2020 Zhang D13/108
D877,688 S * 3/2020 Liu D12/415
D881,200 S * 4/2020 Leeds-Frank D14/447
D892,787 S * 8/2020 Chen D14/253
D894,829 S * 9/2020 Zhang D13/108
D895,601 S * 9/2020 Liao D14/253
D900,087 S * 10/2020 Leeds-Frank D14/253
D907,029 S * 1/2021 Khubani D14/253
D908,689 S * 1/2021 Chen D14/253

* cited by examiner

Primary Examiner — Janice Hallmark

(74) *Attorney, Agent, or Firm* — W&KIP

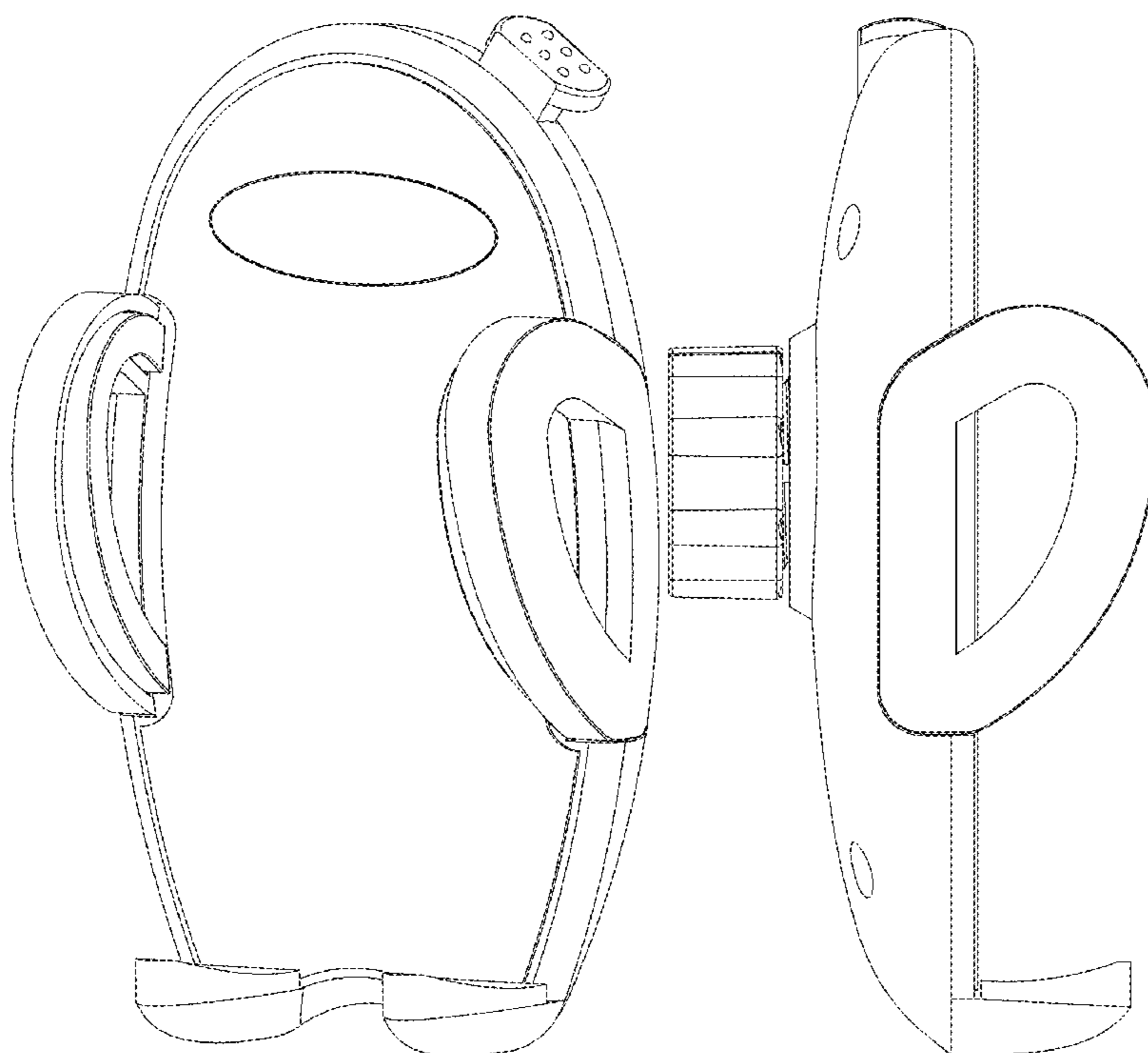
(57) **CLAIM**

The ornamental design for a stand for mobile phone, as shown and described.

DESCRIPTION

FIG. 1 is a perspective view of a stand for mobile phone, showing my new design;
FIG. 2 is a front elevational view thereof;
FIG. 3 is a rear elevational view thereof;
FIG. 4 is a left side elevational view thereof;
FIG. 5 is a right side elevational view thereof;
FIG. 6 is a top plan view thereof; and,
FIG. 7 is a bottom plan view thereof.
The broken lines in the drawings illustrate portions of the stand for mobile phone that form no part of the claimed design.

1 Claim, 7 Drawing Sheets



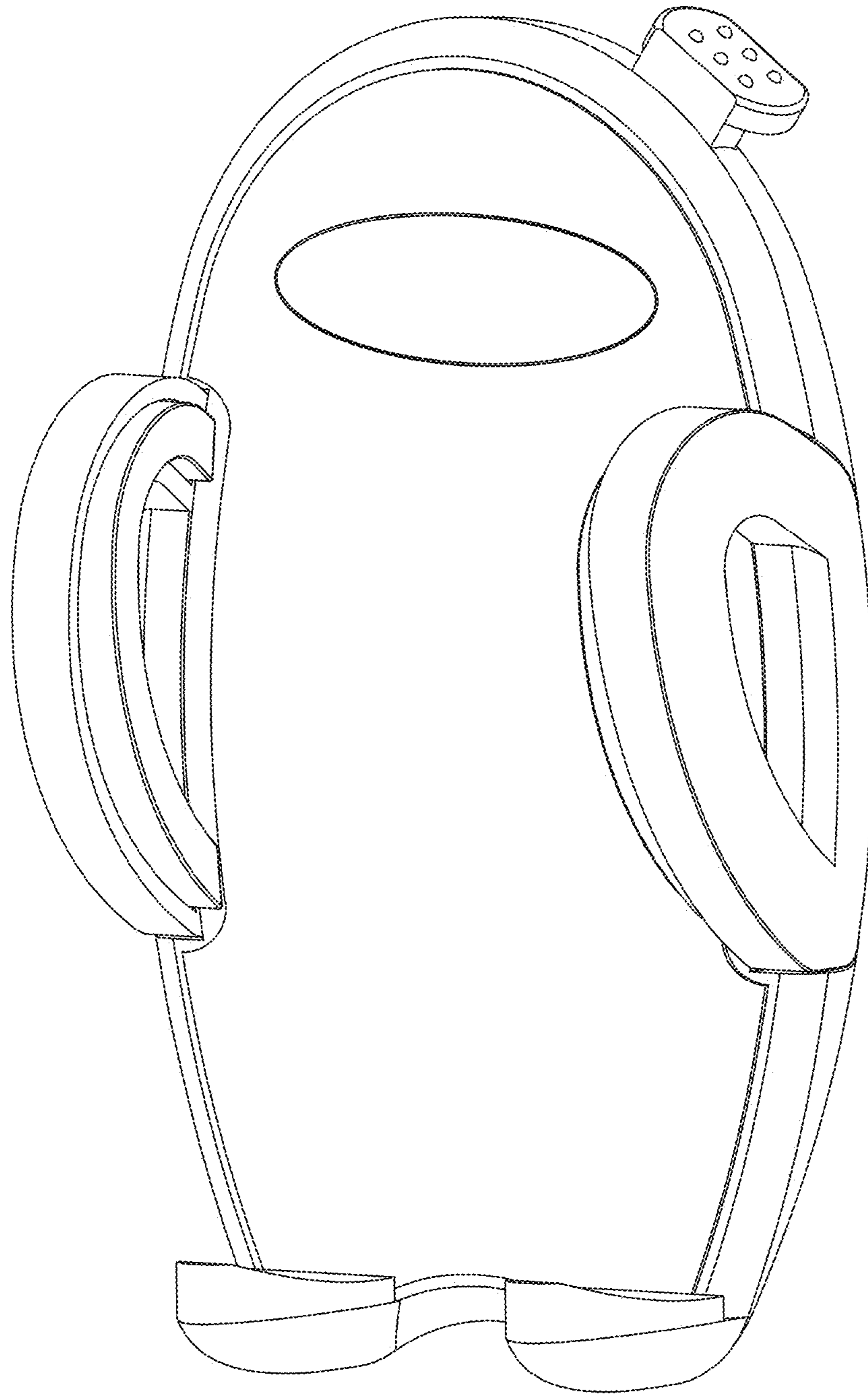


FIG.1

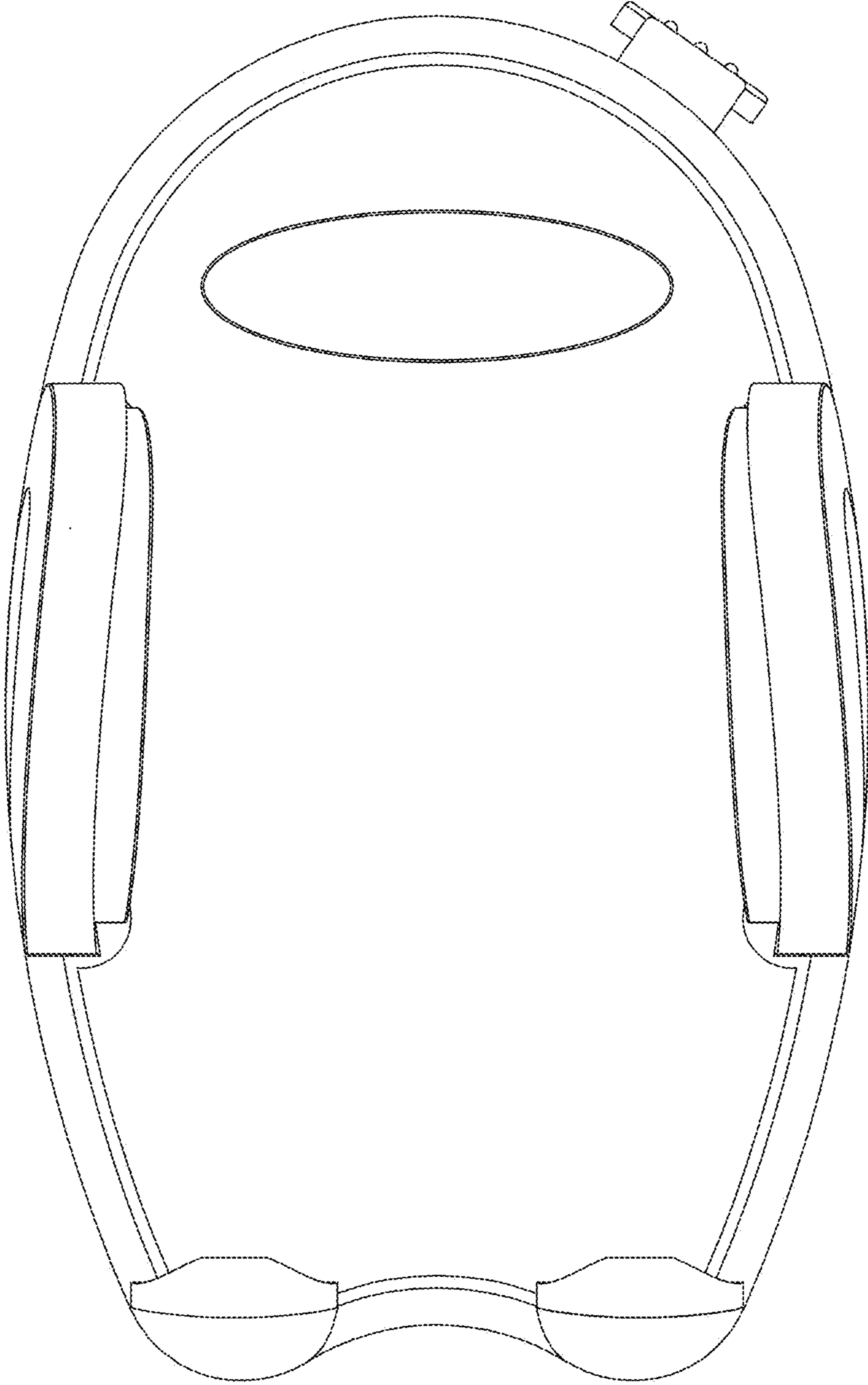


FIG.2

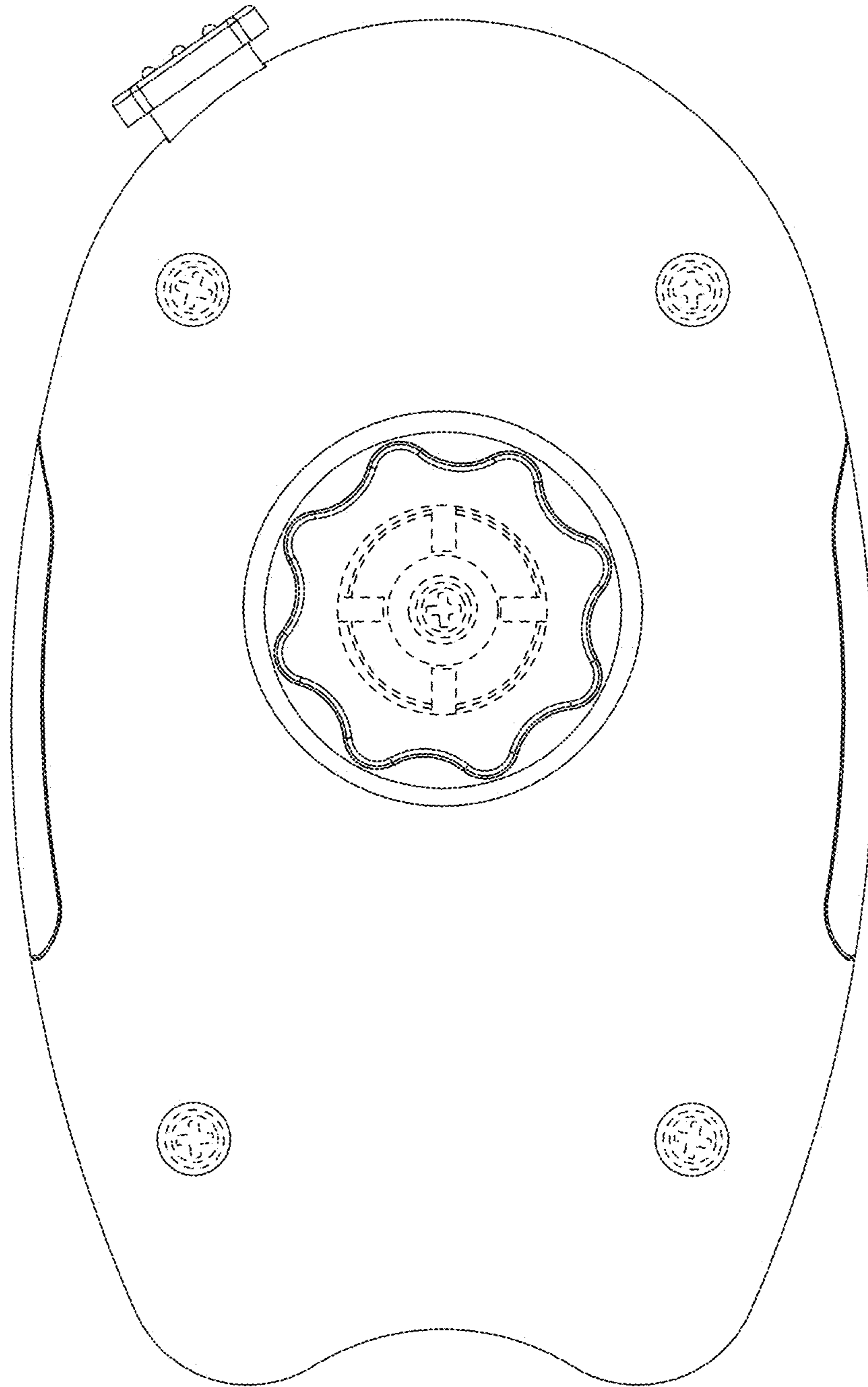


FIG.3

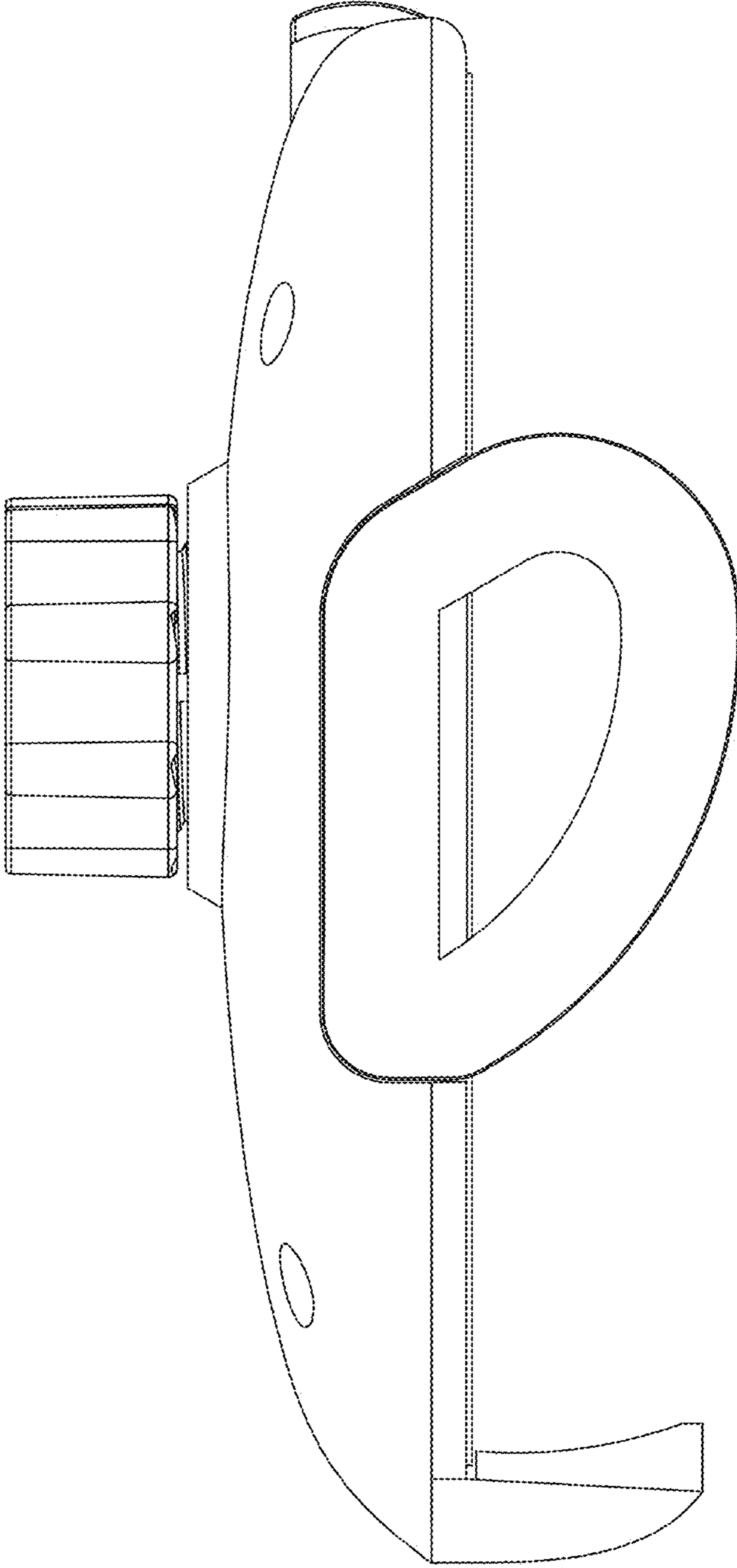


FIG.4

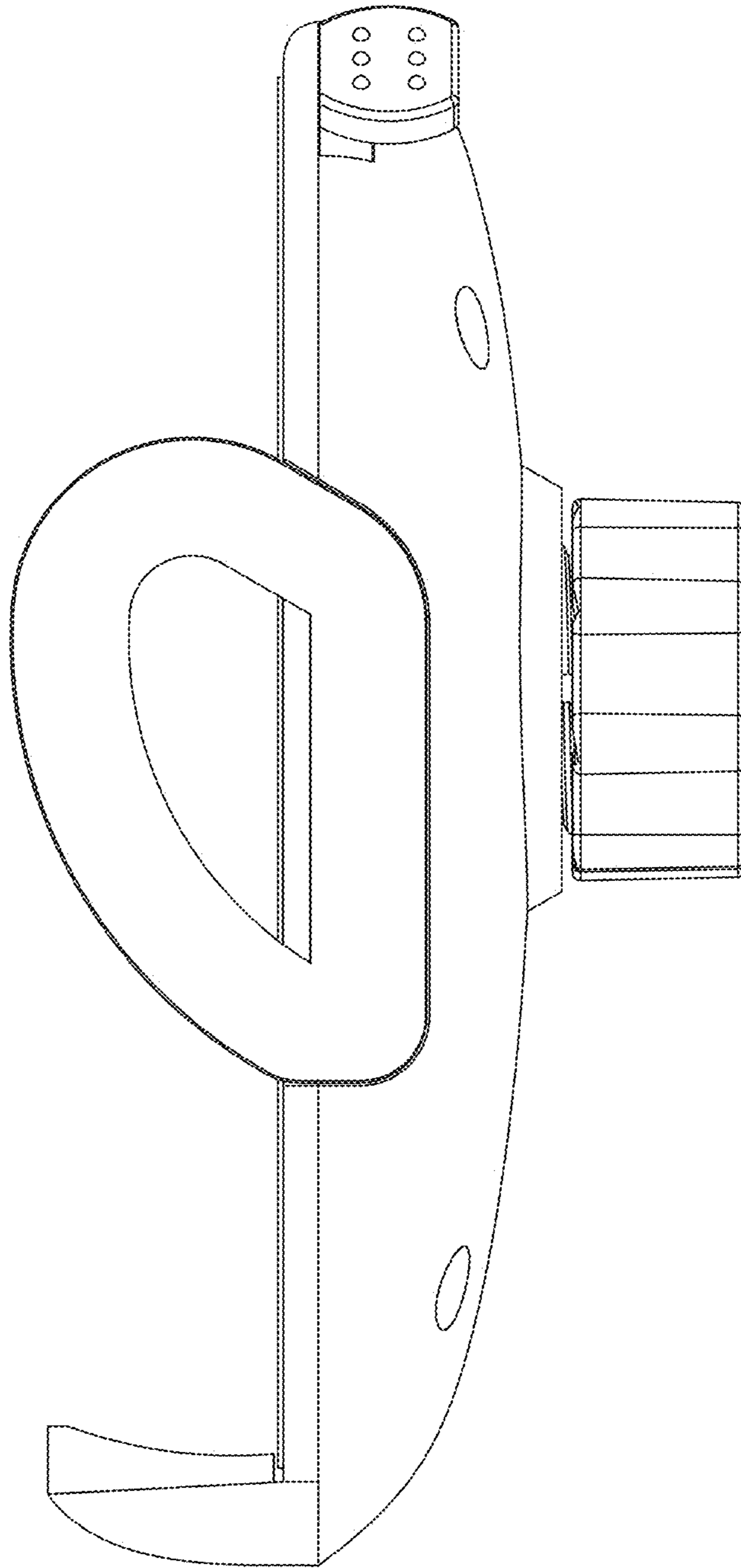


FIG.5

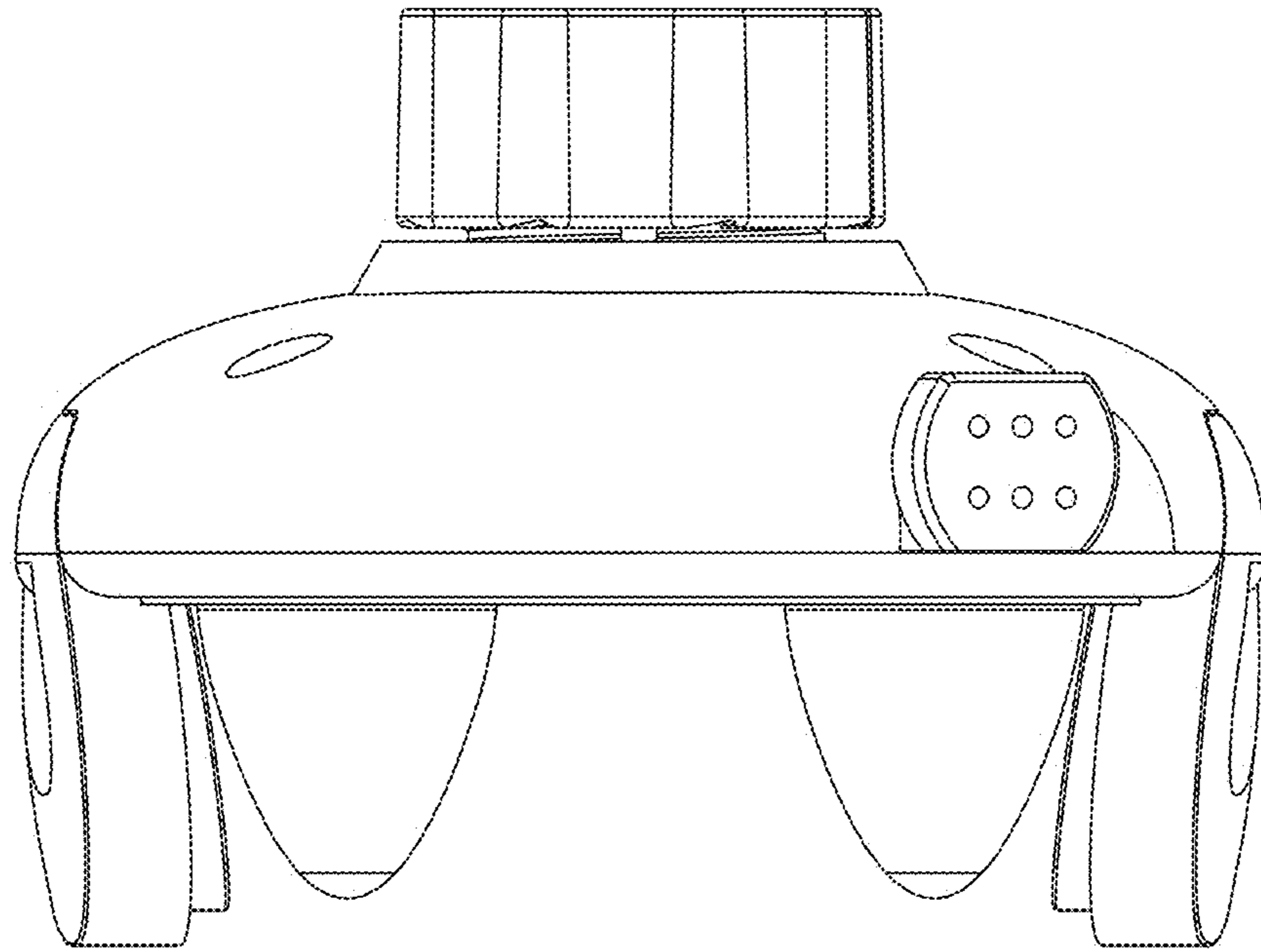


FIG.6

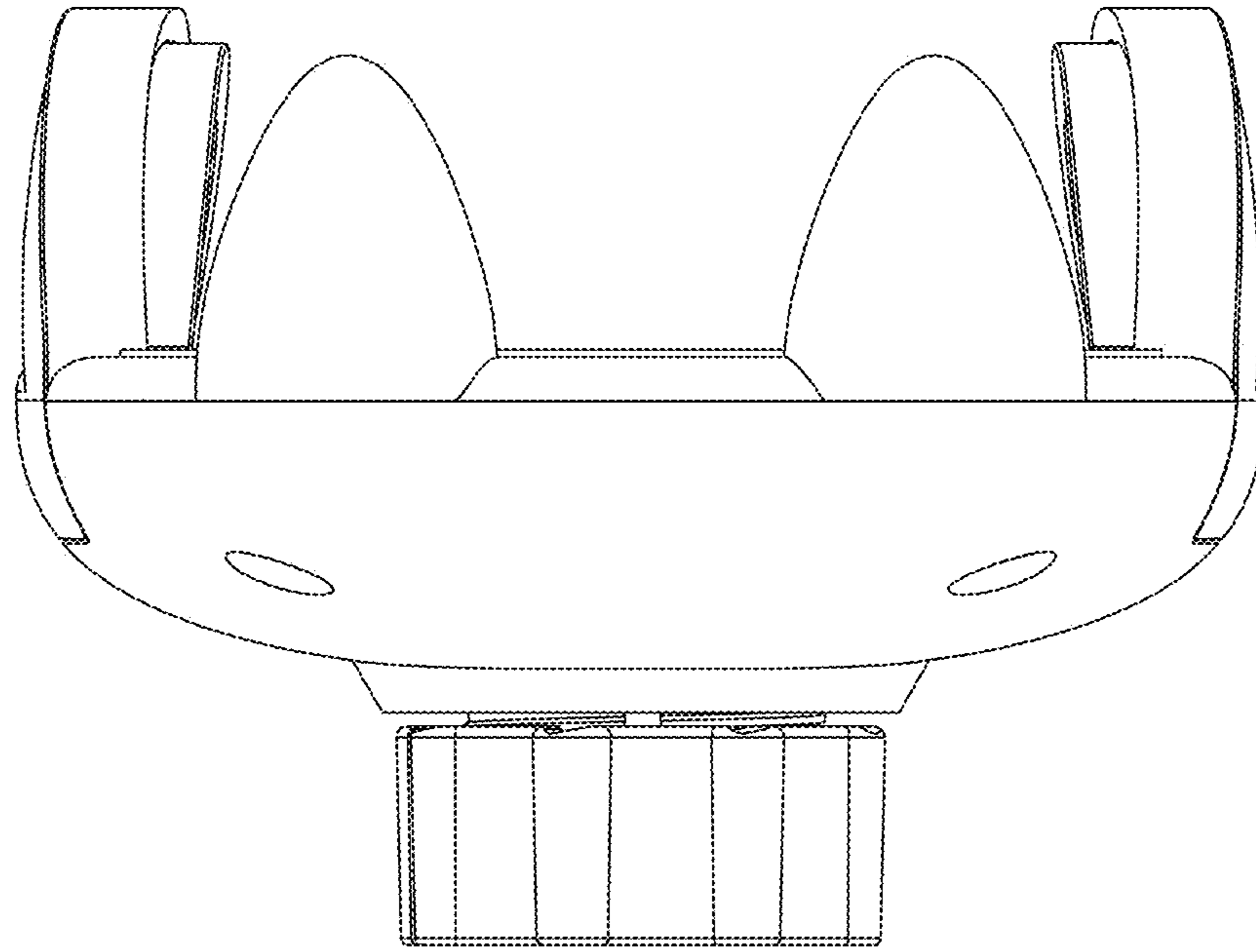


FIG.7