



US00D936640S

(12) **United States Design Patent**
Elwood et al.

(10) **Patent No.:** **US D936,640 S**

(45) **Date of Patent:** **** Nov. 23, 2021**

- (54) **MODULAR RADIO ENCLOSURE**
- (71) Applicant: **ConcealFab Corporation**, Colorado Springs, CO (US)
- (72) Inventors: **William Elwood**, Colorado Springs, CO (US); **Flynn McClellan**, Colorado Springs, CO (US); **Oliver Carson**, Colorado Springs, CO (US); **Carl Tompson**, Colorado Springs, CO (US)
- (73) Assignee: **ConcealFab Corporation**, Colorado Springs, CO (US)

D604,712 S * 11/2009 Smith D14/188
 7,782,268 B2 8/2010 Carroll et al.
 8,228,255 B2 * 7/2012 Mao H01Q 1/526
 343/841
 D697,900 S 1/2014 Yang et al.
 9,099,860 B2 8/2015 Martinez et al.
 D741,285 S * 10/2015 Boynton D14/188
 D751,610 S 3/2016 Serrurier et al.

(Continued)

FOREIGN PATENT DOCUMENTS

BR 3020190034611 7/2019
 WO 2019043046 A1 8/2018

OTHER PUBLICATIONS

Commscope, DC Surge Protection for 12 Remote RRH/Integrated Antenna, Talley Inc.

(Continued)

Primary Examiner — Selina Sikder

(74) *Attorney, Agent, or Firm* — Mehrman Law Office; Michael J. Mehrman

- (**) Term: **15 Years**
- (21) Appl. No.: **29/759,092**
- (22) Filed: **Nov. 19, 2020**
- (51) **LOC (13) Cl.** **14-03**
- (52) **U.S. Cl.**
USPC **D14/230**; D14/188; D14/217
- (58) **Field of Classification Search**
USPC ... D14/155, 188, 140.6, 217, 230, 233, 238, D14/299, 358
CPC H01Q 1/243; H01Q 1/246; H01Q 1/36; H01Q 1/38; H01Q 1/42; H01Q 7/00; H01Q 9/045; H01Q 9/285; H01Q 13/10; H05K 11/00; H04B 1/38
See application file for complete search history.

(57) **CLAIM**

The ornamental design for a modular radio enclosure, shown and described herein.

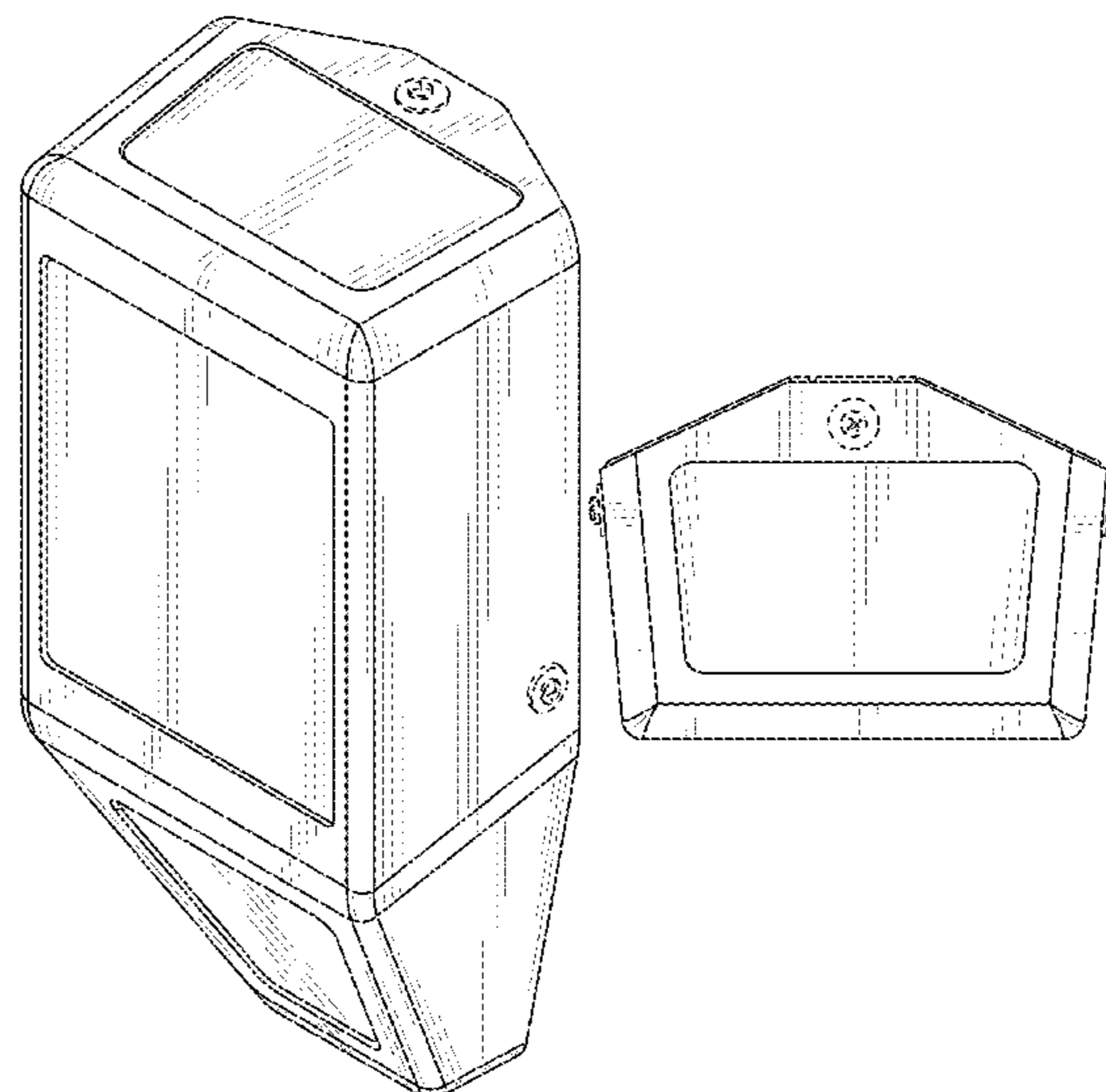
DESCRIPTION

FIG. 1 is a perspective view of a modular radio enclosure, showing the new design;
 FIG. 2 is a front elevational view thereof;
 FIG. 3 is a rear elevational view thereof;
 FIG. 4 is a left side elevational view thereof;
 FIG. 5 is a right side elevational view thereof;
 FIG. 6 is a top view of thereof; and,
 FIG. 7 is a bottom view thereof.
 The broken line portion of the figure drawings is included to show portions of the article that form no part of the claimed design.

1 Claim, 7 Drawing Sheets

(56) **References Cited**
U.S. PATENT DOCUMENTS

D211,028 S * 5/1968 Zucconi D14/230
 D342,250 S * 12/1993 Beaumont D13/184
 D347,004 S * 5/1994 Beaumont D14/137
 D367,652 S * 3/1996 Beaumont D13/184
 D398,611 S 9/1998 Read
 D402,663 S * 12/1998 Fechner D14/140.6
 D429,720 S 8/2000 Strand
 6,462,717 B1 * 10/2002 Wheelock H01Q 1/42
 343/872



(56)

References Cited

U.S. PATENT DOCUMENTS

9,685,713	B2	6/2017	Takahashi	
D805,503	S	12/2017	Corp et al.	
D815,625	S *	4/2018	Wartmann	D14/240
10,103,421	B1	10/2018	Alexander et al.	
10,135,130	B1 *	11/2018	Bouchard	H01Q 1/245
D844,573	S	4/2019	Hoffknecht et al.	
10,476,138	B2 *	11/2019	Gonsowski	H01Q 1/1228
D888,018	S *	6/2020	Tompson	D14/217
D888,696	S *	6/2020	Carson	D14/230
D890,135	S *	7/2020	Tompson	D14/217
10,727,563	B1 *	7/2020	Alexander	F24D 19/02
10,971,811	B1 *	4/2021	Schwartz	H01Q 1/1228
D926,737	S *	8/2021	Borst	D14/238
2003/0122714	A1 *	7/2003	Wannagot	H01Q 1/42
				343/700 MS
2017/0033446	A1 *	2/2017	Zhao	H01Q 1/1207
2017/0149128	A1 *	5/2017	Hunt	H01Q 1/521
2017/0244158	A1 *	8/2017	Ali	H04B 1/3827
2018/0151950	A1 *	5/2018	Hunt	G06F 1/181
2019/0080826	A1	3/2019	Kamensek et al.	

OTHER PUBLICATIONS

Arlington, Paving the Way for Faster Mobile Speeds in Arlington, Jun. 26, 2019, Virginia.

Raycap, Small Cell Concealments Product Guide 2020, Oct. 25, 2019 (accessed).

Raycap, 5G Radio Shroud, Oct. 25, 2019 (accessed).

* cited by examiner

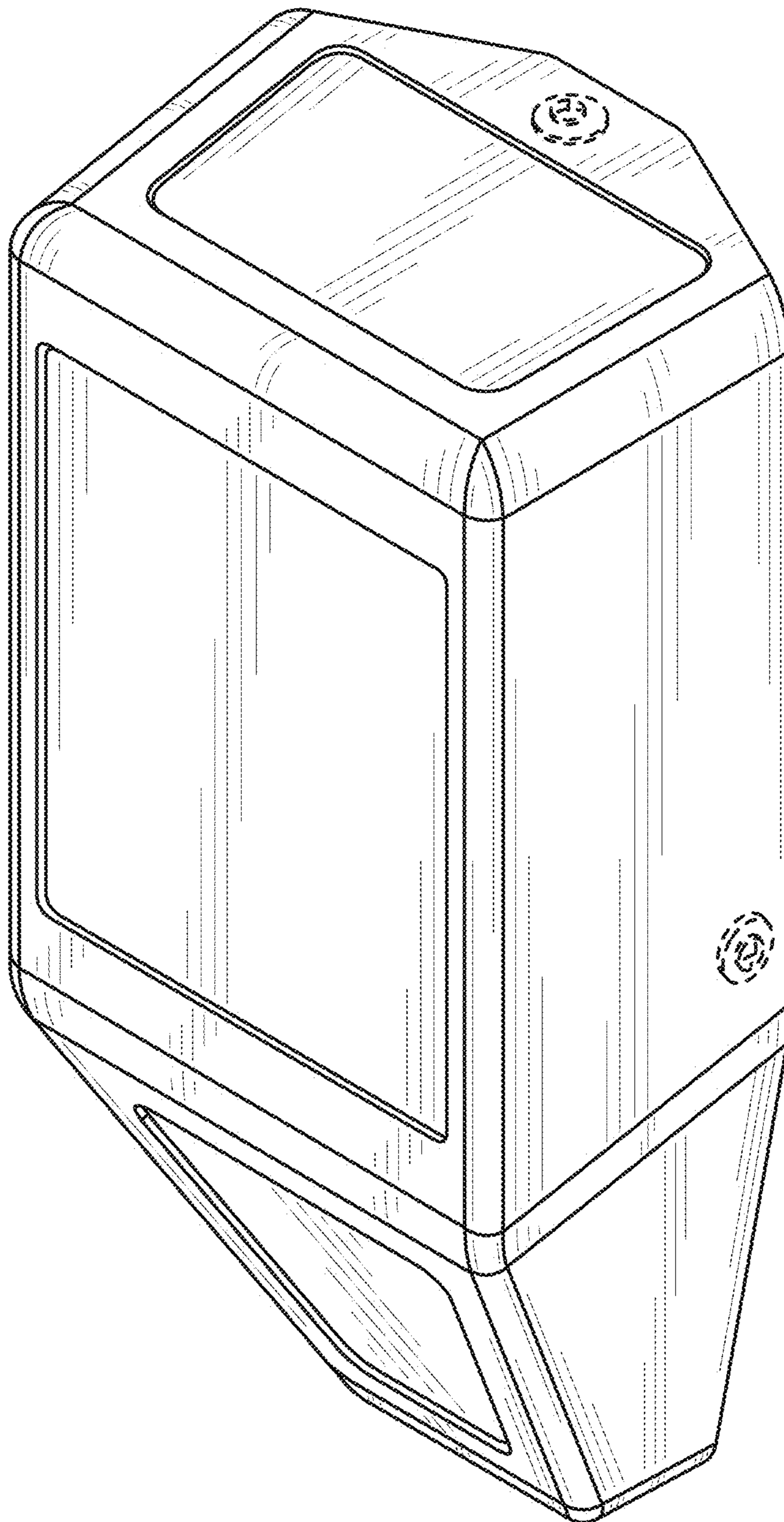


FIG. 1

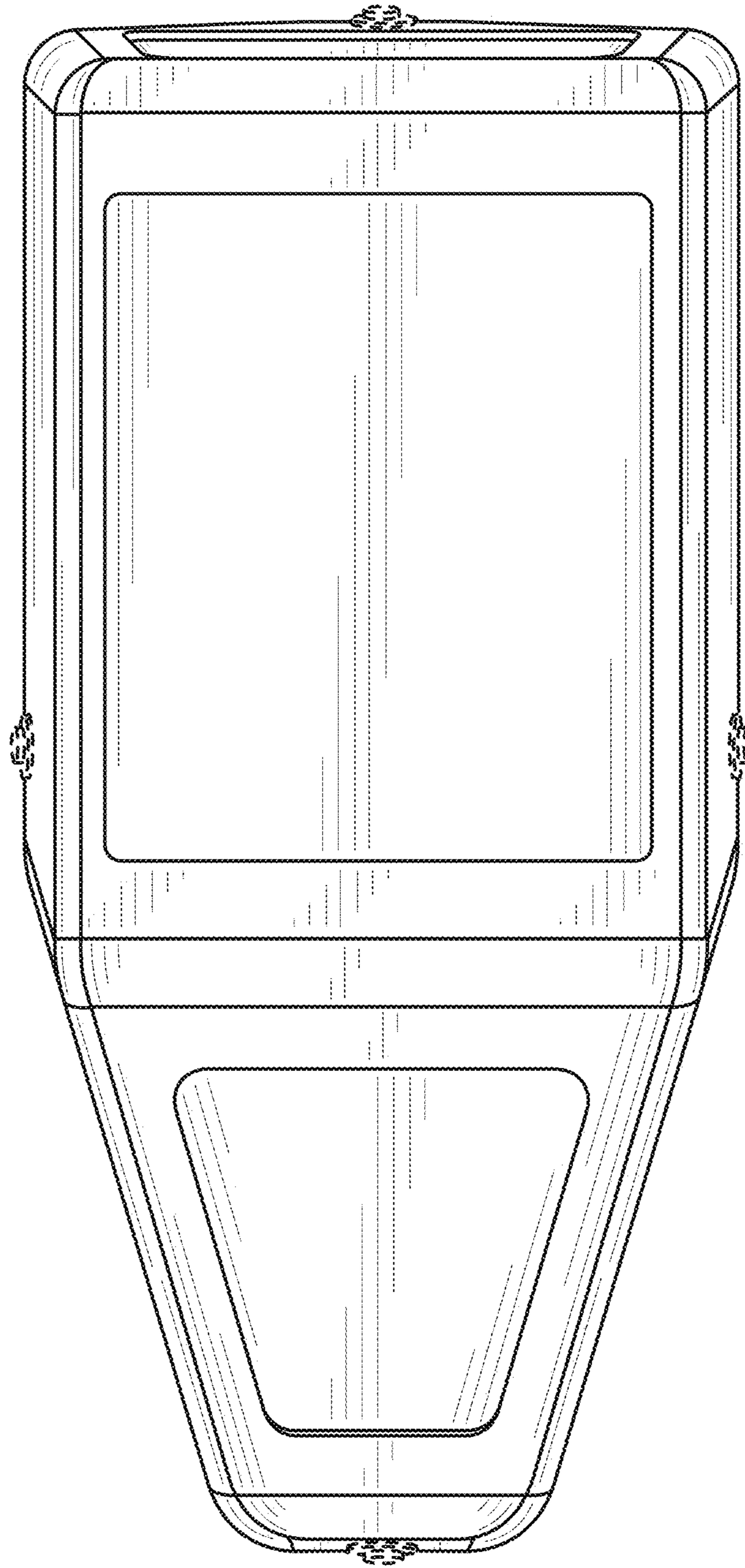


FIG. 2

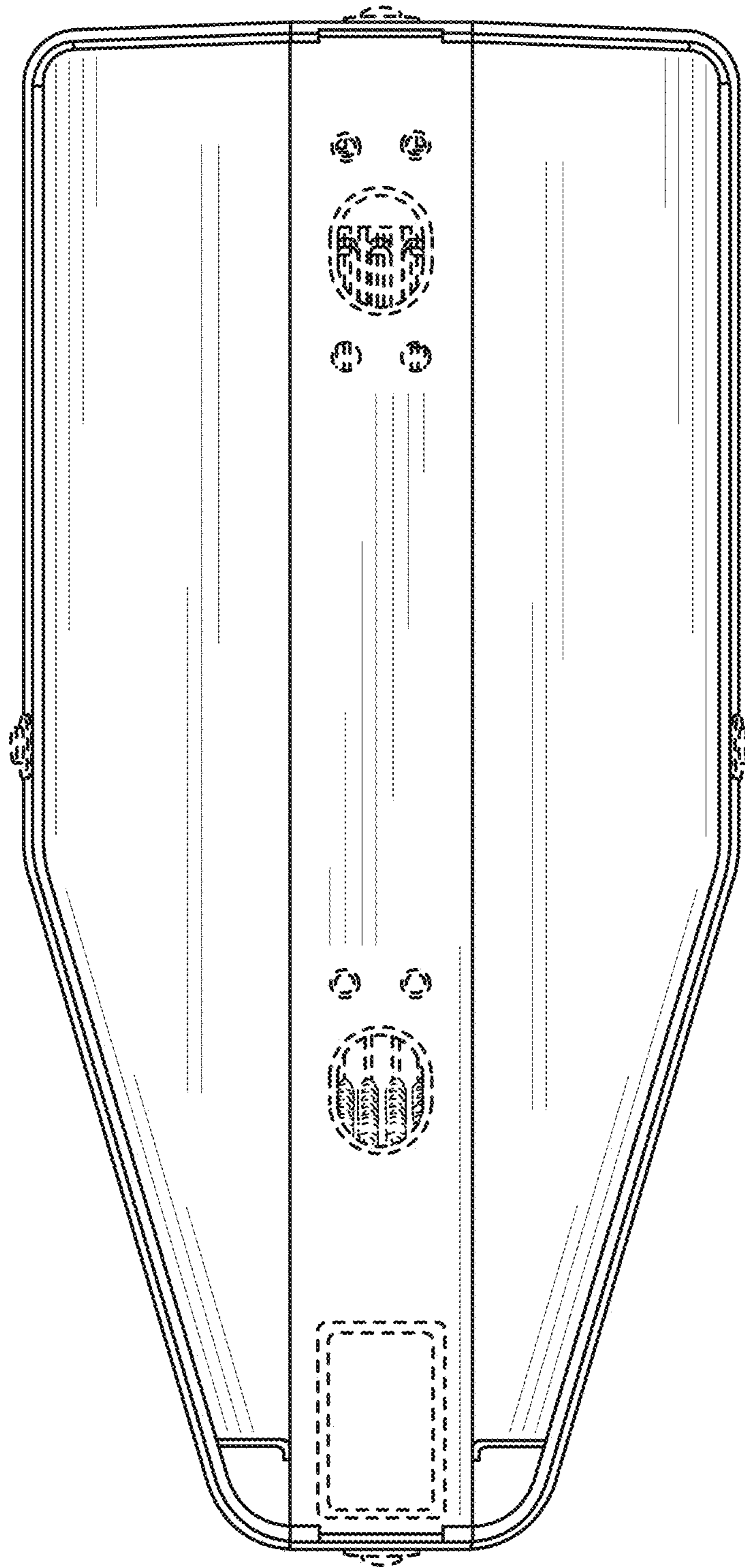


FIG. 3

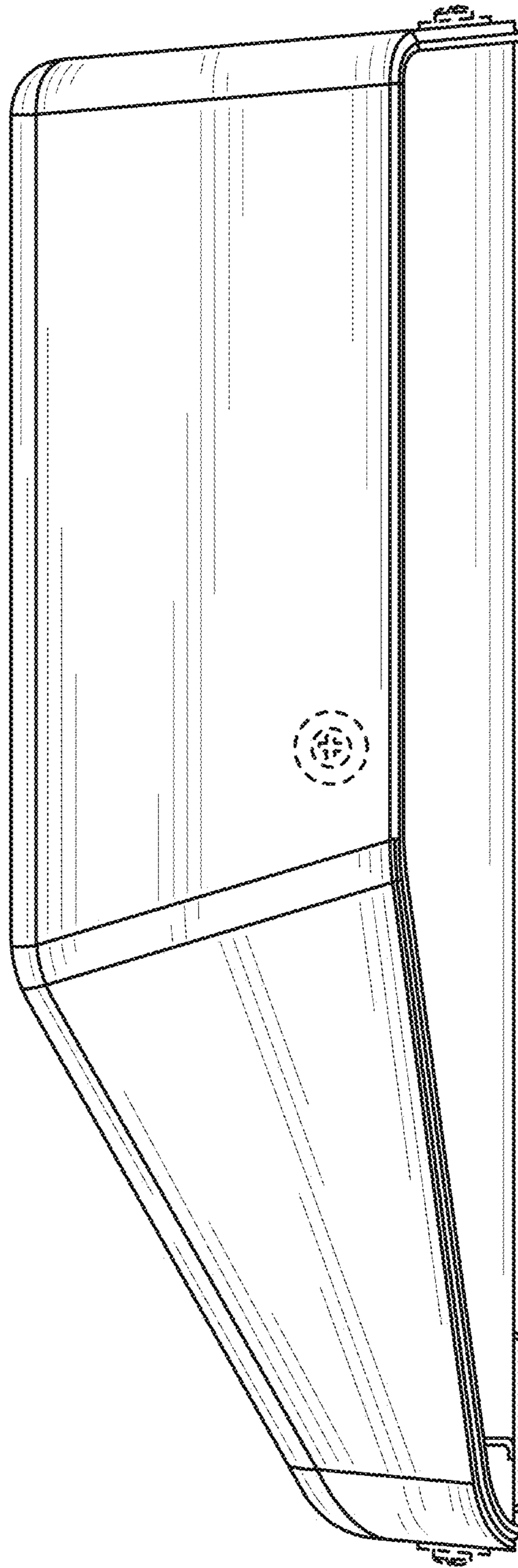


FIG. 4

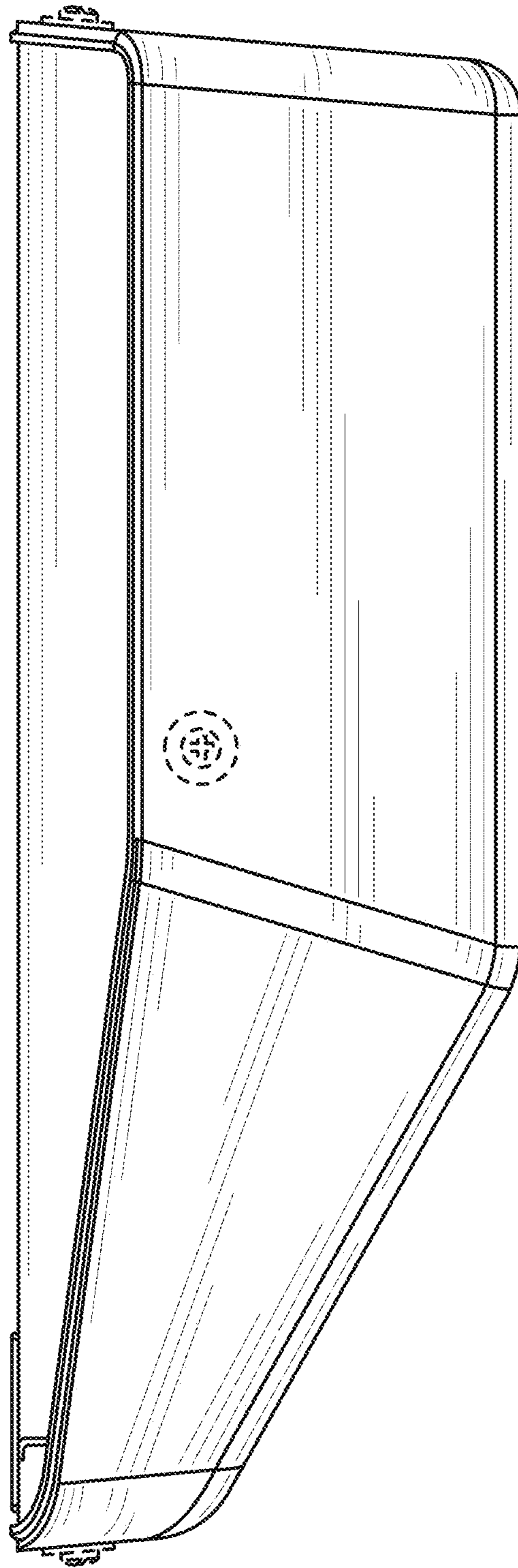


FIG. 5

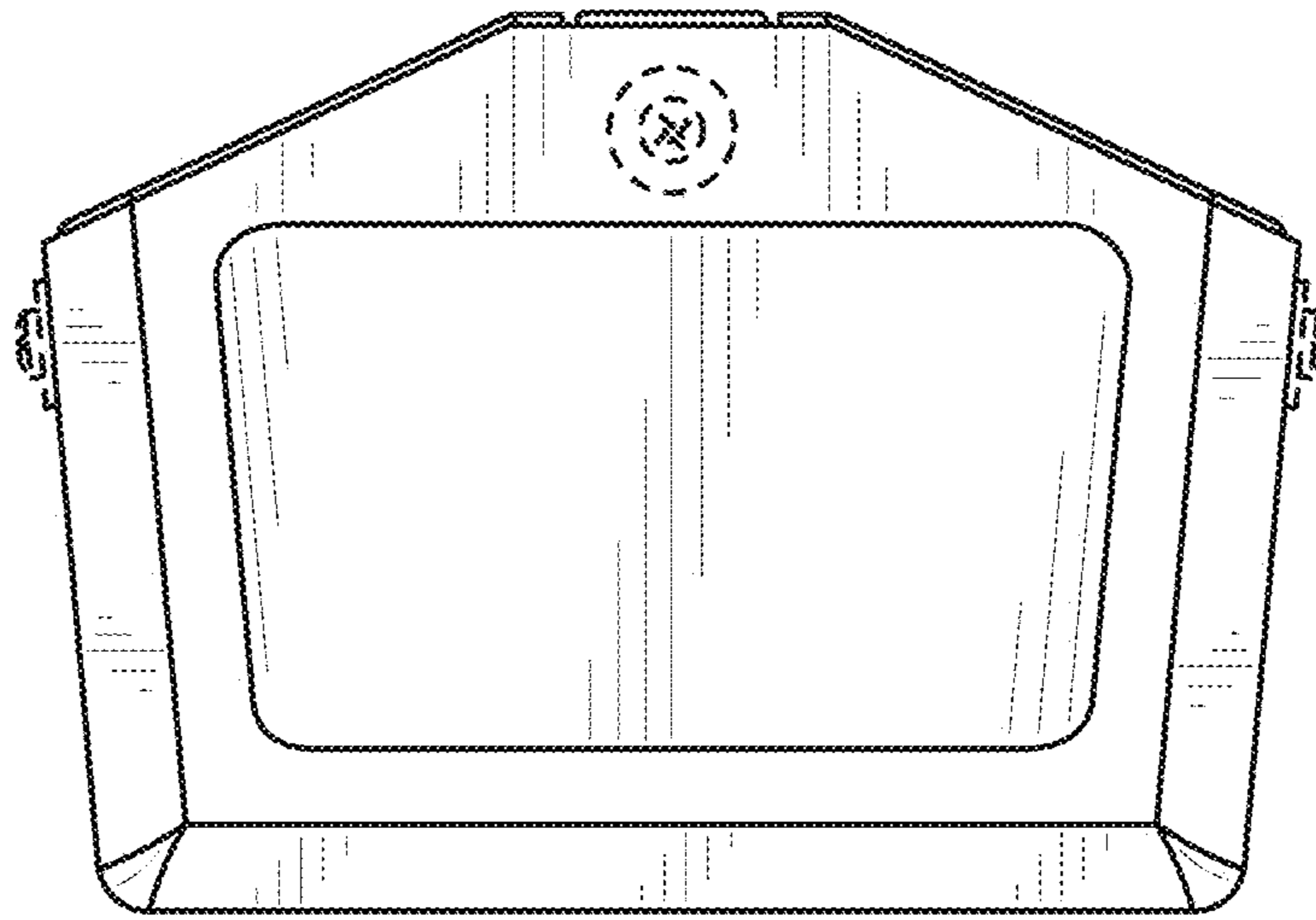


FIG. 6

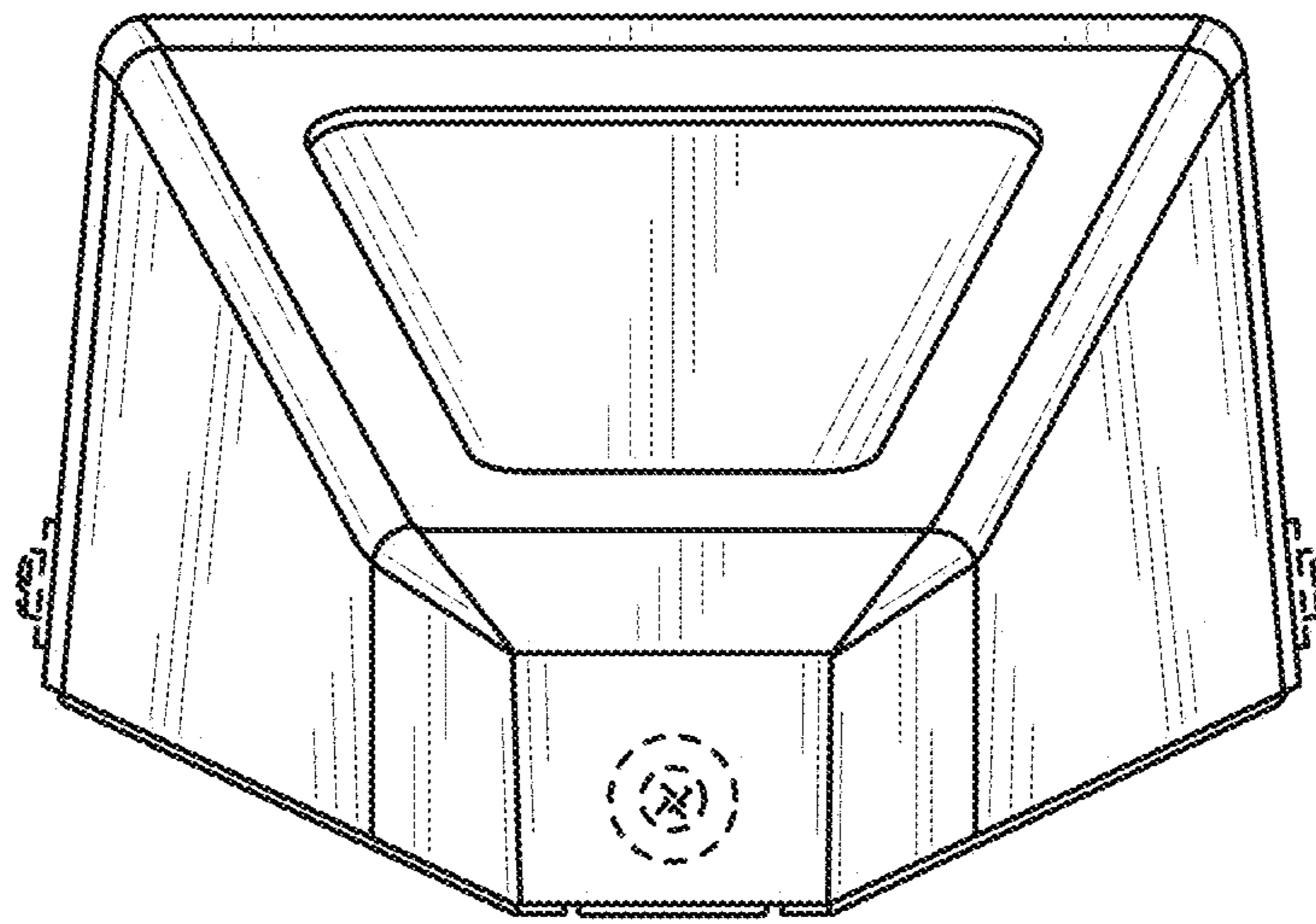


FIG. 7