



US00D936635S

(12) **United States Design Patent**
DeLuna et al.

(10) **Patent No.:** **US D936,635 S**

(45) **Date of Patent:** **** Nov. 23, 2021**

(54) **LOUDSPEAKER**

(71) Applicant: **Harman International Industries, Incorporated**, Northridge, CA (US)

(72) Inventors: **Jose Tomas DeLuna**, Canton, MI (US);
Jeffery Fay, Farmington Hills, MI (US)

(73) Assignee: **Harman International Industries, Incorporated**, Northridge, CA (US)

(**) Term: **15 Years**

(21) Appl. No.: **29/719,254**

(22) Filed: **Jan. 2, 2020**

(51) **LOC (13) Cl.** **14-01**

(52) **U.S. Cl.**
USPC **D14/216**; D14/215

(58) **Field of Classification Search**
USPC D14/216, 221, 210, 496, 155, 169, 171,
D14/172, 188, 250, 137, 219, 226, 225,
D14/214, 204, 209.1, 217, 215, 211
CPC H04R 1/02; H04R 1/021; H04R 1/023;
H04R 1/025; H04R 1/026; H04R 1/028;
H04R 1/323; H04R 1/403; H04R 1/2803;
H04R 1/2834; H04R 5/00; H04R 5/02;
H04R 9/06; H04R 2420/07; H04R
2201/021; H04R 2400/00; B60R 11/0217;
G06F 1/1688; G10K 9/22; G10K 11/004;
H04S 3/00; H04S 7/30

See application file for complete search history.

(56) **References Cited**

U.S. PATENT DOCUMENTS

D519,495 S *	4/2006	Lum	D14/221
D550,205 S *	9/2007	Kaneda	D14/216
D563,947 S *	3/2008	Uehara	D14/216
D859,365 S *	9/2019	Kitamura	D14/216
D864,916 S *	10/2019	Wakasa	D14/221
D870,705 S *	12/2019	Lee	D14/216
D872,052 S *	1/2020	Kitamura	D14/210
D875,078 S *	2/2020	Horiuchi	D14/216

D875,080 S *	2/2020	Horiuchi	D14/216
D875,081 S *	2/2020	Horiuchi	D14/216
D897,311 S *	9/2020	Matsubayashi	D14/216
D897,312 S *	9/2020	Matsubayashi	D14/216
D900,061 S *	10/2020	Mihara	D14/216

(Continued)

OTHER PUBLICATIONS

Harman Infinity Kappa Speakers Specification Sheet, 2017.
(Continued)

Primary Examiner — Ramzi Almatrahi

Assistant Examiner — Charles Cunningham

(74) *Attorney, Agent, or Firm* — Plumsea Law Group, LLC

(57) **CLAIM**

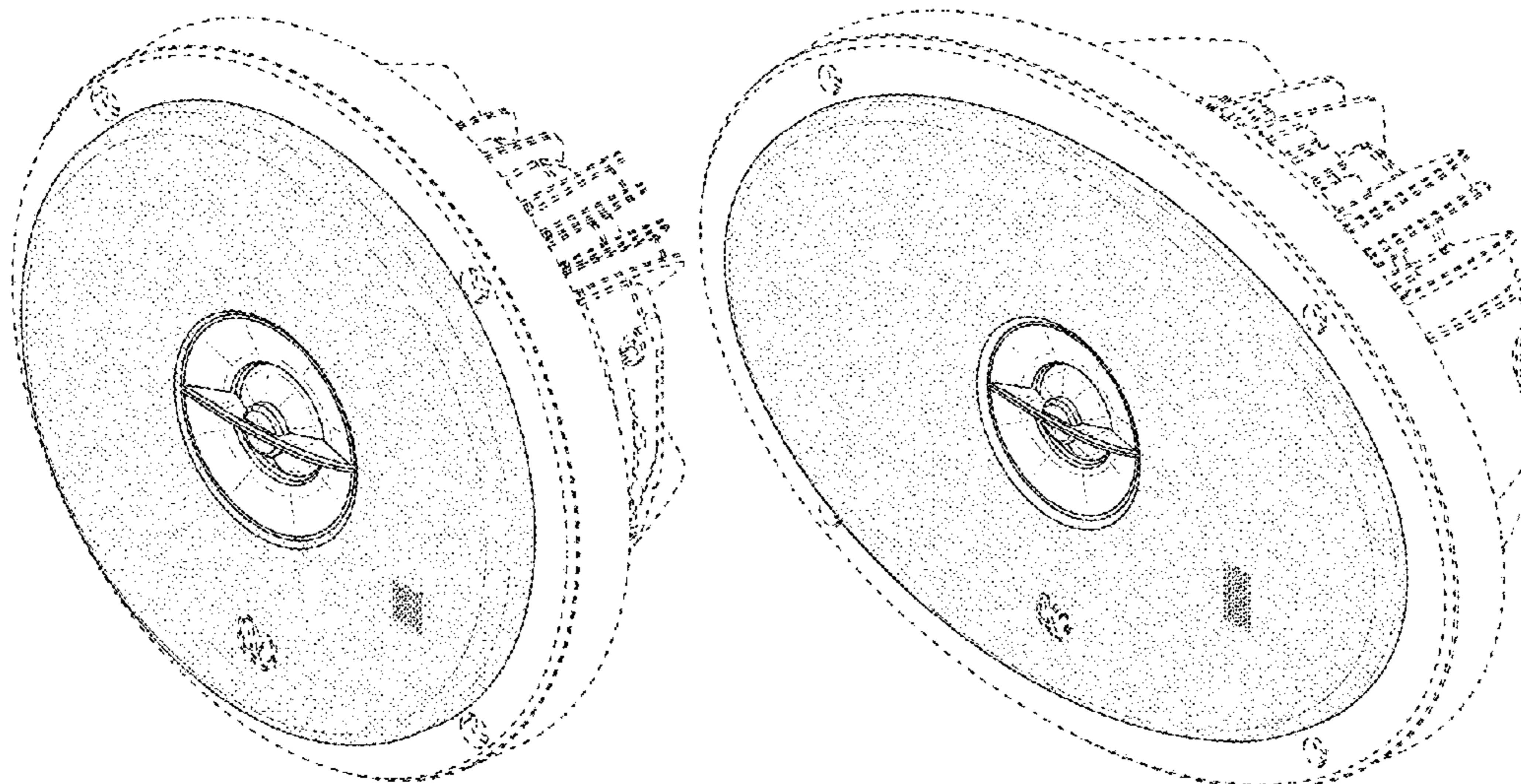
The ornamental design for a loudspeaker, as shown and described.

DESCRIPTION

FIG. 1 is a front perspective view of a first embodiment of a loudspeaker showing our new design;
FIG. 2 is a front elevational view thereof;
FIG. 3 is a rear elevational view thereof;
FIG. 4 is a side elevational view thereof;
FIG. 5 is an opposite side elevational view thereof;
FIG. 6 is a top view thereof;
FIG. 7 is a bottom view thereof;
FIG. 8 is a top perspective view of a second embodiment of a loudspeaker showing our new design;
FIG. 9 is a front elevational view thereof;
FIG. 10 is a rear elevational view thereof;
FIG. 11 is a side elevational view thereof;
FIG. 12 is an opposite side elevational view thereof;
FIG. 13 is a top view thereof; and,
FIG. 14 is a bottom view thereof.

The broken lines illustrate portions of the loudspeaker that form no part of the claimed design.

1 Claim, 14 Drawing Sheets



(56)

References Cited

U.S. PATENT DOCUMENTS

D918,859 S * 5/2021 DeLuna D14/204
D920,280 S * 5/2021 DeLuna D14/204
D920,281 S * 5/2021 DeLuna D14/204

OTHER PUBLICATIONS

Harman Infinity Primus Speakers Specification Sheet, 2017.
Harman Infinity Reference Speakers Specification Sheet, 2017.
Design U.S. Appl. No. 29/631,564, filed Dec. 29, 2017.
Design U.S. Appl. No. 29/675,348, filed Dec. 31, 2018.
Design U.S. Appl. No. 29/704,229, filed Sep. 3, 2019.
Design U.S. Appl. No. 29/704,250, filed Sep. 3, 2019.
Design U.S. Appl. No. 29/704,231, filed Sep. 3, 2019.

* cited by examiner

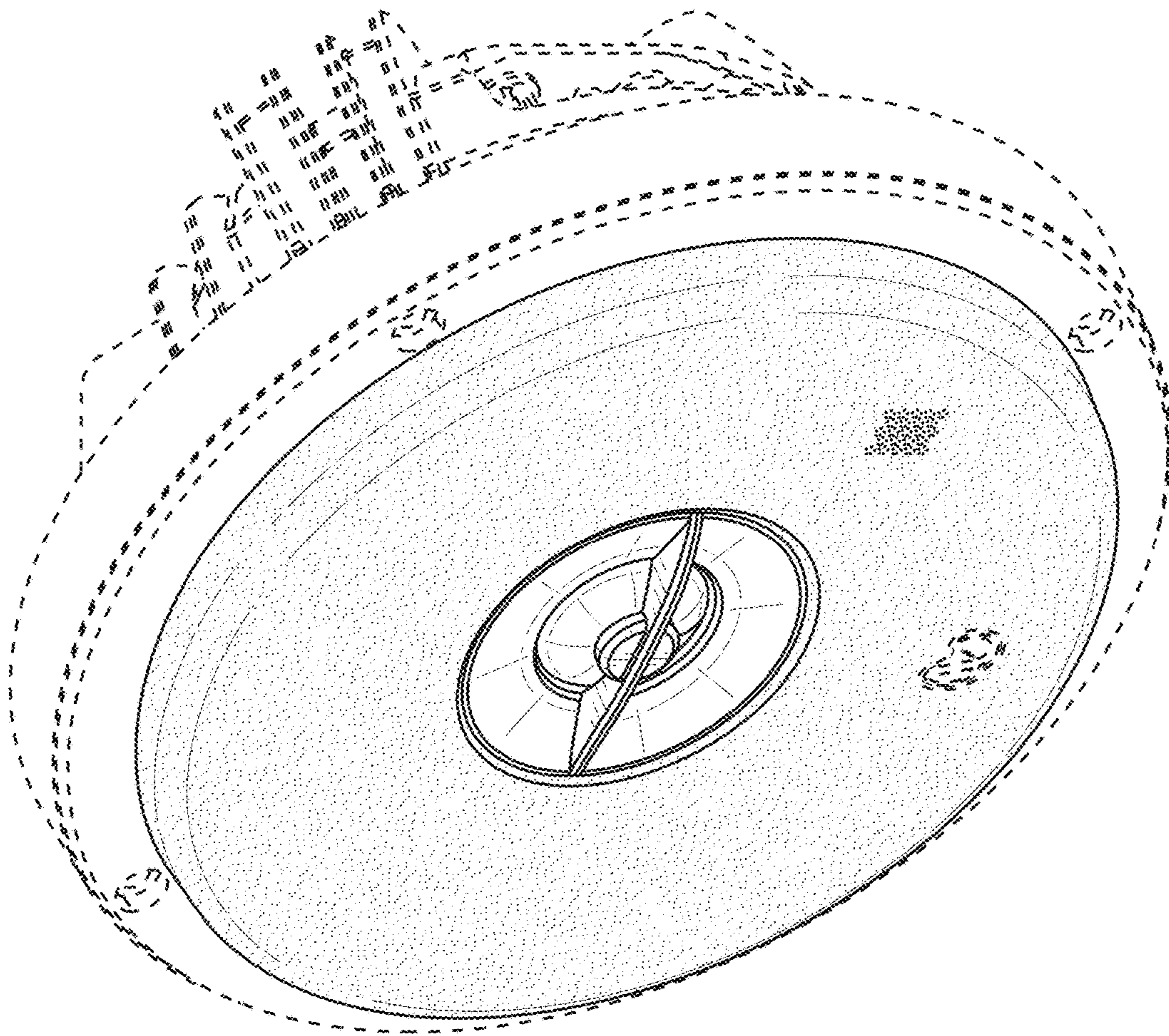


FIG. 1

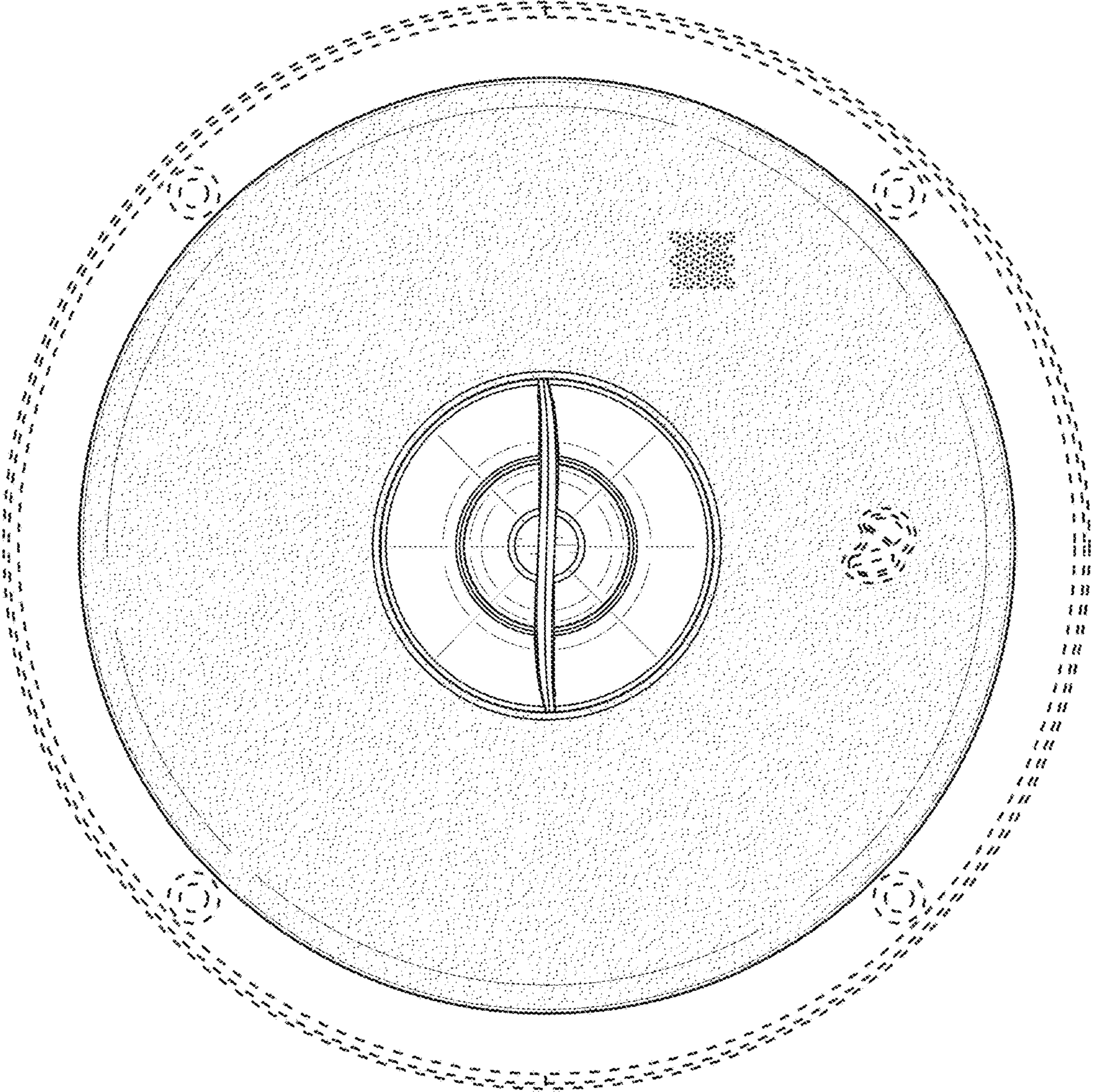


FIG. 2

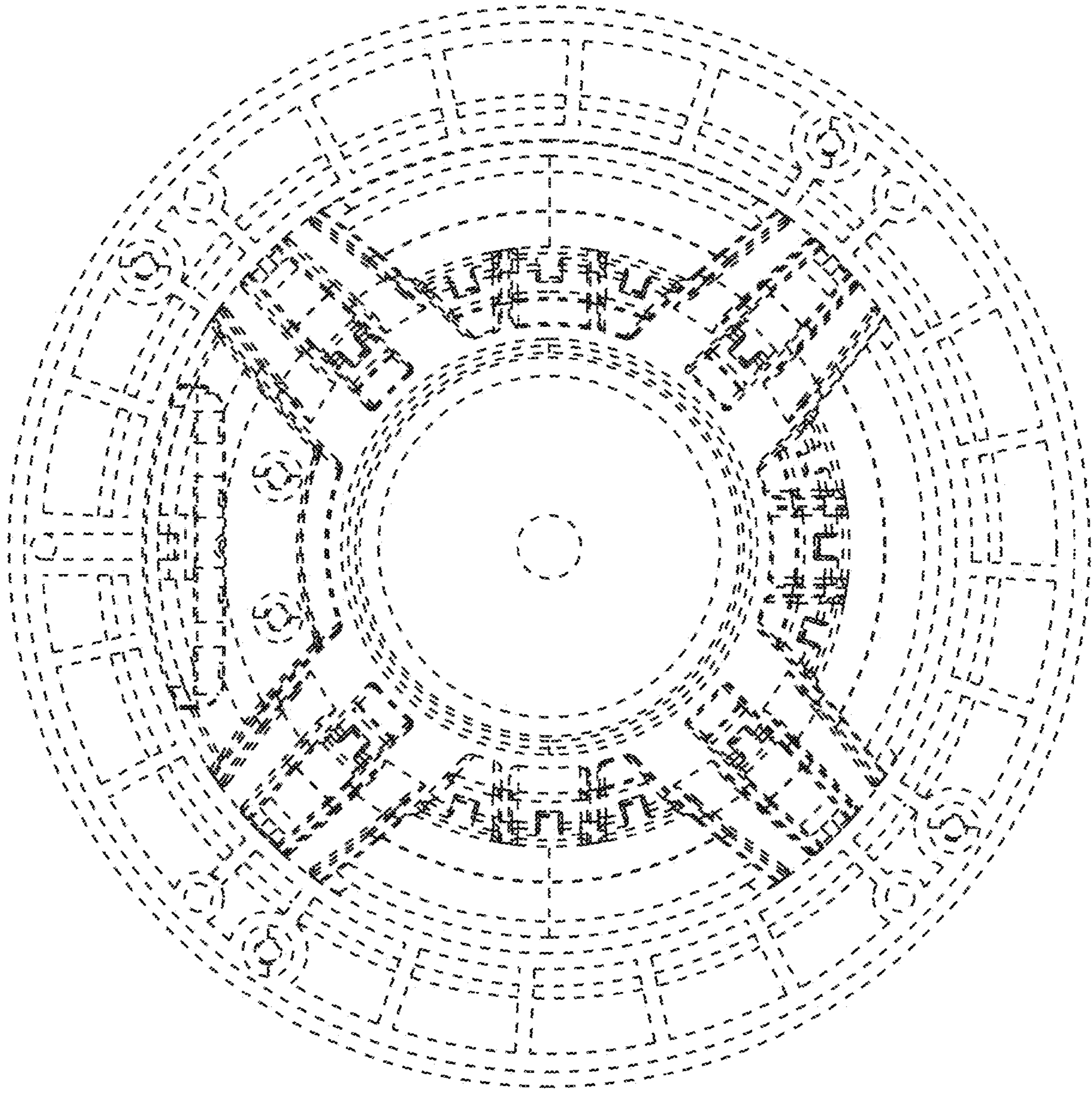


FIG. 3

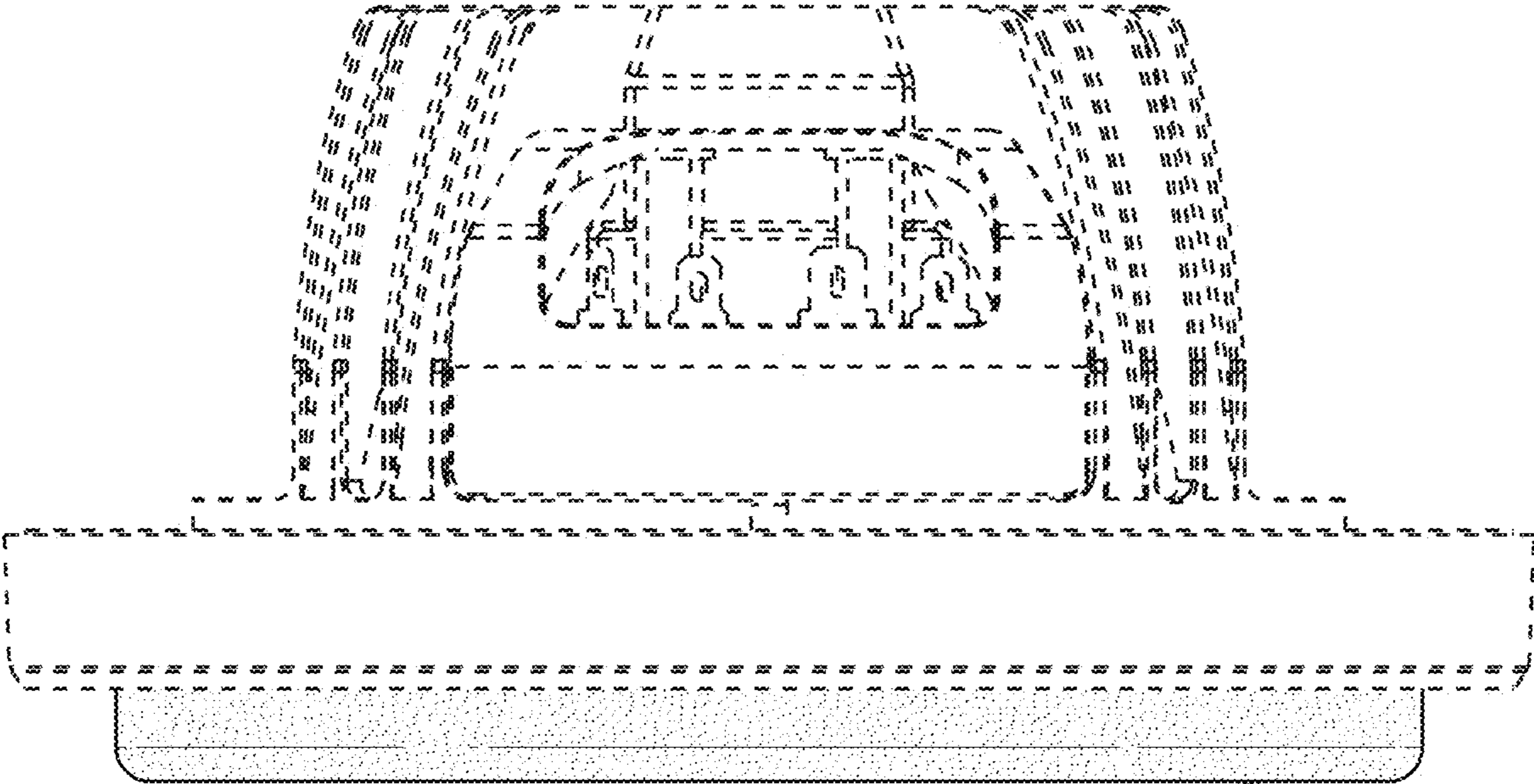


FIG. 4

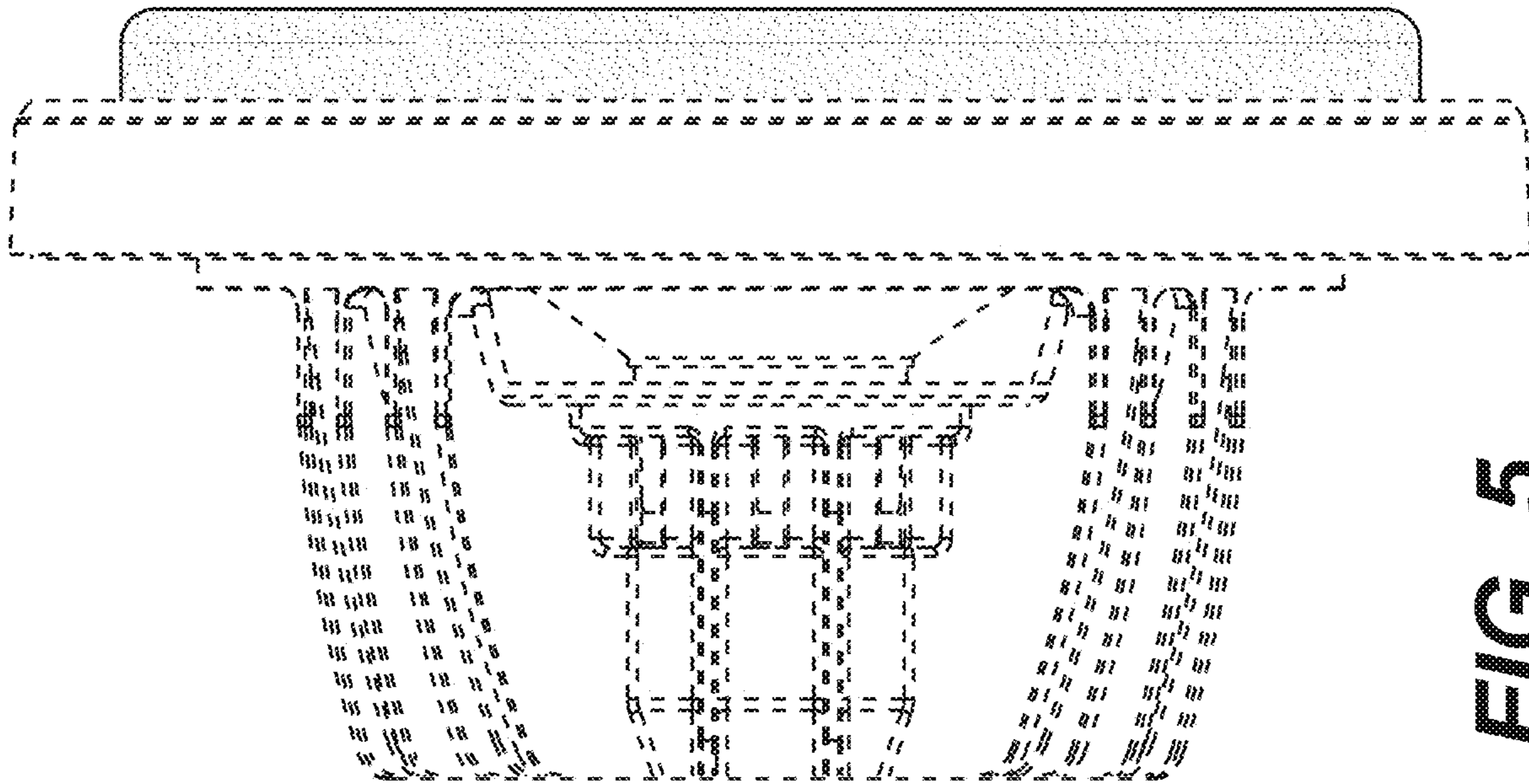


FIG. 5

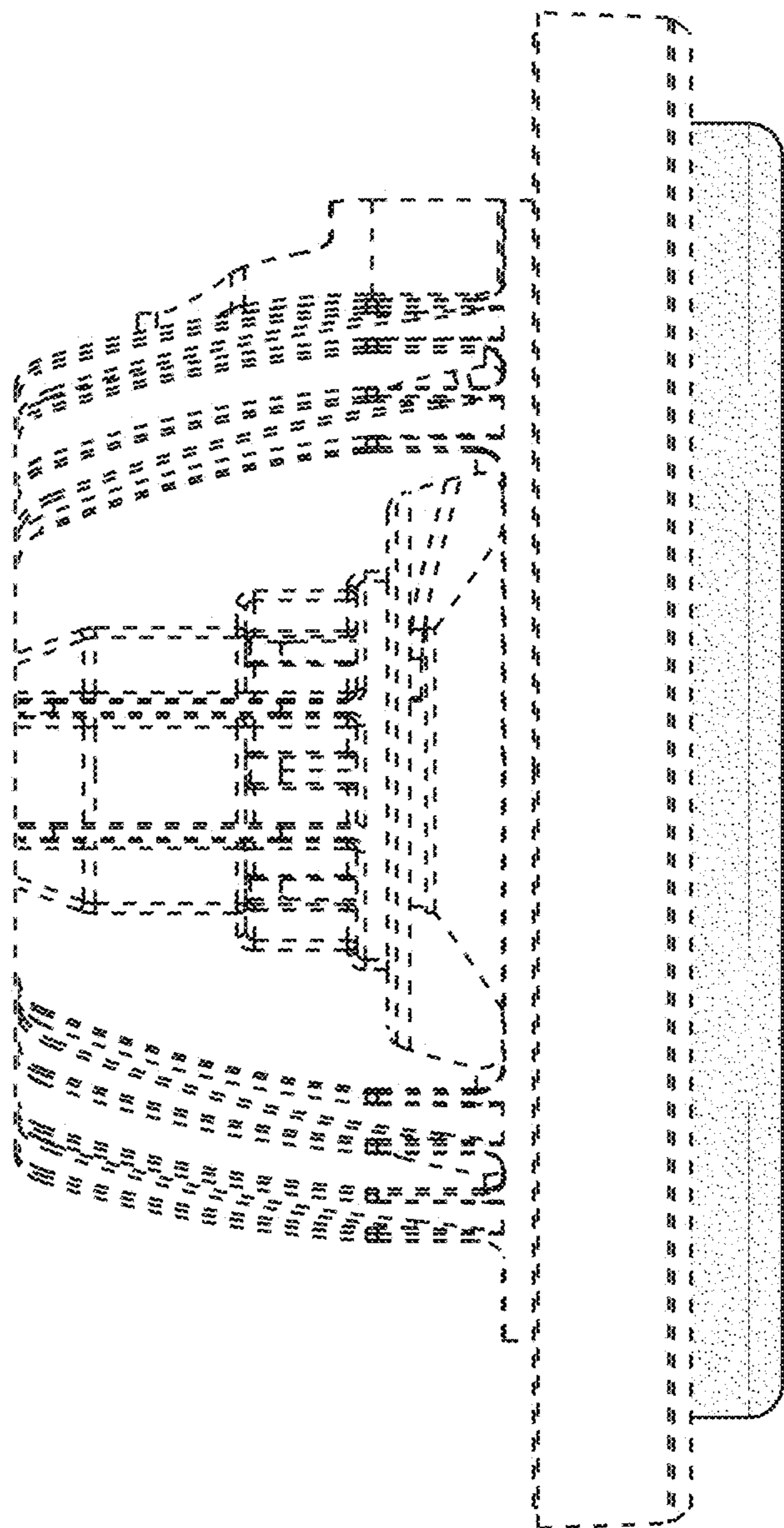


FIG. 6

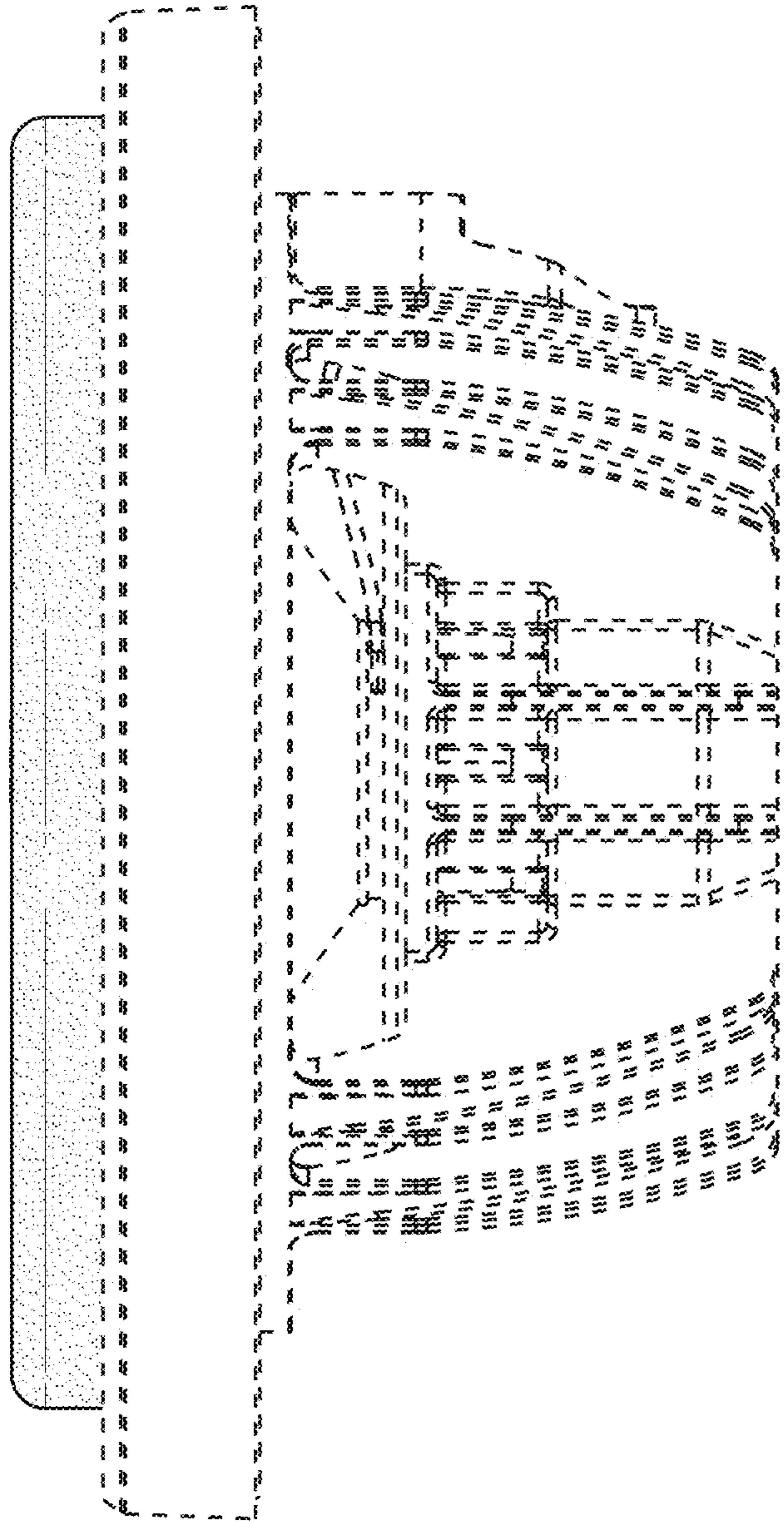


FIG. 7

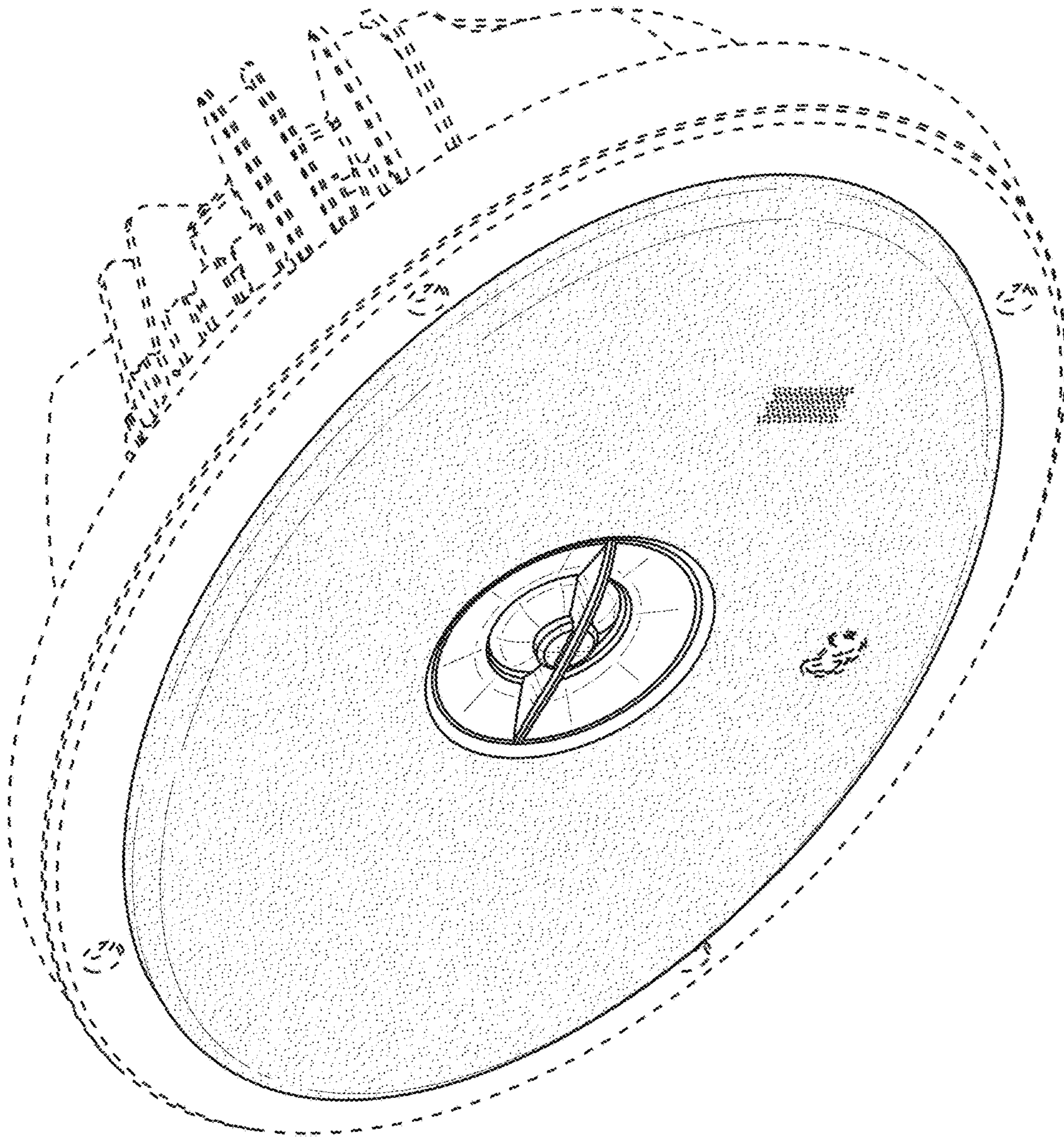


FIG. 8

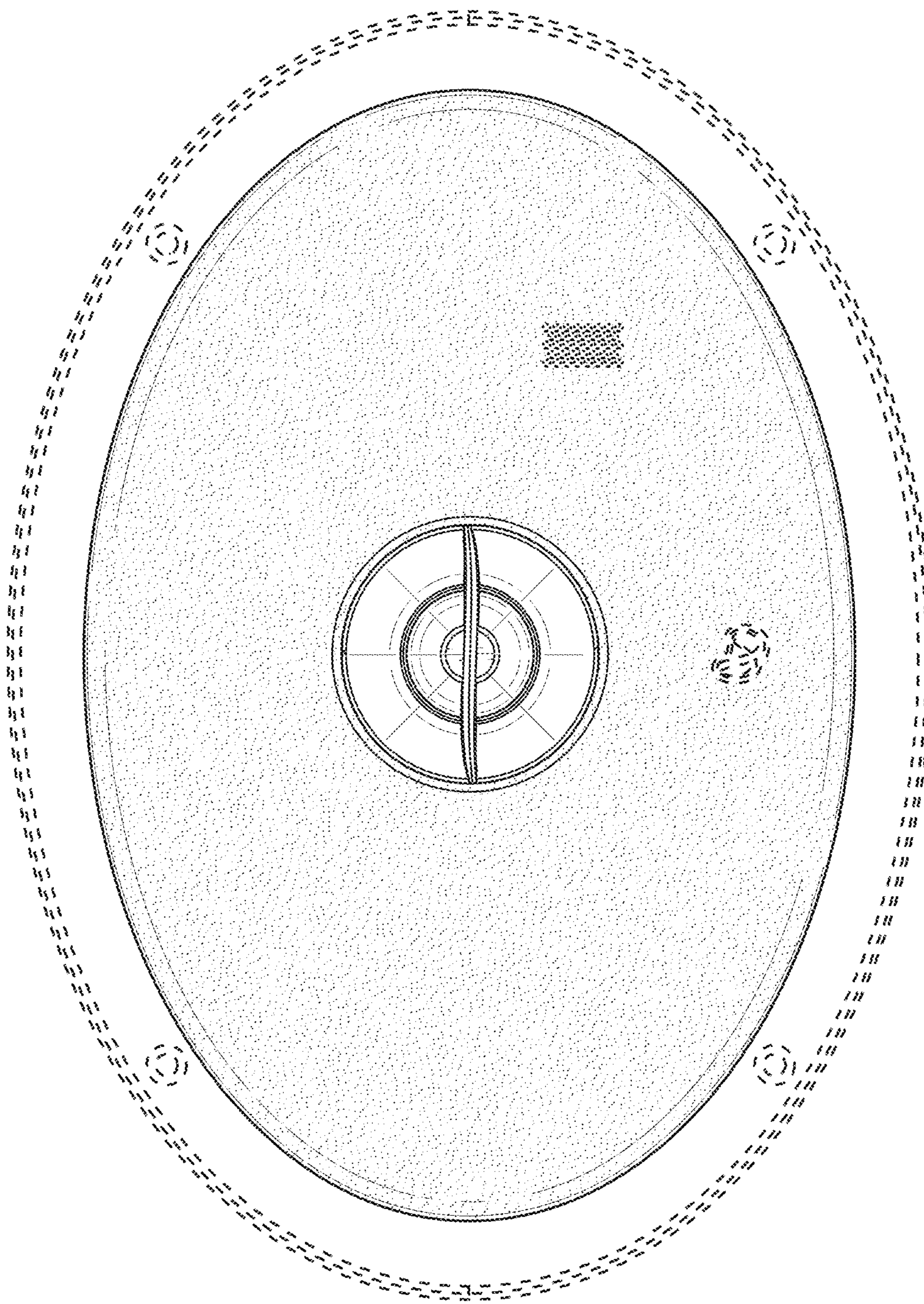


FIG. 9

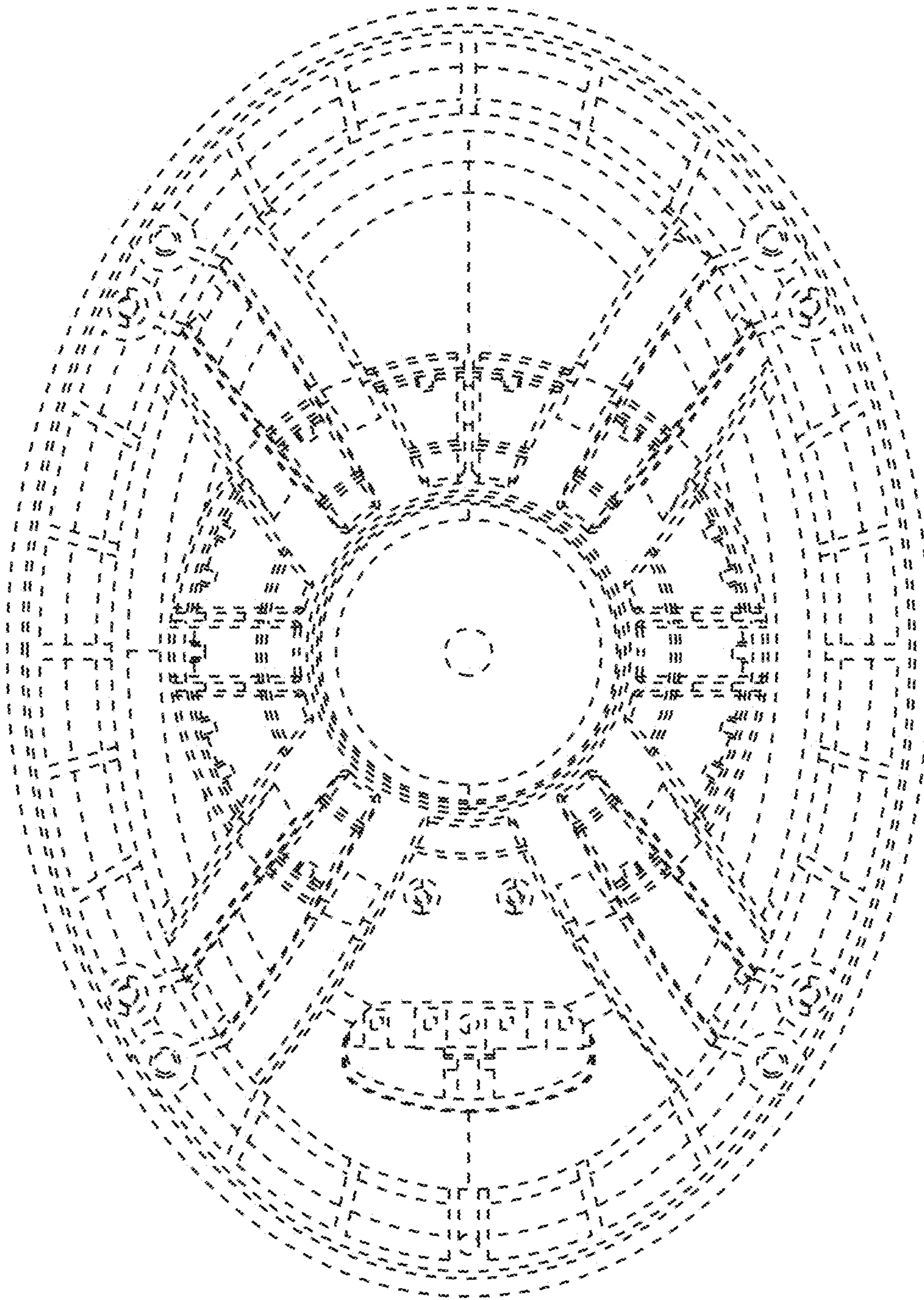


FIG. 10

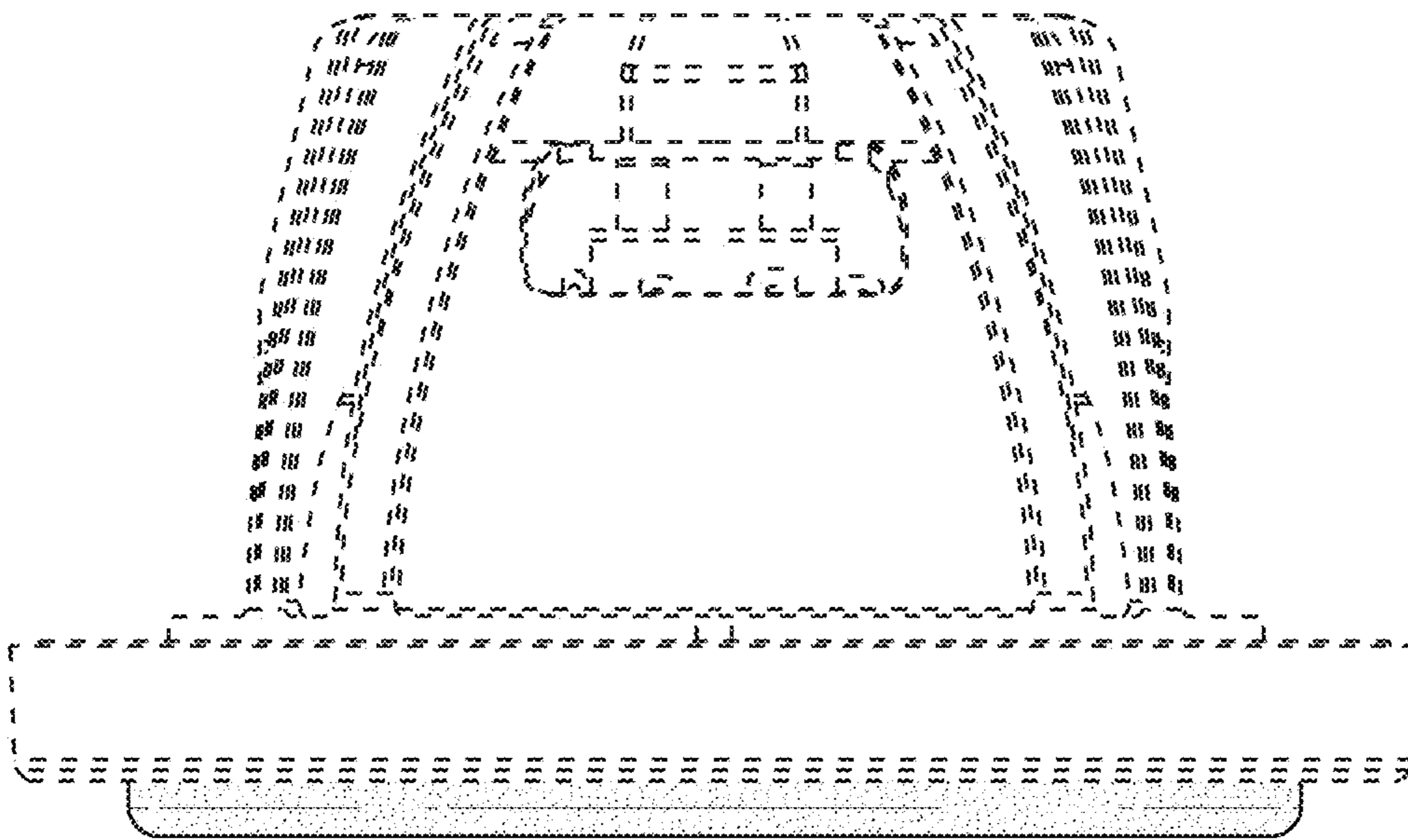


FIG. 11

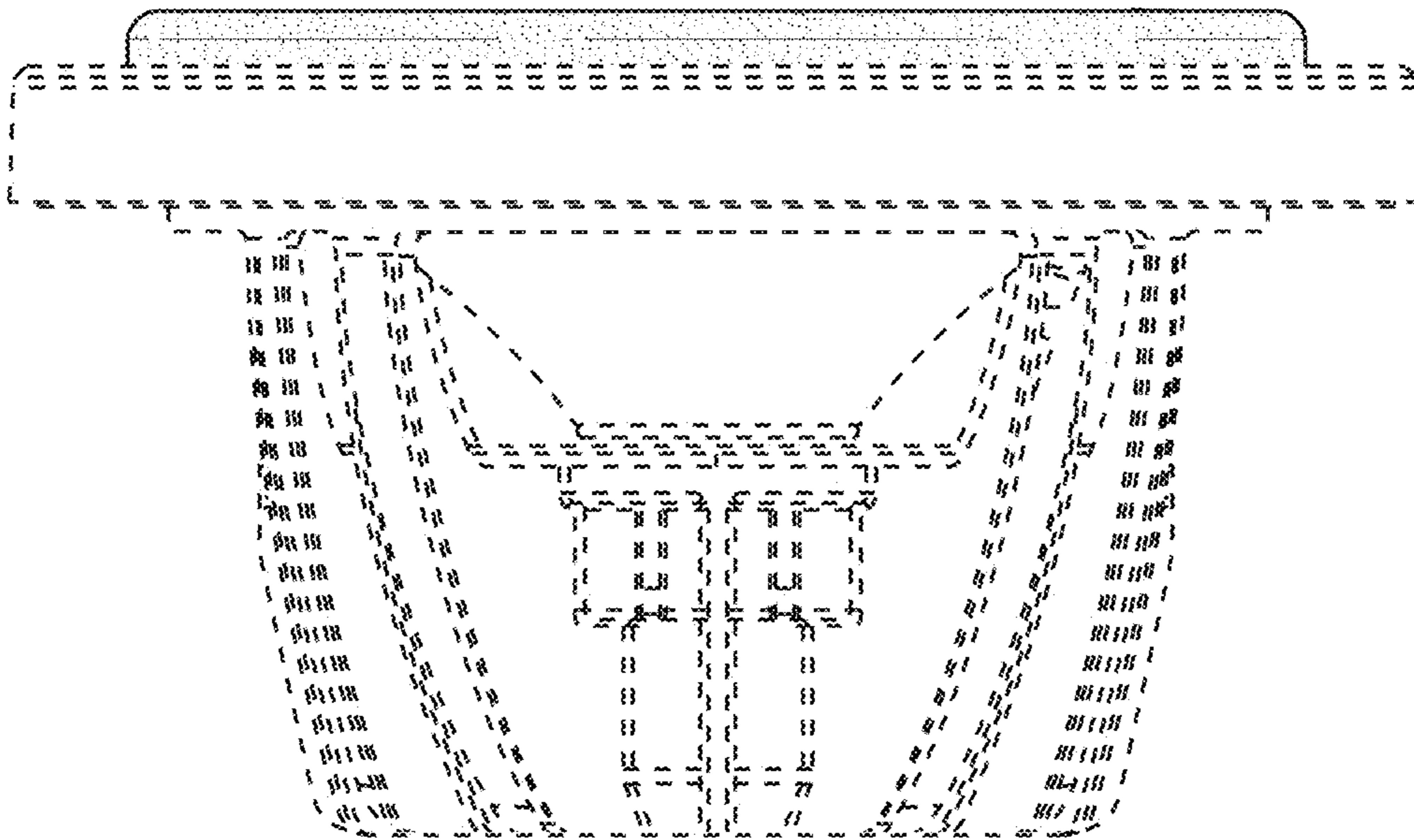


FIG. 12

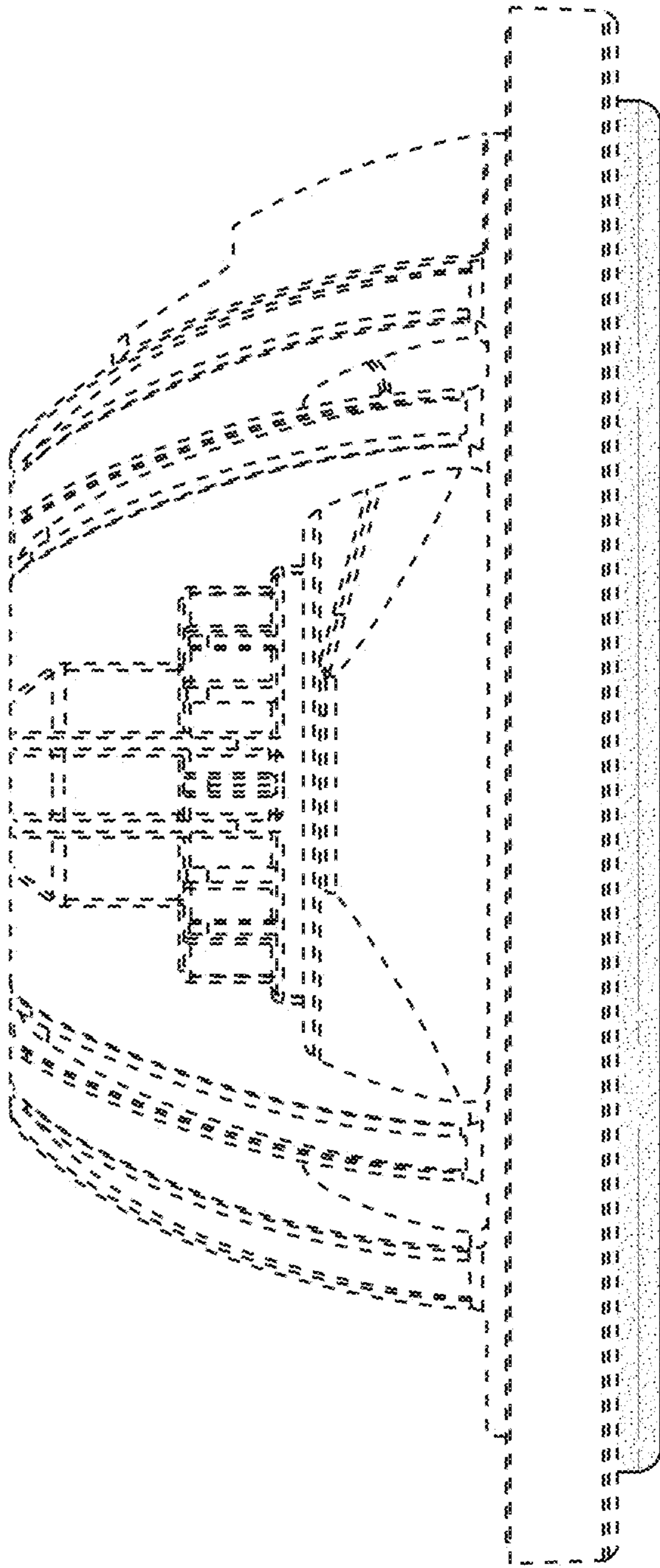


FIG. 13

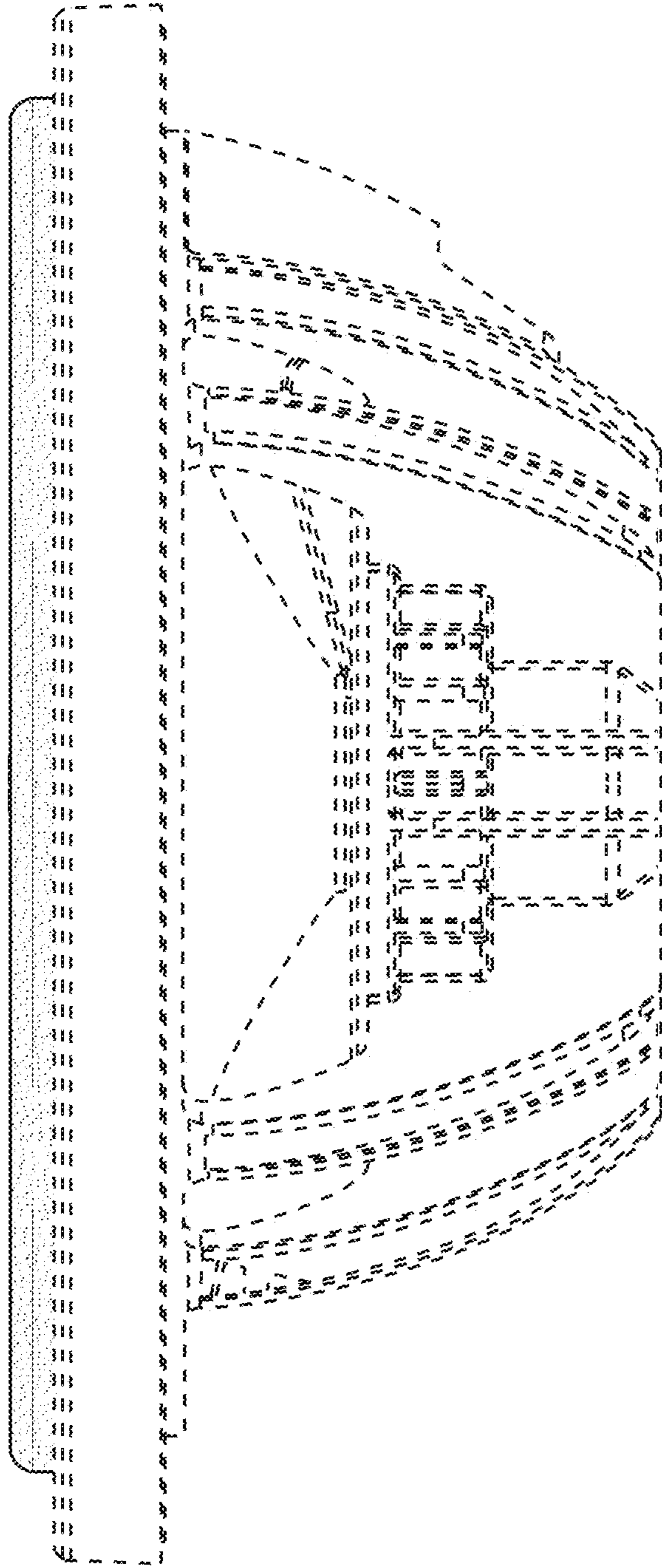


FIG. 14