



US00D936634S

(12) **United States Design Patent** (10) **Patent No.:** **US D936,634 S**
Park (45) **Date of Patent:** **** Nov. 23, 2021**

(54) **SOUND BAR**
(71) Applicant: **LG ELECTRONICS INC.**, Seoul (KR)
(72) Inventor: **Sungyong Park**, Seoul (KR)
(73) Assignee: **LG ELECTRONICS INC.**, Seoul (KR)

D800,693 S * 10/2017 Sugiura D14/214
D826,213 S * 8/2018 Kim D14/210
D835,605 S * 12/2018 Schoolmeester D14/214
D870,076 S * 12/2019 Park D14/214
D883,953 S * 5/2020 Chong D14/214
D900,060 S * 10/2020 Oota D14/214
D900,785 S * 11/2020 Kim D14/214
D900,786 S * 11/2020 Kim D14/214
D906,283 S * 12/2020 Schoolmeester D14/214

(**) Term: **15 Years**
(21) Appl. No.: **35/510,182**
(22) Filed: **Feb. 25, 2020**

(80) **Hague Agreement Data**
Int. Filing Date: **Feb. 25, 2020**
Int. Reg. No.: **DM/206573**
Int. Reg. Date: **Feb. 25, 2020**
Int. Reg. Pub. Date: **Aug. 28, 2020**

(30) **Foreign Application Priority Data**
Sep. 6, 2019 (KR) 30-2019-0043178
(51) **LOC (13) Cl.** **14-03**
(52) **U.S. Cl.**
USPC **D14/214**
(58) **Field of Classification Search**
USPC D14/125-129, 132, 170-172, 214, 239,
D14/336, 341, 373-377, 451, 900-902
CPC G06F 1/1601; G06F 1/1605; G06F 1/162
See application file for complete search history.

(56) **References Cited**
U.S. PATENT DOCUMENTS
D660,284 S * 5/2012 Carbone D14/214
D722,587 S * 2/2015 Green D14/188
D743,940 S * 11/2015 Yang D14/214
D791,736 S * 7/2017 Schoolmeester D14/214

OTHER PUBLICATIONS

LG Soundbars at CES 2018, publication date Dec. 29, 2017, [online] URL: <https://www.avforums.com/threads/lg-soundbars-at-ces-2018.2945802/> (Year: 2017).*
Xiaomi Mi TV 4 Is A Modular and Ridiculously Thin TV, publication date Jan. 5, 2017, [online] URL: <https://www.ubergizmo.com/2017/01/xiaomi-mi-tv-4-is-a-modular-and-ridiculously-thin-tv/> (Year: 2017).*

(Continued)

Primary Examiner — L. A. Grabenstetter
(74) *Attorney, Agent, or Firm* — Birch, Stewart, Kolasch & Birch, LLP

(57) **CLAIM**

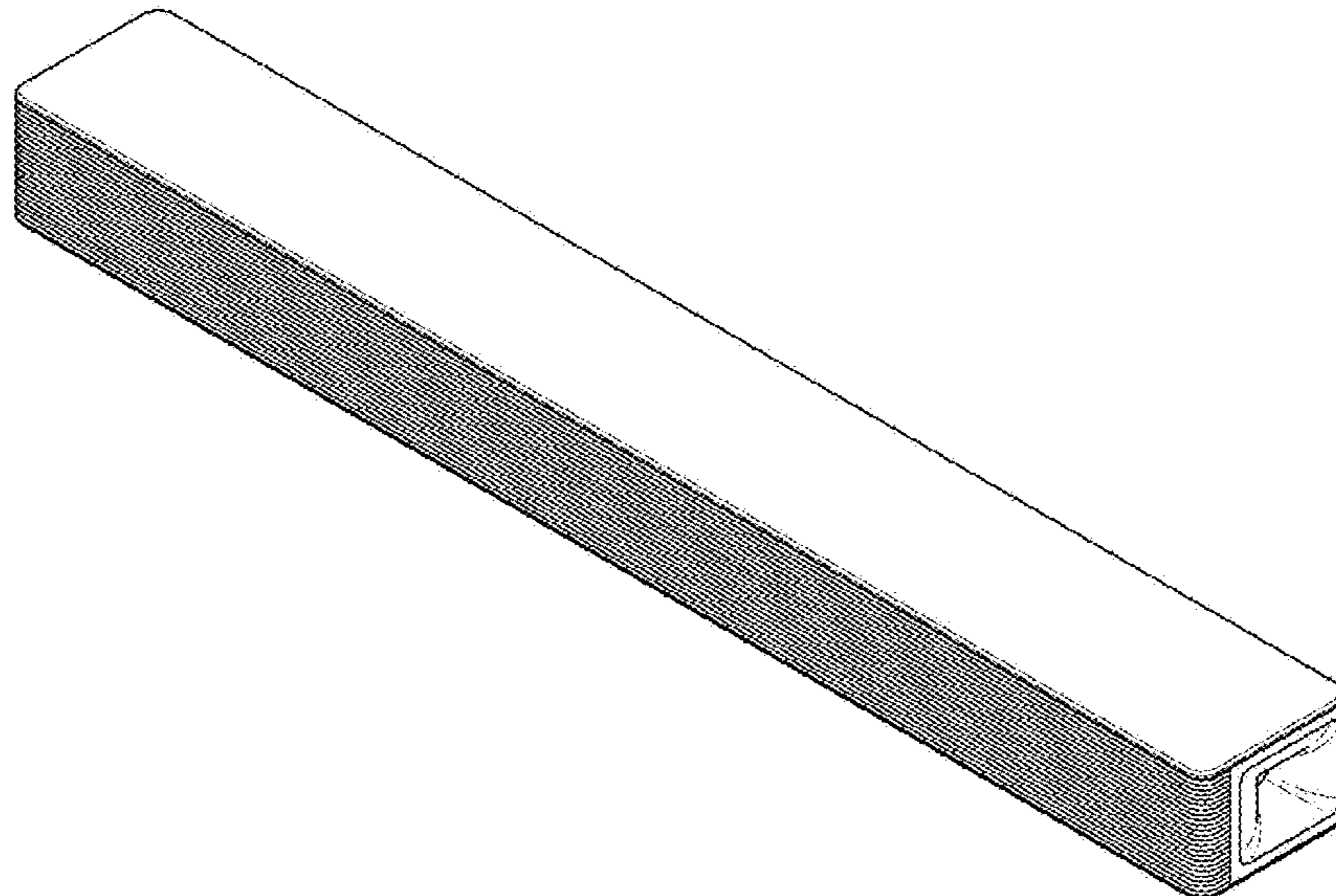
The ornamental design for a sound bar, as shown and described.

DESCRIPTION

- 1. Sound bar
- 1.1 : Perspective
- 1.2 : Front
- 1.3 : Back
- 1.4 : Left
- 1.5 : Right
- 1.6 : Top
- 1.7 : Bottom

The broken lines indicate portions of the article that form no part of the claimed design.

1 Claim, 7 Drawing Sheets



(56)

References Cited

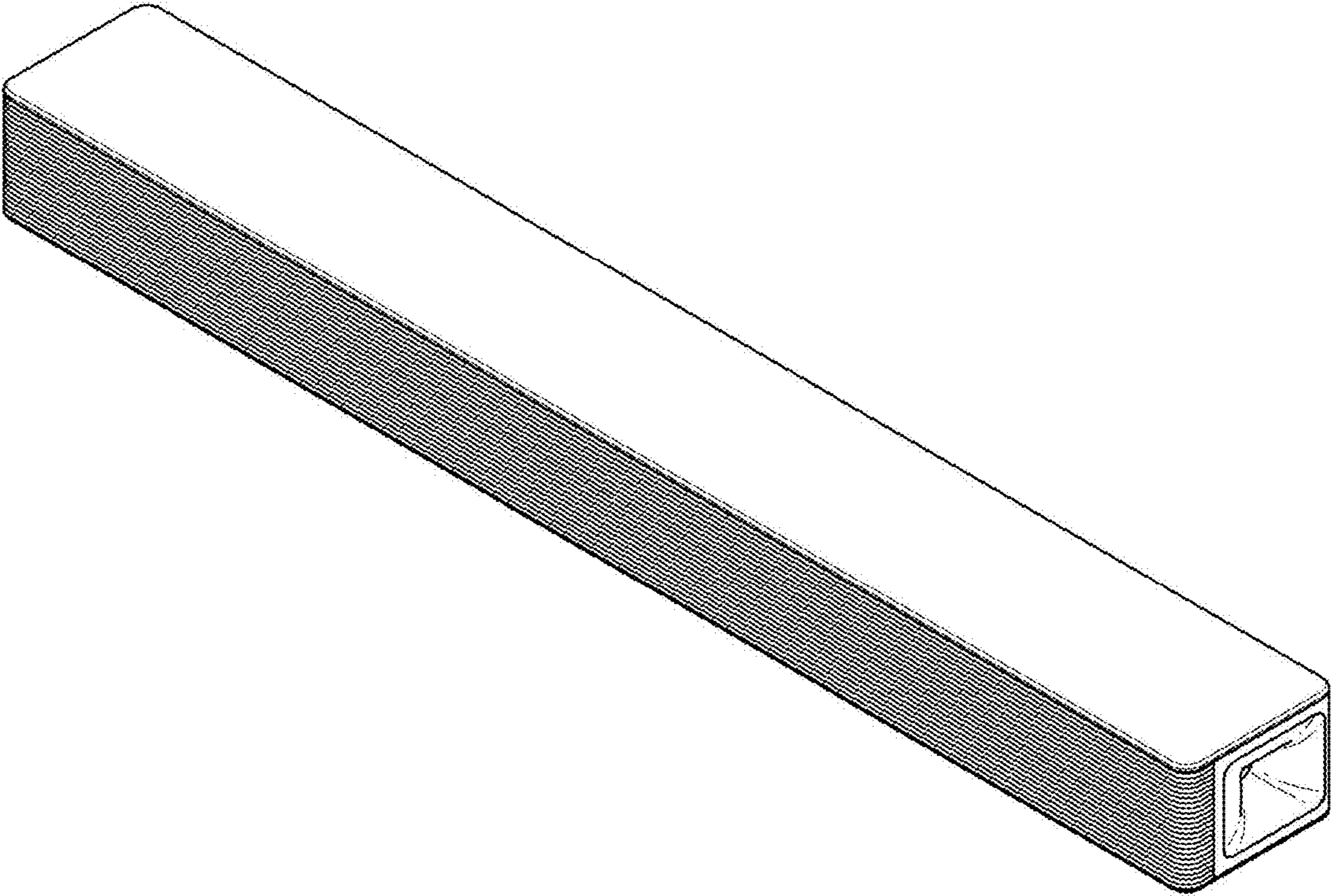
OTHER PUBLICATIONS

Harman Kardon Citation Bar soundbar review, publication date Sep. 21, 2019, [online] URL: <https://www.pocket-lint.com/speakers/reviews/149147-harman-kardon-citation-bar-review-soundbar> (Year: 2019).*

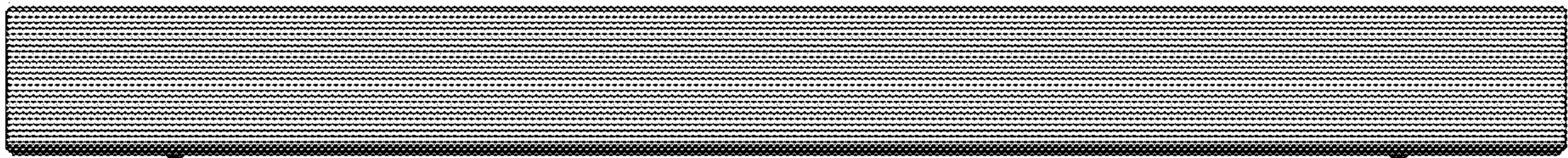
KMOUK TV Sound Bar, upload date Dec. 20, 2020, [online] URL: <https://www.amazon.com/Soundbar-KMOUK-Bluetooth-Equalizer-Connection/dp/B08R2NCQ3T> (Year: 2020).*

* cited by examiner

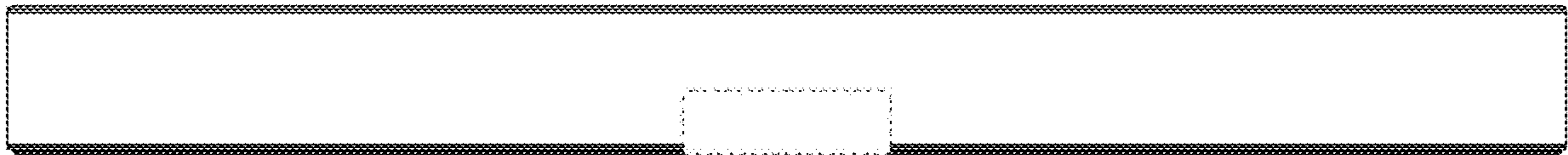
1.1



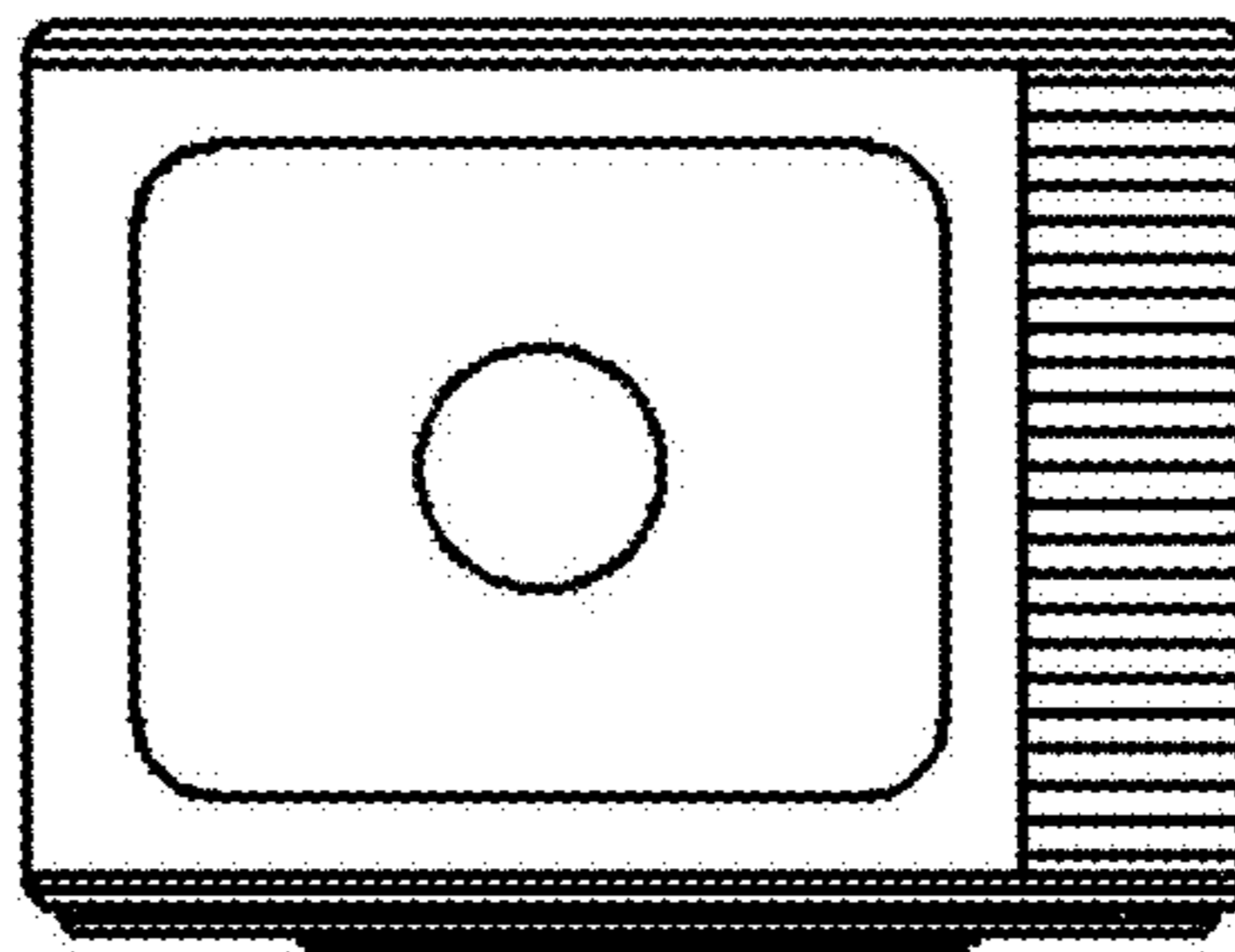
1.2



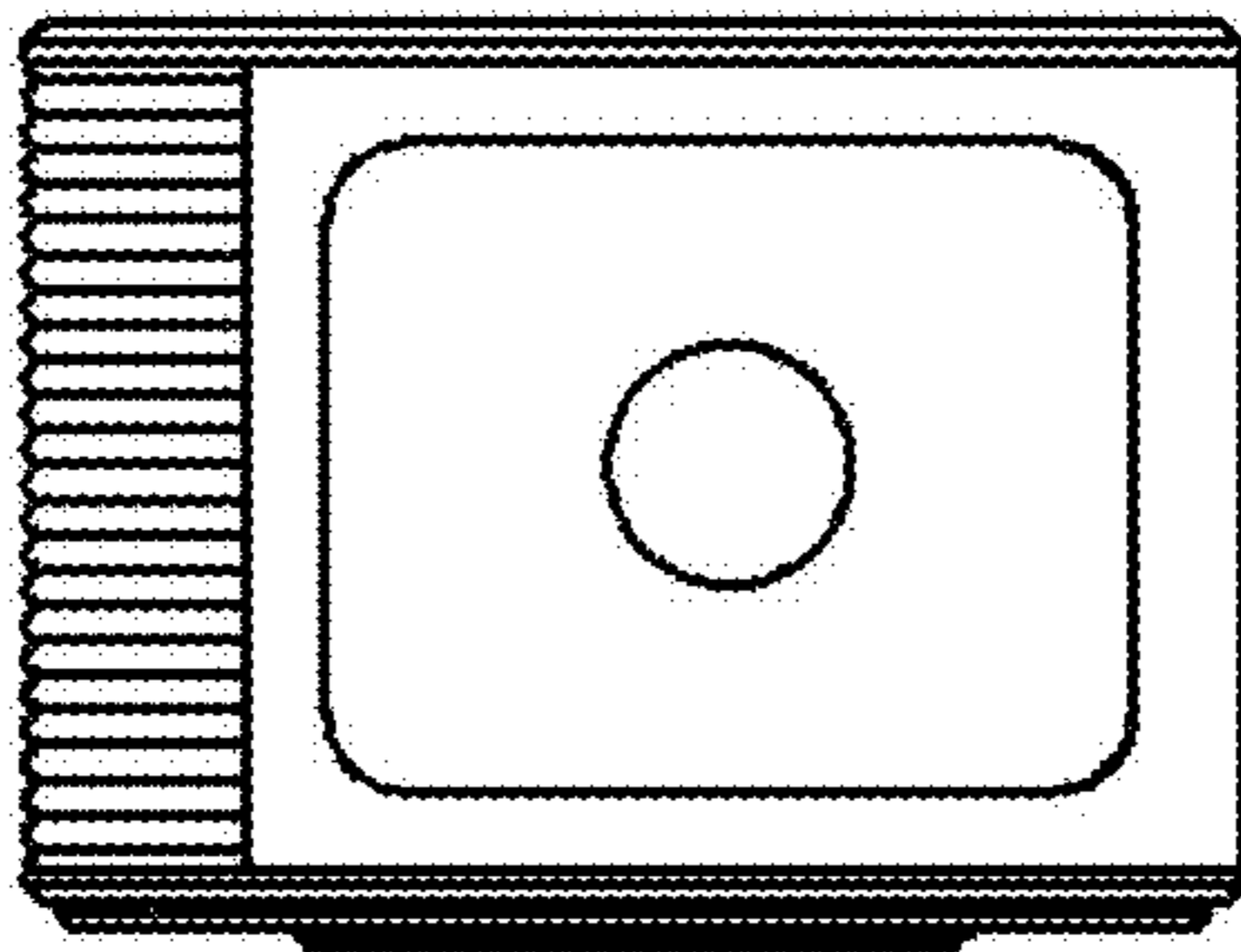
1.3



1.4



1.5



1.6



1.7

