



US00D936632S

(12) **United States Design Patent**
Zhong

(10) **Patent No.:** **US D936,632 S**

(45) **Date of Patent:** **** Nov. 23, 2021**

- (54) **WIRELESS HEADPHONE**
- (71) Applicant: **Dongsheng Zhong**, Guangdong (CN)
- (72) Inventor: **Dongsheng Zhong**, Guangdong (CN)
- (73) Assignee: **Shenzhen YAMAY digital electronics co. LTD**, Guangdong (CN)
- (**) Term: **15 Years**
- (21) Appl. No.: **29/726,694**
- (22) Filed: **Mar. 5, 2020**
- (51) **LOC (13) Cl.** **14-01**
- (52) **U.S. Cl.**
USPC **D14/205**
- (58) **Field of Classification Search**
USPC D14/205, 188, 192, 227, 228; D29/112;
2/209; 381/380, 381, 374, 74, 360, 163,
381/165, 357; 455/90.3, 575.1, 569.1;
181/158, 242
CPC H04R 25/00; H04R 25/02; H04R 1/1066;
H04R 1/1016; H04R 5/033; H04R
5/0335; H04R 1/10; H04R 1/105; H04R
1/1058; H04R 1/1091
See application file for complete search history.

7,172,052 B2 *	2/2007	Lenhard-Backhaus	H04R 1/1066
			181/129
D538,261 S *	3/2007	Taylor	D14/205
D544,464 S *	6/2007	Lee	D14/205
D584,715 S *	1/2009	Brennwald	D14/205
D588,098 S *	3/2009	Kurihara	D14/205
D594,847 S *	6/2009	Suzuki	D14/205
D600,674 S *	9/2009	Brennwald	D14/205
D604,266 S *	11/2009	Milde	D14/205
D639,776 S *	6/2011	Arimoto	D14/205
D656,125 S *	3/2012	Komiyama	D14/205
D665,775 S *	8/2012	Katsumata	D14/205
D675,595 S *	2/2013	Cho	D14/205
D684,140 S *	6/2013	Enquist	D14/205
D691,109 S *	10/2013	Hardi	D14/205
D704,161 S *	5/2014	Morimoto	H04R 1/1066
			D14/205

(Continued)

FOREIGN PATENT DOCUMENTS

EM	002615153-0001	*	1/2015
EM	006538716-0003	*	5/2019

Primary Examiner — Paula Allen Greene

(57) **CLAIM**

The ornamental design for a wireless headphone, as shown and described.

DESCRIPTION

FIG. 1 is a perspective view of a wireless headphone showing my new design;
 FIG. 2 is a front elevational view thereof;
 FIG. 3 is a rear elevational view thereof;
 FIG. 4 is a left side elevational view thereof;
 FIG. 5 is a right side elevational view thereof;
 FIG. 6 is a top plan view thereof;
 FIG. 7 is a bottom plan view thereof; and,
 FIG. 8 is a rear, right side perspective view thereof.
 The broken lines in the drawings depict portions of the wireless headphone that form no part of the claimed design.

1 Claim, 8 Drawing Sheets

(56) **References Cited**

U.S. PATENT DOCUMENTS

D297,324 S *	8/1988	Kohno	D14/205
D316,861 S *	5/1991	Yoda	D14/205
D318,669 S *	7/1991	Nakayama	D14/205
D328,461 S *	8/1992	Daido	D14/205
D373,360 S *	9/1996	Kanno	D14/205
D375,312 S *	11/1996	Kanno	D14/205
D377,021 S *	12/1996	Isono	D14/205
D484,485 S *	12/2003	Matsuoka	D14/205
D502,938 S *	3/2005	Tokioka	D14/205
D532,407 S *	11/2006	Motoishi	D14/205



(56)

References Cited

U.S. PATENT DOCUMENTS

D706,241 S * 6/2014 Szymanski H04R 1/1066
 D14/205
 D706,242 S * 6/2014 Yang H04R 1/1066
 D14/205
 D707,653 S * 6/2014 Hardi H04R 1/10
 D14/205
 D708,163 S * 7/2014 Ishikura D14/205
 D712,375 S * 9/2014 Miyake D14/205
 D712,872 S * 9/2014 Yuen D14/205
 8,861,766 B2 * 10/2014 Ouryouji H04R 1/1058
 381/370
 D727,289 S * 4/2015 Czaniecki D14/205
 D728,512 S * 5/2015 Nakagawa D14/205
 D729,194 S * 5/2015 Boeckel D14/205
 D733,090 S * 6/2015 Petersen D14/205
 D745,859 S * 12/2015 Kiuchi D14/205
 D750,593 S * 3/2016 Hardi H04R 1/10
 D14/205

D759,626 S * 6/2016 Wagner D14/205
 D763,223 S * 8/2016 Czaniecki D14/205
 D777,701 S * 1/2017 Czaniecki D14/205
 D837,764 S * 1/2019 Xiao D14/205
 D852,164 S * 6/2019 Mei D14/205
 D855,579 S * 8/2019 Clark D14/205
 D858,481 S * 9/2019 Saule D14/205
 D883,967 S * 5/2020 Huang D14/240
 D886,078 S * 6/2020 He D14/206
 D897,309 S * 9/2020 Cho D14/205
 D910,594 S * 2/2021 Chen D14/206
 2016/0080853 A1 * 3/2016 Chen H04R 1/1083
 381/74
 2018/0220224 A1 * 8/2018 Chute H04R 1/105
 2018/0268837 A1 * 9/2018 Ganeshkumar H04R 5/033
 2019/0230429 A1 * 7/2019 Bozaglo H04R 5/0335
 2020/0252710 A1 * 8/2020 Bottoni H04R 1/1008
 2020/0389719 A1 * 12/2020 Morris H04R 1/1066
 2021/0067856 A1 * 3/2021 Kato H04R 5/033

* cited by examiner



FIG. 1



FIG. 2



FIG. 3

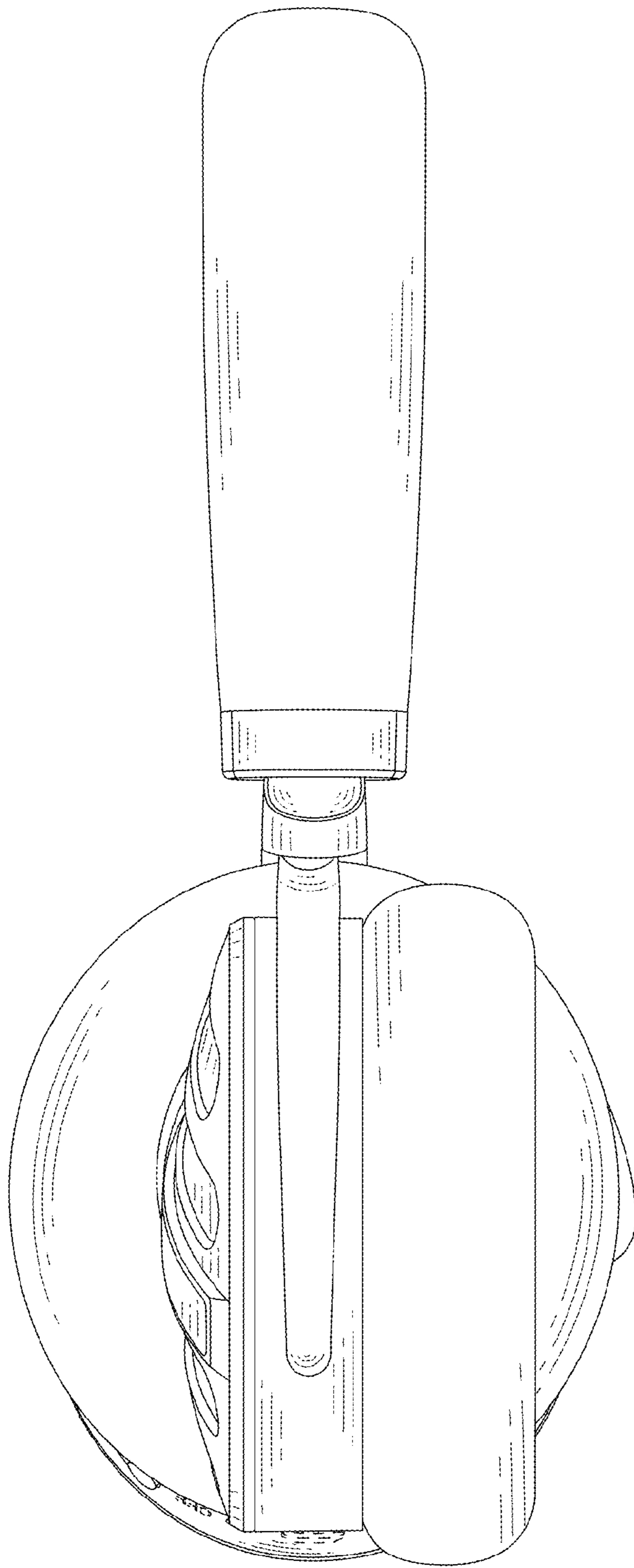


FIG. 4

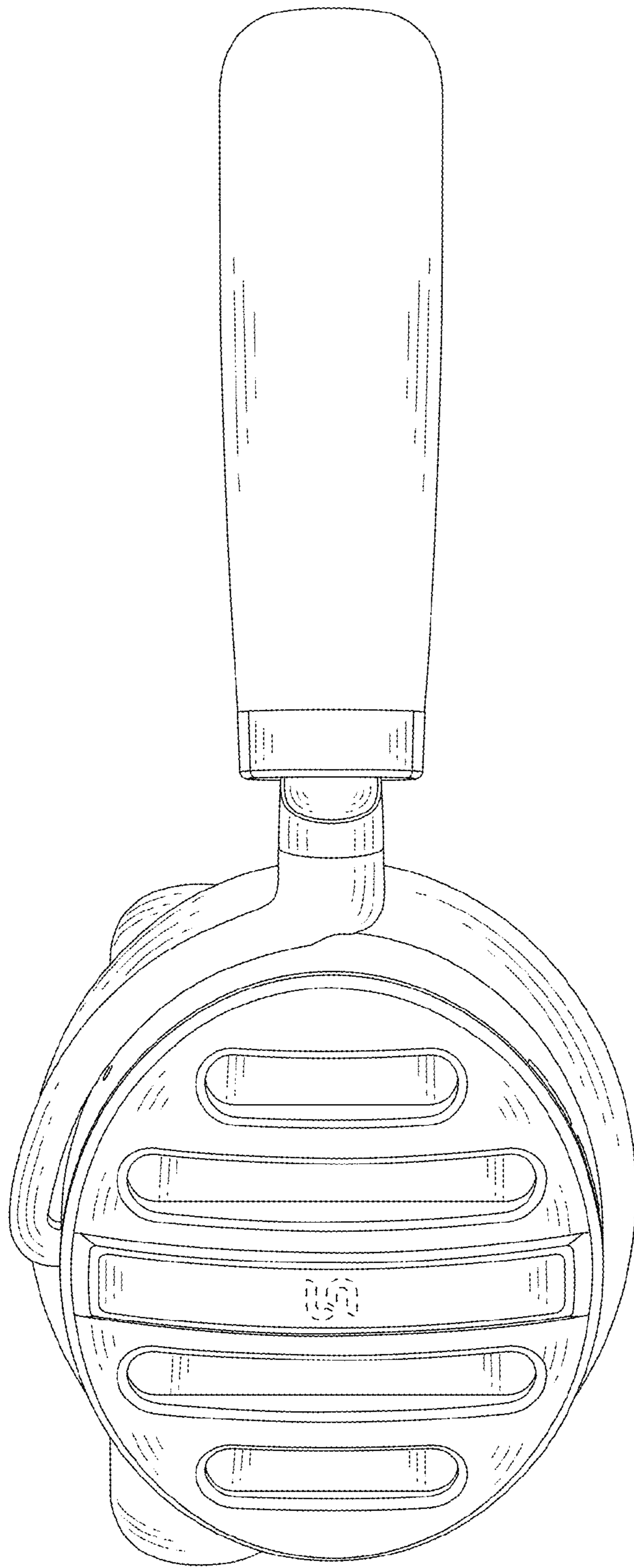


FIG. 5

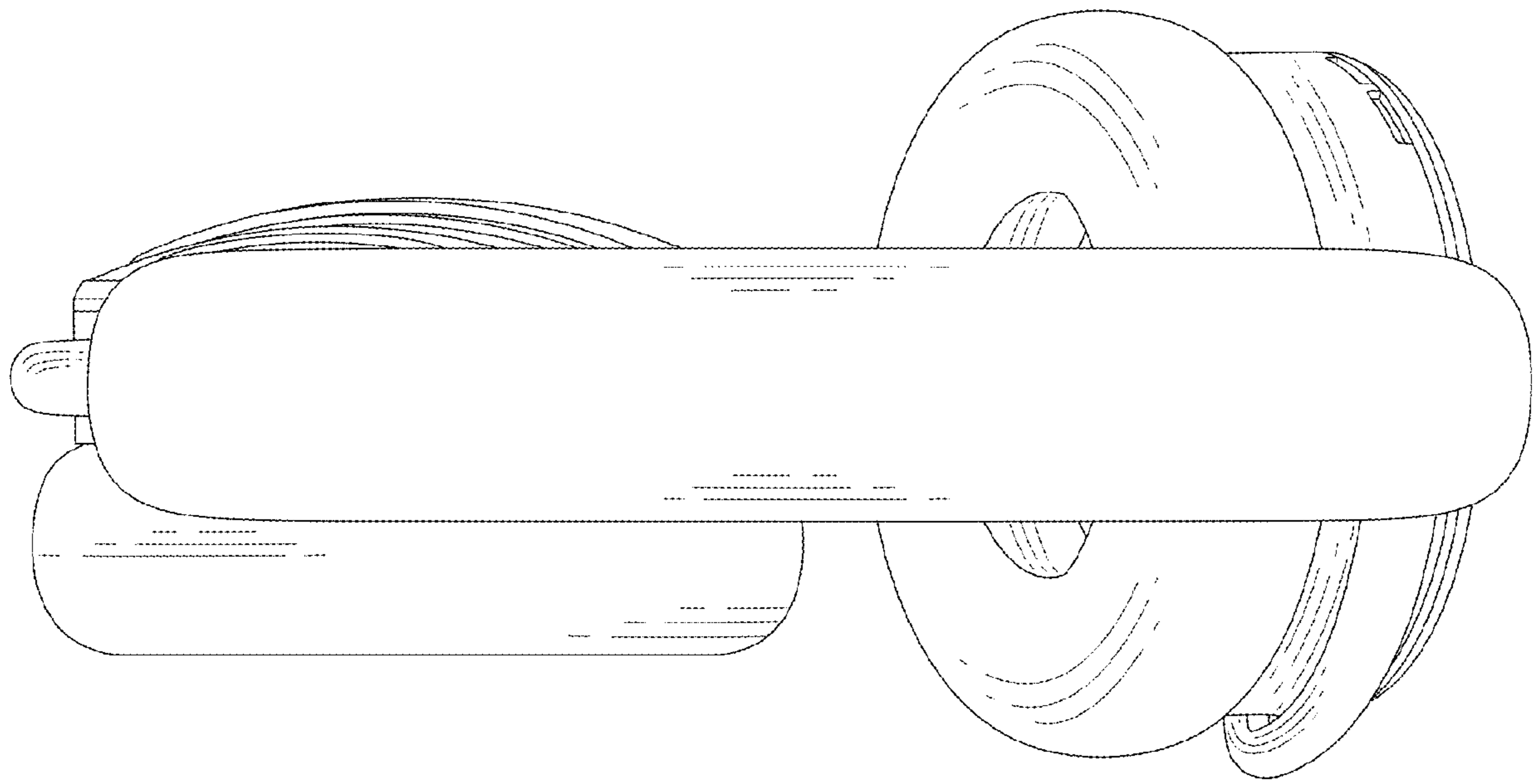


FIG. 6

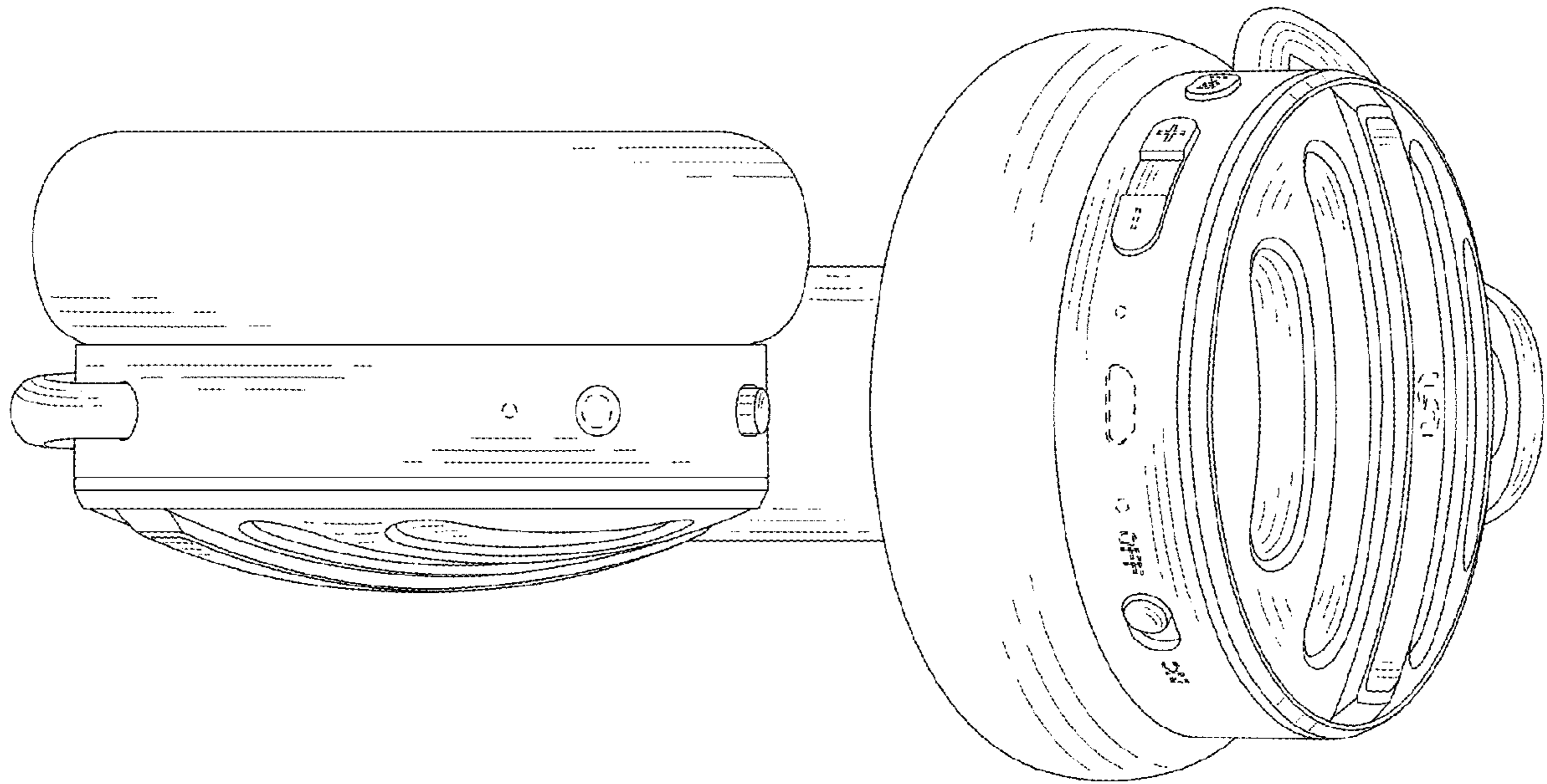


FIG. 7



FIG. 8