



US00D936631S

(12) **United States Design Patent**
Qin et al.

(10) **Patent No.:** **US D936,631 S**

(45) **Date of Patent:** **** Nov. 23, 2021**

(54) **HEADPHONE**

(71) Applicant: **Shenzhen Aukey Smart Information Technology Co., Ltd., Shenzhen (CN)**

(72) Inventors: **Peng Qin, Shenzhen (CN); Haizhuan Lu, Shenzhen (CN)**

(73) Assignee: **Shenzhen Aukey Smart Information Technology Co., Ltd., Shenzhen (CN)**

(**) Term: **15 Years**

(21) Appl. No.: **29/718,856**

(22) Filed: **Dec. 30, 2019**

(51) **LOC (13) Cl.** **14-01**

(52) **U.S. Cl.**
USPC **D14/205**

(58) **Field of Classification Search**
USPC D14/205, 188, 192; D29/112; 2/209;
381/380, 381, 374; 455/90.3, 575.1,
455/569.1

CPC H04R 25/00; H04R 25/02; H04R 1/1066;
H04R 1/1016; H04R 5/033; H04R
5/0335; H04R 1/10

See application file for complete search history.

(56) **References Cited**

U.S. PATENT DOCUMENTS

D328,074 S *	7/1992	Yamazaki	D14/205
D538,261 S *	3/2007	Taylor	D14/205
D585,871 S *	2/2009	Lee	D14/205
D594,847 S *	6/2009	Suzuki	D14/205
D600,674 S *	9/2009	Brennwald	D14/205
D603,370 S *	11/2009	Suzuki	D14/205
D616,865 S *	6/2010	Marchand	D14/205
D642,554 S *	8/2011	Schaal	D14/205
8,098,872 B2 *	1/2012	Chang	H04R 1/1075 381/371
D662,080 S *	6/2012	Carr	D14/205

D665,775 S *	8/2012	Katsumata	D14/205
D666,992 S *	9/2012	Lee	D14/205
D668,633 S *	10/2012	Enquist	D14/205
D677,243 S *	3/2013	Kitayama	D14/205
D683,329 S *	5/2013	Hagelin	D14/205
D684,559 S *	6/2013	Groset	D14/205
D691,579 S *	10/2013	Lee	D14/205
D695,261 S *	12/2013	Katsumata	D14/205
D706,240 S *	6/2014	Szymanski	H04R 1/1066 D14/205
D706,241 S *	6/2014	Szymanski	H04R 1/1066 D14/205
D719,135 S *	12/2014	Kelley	D14/205

(Continued)

FOREIGN PATENT DOCUMENTS

EM	003754977-0006	*	2/2017
EM	006368080-0001	*	4/2019

(Continued)

Primary Examiner — Paula Allen Greene

(74) *Attorney, Agent, or Firm* — Westbridge IP LLC

(57) **CLAIM**

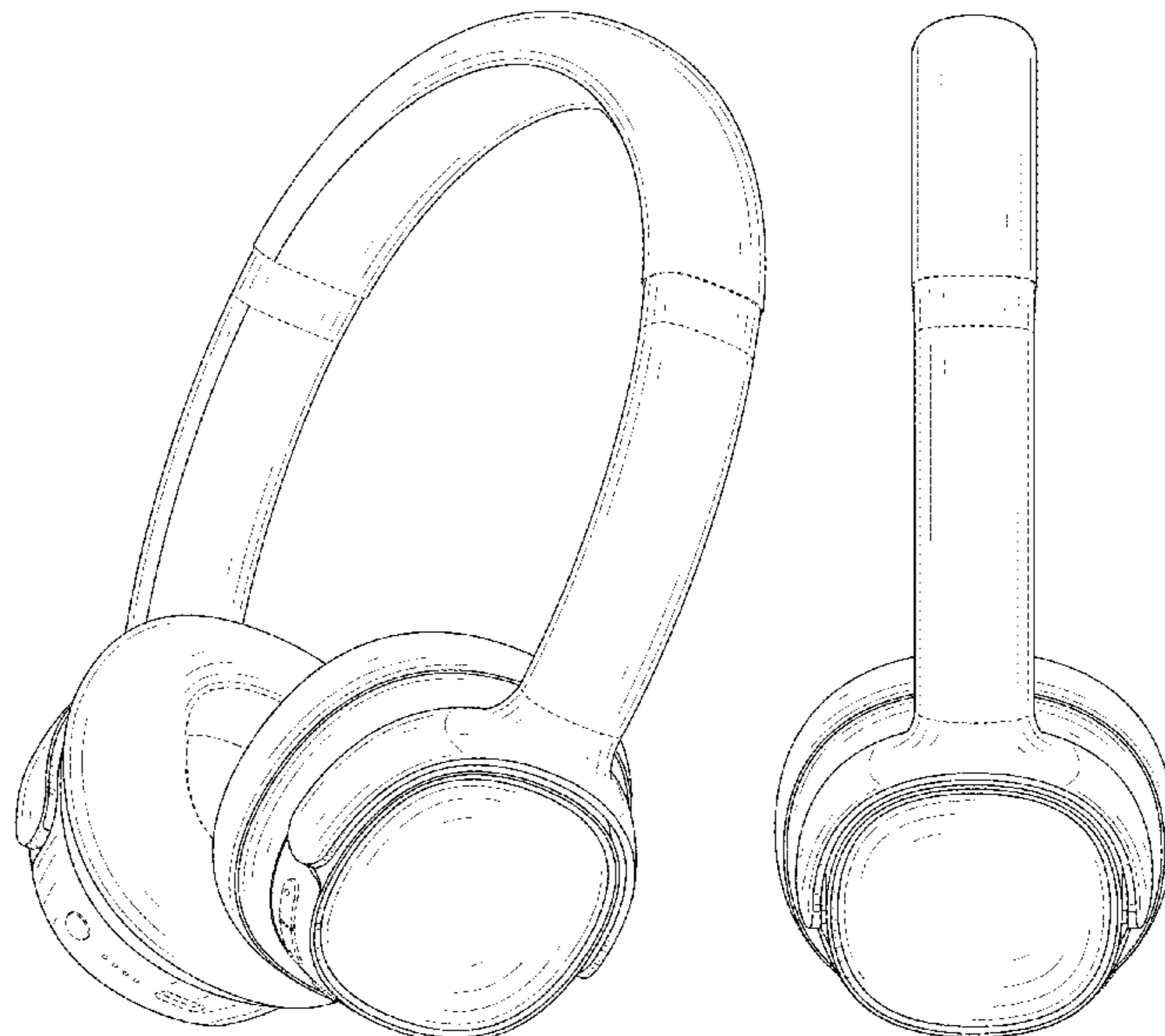
The ornamental design for a headphone, as shown and described.

DESCRIPTION

FIG. 1 is a front, right, bottom perspective view of a headphone showing our new design; FIG. 2 is a front elevational view thereof; FIG. 3 is a rear elevational view thereof; FIG. 4 is a left side view thereof; FIG. 5 is a right side view thereof; FIG. 6 is a top plan view thereof; and, FIG. 7 is a bottom plan view thereof.

The broken lines immediately adjacent the shaded areas represent the bounds of the claimed design while all other broken lines are directed to environment; the broken lines form no part of the claimed design.

1 Claim, 7 Drawing Sheets



(56)

References Cited

U.S. PATENT DOCUMENTS

D719,136 S * 12/2014 Schaal D14/206
 D721,052 S * 1/2015 Carr D14/205
 D722,998 S * 2/2015 Sancho D14/205
 D729,194 S * 5/2015 Boeckel D14/205
 D733,092 S * 6/2015 Gan D14/205
 D734,297 S * 7/2015 Sasaki D14/205
 D737,799 S * 9/2015 Carr D14/205
 D739,842 S * 9/2015 Birger D14/205
 D741,289 S * 10/2015 Schaal D14/205
 9,161,117 B2 * 10/2015 Blonder H04R 1/1066
 D758,337 S * 6/2016 Szymanski D14/205
 D767,531 S * 9/2016 Szymanski D14/205
 D787,470 S * 5/2017 Kelly D14/205
 D809,475 S * 2/2018 Dryden D14/205
 D811,365 S * 2/2018 Czaniecki D14/205
 D814,439 S * 4/2018 Birath D14/205
 D817,303 S * 5/2018 Tragatschnig D14/205
 10,015,580 B1 * 7/2018 Bruno H04R 5/033
 D826,895 S * 8/2018 Sharp D14/205
 D840,370 S * 2/2019 Kelly D14/205
 D854,511 S * 7/2019 Yashiro D14/205
 D859,354 S * 9/2019 Xia D14/205
 D868,731 S * 12/2019 Jung D14/205
 D869,437 S * 12/2019 Hu D14/205
 D879,742 S * 3/2020 Hu D14/205
 D887,391 S * 6/2020 Chong D14/205

D888,008 S * 6/2020 Yook D14/205
 D892,078 S * 8/2020 He D14/205
 D892,079 S * 8/2020 Wu D14/205
 D901,436 S * 11/2020 Peng D14/205
 D905,004 S * 12/2020 Nakayama D14/205
 D907,003 S * 1/2021 Liu D14/205
 D907,598 S * 1/2021 Mei D14/205
 D908,663 S * 1/2021 Tamamura D14/205
 D909,988 S * 2/2021 Vaclavik D14/205
 D909,991 S * 2/2021 Nakayama D14/205
 D918,867 S * 5/2021 Chong D14/205
 D923,600 S * 6/2021 Shibukawa D14/205
 2013/0343591 A1 * 12/2013 Brunner H04R 1/1075
 381/371
 2014/0254854 A1 * 9/2014 Blonder H04R 1/1066
 381/371
 2014/0363016 A1 * 12/2014 Blonder H04R 1/1041
 381/74
 2018/0270556 A1 * 9/2018 Kelley H04R 1/1008

FOREIGN PATENT DOCUMENTS

EM 006597175-0001 * 6/2019
 EM 007434089-0005 * 12/2019
 EM 007437249-0003 * 12/2019
 GB 9006563276-0001 * 6/2019
 JP D1455296 * 10/2012

* cited by examiner



FIG. 1



FIG. 2



FIG. 3

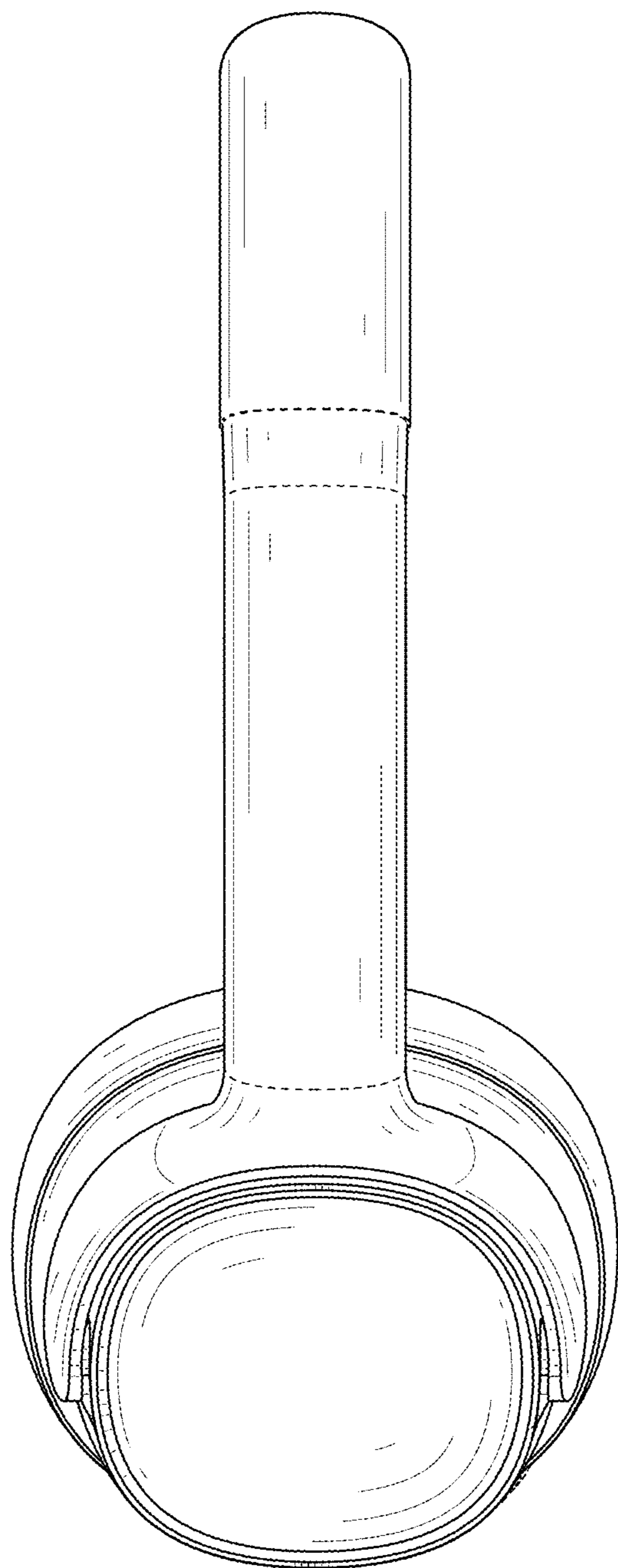


FIG. 4

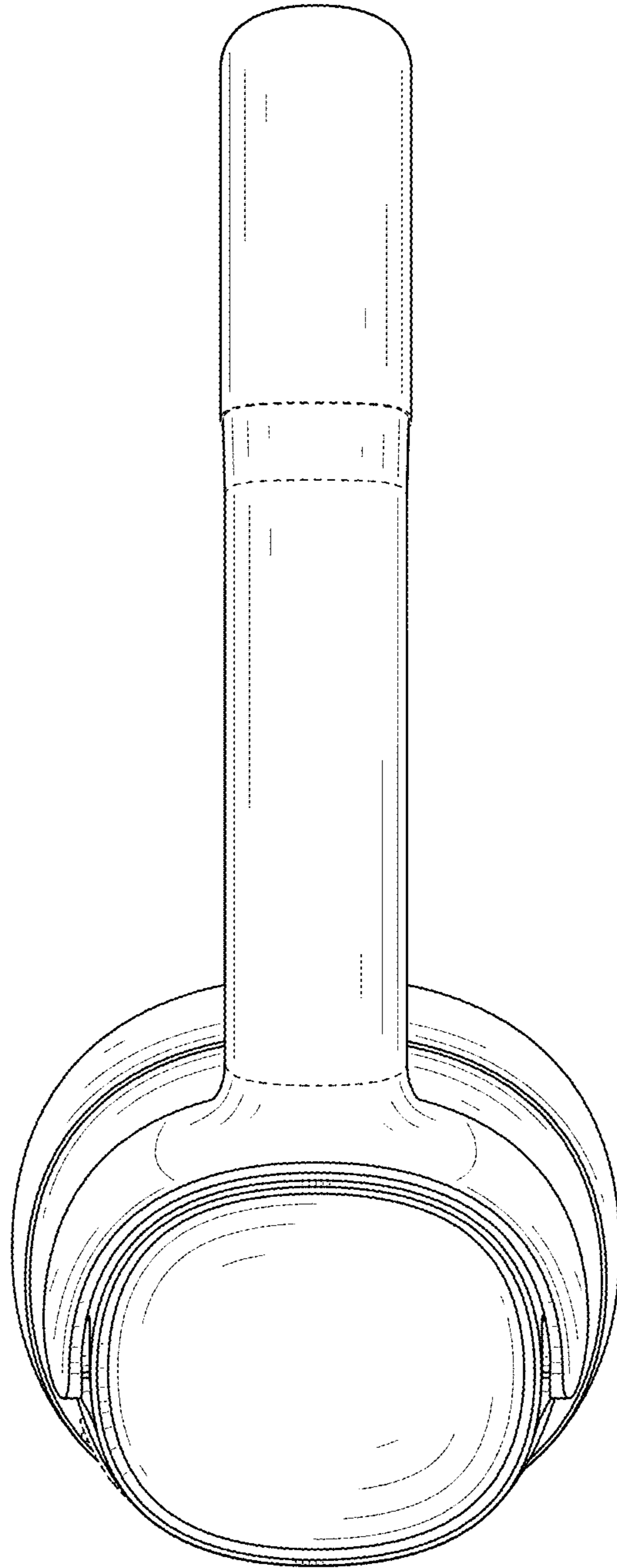


FIG. 5

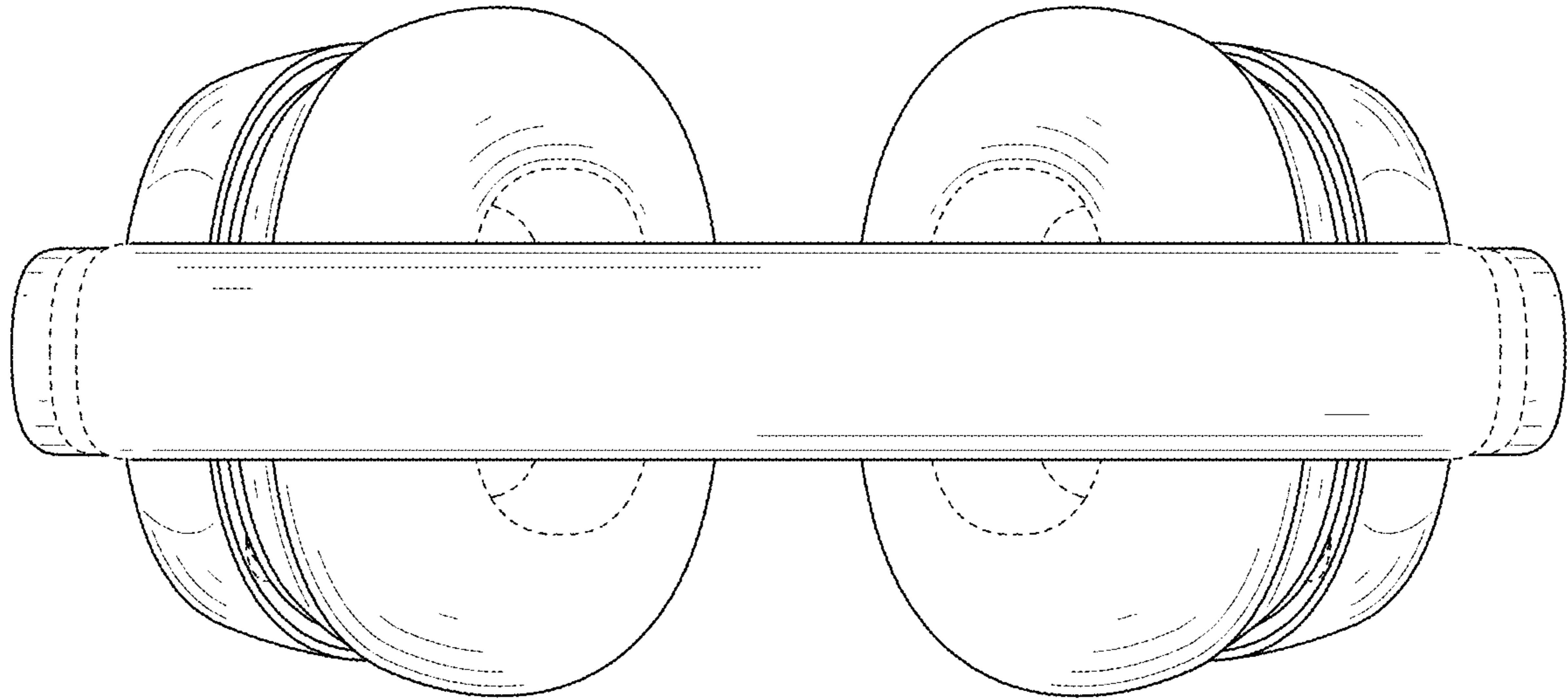


FIG. 6

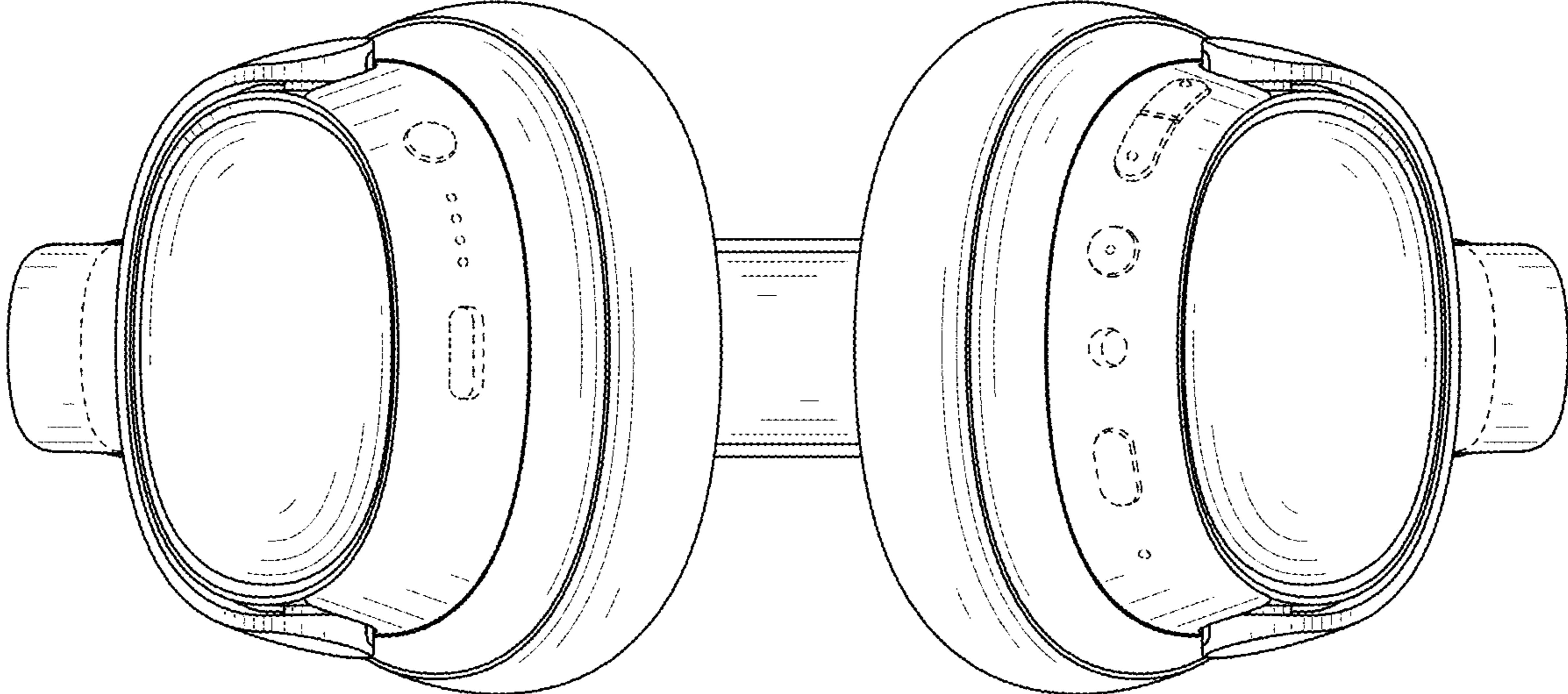


FIG. 7