



US00D936629S

(12) **United States Design Patent**
Lu

(10) **Patent No.:** **US D936,629 S**

(45) **Date of Patent:** **** Nov. 23, 2021**

(54) **MULTIFUNCTION RADIO**

(71) Applicant: **SHENZHEN BOHEYA TECHNOLOGY CO., LTD.**, Shenzhen (CN)

(72) Inventor: **Yuxiao Lu**, Yichun (CN)

(73) Assignee: **SHENZHEN BOHEYA TECHNOLOGY CO., LTD.**, Shenzhen (CN)

(**) Term: **15 Years**

(21) Appl. No.: **29/768,394**

(22) Filed: **Jan. 29, 2021**

(51) **LOC (13) Cl.** **14-03**

(52) **U.S. Cl.**
USPC **D14/155**

(58) **Field of Classification Search**
USPC D14/167, 154, 168, 188, 496, 156, 160, D14/161, 162, 163, 164, 165, 158, 341, D14/346, 342, 345, 137, 155, 218, 225; D16/208; D26/38; 455/351, 350; D10/104.1, 106, 65
CPC H04B 1/385; H04M 1/6091; H04M 1/6066
See application file for complete search history.

(56) **References Cited**

U.S. PATENT DOCUMENTS

D327,886 S * 7/1992 Yan D14/137
D479,889 S 9/2003 Poon

D523,838 S 6/2006 Lee
D585,048 S * 1/2009 Uchimura D14/155
D609,687 S * 2/2010 Lyman D14/155
D655,267 S * 3/2012 Daniel D14/137
D659,668 S * 5/2012 Neumann D14/155
D816,058 S * 4/2018 Zeng D14/155
D860,154 S * 9/2019 Hu D14/155
D868,019 S * 11/2019 Clinton D14/155
D906,999 S * 1/2021 Chen D14/155
D912,006 S * 3/2021 Xiang D14/155

* cited by examiner

Primary Examiner — Austin Murphy

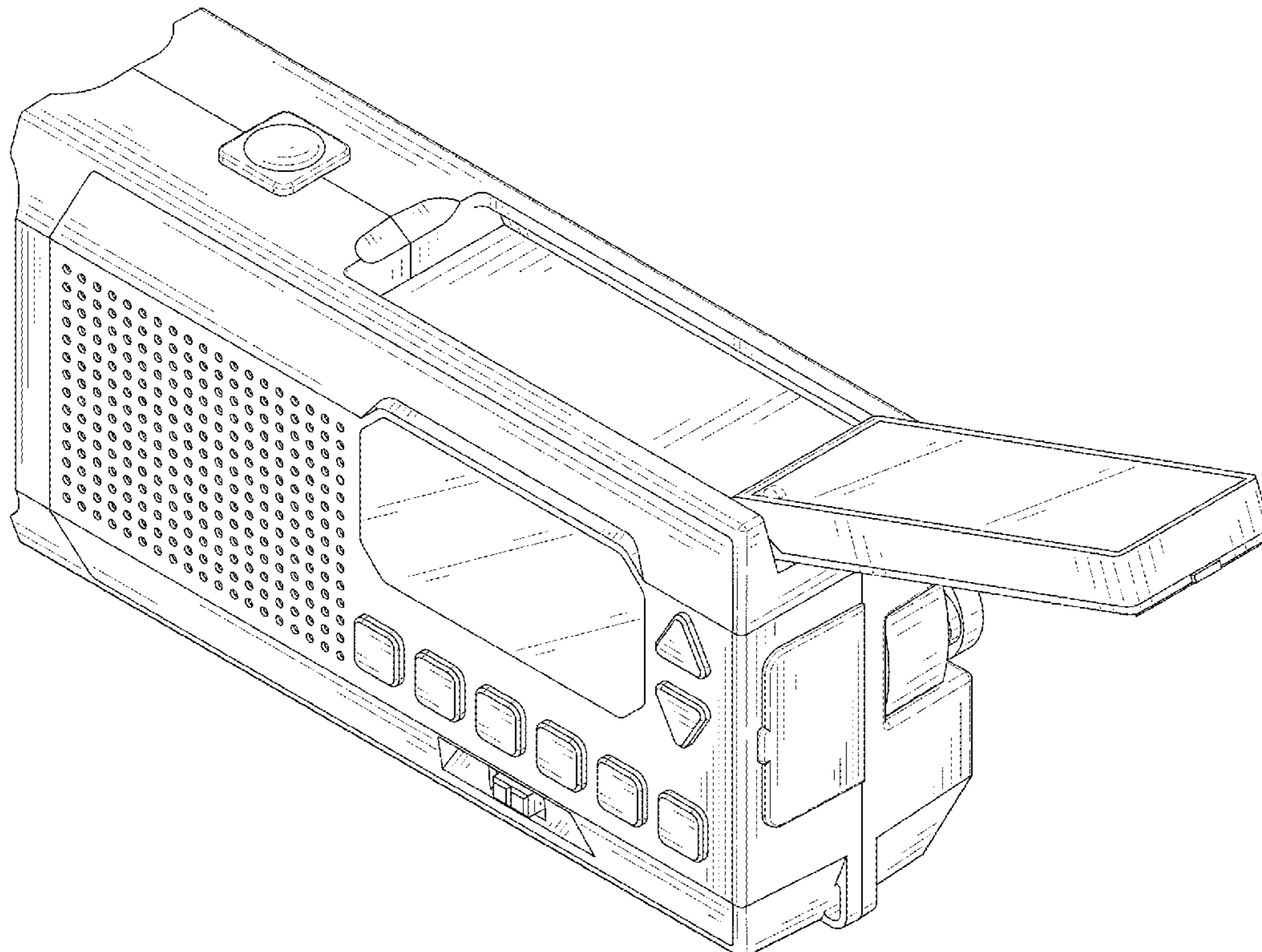
(57) **CLAIM**

The ornamental design for a multifunction radio, as shown and described.

DESCRIPTION

FIG. 1 is a perspective view of a multifunction radio showing my new design;
FIG. 2 is another perspective view thereof;
FIG. 3 is a front elevational view thereof;
FIG. 4 is a rear elevational view thereof;
FIG. 5 is a left side elevational view thereof;
FIG. 6 is a right side elevational view thereof;
FIG. 7 is a top plan view thereof;
FIG. 8 is a bottom plan view thereof; and,
FIG. 9 is a perspective view of the multifunction radio where the multifunction radio is in a configuration of use.
The broken lines in the drawings depict portions of the multifunction radio that form no part of the claimed design.

1 Claim, 9 Drawing Sheets



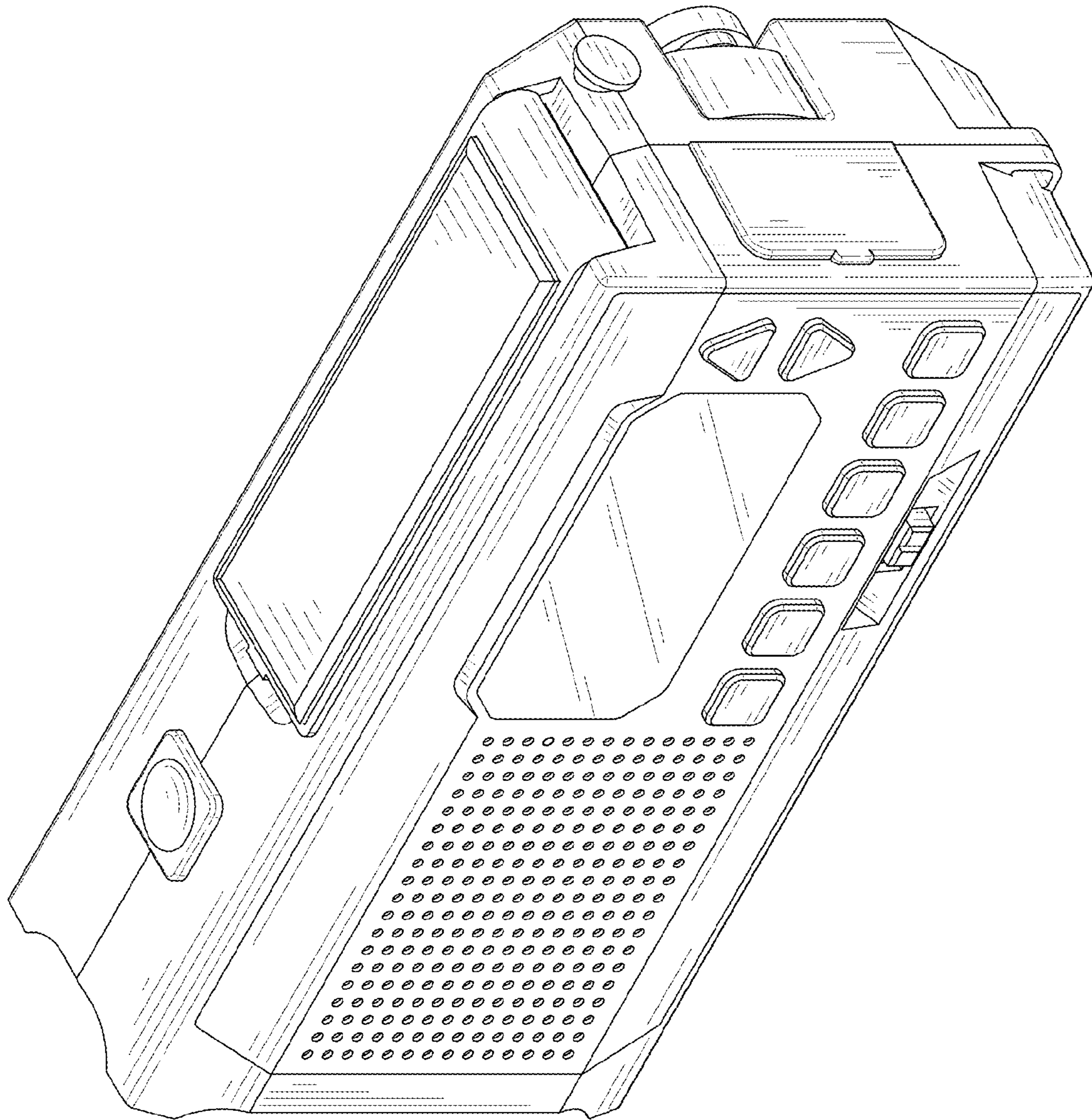


FIG. 1

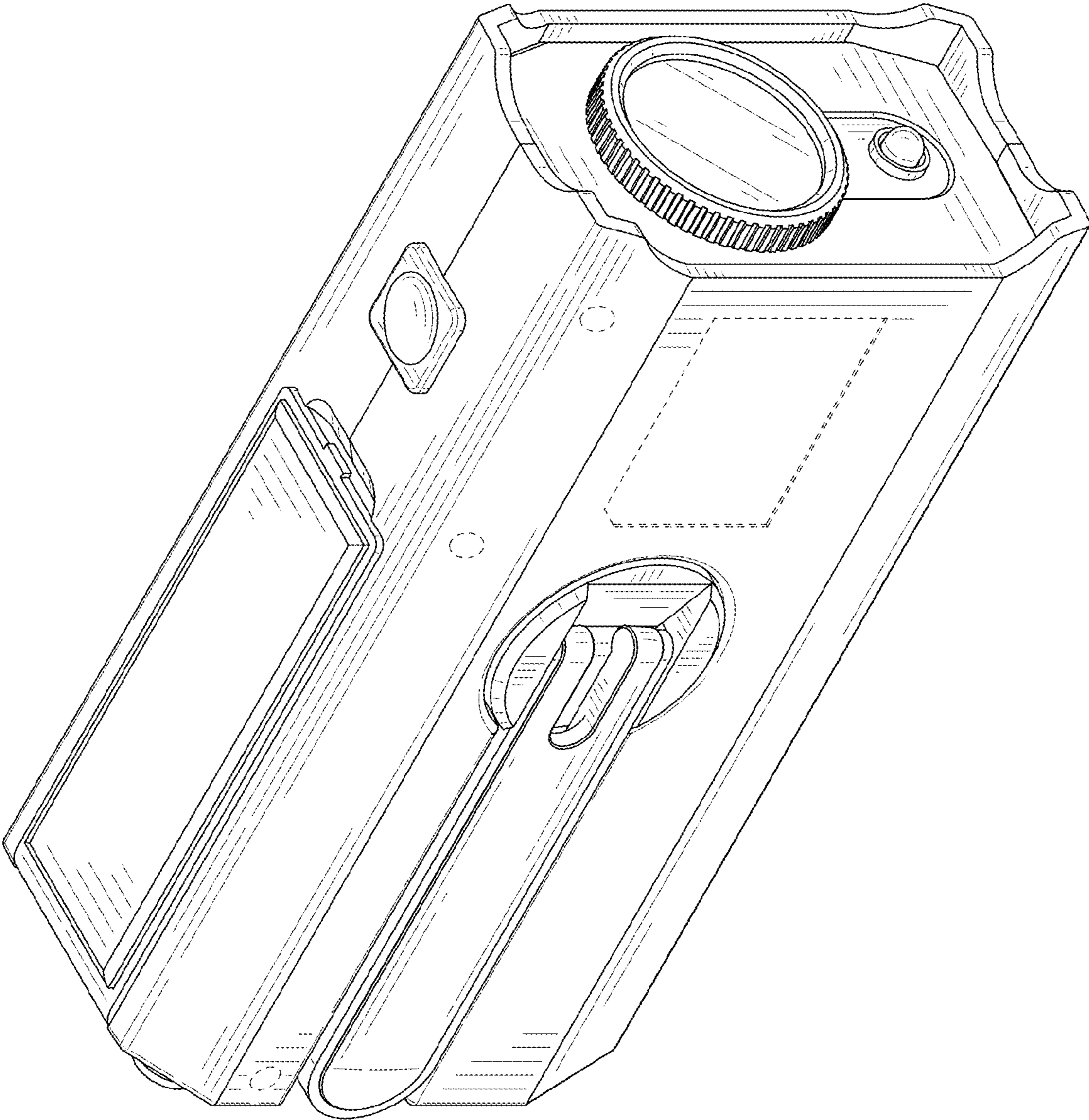


FIG. 2

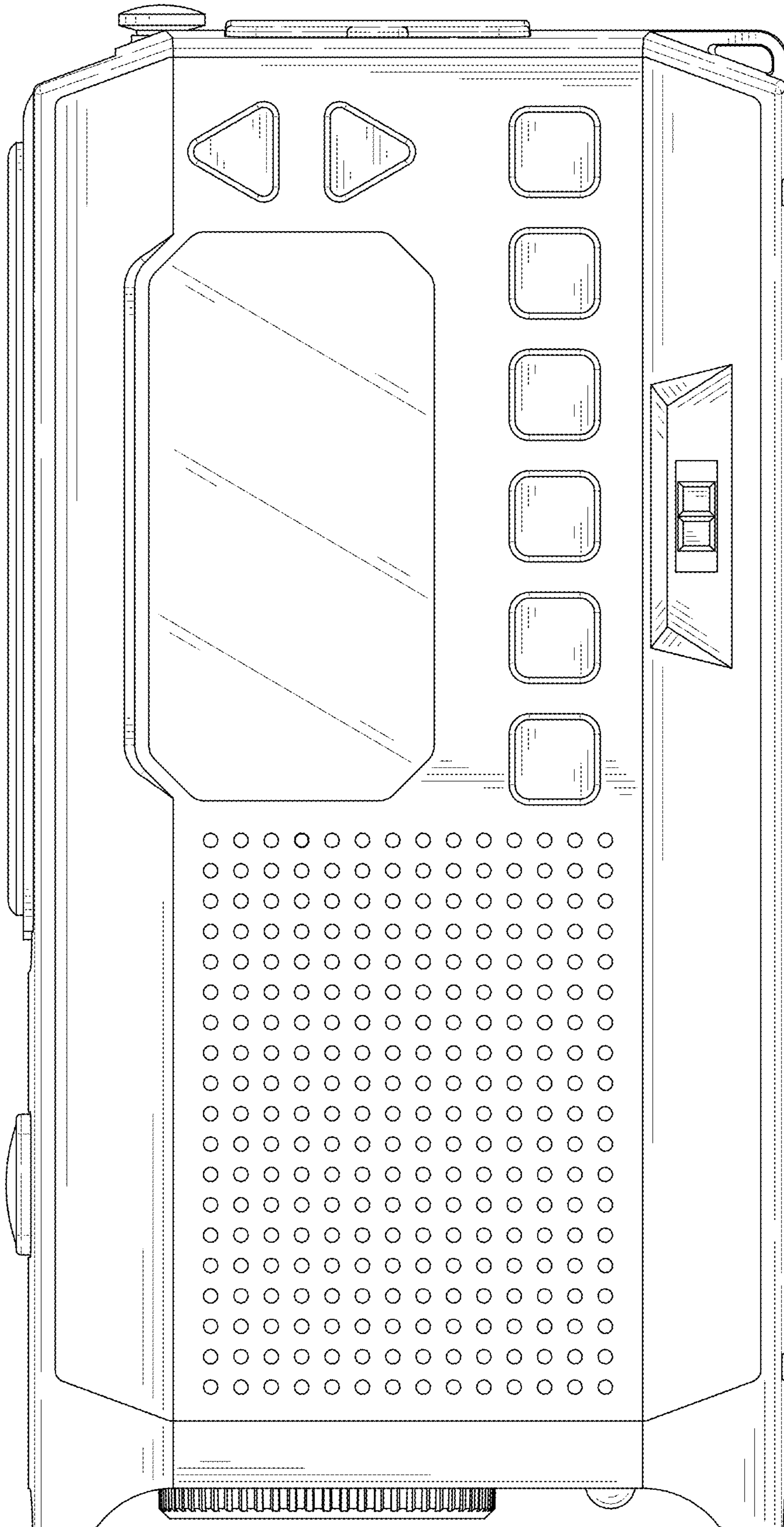


FIG. 3

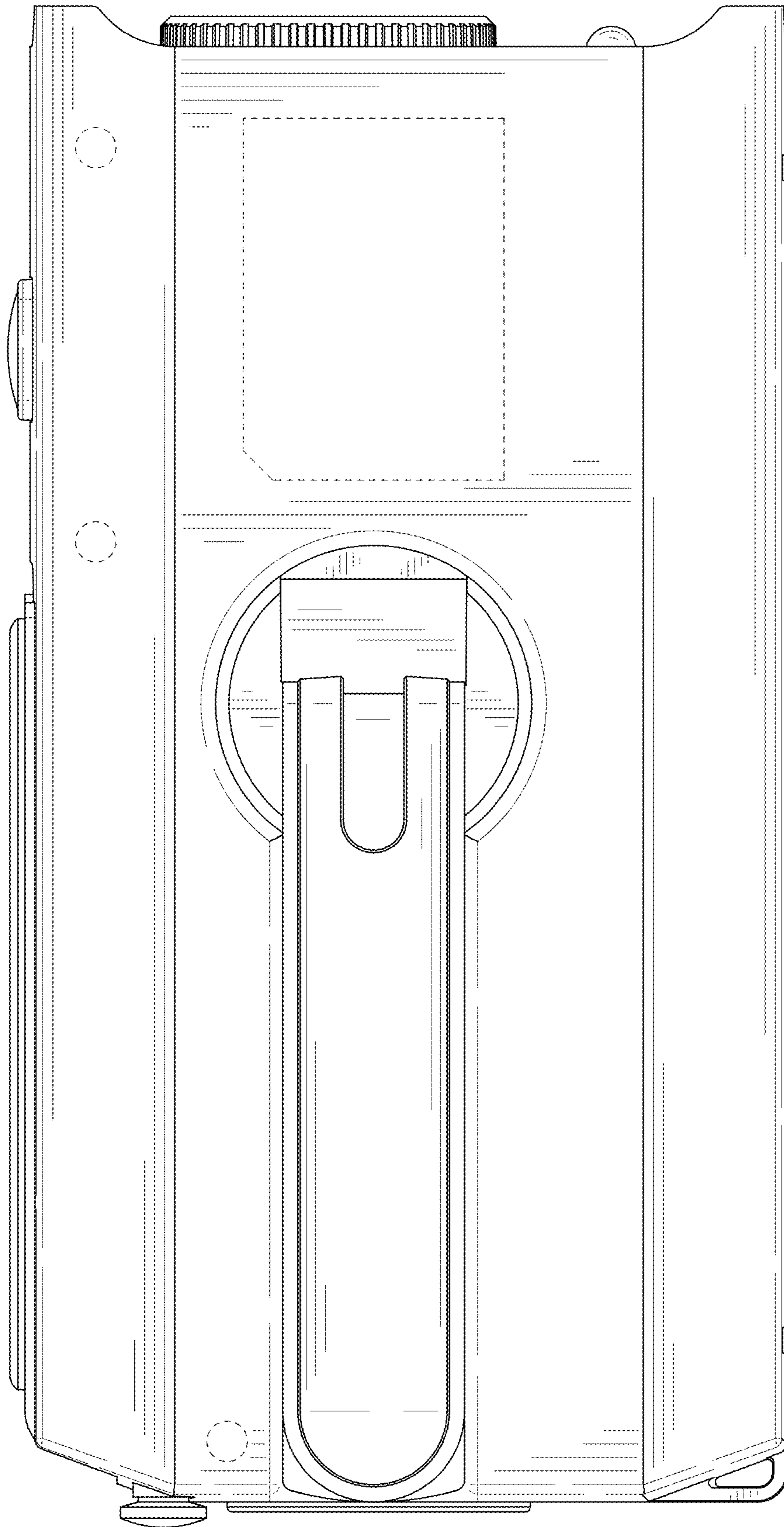


FIG. 4

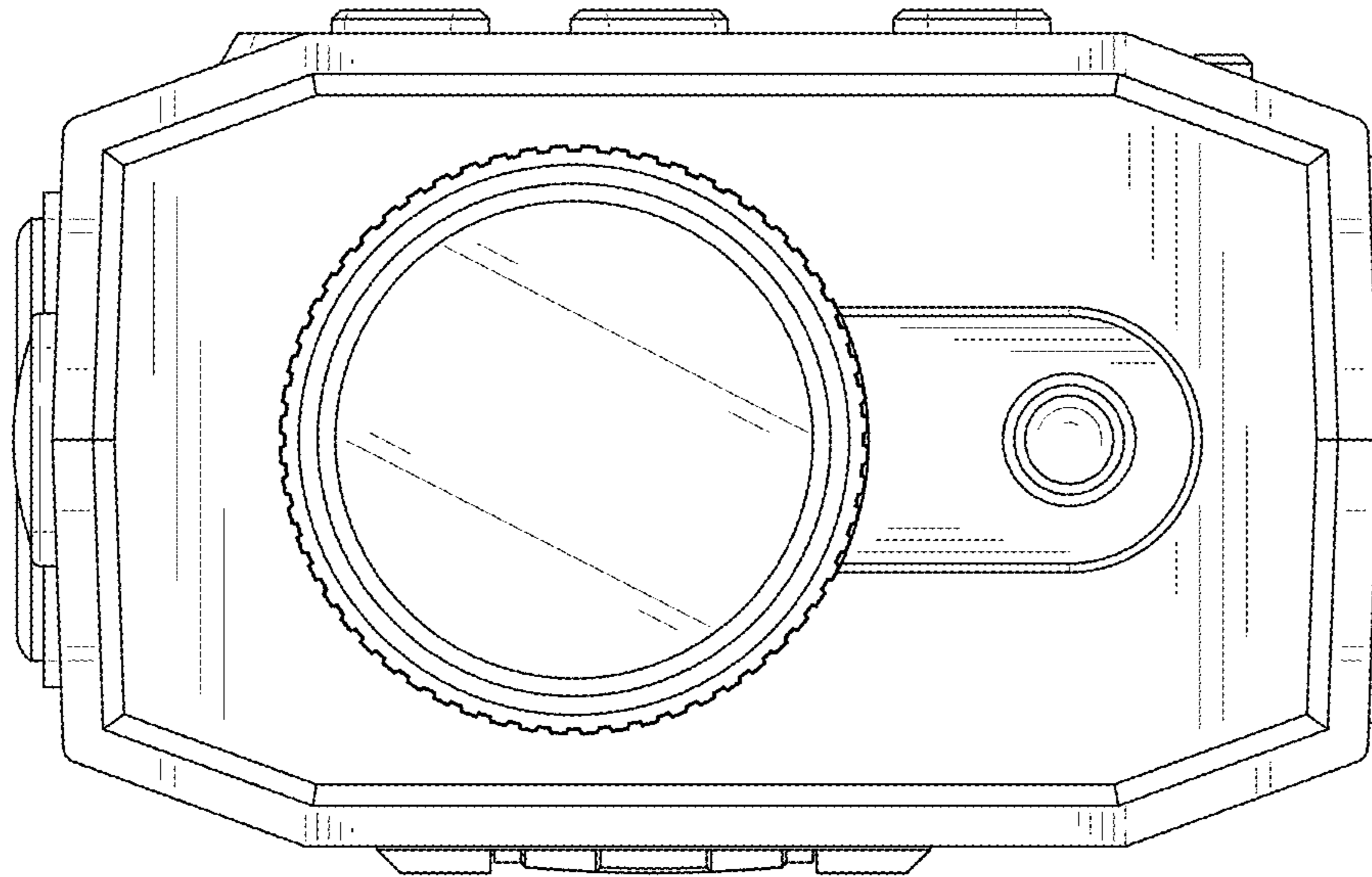


FIG. 5

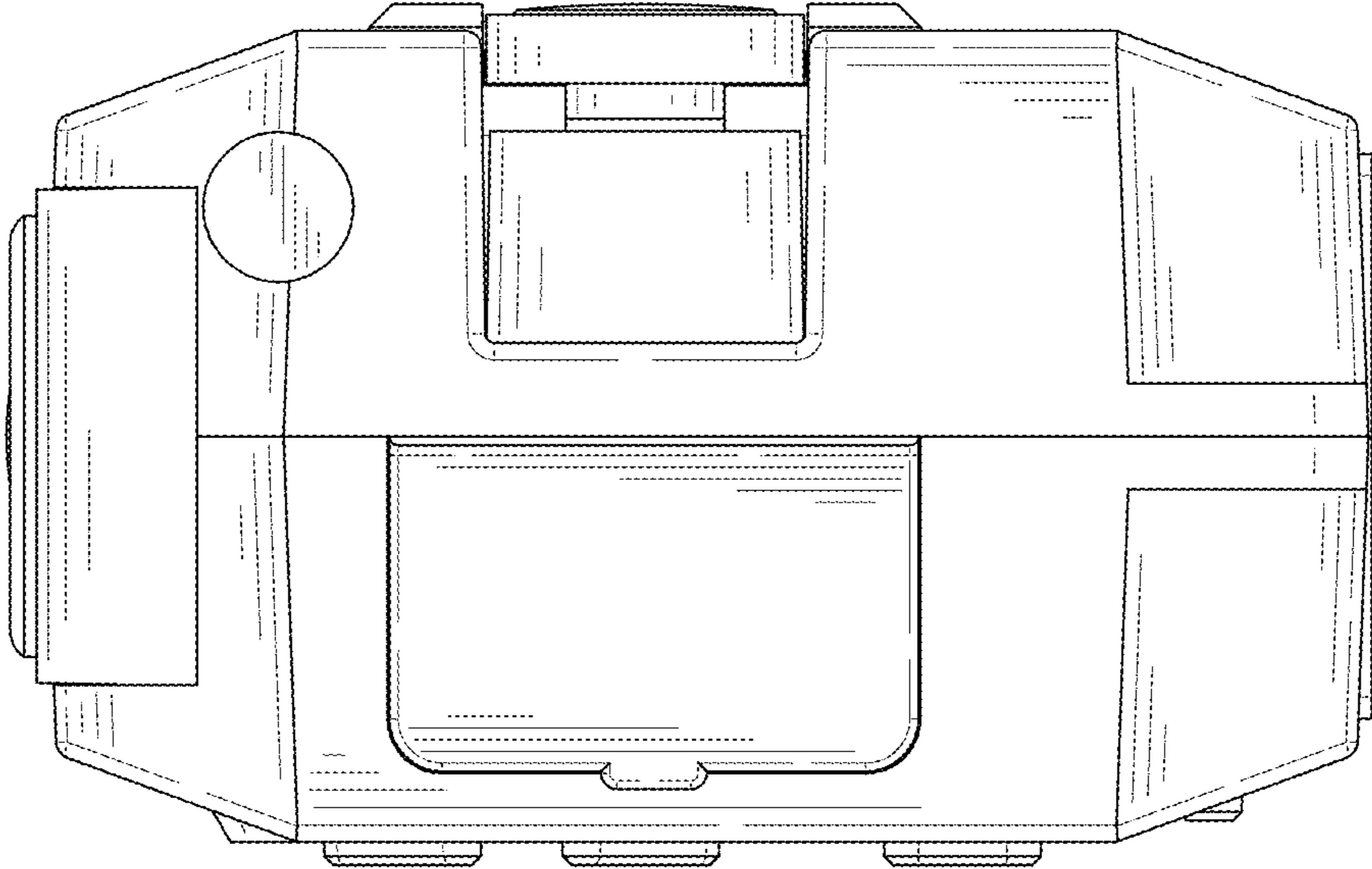


FIG. 6

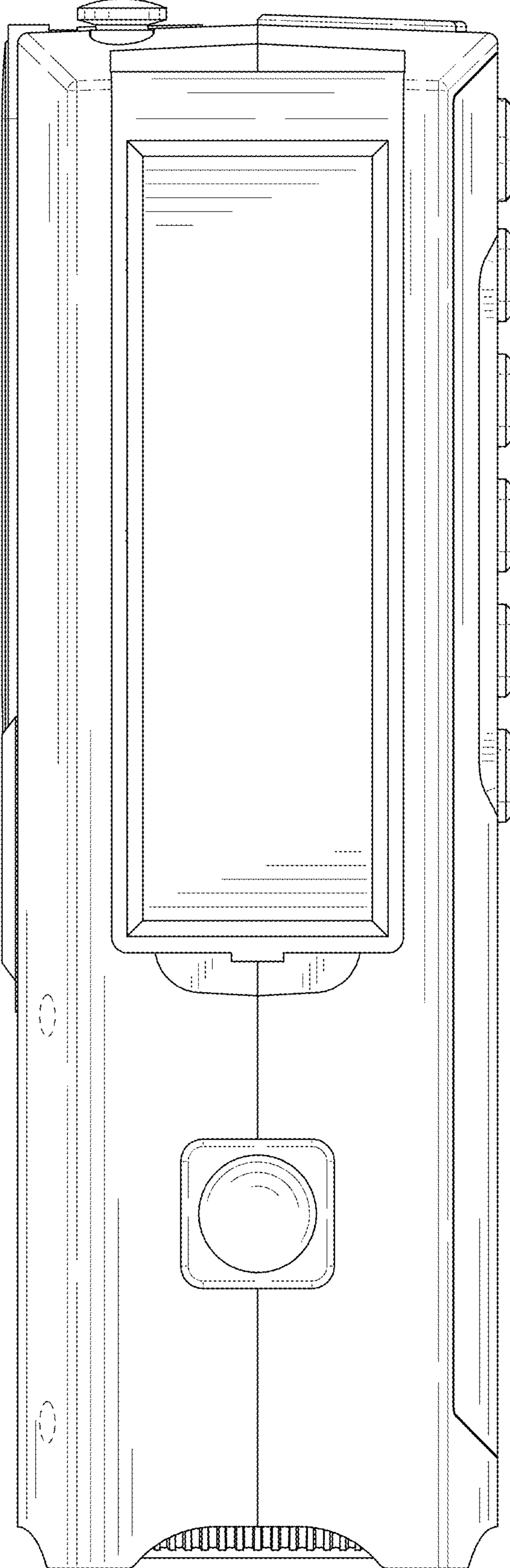


FIG. 7

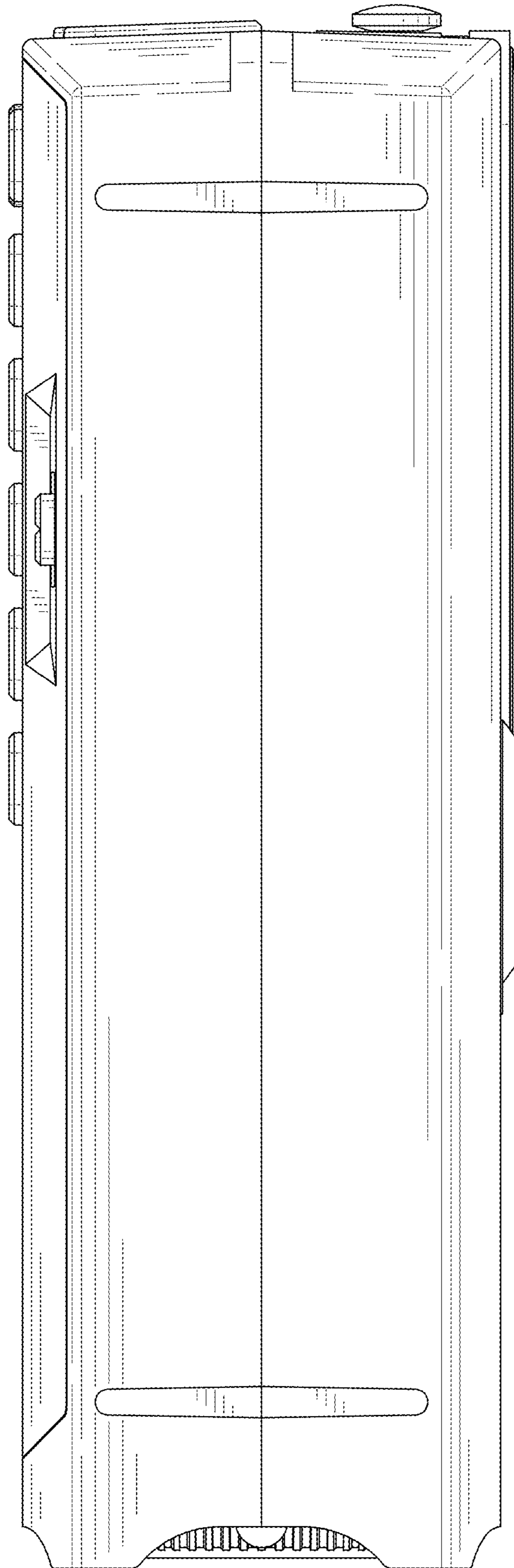


FIG. 8

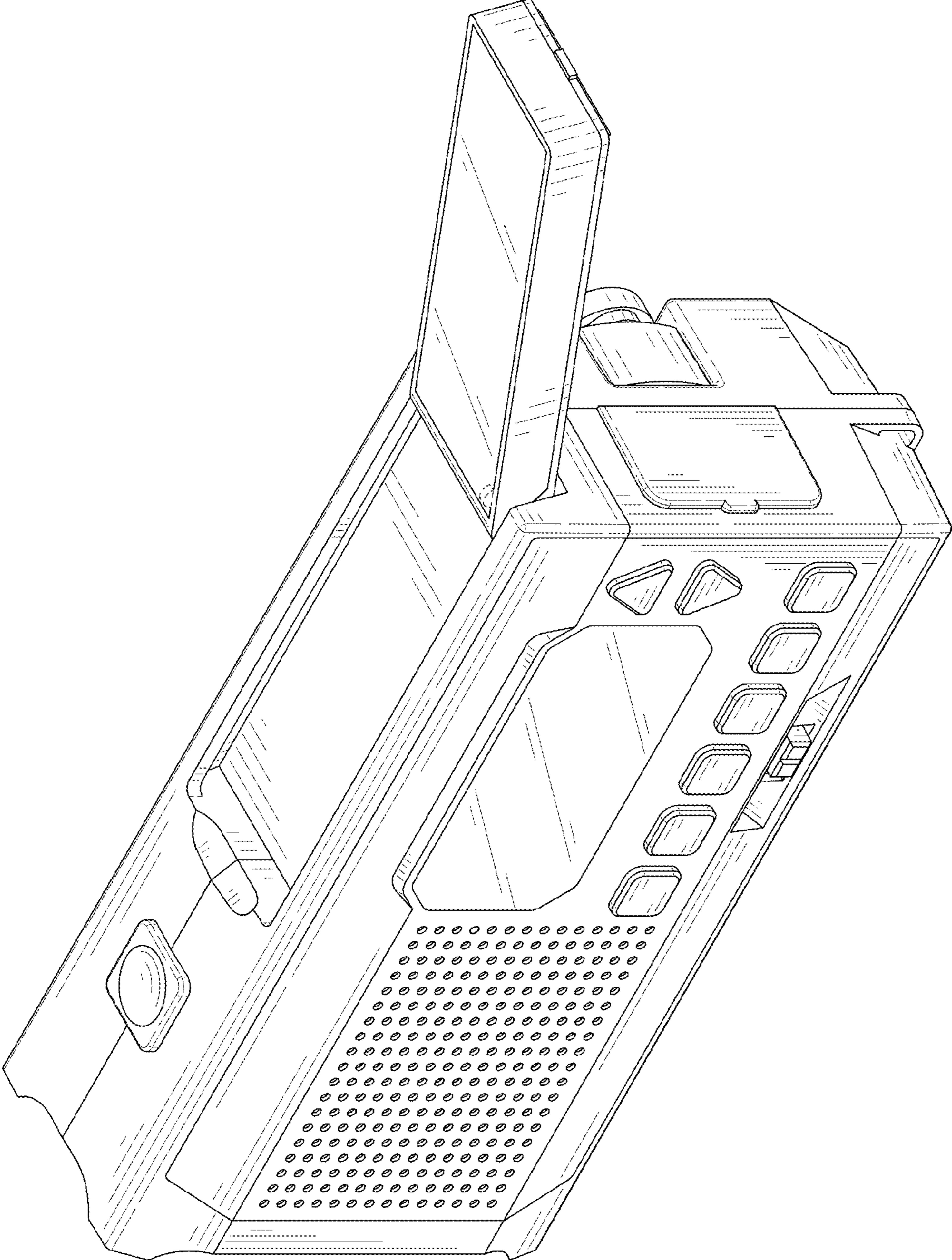


FIG. 9